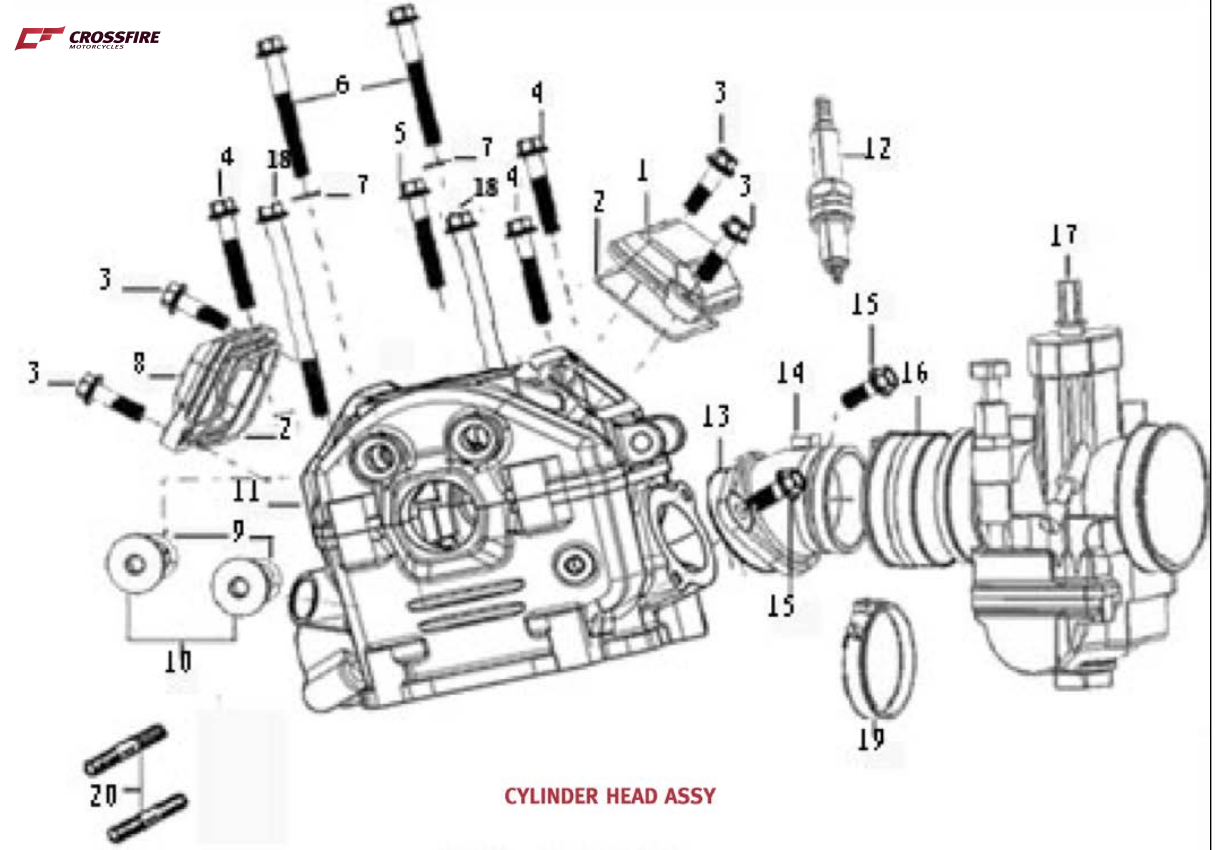


Evo 3 250cc Water-Cooled 4 Valve Engine Parts

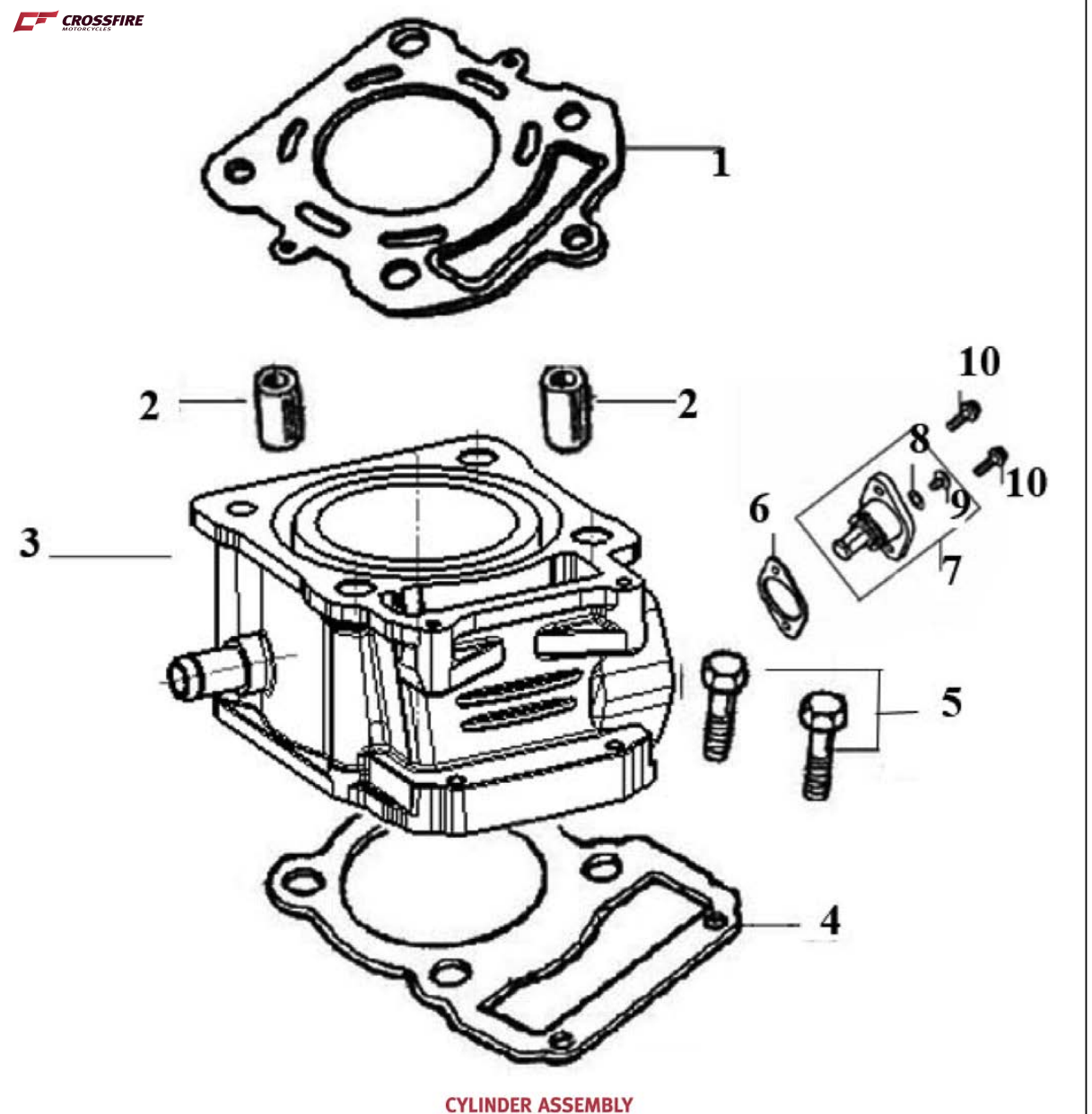
CYLINDER HEAD ASSY

No.	Part Code	Description	Qty
1	11230-ME30-00000W	COVER, VALVE CHAMBER	1
2	90104-ME30-0000	RING	2
3	B166740A06002070X	BOLT M6×20	4
4	B166740A06003070X	BOLT M6×30	3
5	B166740A06003570X	BOLT M6×35	1
6	B166740A06006570X	BOLT M6×65	2
7	93301-80622013000	WASHER 6.2×2×13	2
8	11230-ME30-01000W	COVER, VALVE CHAMBER	1
9	90101-30118000260	O-RING 11.8×2.6	2
10	15415-ME30-0000	BOLT	2
11	1122B-MG23-000086	CYLINDER HEAD ASSY	1
12	81300-BA81-0200	SPARK PLUG	1
13	90101-30380000300	O-RING 38×3	1
14	15800-ME30-0000	INLET PIPE	1
15	B166740A06001670X	BOLT M6×16	2
16	15838-ME30-0000	CONNECTING PIPE	1
17	17100-ME30-0000	CARBURETOR	1
18	B166740A06010570X	BOLT M6×105	2
19	1583B-PE03-0000	CLAMP INLET PIPE	2
20	91138-MA21-00000X	BOLT M8×45	2



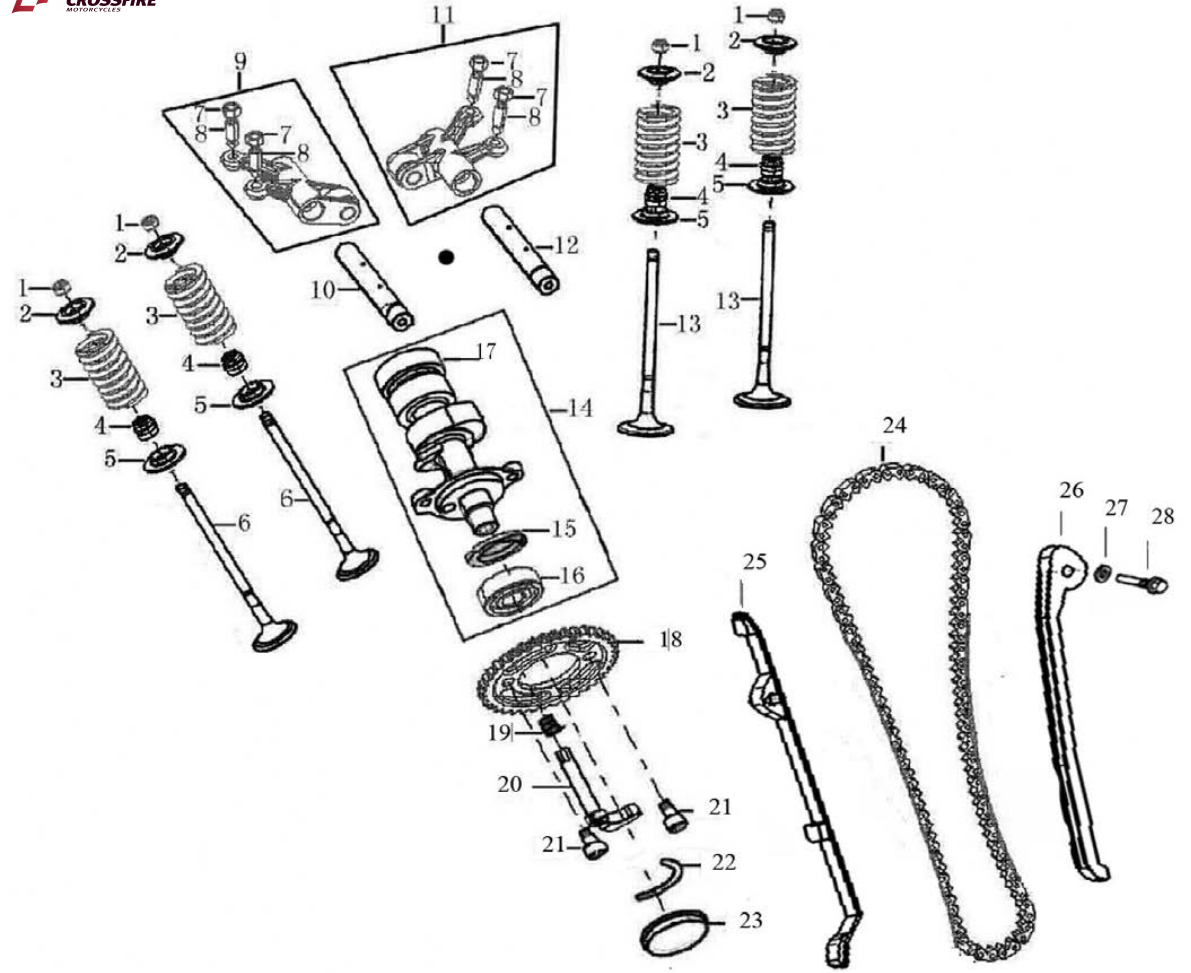
CYLINDER ASSEMBLY

No.	Part Code	Description	Qty
1	9022B-MG23-0000	GASKET ASSY,CYLINDER HEAD	1
2	91521-13001400000	PIN 13×14	2
3	1110B-MG23-000086	CYLINDER BLOCK ASSEMBLY	1
4	90205-MG23-0000	GASKET,CYLINDER BLOCK	1
5	B057890006002870X	BOLT M6×28	2
6	90211-I049-0000	GASKET,TENSIONER	1
7	1554B-I049-000086	LIFTER ASSY	1
8	90101-20090000180	O-RING 9×1.8	1
9	91120-I006-0000	BOLT	1
10	B000700106001670X	SCREW M6×16	2
11			
12			
13			
14			
15			
16			
17			
18			
19			
20			
21			
22			
23			
24			
25			
26			
27			
28			
29			
30			
31			
32			
33			



VALVE MECHANISM

No.	Part Code	Description	Qty
1	15707-BA81-0000	VALVE LOCKER	8
2	15705-ME30-0000	SPRING SEAT	4
3	15703-ME30-0000	VALVE OUTER SPRING	4
4	1572B-BA81-0000	SEAL, VALVE STEM	4
5	15706-ME30-0000	OUTER VALVE SPRING RETAINER	4
6	15701-ME30-0000	INTAKE VALVE	2
7	15403-BA81-0000	NUT, VALVE CLEARANCE	4
8	15404-BA81-0000	SCREW, VALVE CLEARANCE	4
9	1540A-ME30-0000	ROCKER ARM ASSEMBLY, VALVE	1
10	15402-ME30-0000	ROCKER SHAFT	1
11	1540A-ME30-0100	ROCKER ARM ASSEMBLY, VALVE	1
12	15402-ME30-0100	ROCKER SHAFT	1
13	15702-ME30-0000	EXHAUST VALVE	2
14	15100-MG23-0000	GAMP SHAFT COMP	1
15	15169-ME30-0000	WASHER	1
16	92102-000006201C3	BEARING (6201C3)	1
17	15121-MG23-0000	CAMSHAFT BUSH	1
18	15301-ME30-0000	TIMING DRIVEN SPROCKET	1
19	15164-ME30-0000	DECOMPRESSION SPRING OF CAMSHAFT	1
20	1516A-MG23-0000	CENTRIFUGAL MASS ASS.	1
21	B000700106001070B	SCREW M6×10	2
22	15108-ME30-0000	STOP PLATE, CAMSHAFT	1
23	11264-ME30-0000	SEAL COLLOID OF CYLINDER HEAD	1
24	1532B-ME05-0100	SPROCKET CHAIN	1
25	1553A-MG23-0000	GUIDE PLATE CHAIN	1
26	1552A-LA74-0000	TENSION PLATE ASSY	1
27	93301-70851514000	WASHER 8.5×1.5×14	1
28	91109-I006-00000X	BOLT M5×25	1
29			
30			
31			
32			
33			
34			
35			
36			
37			
38			
39			
40			
41			
42			
43			
44			
45			

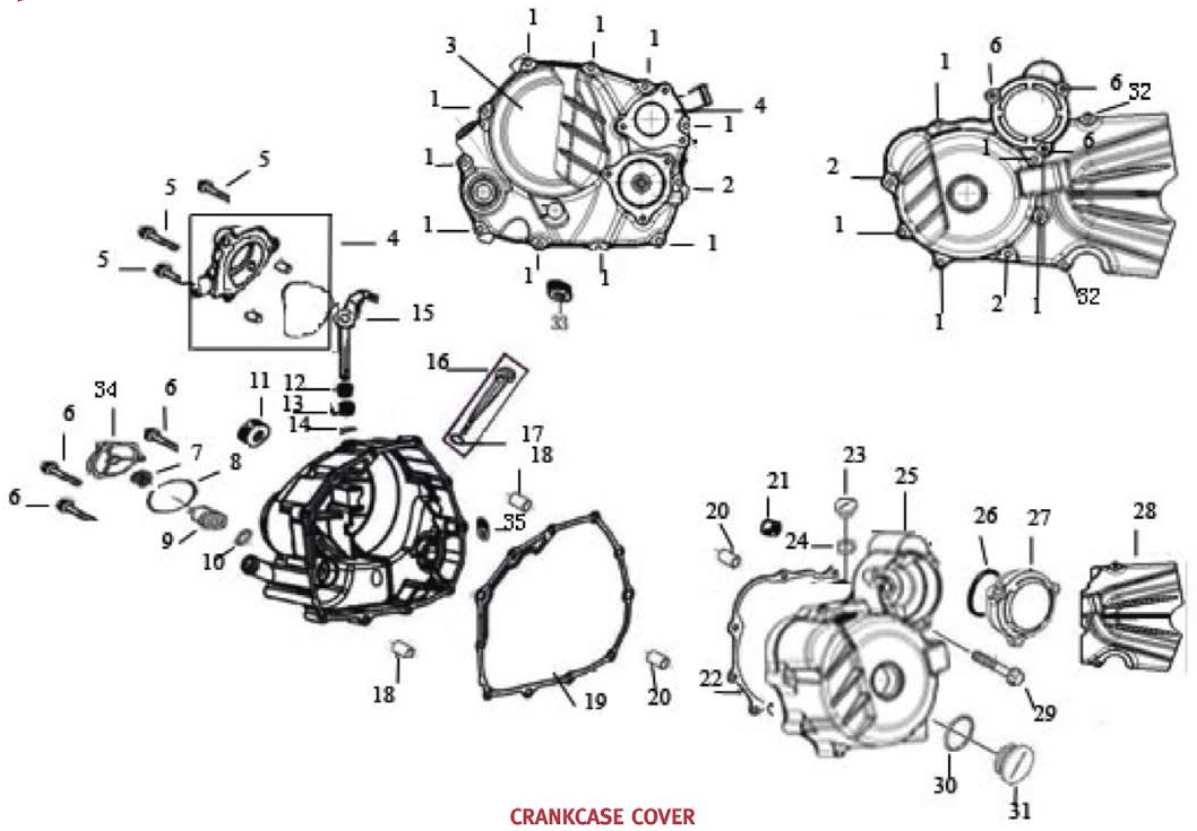


VALVE MECHANISM

CRANKCASE COVER

No.	Part Code	Description	Qty
1	B166740A06004070X	BOLT M6×40	15
2	B166740A06005070X	BOLT M6×50	3
3	12421-MG23-000085	COVER COMP. RIGHT CRANKCASE	1
4	19400-MG23-0000	WATER PUMP	1
5	B166740A06004570X	BOLT M6×45	3
6	B166740A06002070X	BOLT M6×20	6
7	12403-I038-0000	SPRING, OIL FINE FILTER	1
8	90101-30520000230	O-RING 52×2.3	1
9	14210-I038-0000	OIL FILTER	1
10	90101-10132000180	O-RING 13.2×1.8	1
11	90304-I006-0000	OIL SEAL 16×28×7	1
12	90306-I006-0000	OIL SEAL 12×22×5	1
13	22427-MG23-0000	CLUTCH CONTROLLING ARM SPRING	1
14	B0087901030120000	PIN 3×12	1
15	2242A-I006-10000X	CONTROLLING ARM ASSEMBLY, CLUTCH	1
16	14301-I006-0000	OIL RULER ASSY	1
17	90101-10180000300	O-RING 18×3	1
18	91521-08001400000	PIN 8×14×6.3	2
19	90206-MG23-0000	GASKET - R.CRANKCASE COVER	1
20	91521-10001400000	PIN 10×14	2
21	92102-I008-0001	BEARING	1
22	90204-I008-0000	GASKET - L.CRANKCASE COVER	1
23	12303-G011-000085	CAP, SMALL VIEW HOLE	1
24	90101-10132000265	O-RING 13.2×2.65	1
25	12301-MG23-000085	FRONT PART - L.CRANKCASE COVER	1
26	90101-10620000300	O-RING 62×3	1
27	12308-I008-400085	COVER,REDUCTION GEAR	1
28	12302-MG23-000085	BACK PART - L.CRANKCASE COVER	1
29	B166740A06002570B	BOLT M6×25	1
30	90101-10274000265	O-RING 27.4×2.65	1
31	12304-G011-000085	CAP, BIG VIEW HOLE	1
32	B166740A06002870X	BOLT M6×28	2
33	12426-I008-0000	OIL LELVE SIGHT WINDOW	1
34	12402-I038-000085	CAP, OIL FILTER	1
35	90302-I093-0000	OIL-SEAL 12×21×7	1
36			
37			
38			
39			
40			

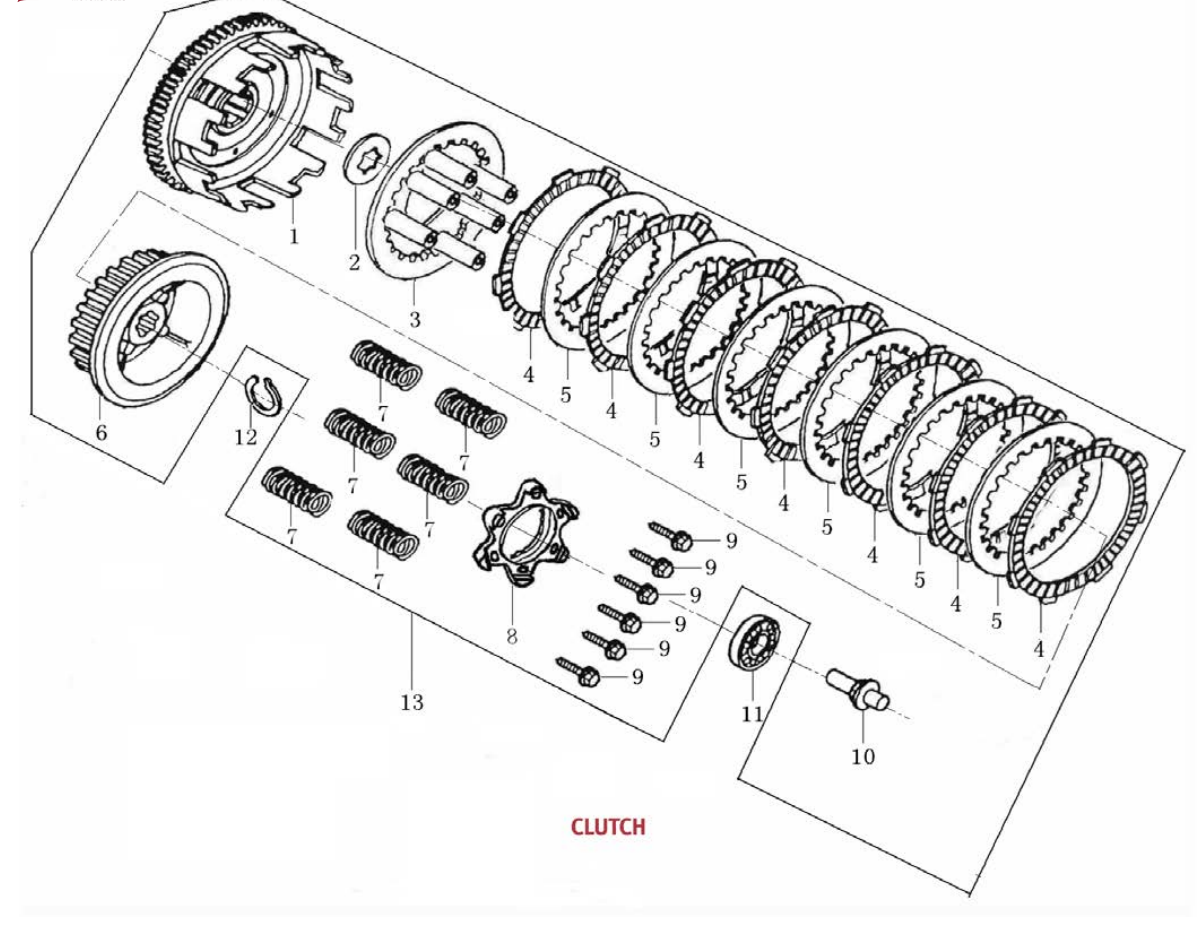
CROSSFIRE
EQUIPMENT



CLUTCH ASSY

No.	Part Code	Description	Qty
1	22150-ME05-0000		1
2	22002-I006-0000		1
3	22122-LA73-0000		1
4	22214-LA73-0000		7
5	22215-J034-0000		6
6	22105-LA73-0100		1
7	22142-MA96-0000		6
8	22121-LA12-0000		1
9	91129-J034-00000B		6
10	22403-ME16-0000		1
11	92102-00000016003	BEARING (16003)	1
12	91403-I008-0000	ELASTIC CHECK RING	1
13	22000-ME05-0000	CLUTCH ASSY	1
14			
15			
16			
17			
18			
19			

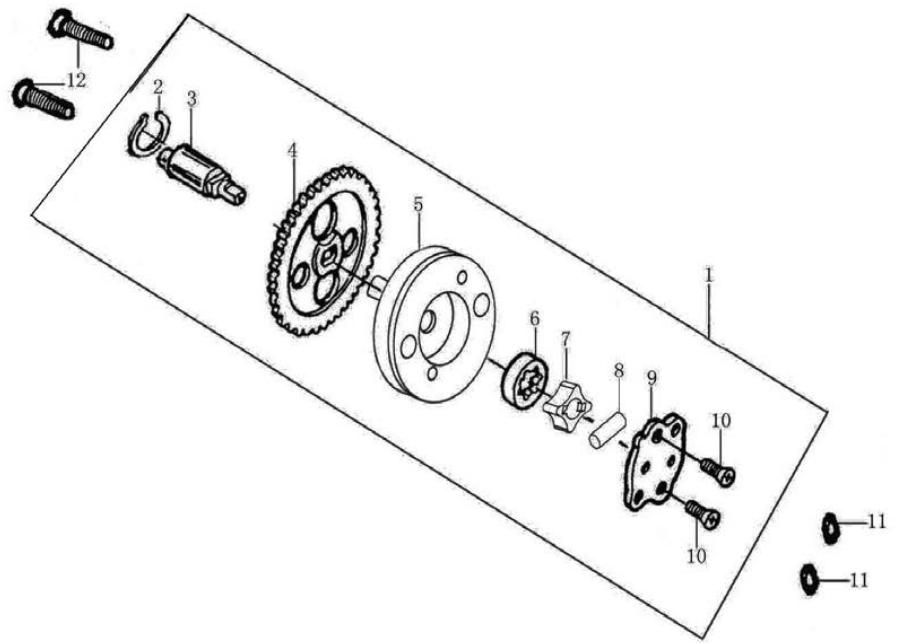
CROSSFIRE
EQUIPMENT



OIL PUMP

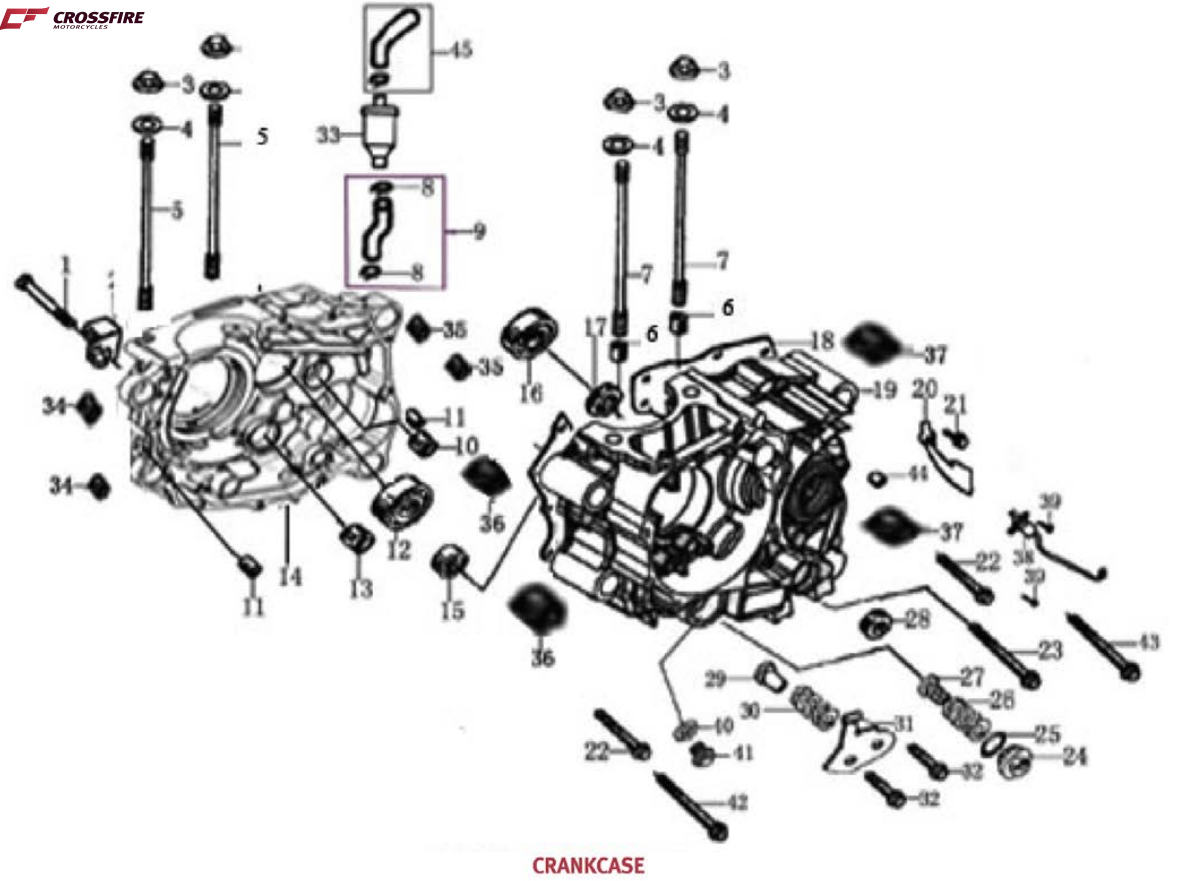


No.	Part Code	Description	Qty
1	14100-MG23-0000	OIL PUMP ASSY	1
2	B0089600060000000	CIRCLIP 6	1
3	14107-LE09-0000	SHAFT,OIL PUMP	1
4	1410B-MG23-0000	OIL PUMP GEAR ASS.	1
5	14110-LE09-0000	OIL PUMP BODY	1
6	14112-LE09-0000	OUTER ROTOR, OIL PUMP	1
7	14111-LE09-0000	INNER ROTOR, OIL PUMP	1
8	B0011902025100000	PIN 2.5×10	1
9	14108-LE09-0000	OIL PUMP COVER	1
10	B008180004001020B	SCREW M4×10	2
11	90101-10094000240	O-RING 9.4×2.4	2
12	B008190106003020B	SCREW M6×30	2
13			
14			
15			
16			
17			
18			
19			
20			
21			
22			
23			
24			
25			
26			
27			
28			
29			
30			
31			
32			
33			
34			
35			
36			
37			
38			
39			
40			
41			
42			
43			
44			
45			



OIL PUMP

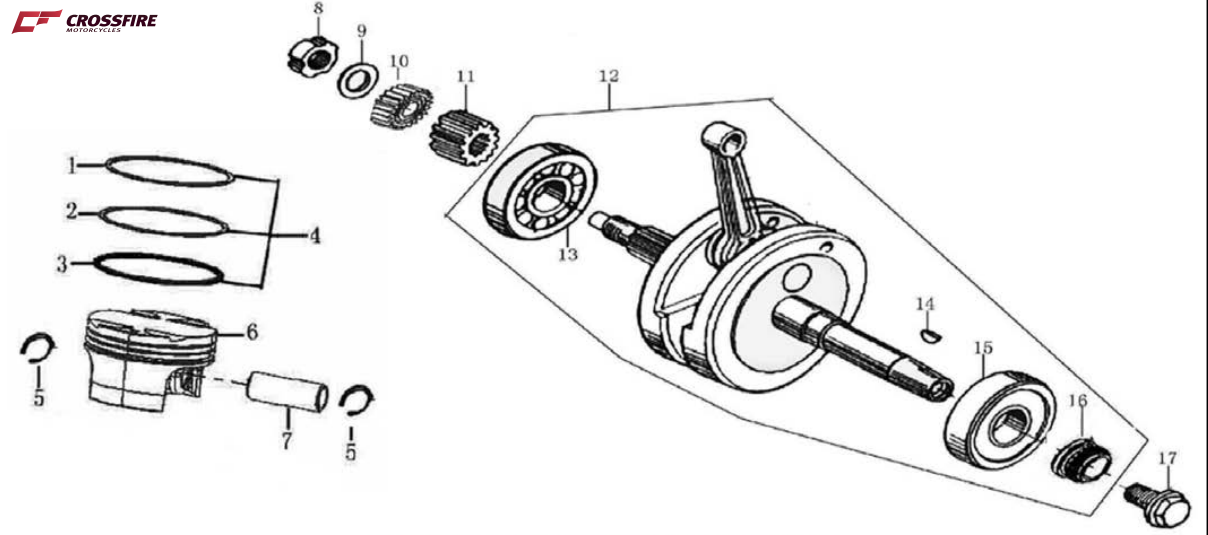
CRANKCASE



No.	Part Code	Description	Qty
1	B166740A06006570X	BOLT M6×65	1
2	22422-I006-00020X	HOLDER,CLIUTCH CABLE	1
3	91212-RE08-00000X	NUT M8	4
4	93301-5105202000N	WASHER 10.5×2×20	4
5	91102-MG23-0000	CYLINDER STUD BOLT B	2
6	91521-13001400000	PIN 13×14	2
7	91101-MG23-0000	CYLINDER STUD BOLT A	2
8	18097-I008-0000	CLAMP	2
9	12130-MA95-0002	PIPE ASSY	1
10	92102-000NK152712	BEARING (NK15×27×12)	1
11	91521-10001400000	PIN 10×14	2
12	92102-00000006006	BEARING (6006)	1
13	92102-000HK212810	BEARING (HK21×28×10)	1
14	1222B-MG23-000085	RIGHT CRANKCASE BLOCK	1
15	92102-0000TM6202Z	BEARING (TM6202Z)	1
16	92102-00000TM6204	BEARING (TM6204)	1
17	90303-I006-0000	OIL SEAL 20×34×7	1
18	90208-LA73-0000	GASKET,CRANKCASE	1
19	1212B-MG23-000085	LEFT CRANKCASE BLOCK	1
20	12103-I008-0000	POSITION PLATE	1
21	B166740A06001270B	BOLT M6×12	1
22	B166740A06005070X	BOLT M6×50	7
23	B166740A06010070X	BOLT M6×100	1
24	11230-I006-00000W	COVER, VALVE CHAMBER	1
25	90101-20350000300	O-RING 35×3	1
26	14221-I006-0000	SPRING,OIL FILTER STRAINER	1
27	1431B-I006-0000	STRAINER,OIL FILTER	1
28	90301-I006-0000	OIL-SEAL 14×28×7	1
29	12132-ME16-0000	PRESSING PIN BODY UPPER PIN	1
30	12133-ME16-0000	PRESSING PIN BODY SPRING	1
31	2143B-MG23-0000	ASSEMBLY, CHAIN PROTECT PLATE	1
32	B057830005001670B	BOLT M5×16	2
33	12162-MA95-0000	OIL AIR FILTER	1
34	10009-LA73-0002	ABSORBER SLEEVE	2
35	10009-LA73-0004	ABSORBER SLEEVE	2
36	10009-LA73-0001	ABSORBER SLEEVE	2
37	10009-LA73-0003	ABSORBER SLEEVE	2
38	88031-I008-300045	GEARSHIFT SWITCH COMP	1
39	9115B-JZ02-0000	SCREW	2
40	93301-71242020000	WASHER 12.4×2×20	1
41	91103-I008-00000X	OIL DRAIN PLUG	1
42	B166740A06006070X	BOLT M6×60	1
43	B166740A06007070X	BOLT M6×70	1
44	92102-I008-0001	BEARING	1
45	12130-MA95-0002	PIPE ASSY	1

CRANKSHAFT CONNECTING-ROD ASSY/PISTON

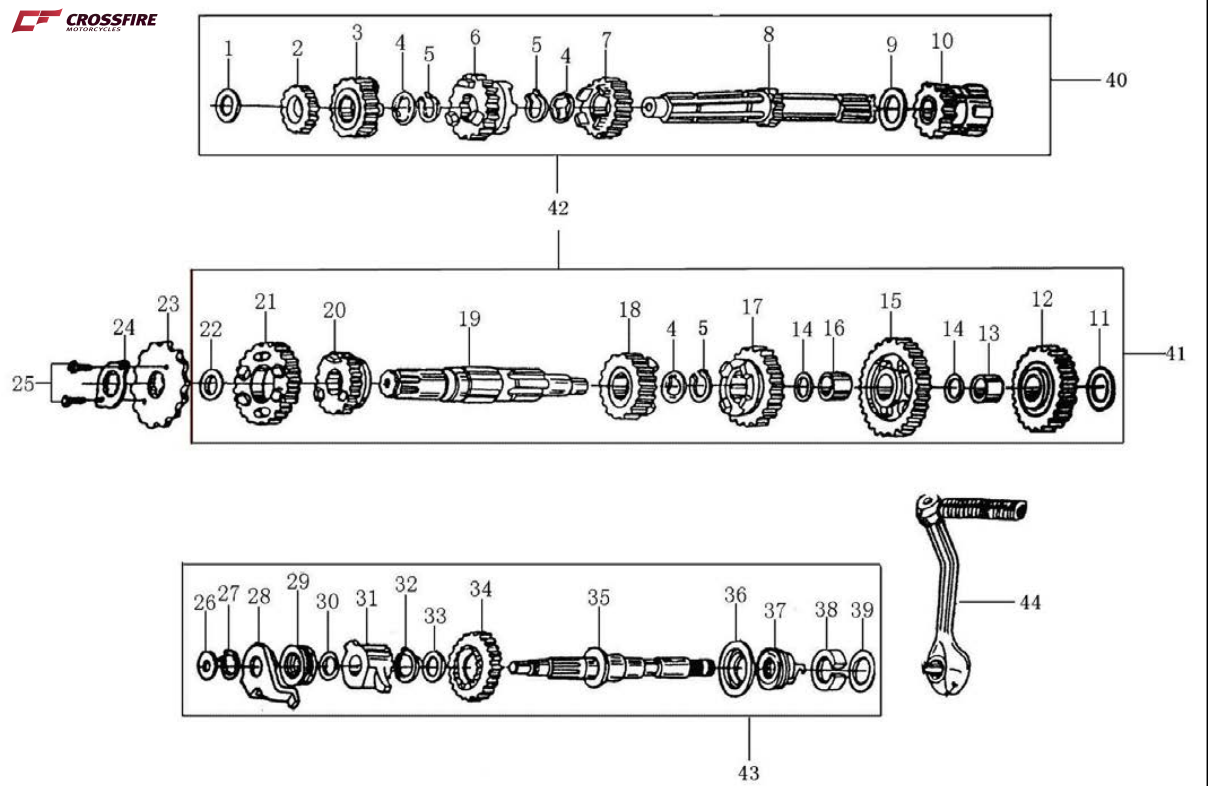
No.	Part Code	Description	Qty
1	13103-MG23-0000	PISTON RING 1	1
2	13104-MG23-0100	PISTON RING 2	1
3	13120-MG23-0000	OIL RING ASSY	1
4	1310A-MG23-0000	PISTON RING COMP	1
5	91401-ME30-0000	CHECK RING, PISTON PIN	2
6	13101-MG23-0000	PISTON	1
7	13102-ME30-0000	PIN PISTON	1
8	91203-IA20-0000	NUT	1
9	22004-I006-0000	DISH WASHER, CLUTCH	1
10	14101-MG23-0000	DRIVE GEAR,OIL PUMP	1
11	23101-ME05-0000	PRIMARY DRIVE GEAR	1
12	1320B-MG23-0000	CRANKSHAFT CONNECTING-ROD ASSY	1
13	92102-0063-28X1P5	BEARING (63/28X1P5)	1
14	91601-I008-0000	SEMICIRCULAR KEY	1
15	92102-0063-28-1RS	BEARING (63/28-1RS)	1
16	13222-MG23-0000	HUB DUMP CHAIN SPROCKET	1
17	91106-I008-0000	BOLT M10×36	1



CRANKSHAFT CONNECTING-ROD ASSY / PISTON

TRANSMISSION MAIN,COUNTER SHAFT

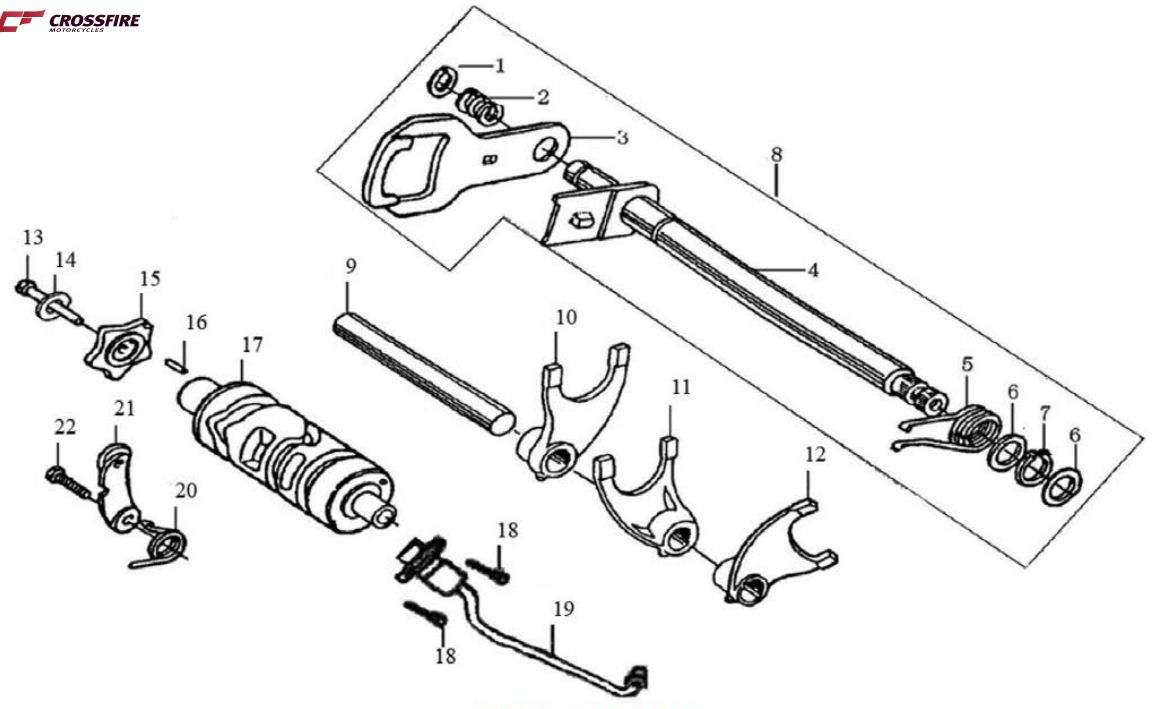
No.	Part Code	Description	Qty
1	93301-61521025000	WASHER 15.2×1×25	1
2	23222-LA73-0002	GEAR M-2	1
3	23222-LA73-0005	GEAR M-5	1
4	23223-I006-0000	WASHER	3
5	91402-D002-0100	CIRCLI φ18.5×1.2×φ22.1	3
6	23222-LA73-0004	GEAR M-4	1
7	23222-LA73-0003	GEAR M-3	1
8	23221-LA73-0000	TRANSMISSION MAIN SHAFT	1
9	93301-62020527000	WASHER 20.2×0.5×27	1
10	23231-I008-0000	FINAL SHAFT	1
11	93301-61521030000	WASHER 15.2×1×30	1
12	23248-I008-0000	GEAR	1
13	23203-I008-0003	GEAR BUSH	1
14	93301-51650524000	WASHER 16.5×0.5×24	2
15	23242-LA73-0001	GEAR C-1	1
16	23203-I006-0001	GEAR BUSH	1
17	23242-LA73-0003	GEAR C-3	1
18	23242-LA73-0004	GEAR C-4	1
19	23241-LA73-0800	TRANSMISSION COUNTER SHAFT	1
20	23242-LA73-0005	GEAR C-5	1
21	23242-LA73-0002	GEAR C-2	1
22	93301-52001027000	WASHER 20×1×27	1
23	23401-I008-0008	DRIVE SPROCKET	1
24	23402-I006-0000	FIXING PLATE,DRIVE SPROCKET	1
25	B057830006001070B	BOLT M6×10	2
26	93301-51211018000	WASHER 12.1×1×18	1
27	B0089401160000000	CIRCLIP 16	1
28	2112B-I008-0000	GUIDE PLATE ASS.	1
29	21119-I008-0000	SPRING, KICK STARTING RATCHET WHEEL	1
30	93301-51611024000	WASHER 16.1×1×24	1
31	21118-I008-0000	STARTING RATCHET	1
32	91402-I008-0000	CIRCLI φ18.5×1.2×φ22.4	1
33	93301-62000527000	WASHER 20×0.5×27	1
34	21117-I008-0000	GEAR, KICK STARTER	1
35	21107-I008-0001	PIVOT, KICK STARTING SHAFT	1
36	21104-I008-0000	SEAT, SPRING, KICK STARTING SHAFT	1
37	21106-I008-0000	RETURN SPRING, KICK STARTING SHAFT	1
38	21111-I008-0000	COLLAPSIBLE	1
39	93301-51611030000	WASHER 16.1×1×30	1
40	23220-LA73-0000	MAIN SHAFT, TRANSMISSION	1
41	23240-LA73-0800	COUNTERSHAFT TRANSMISSION	1
42	23200-LA73-0800	TRANSMISSION MAIN - COUNTER SHAFT	1
43	21100-I008-0202	KICK STARTING SHAFT ASSEMBLY	1
44	21200-I008-0009	START-UP BAR COMP	1



TRANSMISSION MECHANISM

GEARSHIFT MECHANISM

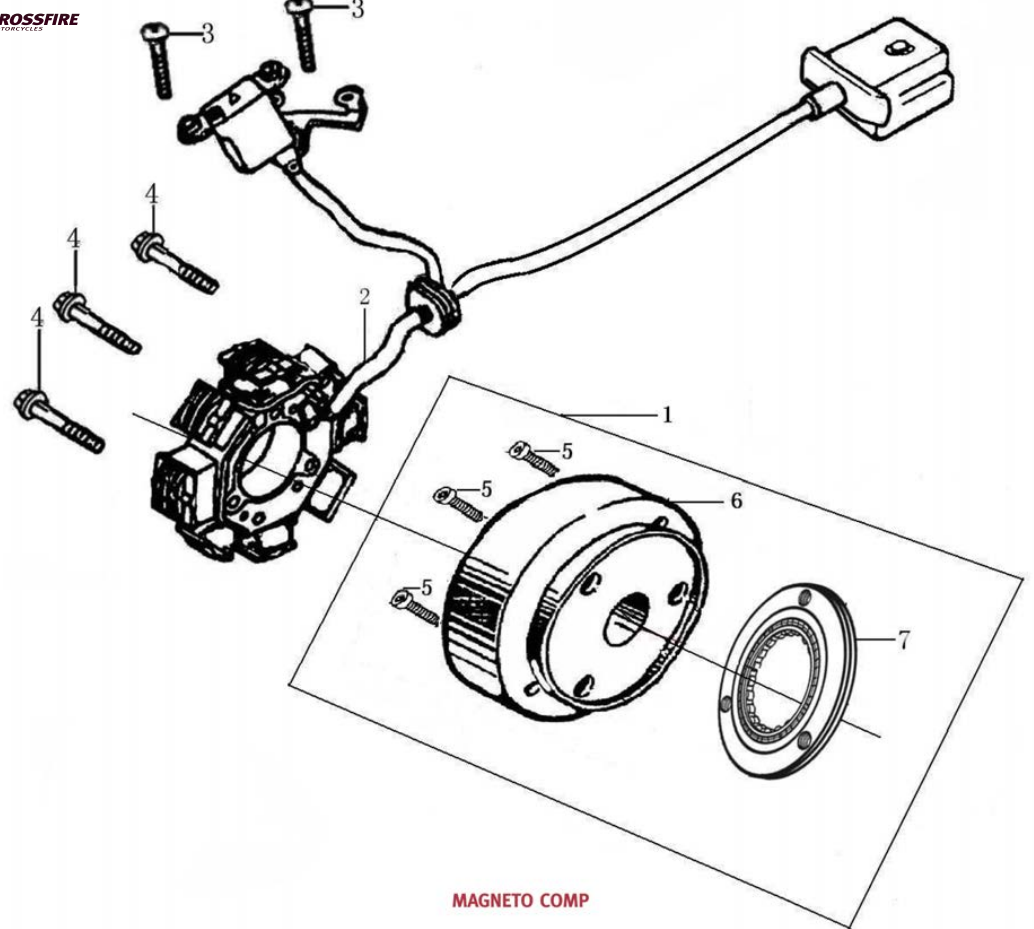
No.	Part Code	Description	Qty
1	B008940112000000	CIRCLIP 12	1
2	24303-I006-0000	SPRING, GEARSHIFT PLATE	1
3	24319-I006-0000	GEARSHIFT PLATE	1
4	24301-LA73-00000C	GEARSHIFT SHAFT COMP	1
5	24302-I006-0000	RETURN SPRING	1
6	93301-51400520000	WASHER 14×0.5×20	2
7	B008940114000000	CIRCLIP 14	1
8	24300-LA73-00000C	GEARSHIFT LEVER COMP	1
9	24107-I006-0000	SHAFT, GEARSHIFT FORK	1
10	24104-I006-0000	RIGHT FORK, COUNTERSHAFT	1
11	24106-I006-0000	CENTER FORK, MAINSHAFT	1
12	24105-I006-0000	LEFT FORK, COUNTERSHAFT	1
13	91126-I008-00000B	BOLT	1
14	B0009300060000000	WASHER φ6	1
15	24202-I006-0500	STOPPING PLATE	1
16	B0011901040100000	PIN 4×10	1
17	24213-LA73-0800	GEARSHIFT DRUM	1
18	9115B-JZ02-0000	SCREW	2
19	88031-I008-300045	GEARSHIFT SWITCH COMP	1
20	24304-I006-0000	SPRING, LOCATING PLATE	1
21	2434A-I008-0000	LOCATING PLATE ASSY	1
22	B057830006002570B	BOLT FIXING PLATE	1



GEARSHIFT MECHANISM

MAGNETO COMP

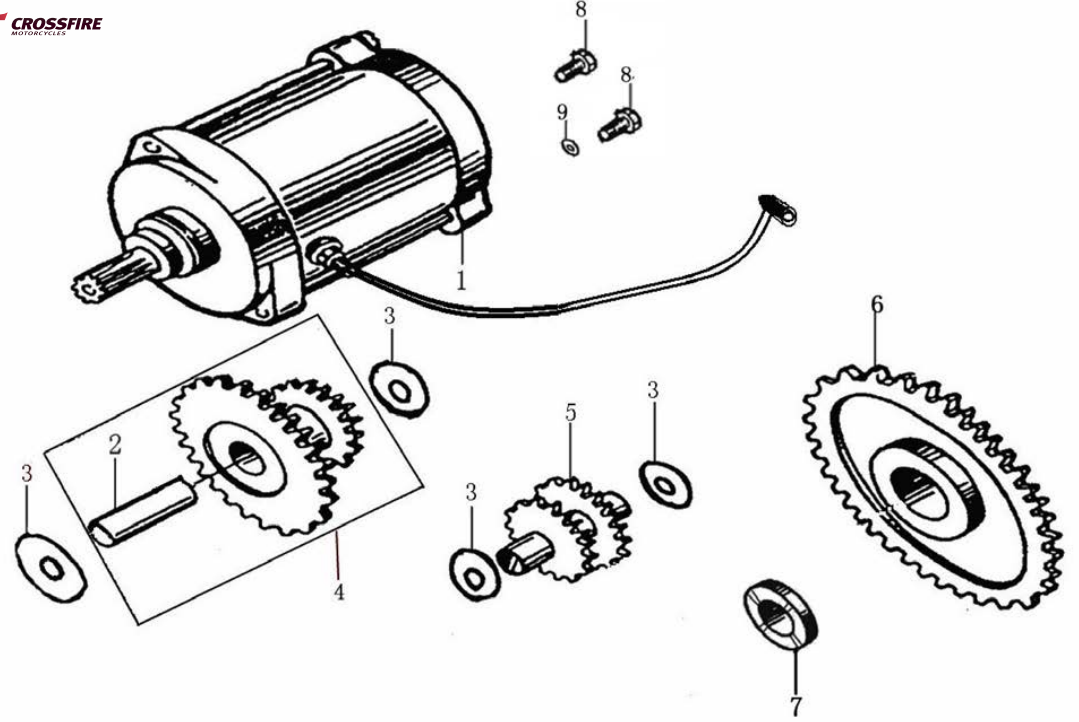
No.	Part Code	Description	Qty
1	82130-I008-0104	ROTOR ASSY,MAGNETO	1
2	82120-I008-020043	STATOR ASSY,MAGNETO	1
3	B057830005001670B	BOLT M5×16	2
4	B057830005002570B	BOLT M5×25	3
5	91197-I008-00000C	BOLT M8×18	3
6	82130-I008-0101	ROTOR ASSY,MAGNETO	1
7	21300-LA73-0000	ASSEMBLY, OVERRUNNING CLUTCH	1
8			
9			
10			
11			
12			
13			
14			
15			
16			
17			
18			
19			



MAGNETO COMP

ELECTRIC STARTING MECHANI

No.	Part Code	Description	Qty
1	82200-ME05-030051	STARTING MOTOR ASSY	1
2	21402-I008-0100	SHAFT,REDUCTION	1
3	93301-51050518000	WASHER 10.5×0.5×18	4
4	2140A-ME13-0100	GEAR, REDUCTION, 1	1
5	21401-ME13-0000	GEAR, REDUCTION, 2	1
6	2142A-MG23-0000	PLATE GEAR ASSY	1
7	93301-E2206034000	WASHER 22×6.0×34	2
8	B057890006002870X	BOLT M6×25	2
9	82202-ME05-0000	WASHER	1
10			
11			
12			
13			
14			
15			
16			

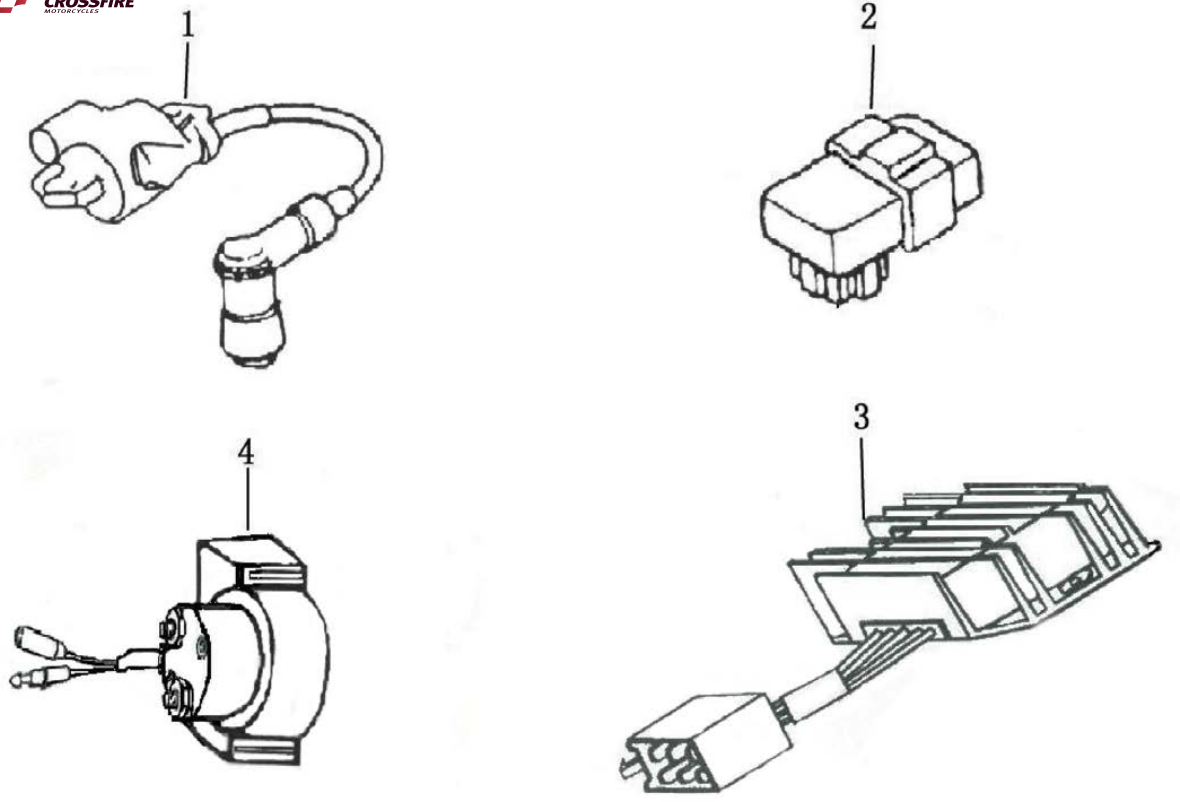


ELECTRIC STARTING MECHANISM

ELECTRIC

No.	Part Code	Description	Qty
1	81100-ME30-000020	IGNITION COIL	1
2	81200-I008-0000	C.D.I	1
3	83100-I008-010020	RECTIFIER	1
4	82290-I049-000016	RELAY	1
5			
6			
7			
8			
9			
10			
11			
12			
13			
14			
15			
16			
17			
18			
19			

CROSSFIRE
MOTORCYCLES

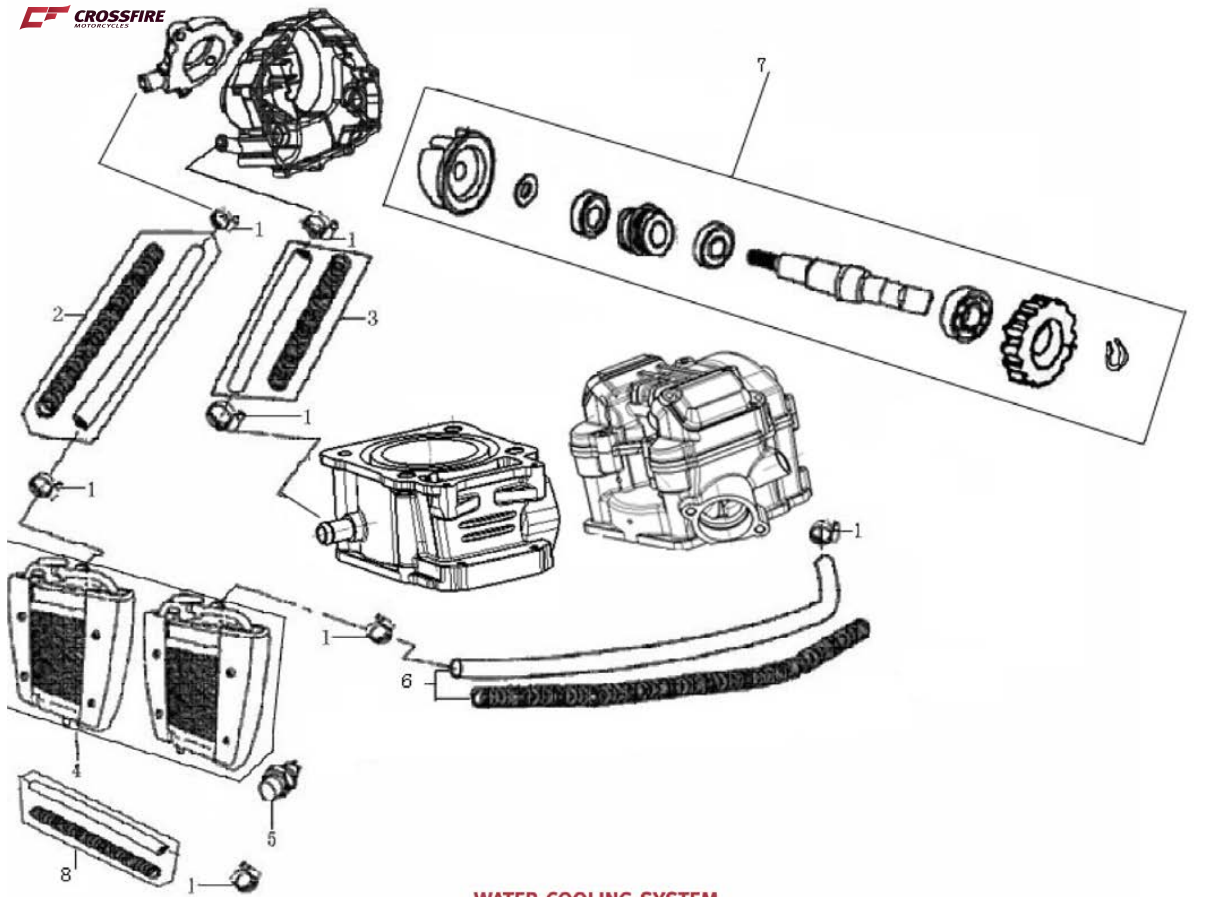


ELECTRIC

WATER COOLING SYSTEM

No.	Part Code	Description	Qty
1	19520-IA20-0000	CLIP	8
2	19225-MZ10-0100	TUBE	1
3	19225-ME16-0000	TUBE	1
4	19200-ME16-0000	WATER COOLER	1
5	1925A-IA20-0000	SWITCH THERMISTOR	1
6	19225-MZ10-0000	TUBE	1
7	19400-MG23-0000	WATER PUMP	1
8	19225-IA20-0019	TUBE	1
9			
10			
11			
12			
13			
14			
15			
16			
17			
18			
19			
20			

CROSSFIRE
MOTORCYCLES



WATER COOLING SYSTEM