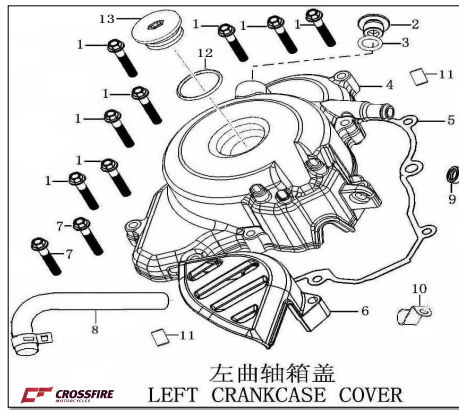
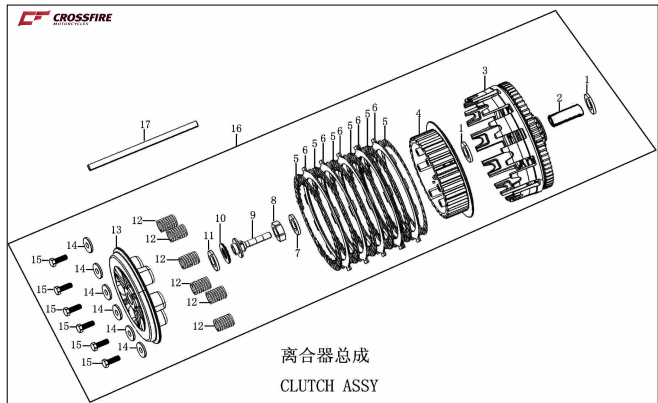


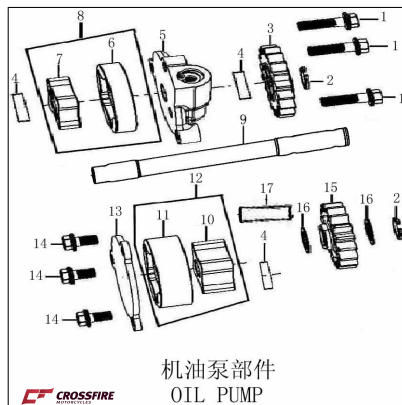
CRANKCASE COVER, LEFT (S5)			
REF. No.	PART No.	DESCRIPTION	
1	B166740A06003570X	BOLT M6×35	GB16674
2	15415-ME30-0000	BOLT M14×1	NC250
3	90101-30118000260	O-RING 11.8×2.6	NC250
4	12301-ME30-00000W	CRANKCASE COVER, LH	NC250
5	90207-ME30-0000	GASKET, COVER, LH	NC250
6	12302-ME30-0000	COVER, CHAIN SPROCKET	NC250
7	B166740A06003070X	BOLT M6×30	GB16674
8	12130-1008-0001	BREATH TUBE	CG1250-14
9	90302-H092-0000	OIL SEAL 10×18×6	YB110
10	12305-PE03-01000G	BRACKET, MAGNETO CABLE	LY350
11	91521-09001300000	PIN 9×13	NC250
12	90101-00225000355	O-RING 22.5×3.55	Z596
13	12304-1038-00000W	CAP, VIEW HOLE	Z596



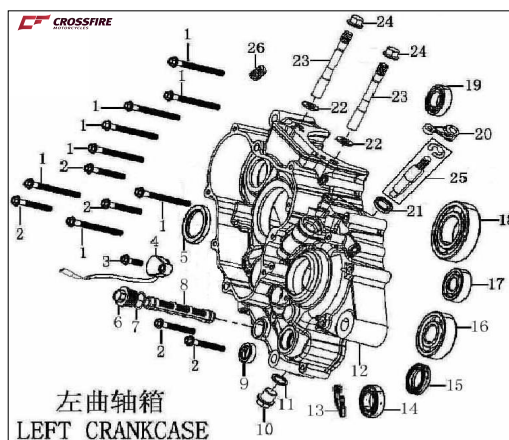
CLUTCH ASSY. (S6)			
REF. No.	PART No.	DESCRIPTION	
1	93301-52021834000	WASHER 20.2×1.8×34	NC250
2	22104-ME30-0000	SLEEVE, CLUTCH	NC250
3	22150-ME30-0000	OUT CASE ASSEMBLY, CLUTCH	NC250
4	22105-ME30-0000	CENTER SLEEVE, CLUTCH	NC250
5	22214-ME30-0000	DRIVE FRICTION DISK (FUJI - JAPAN)	NC250
6	22215-ME30-0000	OUTER FRICTION DISK A	NC250
7	22004-1006-0000	WASHER 16.5×2×27	CB125
8	91202-M037-0000	NUT M16×1	V250
9	22314-ME30-0000	ROD, CLUTCH PUSH	NC250
10	93102-1093-0000	BEARING (AKK1528)	GR125
11	93301-51501028000	WASHER 15×1×28	GR125
12	22142-ME30-0000	SPRING, CLUTCH	NC250
13	22122-ME30-0000	PRESSURE PLATE, CLUTCH	NC250
14	93301-30522017000	WASHER 5.2×2×17	NC250
15	B0578300050025708	BOLT M5×25	GB5783
16	22000-ME30-0000	CLUTCH ASSY	NC250
17	22403-ME30-0000	PUSHING ROD, CLUTCH	NC250



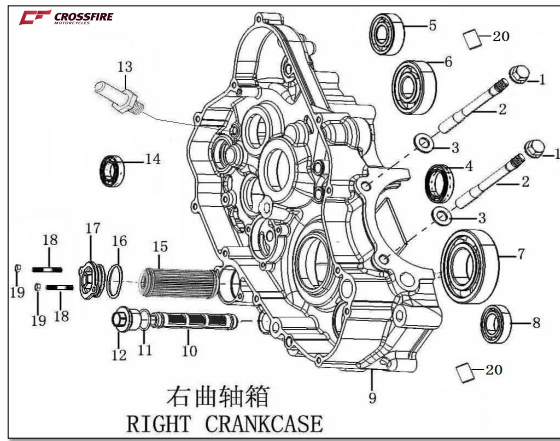
OIL PUMP ASSY. (S7)			
REF. No.	PART No.	DESCRIPTION	
1	B166740A05001870B	BOLT M5×18	GB16674
2	B0089401100000000	CIRCLIP 10	GB894.1
3	1410B-ME30-0000	OIL PUMP GEAR ASS.	NC250
4	91522-04001580000	PIN 4×15.8	LY200
5	1410B-ME30-0100	OIL PUMP COVER	NC250
6	14112-ME30-0000	OUTER ROTOR, OIL PUMP	NC250
7	14111-ME30-0000	INNER ROTOR, OIL PUMP	NC250
8	14120-ME30-0100	OIL PUMP ROTOR	NC250
9	14107-ME30-0000	SHAFT, OIL PUMP	NC250
10	14111-ME30-0100	INNER ROTOR, OIL PUMP	NC250
11	14112-ME30-0100	INNER ROTOR, OIL PUMP	NC250
12	14120-ME30-0200	OIL PUMP ROTOR	NC250
13	1410B-ME30-0000	OIL PUMP COVER	NC250
14	B166740A05001270B	BOLT M5×12	GB16674
15	14135-ME30-0000	OIL PUMP GEAR	NC250
16	93301-51020515000	WASHER 10.2×0.5×15	NC250
17	14134-ME30-0000	OIL PUMP GEAR SHAFT	NC250



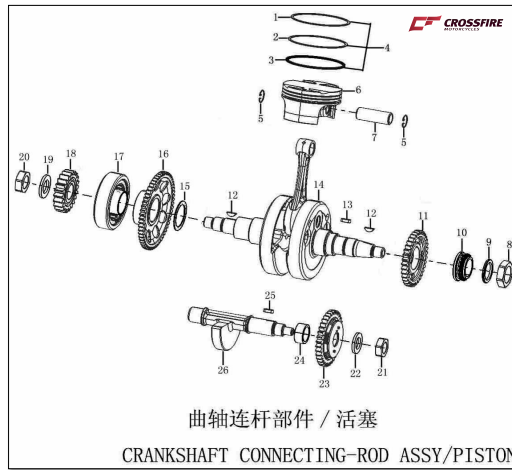
CRANKCASE, LEFT (S8)			
REF. No.	PART No.	DESCRIPTION	
1	B166740A06006570X	BOLT M6×65	GB16674
2	B166740A06004570X	BOLT M6×45	GB16674
3	B0081901060002020X	SCREW M6×20	GB819.1
4	88031-Z52-150055	GEARSHIFT SWITCH COMP	88031
5	90303-ME30-0000	OIL SEAL 32×47×6	NC250
6	14305-ME30-00000H	COVER, OIL FILTER SCREEN	NC250
7	90101-30175000180	O-RING 17.5×1.8	NC250
8	1431B-ME30-0000	STRAINER, OIL FILTER	LY350
9	90345-PE03-0000	OIL SEAL 15×25×5	LY350
10	91103-RE08-00000X	OIL DRAIN PLUG	Z5500
11	93301-81451520000	WASHER 14.5×1.5×20	Z5500
12	1212B-ME30-00000W	CRANKCASE BLOCK, LH	NC250
13	B0089301280000000	CIRCLIP 28	GB893.1
14	92102-0000061902	BEARING (61902)	(61902)
15	92102-0000061805	BEARING (61805)	(61805)
16	92102-0006322P516	BEARING (63/22/P5/16)	(63/22/P5/16)
17	92102-0006203P63	BEARING (6003/P63)	(6203/P63)
18	92102-0000QSTM6207	BEARING (QSTM6207)	(QSTM6207)
19	92102-00006004CM	BEARING (6004CM NSK)	(6004CM NSK)
20	22312-ME30-0000	ROCKER ARM, RELEASE LEVER, CLUTCH	NC250
21	90305-1008-0100	OIL SEAL 14×22×5	NC250
22	93301-5105202000N	WASHER 10.5×2×20	Z5500
23	91101-ME30-0000	CYLINDER STUD BOLT A	NC250
24	91212-RE08-00000X	NUT M10×1.25	Z5500
25	22313-ME30-0000	CLUTCH SEPARATING ROD	NC250
26	92202-ME30-0000	OIL NOZZLE	NC250



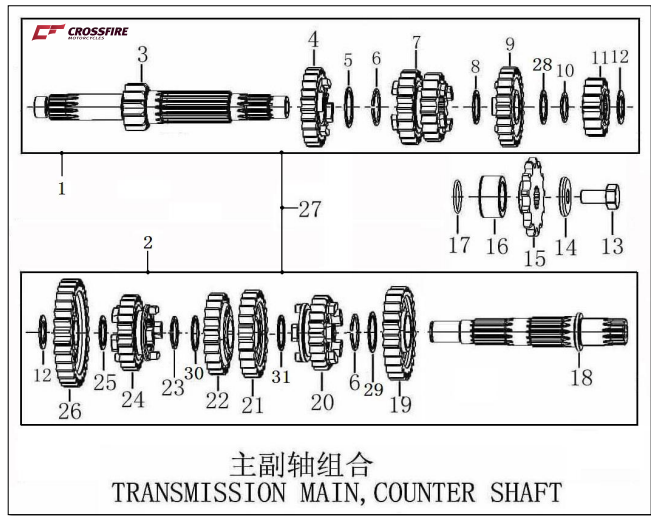
CRANKCASE, RIGHT (S9)			
REF. No.	PART No.	DESCRIPTION	
1	91212-RE08-0000X	NUT M10 x 1.25	ZS500
2	91101-ME30-0000	CYLINDER STUD BOLT A	NC250
3	93301-5105202000N	WASHER 10.5x2x20	ZS500
4	92102-0000061805	BEARING (61805)	
5	92102-00006203P63	BEARING (6203/P63)	
6	92102-00TM6304P53	BEARING (TM6304/P53)	
7	92102-000TM6207RS	BEARING (TM6207RS)	
8	92102-006004DDUCM	BEARING (6004DDUCM NSK)	
9	12228-ME30-0000W	CRANKCASE BLOCK, RH	NC250
10	14318-ME30-0000	STRAINER,OIL FILTER	NC250
11	90101-30175000180	O-RING 17.5x1.8	NC250
12	14305-ME30-0000H	COVER, OIL FILTER SCREEN	NC250
13	91117-ME30-0000	BOLT RETURN SPRING	NC250
14	92102-0000061902	BEARING (61902)	
15	14210-ME30-0000	OIL FILTER	NC250
16	90101-30300000260	O-RING 30x2.6	NC250
17	12402-ME30-0000W	CAP, OIL FILTER	NC250
18	91140-ME30-0000B	BOLT M5x22	NC250
19	B061770105000090X	NUT 5	GB6177.1
20	91521-13001400000	PIN 13x14	NC250



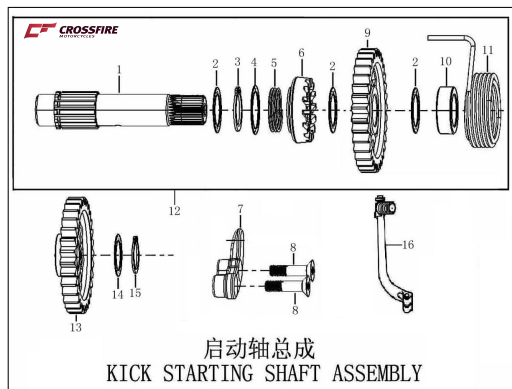
CRANKSHAFT / PISTON ASSY. (S10)			
REF. No.	PART No.	DESCRIPTION	
1	13103-ME30-0000	PISTON RING 1	NC250
2	13104-ME30-0000	PISTON RING 2	NC250
3	13120-ME30-0000	OIL RING ASSY	NC250
4	1310A-ME30-0000	PISTON RING COMP	NC250
5	91401-ME30-0000	CHECK RING, PISTON PIN	NC250
6	13101-ME30-0000	PISTON	NC250
7	13102-ME30-0000	PIN PISTON	NC250
8	91220-ME30-0000	NUT M24	NC250
9	93301-42422532000	WASHER 24.2 x 2.5 x 32	NC250
10	13222-ME30-0000	HUB DUMP CHAIN SPROCKET	NC250
11	13302-ME30-0000	DRIVING GEAR	NC250
12	91601-ME30-0000	SEMICIRCULAR KEY (woodruff key)	NC250
13	91606-ME30-0000	TABULATE KEY	NC250
14	1320B-ME30-0000	CRANKSHAFT CONNECTING-ROD ASSY	NC250
15	93301-53021040000	WASHER 30.2 x 1 x 40	NC250
16	2142A-ME30-0000	PLATE GEAR ASSY	NC250
17	21300-ME30-0000	ASSEMBLY, OVERRUNNING CLUTCH	NC250
18	23101-ME30-0000	PRIMARY DRIVE GEAR	NC250
19	93301-41823031000	WASHER 18.2 x 3 x 31	NC250
20	91218-ME30-0000	NUT	NC250
21	91202-M037-0000	LOCK NUT, CLUTCH	V250
22	22004-1006-0000	DISH WASHER, CLUTCH	CB125
23	13318-ME30-0000	DRIVEN GEAR ASSY.	NC250
24	23206-ME30-0000	CRANKSHAFT TUBE	NC250
25	91607-ME30-0000	TABULATE KEY	NC250
26	13301-ME30-0000	BALANCE SHAFT	NC250



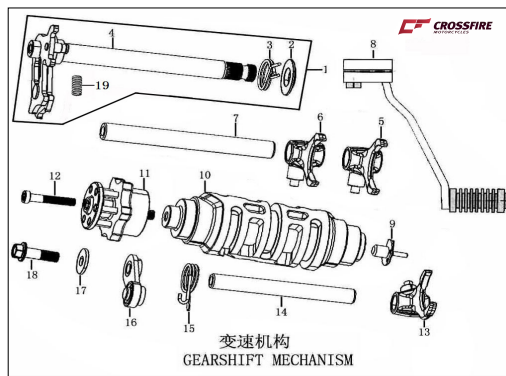
TRANSMISSION / COUNTER-SHAFT (S11)			
REF. No.	PART No.	DESCRIPTION	
1	23220-ME30-0000	MAIN SHAFT, TRANSMISSION	NC250
2	23240-ME30-0000	COUNTERSHAFT TRANSMISSION	NC250
3	23221-ME30-0000	TRANSMISSION MAIN SHAFT	NC250
4	23222-ME30-0005	GEAR M-5	NC250
5	93301-52511030000	WASHER 25.1 x 1.0 x 30	V250
6	23226-M037-0000	CIRCLIP	V250
7	23222-ME30-0034	GEAR M-3 & 4	NC250
8	93301-52011025000	WASHER 20.1 x 1.0 x 25	YB110
9	23222-ME30-0006	GEAR M-6	NC250
10	23226-1008-0000	CIRCLIP	CG125D
11	23222-ME30-0002	GEAR M-2	NC250
12	93301-51711026000	WASHER 17.1 x 1.0 x 26	LY350
13	B057890010002070H	BOLT M10 x 1.25	GB5789
14	93301-1102403000X	WASHER 10.2 x 4 x 30	NC250
15	23401-ME30-0000	DRIVE SPROCKET	NC250
16	23106-ME30-0000	BUSHING	NC250
17	90101-30210000200	O-RING 21 x 2	ZS500
18	23241-ME30-0000	TRANSMISSION COUNTER SHAFT	NC250
19	23242-ME30-0002	GEAR C-2	NC250
20	23242-ME30-0006	GEAR C-6	NC250
21	23242-ME30-0003	GEAR C-4	NC250
22	23242-ME30-0004	GEAR C-3	NC250
23	91414-ME30-0000	CHECK RING	NC250
24	23242-ME30-0005	GEAR C-5	NC250
25	93301-51910260000	WASHER 19 x 1 x 26	YB110
26	23242-ME30-0001	GEAR C-1	NC250
27	23200-ME30-0000	MAINSHAFT ASSEMBLY	NC250
28	23223-ME30-0000	WASHER	NC250
29	23223-ME30-0100	WASHER	NC250
30	23223-ME30-0200	WASHER	NC250
31	93301-5221102800B	WASHER 22.1 x 1.0 x 28	V250



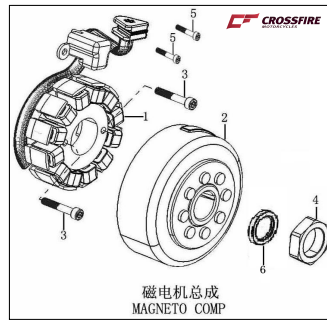
KICK START SHAFT ASSY. (S12)			
REF. No.	PART No.	DESCRIPTION	
1	21107-ME30-0000	PIVOT, KICK STARTING SHAFT	NC250
2	93301-51850526000	WASHER 18.5 x 0.5 x 26	NC250
3	B0089401210000000	CIRCLIP 21	GB894.1
4	93301-52170529500	WASHER 21.7 x 0.5 x 29.5	NC250
5	21119-ME30-0000	SPRING, KICK STARTING RATCHET WHEEL	NC250
6	21118-ME30-0000	STARTING RATCHET	NC250
7	21123-ME30-0000	GUIDE PLATE	NC250
8	B008190106002570B	SCREW M6 x 25	GB819.1
9	21117-ME30-0000	GEAR, KICK STARTER	NC250
10	21104-ME30-0000	SEAT, SPRING, KICK STARTING SHAFT	NC250
11	21106-ME30-0000	RETURN SPRING, KICK STARTING SHAFT	NC250
12	21100-ME30-0000	KICK STARTING SHAFT ASSEMBLY	NC250
14	93301-61170526000	WASHER 17.1 x 0.5 x 26	W140
13	23248-ME30-0000	GEAR	NC250
15	B0089401170000000	CIRCLIP 17	GB894.1
16	21200-ME30-0000	LEVER, KICK START (ALLOY)	NC250



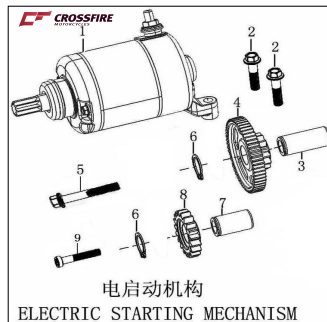
GEAR SHIFT ASSY. (S13)			
REF.No.	PART No.	DESCRIPTION	
1	24300-ME30-0000	GEARSHIFT LEVER COMP	NC250
2	24324-ME30-0000	AXLE SLEEVE	NC250
3	24302-ME30-0000	RETURN SPRING	NC250
4	24301-ME30-0000	GEARSHIFT SHAFT COMP	NC250
5	24104-ME30-0000	RIGHT FORK, COUNTERSHAFT	NC250
6	24105-ME30-0000	LEFT FORK, COUNTERSHAFT	NC250
7	24108-ME30-0000	GUIDE PIN, SELECTOR FORK CENTER	NC250
8	24400-0002-0072	GEARSHIFT SHAFT	70
9	88004-0008-0100	CONTACT [] CLEAR INDICATION	CG1250-2#
10	24200-ME30-0000	GEARSHIFT DRUM COMP	NC250
11	24202-ME30-0000	STOPPING PLATE	NC250
12	B000700106003570B	SCREW M6 × 35	GB70.1
13	24106-ME30-0000	CENTER FORK, MAINSHAFT	NC250
14	24107-ME30-0000	SHAFT, GEARSHIFT FORK	NC250
15	24304-ME30-0000	SPRING LOCATING PLATE	NC250
16	2434A-ME30-0000	LOCATING PLATE ASSY	NC250
17	93301-5065151800N	WASHER 6.5 × 1.5 × 18	ZS500
18	B166740A06002070B	BOLT M6 × 20	GB16674
19	24303-ME30-0000	SPRING, GEARSHIFT PLATE	NC250



MAGNETO / FLYWHEEL ASSY. (S14)			
REF.No.	PART No.	DESCRIPTION	
1	82120-ME30-000043	STATOR ASSY, MAGNETO	NC250
2	82130-ME30-0000	ROTOR ASSY, FLYWHEEL	NC250
3	B000700105003070B	SCREW M5 × 30	GB70.1
4	91213-ME30-0000	NUT M14 × 1.5	NC250
5	B000700105001070B	SCREW M5 × 10	GB70.1
6	93301-5152152500N	WASHER 15.2 × 1.5 × 25	ZS500



STARTER ASSY. (S15)			
REF.No.	PART No.	DESCRIPTION	
1	82200-ME30-000051	STARTING MOTOR ASSY	NC250
2	B166740A06002570X	BOLT M6×25	GB16674
3	21402-ME30-0000	SHAFT, REDUCTION, 1	NC250
4	21421-ME30-0000	TWIN GEAR, SET	NC250
5	B000700106003570B	SCREW M6×35	GB70.1
6	B0089401150000000	CIRCLIP 15	GB894.1
7	21402-ME30-0100	SHAFT, REDUCTION, 2	NC250
8	21401-ME30-0000	GEAR, REDUCTION, 2	NC250
9	B000700106003070B	SCREW M6×30	GB70.1



GASKET - SEAL SETS (UPPER SET ONLY)			
REF.No.	PART No.	DESCRIPTION	
S1	90104-ME30-0000	RING SEAL	NC250
S1	90101-30118000260	O-RING 11.8×2.6	NC250
S1	90101-30380000300	O-RING 38×3	ZS500
S1	18007-ME30-0000	SEAL, EXHAUST	NC250
S2	9022B-ME30-0000	GASKET ASSY, CYLINDER HEAD	NC250
S2	90211-BA81-0000	GASKET, TENSIONER	HIPERSO
S2	90205-ME30-0000	GASKET, CYLINDER BLOCK	NC250
S3	1572B-BA81-0000	SEAL, VALVE STEM	HIPERSO
S3	11264-ME30-0000	SEAL, CYLINDER HEAD	NC250

GASKET - SEAL SETS (COMPLETE SET)			
REF.No.	PART No.	DESCRIPTION	
S1	90104-ME30-0000	RING SEAL	NC250
S1	90101-30118000260	O-RING 11.8×2.6	NC250
S1	90101-30380000300	O-RING 38×3	ZS500
S1	18007-ME30-0000	SEAL, EXHAUST	NC250
S2	9022B-ME30-0000	GASKET ASSY, CYLINDER HEAD	NC250
S2	90211-BA81-0000	GASKET, TENSIONER	HIPERSO
S2	90205-ME30-0000	GASKET, CYLINDER BLOCK	NC250
S3	1572B-BA81-0000	SEAL, VALVE STEM	HIPERSO
S3	11264-ME30-0000	SEAL, CYLINDER HEAD	NC250
S4	90101-10132000865	O-RING 13.2×2.65	C100
S4	90304-ME30-0000	OIL SEAL 18×30×7	NC250
S4	9022B-ME30-0100	GASKET, DECOTATE COVER	NC250
S4	90206-ME30-0100	GASKET, CRANKCASE COVER, RH	NC250
S4	90101-30200000355	O-RING 20×3.55	NC250
S4	90217-ME30-0100	GASKET	NC250
S4	19012-ME30-0000	SEAL, WATER PUMP	NC250
S4	90326-ME30-0000	OIL SEAL 12×24×6	NC250
S4	90302-ME30-0000	OIL SEAL 14×24×7	NC250
S5	90101-30118000260	O-RING 11.8×2.6	NC250
S5	90207-ME30-0000	GASKET, COVER, LH	NC250
S5	90302-H092-0000	OIL SEAL 10×18×6	YB110
S5	90101-00250000355	O-RING 22.5×3.55	ZS96
S8	90303-ME30-0000	OIL SEAL 32×47×6	NC250
S8	90101-30175000180	O-RING 17.5×1.8	NC250
S8	90345-PE03-0000	OIL SEAL 15×25×5	LY350
S8	90305-1008-0100	OIL SEAL 14×22×5	CG1250
S9	90101-30175000180	O-RING 17.5×1.8	NC250
S9	90101-30300000260	O-RING 30×2.6	NC250
S11	90101-30210000200	O-RING 21 × 2	ZS500

All information in this offer sheet shall not be in any way copied or reproduced without the written consent from Crossfire Motorcycles.

PRICES SUBJECT TO CHANGE WITHOUT PRIOR NOTICE