

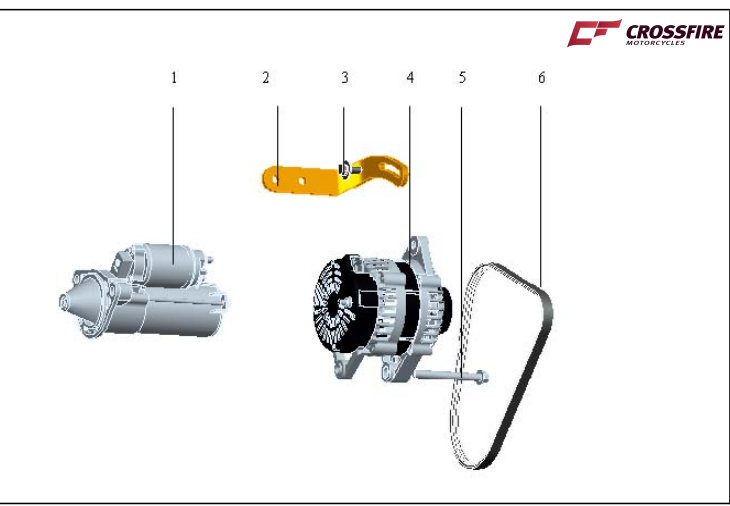




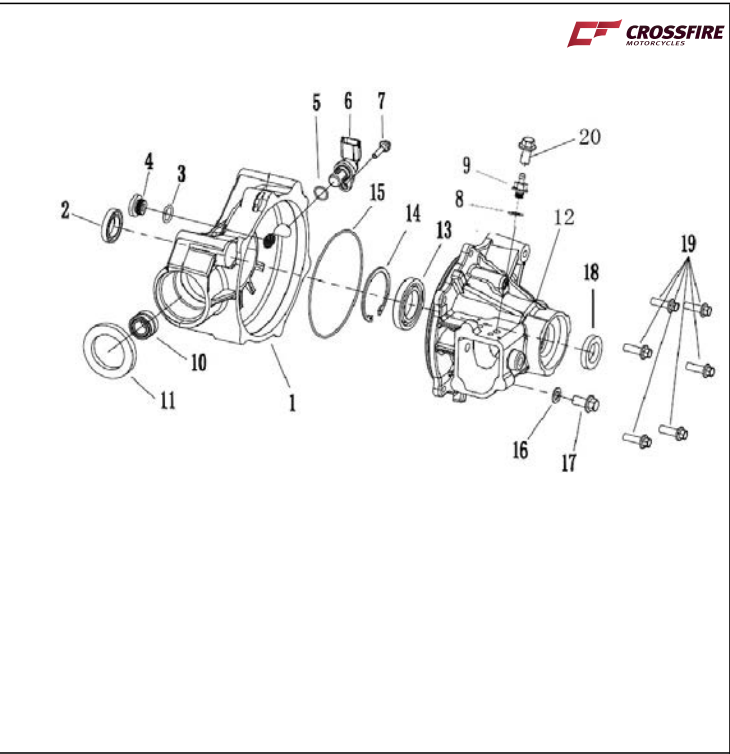




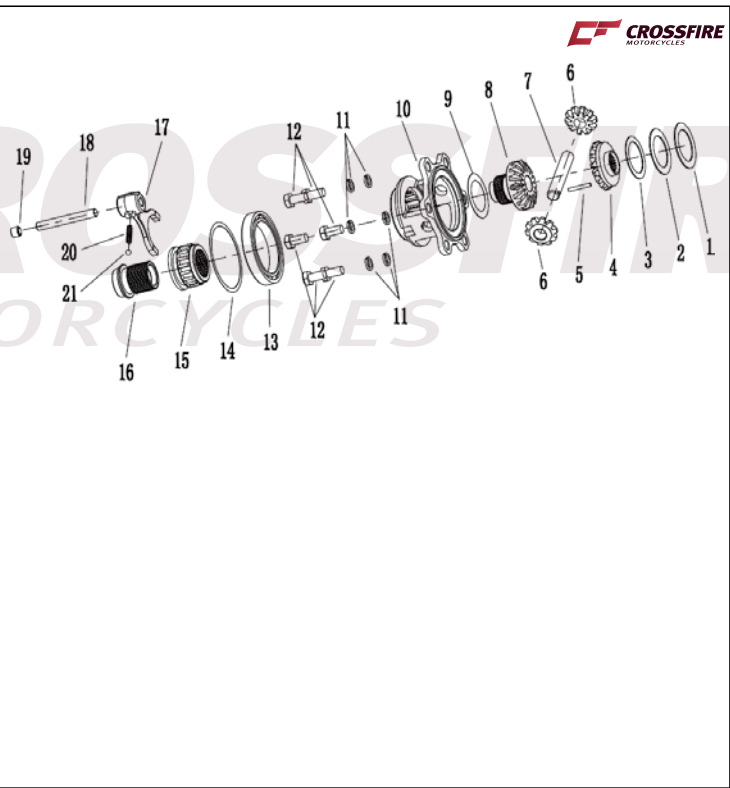
Electronic System and Accessories			
REF.No.	PART No.	DESCRIPTION	QTY
1	S11-3708110GA	Starter	1
2	472-3701211	Adjusting Bracket- Generator	1
3	S11-5000105	Bolt & Washer	1
4	S11-3701110BA	Generator	1
5	Q1841090	Hexagon Flange Bolt	1
6	S11-3701315	Generator Belt	1



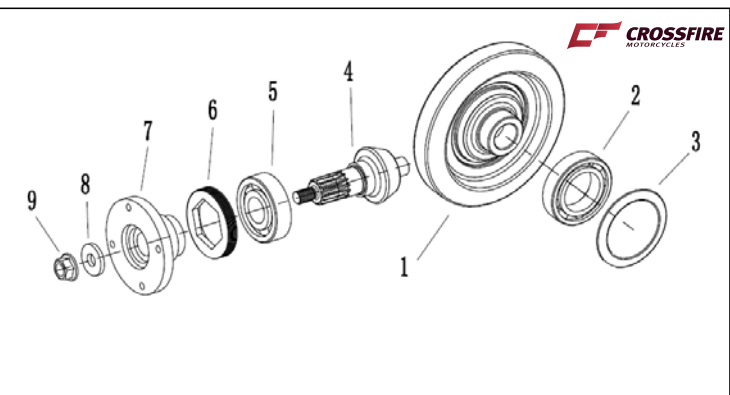
FRONT AXLE HOUSING GROUP			
REF.No.	PART No.	DESCRIPTION	QTY
1	29611-5010	FRONT AXLE LEFT CASE	1
2	9911-254000	OIL SEAL 25×40×7	1
3	9921-251650	O-RING φ16.5×φ2.5	1
4	9313-181003	BOLT M18×1.5×10	1
5	9921-151550	O-RING φ15.5×φ1.5	1
6	29660-5010	SPEED SENSOR	1
7	9111-060163	BOLT,FLANGE	1
8	9513-101800	ALUNINUM PAD	1
9	29670-5010	JOINT, BREATHER PIPE	1
10	NA5903GB/T5801-2006	NEEDLE BEARING	1
11	9911-456800	OIL SEAL 45×68×8	1
12	29621-5010	FRONT AXLE RIGHT CASE	1
13	16007GB/T276-94	BEARING 16007	1
14	9562-620207	CIRCLIP	1
15	9921-30A600	O-RING φ160×φ3	1
16	9513-101800	ALUNINUM PAD	1
17	9111-100123	BOLT,FLANGE	1
18	9911-254000	OIL SEAL 25×40×7	1
19	9113-080253	BOLT,FLANGE	6
20	9111-100083	BOLT,FLANGE	7



DIFFERENTIAL GROUP			
REF.No.	PART No.	DESCRIPTION	QTY
1	9511-395607	ADJUST WASHER C	1
2	9571-405707	FRICTION PAD	1
3	9522-405307	WASHER	1
4	27421-5010	LEFT HALF AXLE GEAR	1
5	9616-043007	PIN	1
6	27441-5010	PLANT GEAR	2
7	27493-5010	PLANT GEAR SHAFT	1
8	27431-5010	RIGHT HALF AXLE GEAR	1
9	9511-485807	ADJUST WASHER D	1
10	27411-5010	DIFFERENTIAL CASE	1
11	9521-101607	SPRING PAD 10	6
12	9121-100203	HEXAGON HEADED BOLT	6
13	61913GB/T276-94	BEARING 61913	1
14	9511-788807	ADJUST WASHER A	1
15	29691-5010	DRIVE CLUTCH	1
16	29692-5010	DRIVE CLUTCH COVER	1
17	29681-5010	FRONGT AXLE FORK	1
18	29693-5010	FORK SHAFT	1
19	9362-121003	SCREW M12×10	1
20	9811-050150	FORK SPRING	1
21	9031-200000	STEEL BALL	1

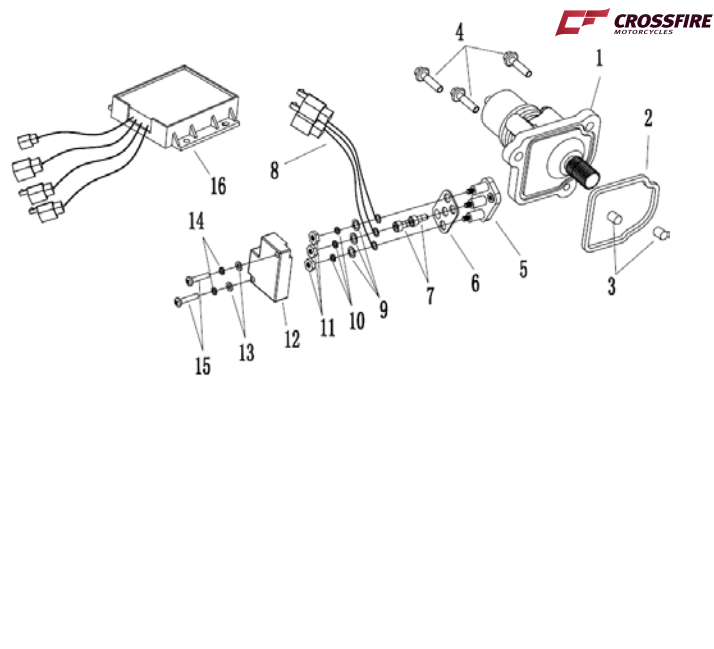


GEARSHIFT GROUP (FRONT AXLE)			
REF.No.	PART No.	DESCRIPTION	QTY
1	29640-5010	DRIVEN BEVEL GEAR FRONT ASLE	1
2	6008GB/T276-94	BEARING 6008	1
3	9511-546607	ADJUST WASHER B	1
4	29631-5010	DRIVE PINION GEAR	1
5	TM6305GB/T276-94	BEARING 6305	1
6	9432-651007	BEARING RETAINER	1
7	29651-5010	COUPLER	1
8	9511-123003	WASHER 12	1
9	9412-121203	NUT FLANGE	1



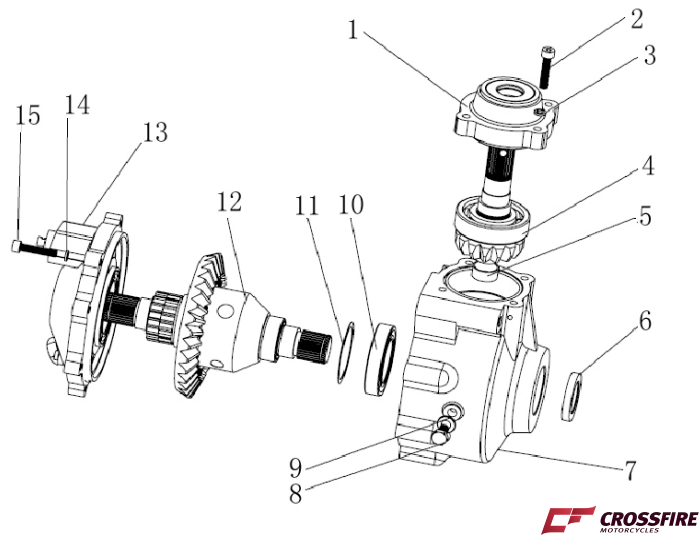
### TWO-FOUR-DRIVE CONVERSION MECHANISM FOR GROUP

REF.No.	PART No.	DESCRIPTION	QTY
1	27710-5010	GEAR MOTOR	1
2	27791-5010	RING	1
3	9613-081000	DOWEL PIN	2
4	9111-060253	BOLT,FLANGE	3
5	38720-5010	CONNTACT COMPONENTS	1
6	38741-5010	GASKET	1
7	9323-051507	SCREW	2
8	38730-5010	CONTACT WIRE	1
9	9511-040803	WASHER	3
10	9521-040707	SPRING PAD 4	3
11	9421-040303	HEX NUT	3
12	38751-5010	CONTACT COVER	1
13	9511-040803	WASHER	2
14	9521-040707	SPRING PAD	2
15	9342-042203	SCREW	2
16	38710-5010	DIFFERENTIAL CONTROLLER	1



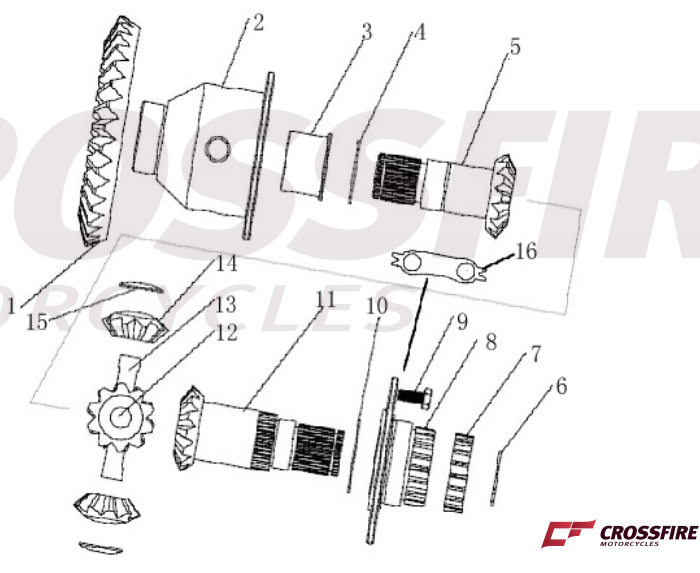
### REAR AXLE

REF.No.	PART No.	DESCRIPTION	QTY
1	UV800-1021-00	GEAR MOTOR ASSEMBLY	1
2	GB/T 70.1 M8*40	BOLT M8*40	4
3	GB/T93-1987/φ8.5-2.5	SPRING WASHER φ8.5-2.5	4
4	UV800-3022-S-00	DRIVE GEAR ASSEMBLY	1
5	NA2512	BEARING NA2512	1
6	GB/T13871-92/FV35-55-8F	OIL SEAL 35*55*8	1
7	UV800-1001	FRONT DIFFERENTIAL GEAR CASE COVER	1
8	GB/T70-1985/M10*20	DRAIN BOLT M10*20	1
9	UV650-10015	WASHER	1
10	GB/T276-94/6010	BEARING 6010	1
11	UV800-1213	ADJUST WASHER	1
12	UV800-3023-S-00	DIFFERENTIAL GEAR ASSEMBLY	1
13	UV800-1002-00	DIFFERENTIAL GEAR CASE	1
14	GB/T93-1987/φ8.5-2.5	SPRING WASHER φ8.5-2.5	8
15	GB/T 70.1 M8*40	BOLT M8*40	8



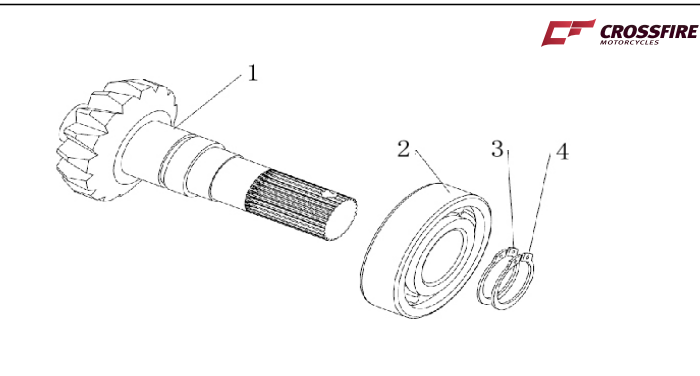
### DIFFERENTIAL GEAR ASSEMBLY

REF.No.	PART No.	DESCRIPTION	QTY
1	UV800-3023-S	DRIVEN GEAR	1
2	UV800-1207	SUPPORT , DIFFERENTIAL GEAR, R	1
3	UV800-1214	BUSH	1
4	UV800-1212	ADJUST WASHER	1
5	UV800-1211	GEAR,SHAFT SET, R	1
6	GB/T894.1-86/φ35	RETAINER φ35	2
7	UV800-1203	LINK GEAR	1
8	UV800-1206	SUPPORT , DIFFERENTIAL GEAR, L	1
9	GB/T5786-2000/M8*1*20	BOLT M8*1*20	12
10	UV800-1205	ADJUST WASHER	1
11	UV800-1204	GEAR,SHAFT SET, R	1
12	UV800-1208	PLANET GEAR SHAFT 1	1
13	UV800-1209	PLANET GEAR SHAFT 2	1
14	UV800-1210	PLANET GEAR	4
15	UV800-1216	SPHERE WASHER	4
16	UV800-1220	RETAINER WASHER	6



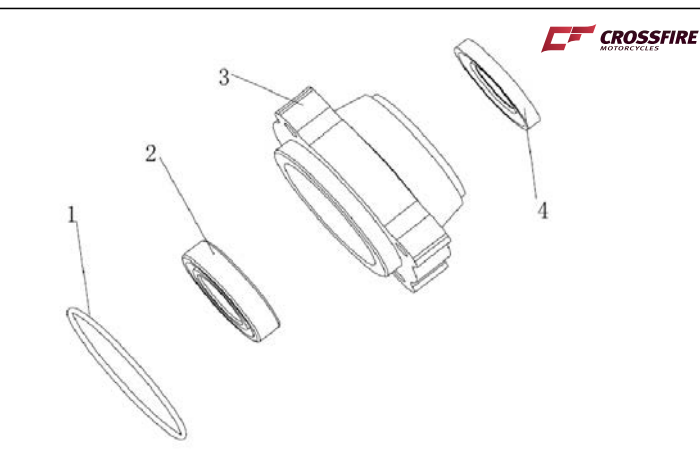
### DRIVE GEAR ASSEMBLY

REF.No.	PART No.	DESCRIPTION	QTY
1	UV800-3022-S	DRIVE GEAR	1
2	GB/T276-94/6307	BEARING 6307	1
3	GB/T894.1-86/φ35	RETAINER φ35	1
4	GB/T894.1-86/φ35	RETAINER φ35	1

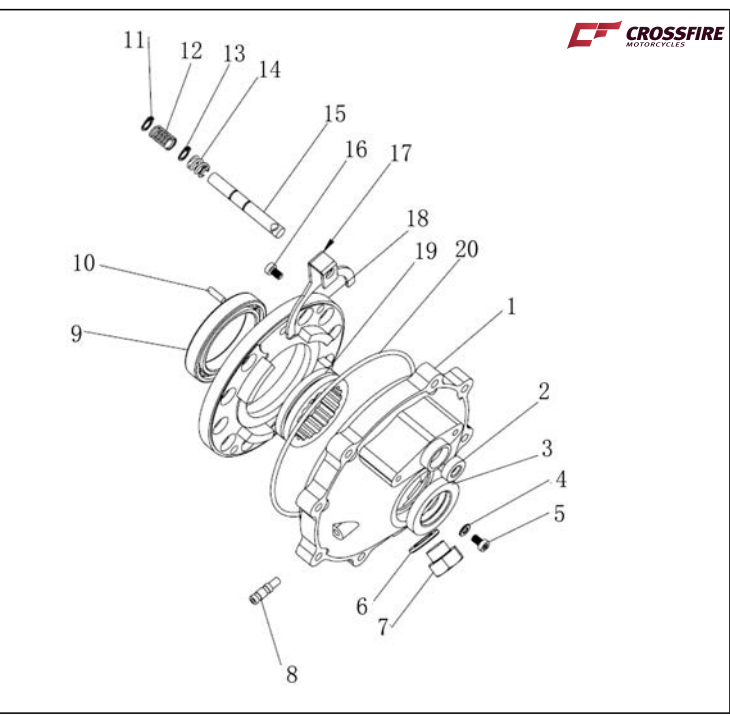


### E20 UV800-1021-00 GEAR MOTOR ASSEMBLY

REF.No.	PART No.	DESCRIPTION	QTY
1	GB/T3452.1-92/77.5*2.65	O-RING 77.5*2.65	1
2	GB/T276-94/6006	BEARING 6006	1
3	UV800-1021	GEAR MOTOR	1
4	GB/T9877.2-88/FB25-52-7F	OIL SEAL 25*52*7	1



E21 UV800-1002-00 DIFFERENTIAL GEAR CASE			
REF.No.	PART No.	DESCRIPTION	QTY
1	UV800-1002	FRONT DIFFERENTIAL GEAR CASE	1
2	GB/T13871-92/FB10-22-7F	OIL SEAL 10*22*7	1
3	GB/T13871-92/FB35-55-8F	OIL SEAL 35*55*8	1
4	GB/T848-1985/Φ6*1	WASHER	1
5	GB/T70-1985/M6*10	BOLT M6*10	1
6	UV650-10005	WASHER	1
7	UV650-10006	STOPPER	1
8	UV650-10013	EXHAUST VALVE	1
9	GB/T276-94/61912	BEARING 61912	1
10	GB/T829.1-92/Φ5*20	SHAFT Φ5*20	1
11	GB/T894.1-86/Φ10	RETAINER Φ10	1
12	UV800-1201-2	SPRING	1
13	GB/T894.1-86/Φ10	RETAINER Φ10	1
14	UV800-1201-5	SPRING	1
15	ZLQ7-22	RETAINER GUIDE BAR	1
16	GB/T70-1985/M6*16	BOLT M6*16	2
17	UV800-1201-4	RETAINER SHIFT FORK	1
18	UV800-1005A	INNER COVER	1
19	UV800-1202	RETAINER	1
20	GB/T3452.1-92/Φ160*2.65	O-RING 160*2.65	1



**CROSSFIRE**  
MOTORCYCLES