

CF140 Parts Manual

REF. No.	PART No.	DESCRIPTION	QTY Per Bike
----------	----------	-------------	--------------



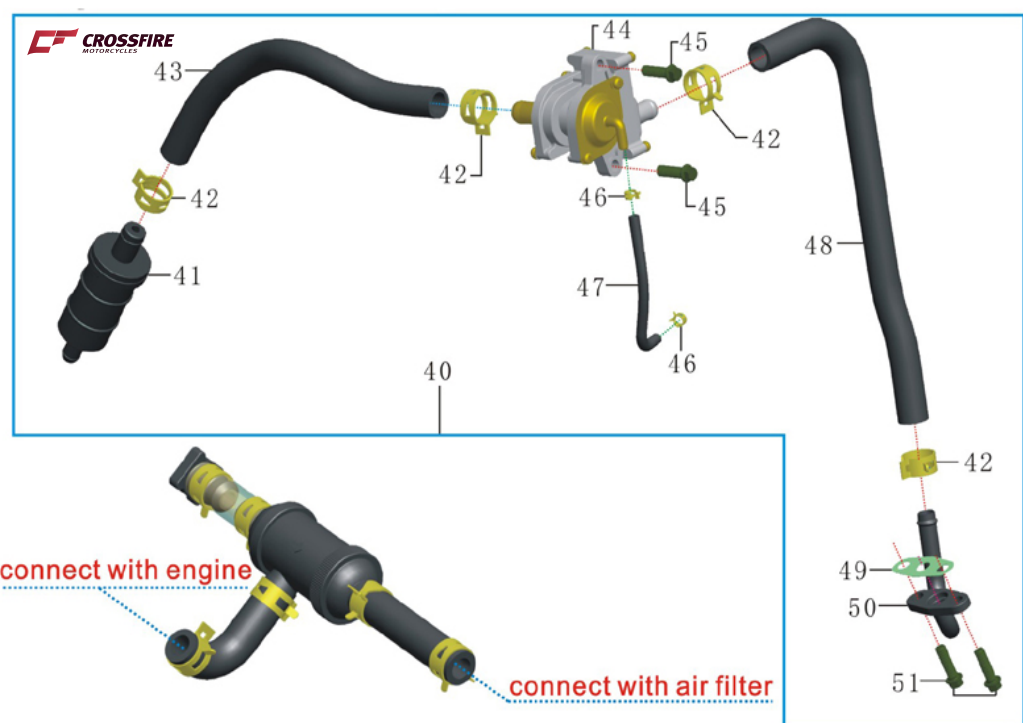
ENGINE, CARBURETOR AND AIR FILTER ASSY. SECTION 1

REF.No.	PART No.	DESCRIPTION	QTY
1-1	N/A	bolt-flanged M6*25	2
1-2	N/A	bolt-flanged M6*20	2
1-3	Y33630001aG	intake manifold	1
1-4	N/A	spacer, (composite plastic)	1
1-5	N/A	O-ring, carburetor, (rubber)	1
1-6	Y335801	carburetor	1
1-7	G889M6G	nut,locking M6	2
1-8	Y325901aS01	clamp, filter	1
1-9		filter, air	1
1-10	N/A	clamp, hose	1
1-11	N/A	hose, overflow	1
1-12	Y335701	lever, kick start	1
1-13	N/A	bolt-flanged M6*20	1
1-14	6187M8G	nut,flanged,locking M8	2
1-15	ZW125JQFG416dB01	engine W125CC	1
1-16	Y32370008G02	bolt-flanged M8*150*1.25	1
1-17	G701M8105125GJ	bolt M8*105*1.25	1
1-18	Y325402D01	lever, shift	1
1-19	Y335501	sprocket, engine 420-16T	1
1-20	23402-D002-0000	locking washer, sprocket	1
1-21	B057830006001070B	bolt M6*8	2
1-22	Y335105cS01	cover, chain	1
1-23	N/A	bolt-flanged M6*35	3
1-24	Y321804bB01	engine skid plate (protector)	1
1-25	G16674M616G	bolt-flanged M6*16	2
1-26	G5783M835125G	bolt M8*35*1.25	2
1-27	G5783M825125G	bolt M8*25*1.25	2
1-28	Y32360001W02	bracket, engine, bottom	2
1-29	N/A	gasket, intake manifold	1
1-30	N/A	bolt M6*20	1
1-31	N/A	clamp, hose Φ13	1
1-32	N/A	hose	1
1-33	N/A	air/oil seperator	1
1-34	N/A	hose	1
1-35	N/A	hose	1
1-36	N/A	cap, air/oil seperator	1
1-37	N/A	clamp, hose Φ15	4
1-38	N/A	clamp, hose Φ11	1
1-39	Y21A7002	air/oil seperator Assy. EPA	1
1-40	Y21A7001a	actuator valve assy. EPA	1
1-41	N/A	filter	1
1-42	N/A	clamp, hose Φ11	4
1-43	N/A	hose, intake 1	1
1-44	N/A	2 Valve	1
1-45	G16674M620G	bolt, flanged M6*20	2
1-46	N/A	clamp, hose Φ6	2
1-47	N/A	hose, intake 3	1
1-48	N/A	hose, intake 2	1
1-49	90268-DA80-0000	washer	1
1-50	N/A	pipe for air fitter	1
1-51	N/A	bolt, flanged M6*20	2
ASSY.1	Y336301	(4)(5)(29)	

USD:



CROSSFIRE
MOTORCYCLES



EXHAUST ASSY. SECTION 2

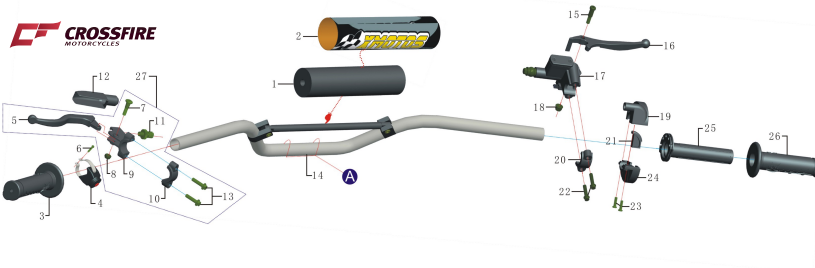
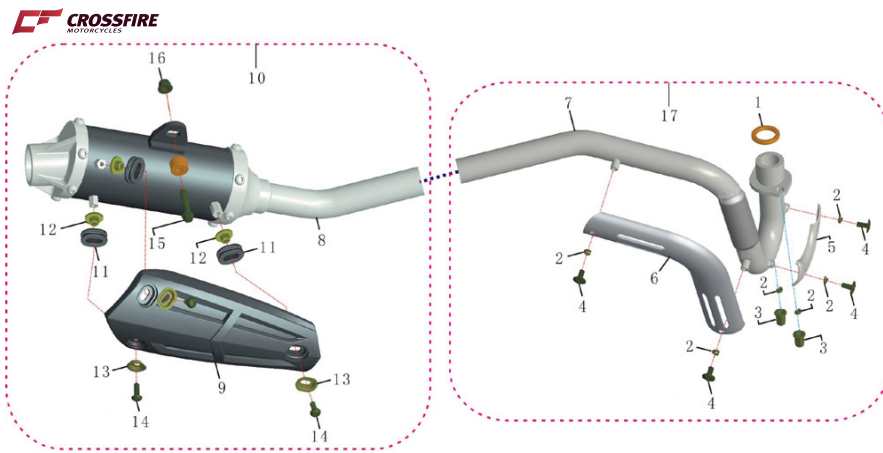
REF.No.	PART No.	DESCRIPTION	QTY
2-1	N/A	seal, exhaust	1
2-2	N/A	lock washer Φ6	6
2-3	Y80370009G02	bolt M6	2
2-4	N/A	bolt M6*12	4
2-5	N/A	shield, heat, pipe front	1
2-6	N/A	shield, heat, pipe rear	1
2-7	N/A	pipe, exhaust	1
2-8	Y336203cB01	muffler	1
2-9	Y31620003B01	shield, heat, muffler	1
2-10	Y336203dB01	muffler, ASSY.	1
2-11	Y31340007B01	grommet, round	3
2-12	Y33B360003G02	spacer Φ7*Φ10.3*Φ20*7	3
2-13	Y37370007G02	washer, oval FB Φ6	3
2-14	G702M616G	bolt M6*16	3
2-15	G16674M825125G	bolt-flanged M8*25*1.25	1
2-16	G6187M8G	nut, flanged, locking M8	1
2-17	Y336201a	pipe, exhaust assy.	1
2-18	Y33620001a	2, 4, 6	1
2-19	Y33620001c	2, 4, 5	1

USD:

HANDLEBAR ASSY. SECTION 3

REF.No.	PART No.	DESCRIPTION	QTY
3-1	Y31110007B01	foam padding, crossbar, 45*230	1
3-2	Y3011000804	cover, foam padding	1
3-3	Y31110010aB01	grip, LH	1
3-4	Y377904a	stop switch	1
3-5	Y32110201B01	lever, clutch	1
3-6	G818M416G	bolt M4*16	1
3-7	N/A	bolt, housing, clutch lever	1
3-8	N/A	nut, locking M6	1
3-9	N/A	housing, clutch lever	1
3-10	N/A	bracket, lever housing	1
3-11	N/A	clutch lever adjuster	1
3-12	Y37340008B01	lever, clutch grip	1
3-13	N/A	bolt-flanged M6*20	2
3-14	Y321101S02	handel bar	1
3-15	N/A	bolt, brake lever	1
3-16	Y31170101bB01	lever, brake	1
3-17	SEE SECTION 11	master cylinder, front, top	1
3-18	N/A	nut, locking M6	1
3-19	Y31110101B01 N/A	housing, throttle, top	1
3-20	N/A	bracket, master cylinder, mirror, RH	1
3-21	Y31110103B01 N/A	guide, throttle cable	1
3-22	N/A	bolt-flanged M6*20	2
3-23	G818M516G	bolt M5*16	2
3-24	Y31110102B01 N/A	housing, throttle, bottom	1
3-25	Y31110012B01	insert, throttle handle	1
3-26	Y31110011aB01	grip, right	1
3-27	Y321102B01	lever, clutch assy.	1
ASSY.2	GP501101B01	(19)(21)(23)(24)	1

USD:



CROSSFIRE
MOTORCYCLES

FORK ASSY., FRONT . SECTION 4

REF.No.	PART No.	DESCRIPTION	QTY
4-1	G701M8105125GJ	bolt M8*105*1.25	4
4-2	Y31130002aS01J	riser, handle bar, top Φ22	1
4-3	Y31130001S01J	riser, handle bar, bottom Φ22	2
4-4	Y31370009D01	nut, cap, steering stem M22	1
4-5	Y33370002W02	flat washer Φ22*Φ36*3	1
4-6	N/A	bolt M8*20*1.25	2
4-7	Y31130003S01J	triple clamp, top	1
4-8	G97F8G	flat washer Φ8	4
4-9	G93F8G	lock washer Φ8	4
4-10	G889M8G	nut, locking M8	4
4-11	Y31370016W02	locking nut M25*1	1
4-12	G297Y32005X	bearing 32005X	2
4-13	N/A	bolt M6*20	4
4-14	Y31130005dS01J	triple clamp, bottom	1
4-15	G818M512G	bolt M5*12	1
4-16	Y31210019W01	bracket, brake hose, (plastic)	1
4-17	Y30130007L	steering stem Φ25*M22*231mm	1
4-18	Y331401dJ02	RHnon-adjustable inverted fork, RH	1
4-19		non-adjustable inverted fork, LH	1
4-20	G889M6G	nut, locking M6	2
4-21	G702M616G	bolt M6*16	2
4-22	Y31360005S01	bracket, brake hose	2
4-23	Y31210003B01	guard, fork, RH (protector)	1
4-24	Y31210002B01	guard, fork, LH (protector)	1
4-25	Y37370006G02	bolt Φ10*4*M6*8	5
4-26	SEE SECTION 11	disc, brake, front, bottom	1
4-27	Y33170102	brake pads, front, standard	1
4-28	G16674M825125G	bolt M8*25*1.25	2
4-29	Y31370001	seal, dust, steering stem	2
4-30	Y37370002bW02	flat washer Φ25*Φ36*2	1
ASSY.3	Y31360005S01	20, 21, 22	1

USD:

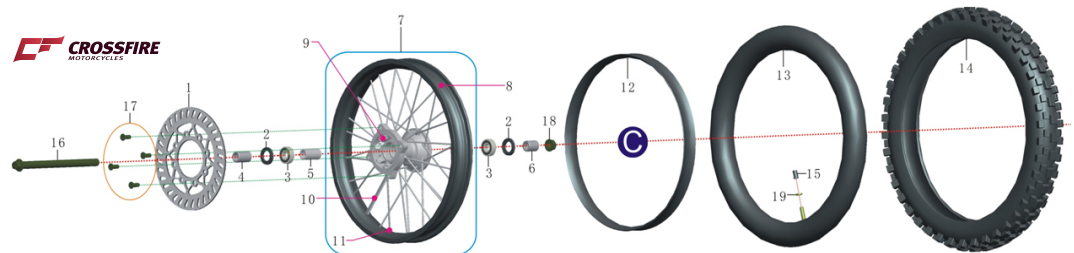
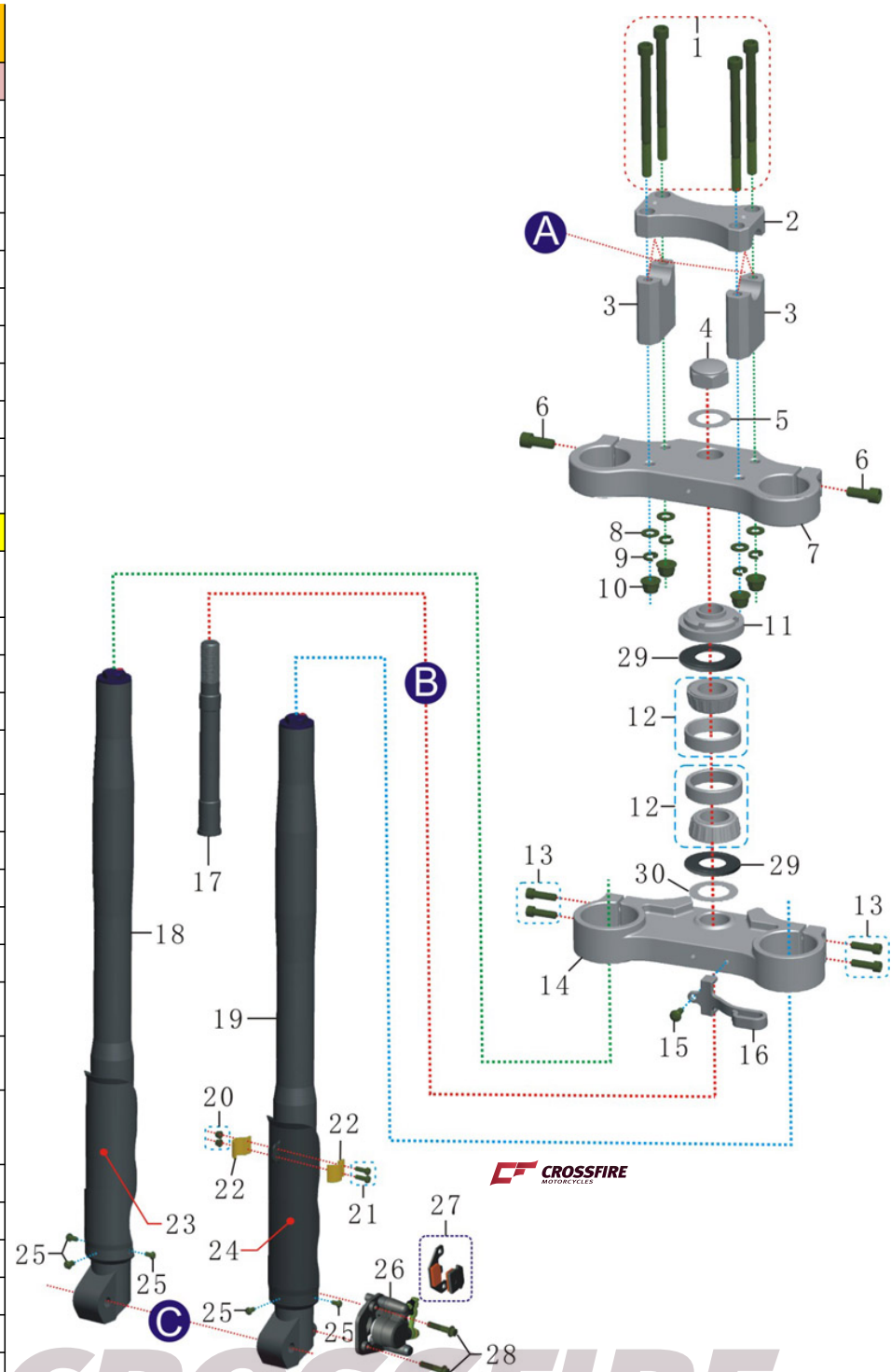
FRONT WHEEL ASSY. SECTION 5

REF.No.	PART No.	DESCRIPTION	QTY
5-1	Y30170001	disc, brake, front Φ210	1
5-2	Y80A160103	seal, dust 35*22*7	2
5-3	Y31A160104	front rim bearing 6202-2RS	2
5-4	Y33160007aW02	spacer Φ15*Φ22*30	1
5-5	Y80A160305	spacer Φ15*Φ22*43	1
5-6	Y32160008W02	spacer Φ15.5*Φ22*24	1
5-7	Y801601B01	rim assy. Front, 1.40*14"	1
5-8	Y80A160101aB01	rim, front 14"	1
5-9	Y80A160102S01	hub, front	1
5-10	Y80A160106a	spokes	32
5-11	Y80A160107	nut, spokes	32
5-12	Y80160004	inner tube protector band	1
5-13	Y80160003	inner tube	1
5-14	Y80160002	tire, front, 14"	1
5-15	Y37160005B01	cap, air valve	1
5-16	Y32160001G02	bolt, flanged M14*215	1
5-17	Y80370006G02	bolt M8*16	4
5-18	G6187M14150G	nut, flanged, locking M14*1.5	1
5-19	G6170M8G	nut m8	1
5-20			
5-21			
5-22			

USD:

REAR WHEEL ASSY. SECTION 6

REF.No.	PART No.	DESCRIPTION	QTY
6-1	G14212L420114	chain 420-114L	1
6-2	Y80360006W02	locking washer, sprocket	2
6-3	Y8028001042041B01	sprocket, rear 420-41T/ Φ76*Φ92	1
6-4	Y21D170001	disc, brake, rear Φ200	1
6-5	Y80A160103	seal, dust 35*22*7	2
6-6	Y31A160104	front rim bearing 6202-2RS	2



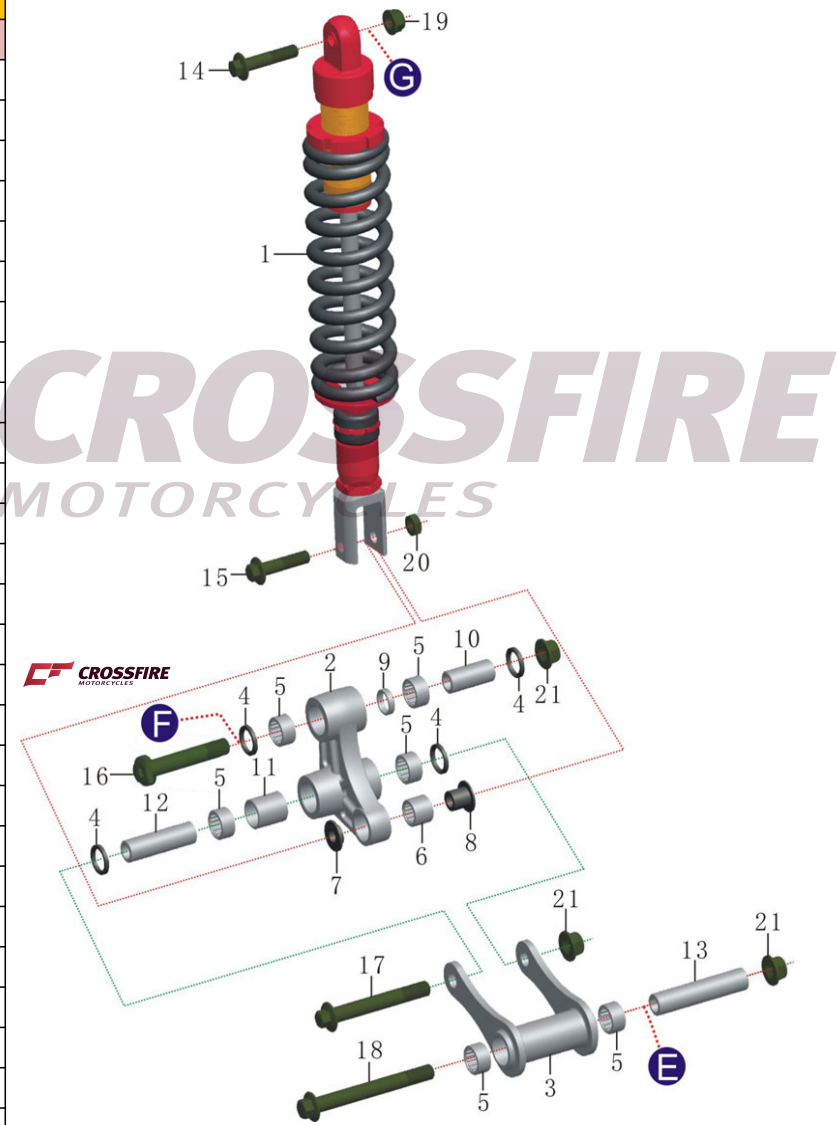
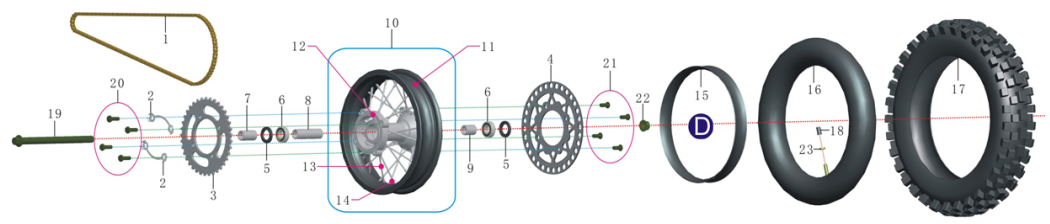
6-7	Y21D280008W02	spacer $\Phi 15 \times \Phi 22 \times 39.5$	1
6-8	Y80A280305	spacer $\Phi 15.5 \times \Phi 22 \times 73$	1
6-9	Y30280007W02	spacer $\Phi 15.2 \times \Phi 22 \times 28.5$	1
6-10	Y802801B01	rim, rear assy. 1.85"12"	1
6-11	Y80A280101aB01	rim, rear 12"	1
6-12	Y80A280102S01	hub, rear	1
6-13	Y80A280106a	spokes	32
6-14	Y80A280107	nut, spokes	32
6-15	Y80280004	inner tube protector band	1
6-16	Y80280003	inner tube	1
6-17	Y80280002	tire, front, 12"	1
6-18	Y37160005B01	cap, air valve	1
6-19	Y31280001G02	bolt, flanged M14*220	1
6-20	G5783M825125G	bolt M8*25*1.25	4
6-21	Y80370006G02	bolt M8*16	4
6-22	G6187M14150G	nut, flanged, locking M14*1.5	1
6-23	G6170M8G	nut m8	1
6-24			
6-25			
6-26			
6-27			
6-28			
6-29			
6-30			
6-31			

USD:

REAR SHOCK AND LINKAGE ASSY. SECTION 7

REF.No.	PART No.	DESCRIPTION	QTY
7-1	Y312701B01	shock absorber, non-adjustable L=370mm (S)	1
7-2	Y31260005S01	linkage, suspension	1
7-3	Y31260012S02B	suspension, tie rod	1
7-4	G9877F18243	seal, dust 18*24*3	4
7-5	G5801GHK1812	bearing HK1812	6
7-6	G5801GHK162216	bearing HK162216	1
7-7	Y31260013	spacer $\Phi 10 \times \Phi 16 \times 6$	1
7-8	Y31260013a	spacer $\Phi 10 \times \Phi 16 \times 17$	1
7-9	Y31260014aW02	spacer $\Phi 20 \times \Phi 24 \times 6$	1
7-10	Y31260014b	spacer $\Phi 12 \times \Phi 18 \times 40$	1
7-11	Y31260014W02	spacer $\Phi 20 \times \Phi 24 \times 27$	1
7-12	Y31260014c	spacer $\Phi 12.2 \times \Phi 18 \times 61$	1
7-13	Y31260014d	spacer $\Phi 12.2 \times \Phi 18 \times 83$	1
7-14	G16674M1040125GJ	bolt-flanged M10*40*1.25	1
7-15	G16674M1045125GJ	bolt-flanged M10*45*1.25	1
7-16	Y33370023G02	bolt, M12*70	1
7-17	G16674M1290125GJ	bolt-flanged M12*90*1.25	1
7-18	G16674M12110125GJ	bolt-flanged M12*110*1.25	1
7-19	G6187M10125G	nut, flanged, locking M10*1.25	1
7-20	G6170M10G	nut M10	1
7-21	G6187M12125G	nut, flanged, locking M12*1.25	3
7-22			
7-23			
7-24			
7-25			
7-26			
7-27			

USD:



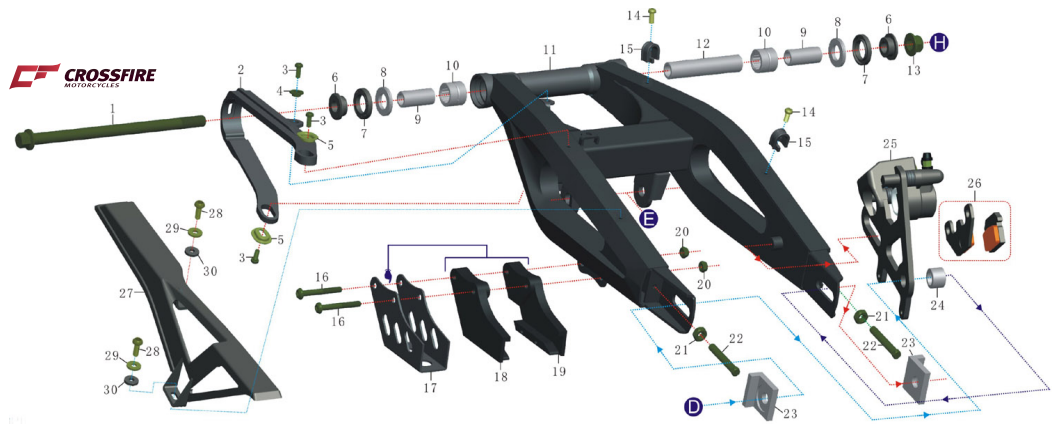
REAR SWING ARM ASSY. SECTION 8

REF.No.	PART No.	DESCRIPTION	QTY
8-1	Y31260001G02	bolt, flanged M12*215	1
8-2	Y30340002B01	guide, chain, swing arm	1
8-3	G819M612G	bolt, M6*12	3
8-4	Y37360003gG02	spacer $\Phi 7^* \Phi 9^* \Phi 15^* 4$	1
8-5	Y37370007G02	washer, oval $\Phi 6$	2
8-6	Y31260002G02	spacer $\Phi 12^* \Phi 20^* \Phi 28^* 10$	2
8-7	G9877F20325	seal, dust 20*32*5	2
8-8	G4663TAXK1730	bearing AXK1730/AS1730	2
8-9	Y30260003	spacer $\Phi 12 \times \Phi 17 \times 35$	2
8-10	G5801GNK1720	bearing NK17/20	2
8-11	Y332601aB02B	rear swing arm	1
8-12	Y31260003L	spacer $\Phi 12.5^* \Phi 18^* 94.5$	1
8-13	G6187M12125G	nut, flanged, locking M12*1.25	1
8-14	G819M512G	bolt M5*12	2
8-15	Y31210021B01	bracket, brake hose	2
8-16	G702M645G	bolt M6*45	2
8-17	Y31360004S02B	plate, chain guide	1
8-18	Y31340003B01	chain guide insert, rubber, LH	1
8-19	Y31340004B01	chain guide insert, rubber, RH	1
8-20	G889M6G	nut, locking M6	2
8-21	Y37370012G02	nut M8	2
8-22	Y37370013G02	rear jack bolts M8*50	2
8-23	Y31260018S01	adjuster, wheel	2
8-24	Y30280008W02	spacer $\Phi 15^* \Phi 22^* 15$	1
8-25	SEE SECTION 11	caliper, brake, rear, bottom	1
8-26	Y21D290102	brake pads, rear, standard	1
8-27	Y37220001B01	cover, chain	1
8-28	G702M612G	bolt M6*12	2
8-29	G96F6G	flat washer $\Phi 6$	2
8-30	Y37340005B01	rubber washer $\Phi 6$	2
8-31			
8-32			
8-33			
8-34			
8-35			
8-36			

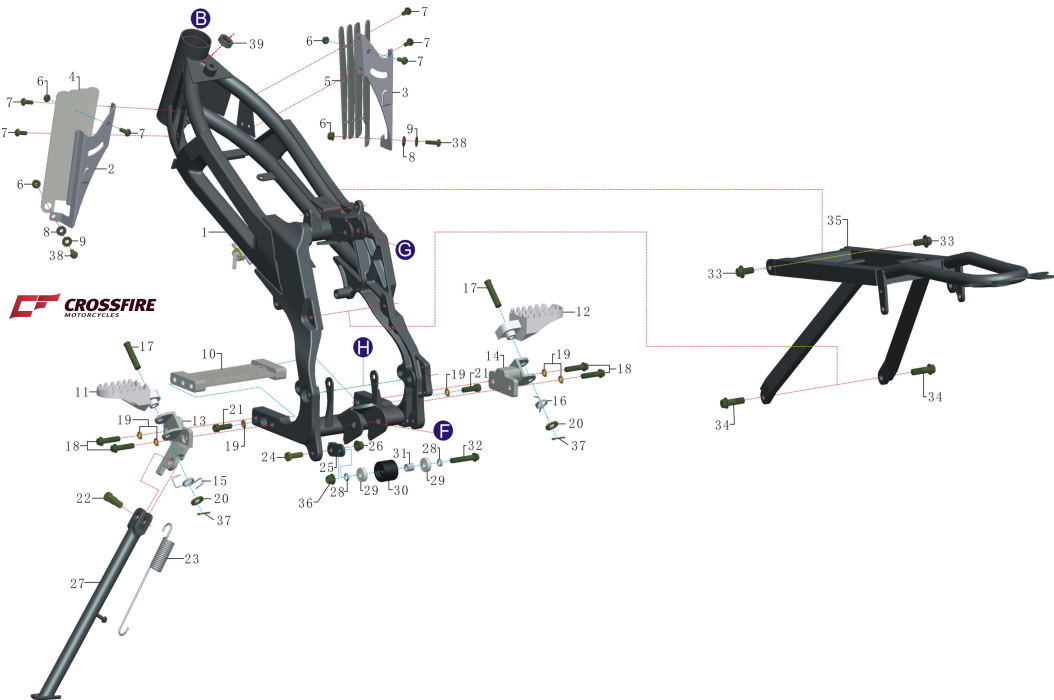
USD:

FRAME AND SUB-FRAME . SECTION 9

REF.No.	PART No.	DESCRIPTION	QTY
9-1	Y331801B02B	frame	1
9-2	Y33360010B02B	bracket, air deflector, LH	1
9-3	Y33360011B02B	bracket, air deflector, RH	1
9-4	Y31210014W01	air deflector, LH	1
9-5	Y31210015W01	air deflector, RH	1
9-6	G889M6G	nut, locking M6	4
9-7	G702M612G	bol M6*12	6
9-8	Y37340005B01	rubber washer $\Phi 6$	2
9-9	G96F6G	flat washer $\Phi 6$	2
9-10	Y321803B02B	bracket, engine, bottom	1
9-11	Y31240001S02B	foot rest, LH	1
9-12	Y31240002S02B	foot rest, RH	1
9-13	Y32240003B02B	bracket, foot rest, LH	1
9-14	Y32240004B02B	bracket, foot rest, RH	1
9-15	Y31360037W02	spring, foot rest, LH	1
9-16	Y31360038W02	spring, foot rest, RH	1
9-17	G882F843G	pin, rod $\Phi 8^* 43$	2
9-18	G701M835125GJ	bolt, M8*35*1.25	4
9-19	G93F8G	lock washer $\Phi 8$	6
9-20	G97F8G	flat washer $\Phi 8$	2
9-21	G701M825125G	bolt M8*25*1.25	2
9-22	Y31370011G02	bolt M10*25	1
9-23	Y30360002W02	spring, main, kick stand 115mm	1
9-24	G5783M825125G	bolt M8*25*1.25	1
9-25	Y333621W02	bracket, roller, chain	1
9-26	G6187M8G	nut, flanged, locking M8	1
9-27	Y322302B02B	kick stand	1
9-28	Y313614W02	spacer $\Phi 12^* \Phi 8^* 3$	2
9-29	G276S608ZZ	bearing 608ZZ	2



CROSSFIRE MOTORCYCLES



9-30	Y31260015B01	roller, chain guide	1
9-31	Y333614W02	spacer $\Phi 8 \times \Phi 12 \times 10$	1
9-32	G16674M845125G	bolt-flanged M8*45*1.25	1
9-33	G16674M820125G	bolt-flanged M8*20*1.25	2
9-34	G16674M820125G	bolt-flanged M8*20*1.25	2
9-35	Y333001B02B	sub-frame assy.	1
9-36	G6187M8G	nut,flanged,locking M8	1
9-37	G91F225G	cotter pin 2*25	2
9-38	G702M620G	bol M6*20	2
9-39	Y31340007B01	grommet, round	1

USD:

BRAKE ASSY. SECTION 10

REF.No.	PART No.	DESCRIPTION	QTY
10-1	SEE SECTION 11	master cylinder, rear, top	1
10-2	Y32250001B02B	lever, brake, rear	1
10-3	Y31250002S01	brake lever tip (alloy)	1
10-4	G16674M620G	bolt-flanged M6*20	2
10-5	G701M616G	bolt M6*16	2
10-6	G91F225G	cotter pin 2*25	1
10-7	G882F616G	pin, lever, brake, $\Phi 6 \times 16$	1
10-8	Y32370010G02	bolt $\Phi 12 \times 19 \times M8 \times 26$	1
10-9	G276S6901Z	bearing 6901Z	1
10-10			
10-11			
10-12			
10-13			
10-14			
10-15			
10-16			
10-17			
10-18			
10-19			
10-20			
10-21			

USD:

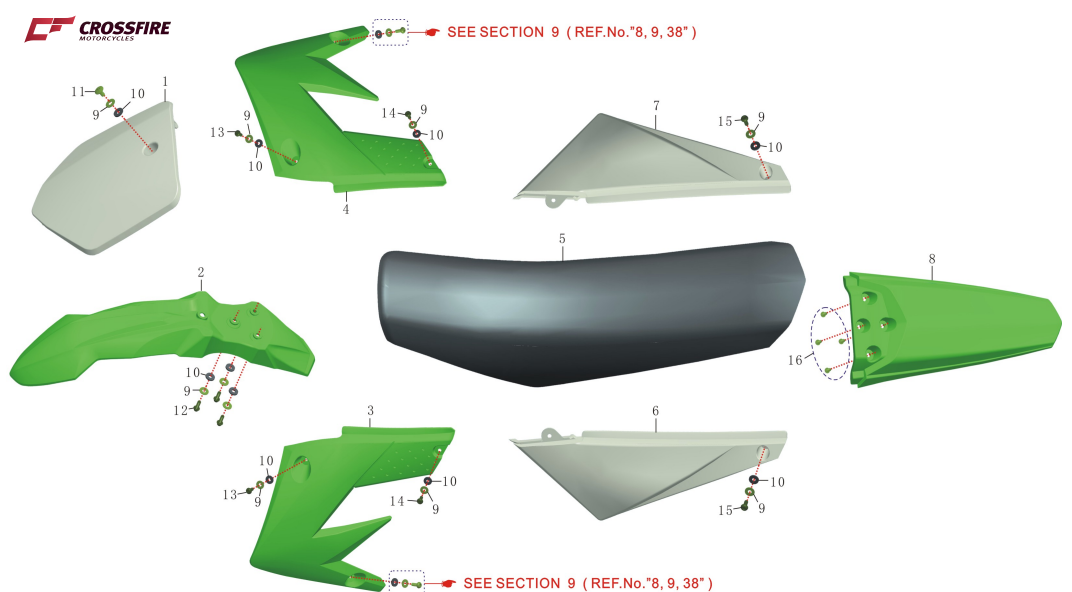
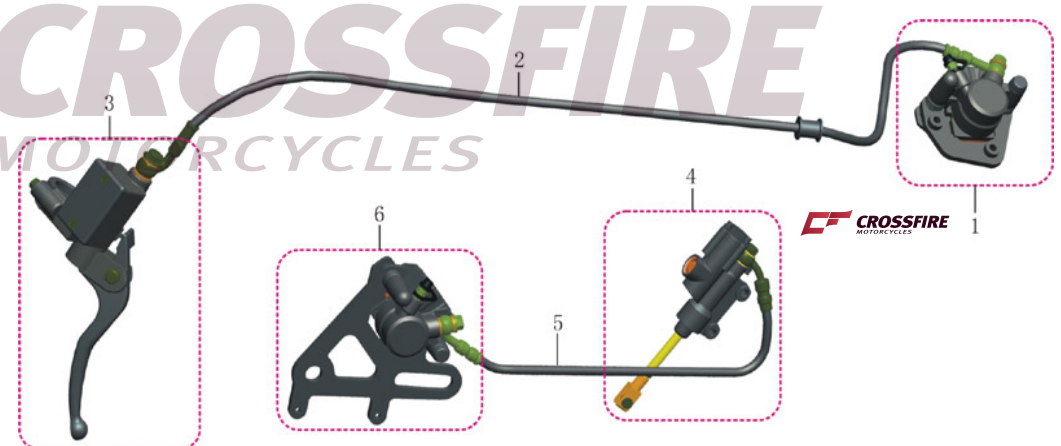
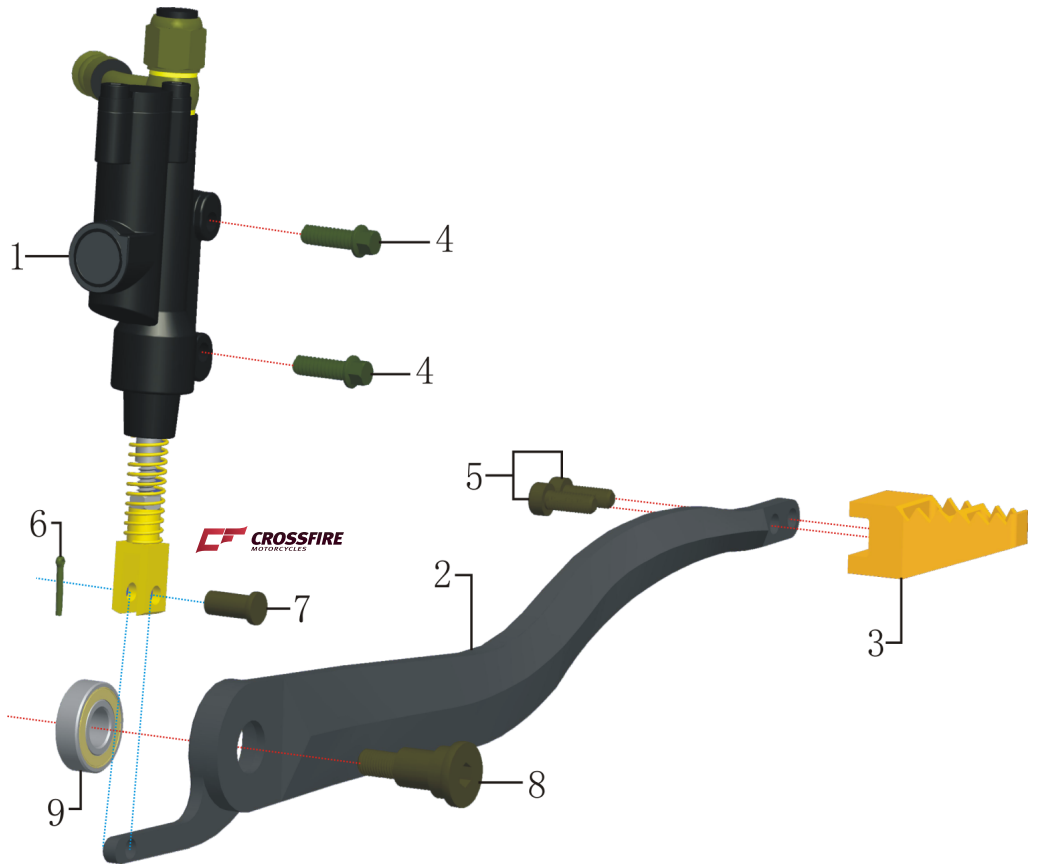
BRAKE ASSY.2, FT & RR . SECTION 11

REF.No.	PART No.	DESCRIPTION	QTY
ASSY.4	Y302901B01	brake assy., rear	1
ASSY.5	Y301701bB01	brake assy., front	1
11-1	Y30170104B01	disc, brake, front, bottom	1
11-2	Y30170106S01	hose, brake, front	1
11-3	Y30170103B01	master cylinder, front, top	1
11-4	Y33290103B01	master cylinder, rear, top	1
11-5	Y33290106S01	hose, brake, rear	1
11-6	Y30290104B01	caliper, brake, rear, bottom	1
11-7			
11-8			
11-9			

USD:

FENDER AND SEAT ASSY. SECTION 12

REF.No.	PART No.	DESCRIPTION	QTY
12-1	Y33210001W01	number plate, front, white	1
12-2	Y33150001G01	fender, front, green	1
12-2	Y33150001C01	fender, front, orange	1
12-2	Y33150001L01	fender, front, blue	1
12-2	Y33150001R01	fender, front, red	1
12-2	Y33150001Y01	fender, front, yellow	1
12-2	Y33150001B01	fender, front, black	1
12-2	Y33150001W01	fender, front, white	1
12-3	Y33210004G01	fairing, fuel tank, green, LH	1
12-3	Y33210004C01	fairing, fuel tank, orange, LH	1
12-3	Y33210004L01	fairing, fuel tank, blue, LH	1
12-3	Y33210004R01	fairing, fuel tank, red, LH	1
12-3	Y33210004Y01	fairing, fuel tank, yellow, LH	1
12-3	Y33210004B01	fairing, fuel tank, black, LH	1
12-3	Y33210004W01	fairing, fuel tank, white, LH	1
12-4	Y33210005G01	fairing, fuel tank, green, RH	1
12-4	Y33210005C01	fairing, fuel tank, orange, RH	1
12-4	Y33210005L01	fairing, fuel tank, blue, RH	1



12-4	Y33210005R01	fairing, fuel tank, red, RH	1
12-4	Y33210005Y01	fairing, fuel tank, yellow, RH	1
12-4	Y33210005B01	fairing, fuel tank, black, RH	1
12-4	Y33210005W01	fairing, fuel tank, white, RH	1
12-5	Y333201B01	seat	1
12-6	Y33210008W01	fairing, rear, white, LH	1
12-7	Y33210009W01	fairing, rear, white, RH	1
12-8	Y33310001G01	fender, rear, green	1
12-8	Y33310001C01	fender, rear, orange	1
12-8	Y33310001L01	fender, rear, blue	1
12-8	Y33310001R01	fender, rear, red	1
12-8	Y33310001Y01	fender, rear, yellow	1
12-8	Y33310001B01	fender, rear, black	1
12-8	Y33310001W01	fender, rear, white	1
12-9	G96F6G	flat washer Φ6	10
12-10	Y37340005B01	rubber washer Φ6	10
12-11	G818M512G	bolt, M5*12	1
12-12	G16674M616G	bolt-flanged M6*16	3
12-13	G702M612G	bolt, M6*12	2
12-14	G702M616G	bolt, M6*16	2
12-15	G702M616G	bolt, M6*16	2
12-16	G845ST4816G	bolt, ST4.8*16	4
12-17			
12-18			

USD:

(EPA) FUEL TANK ASSY. SECTION 13

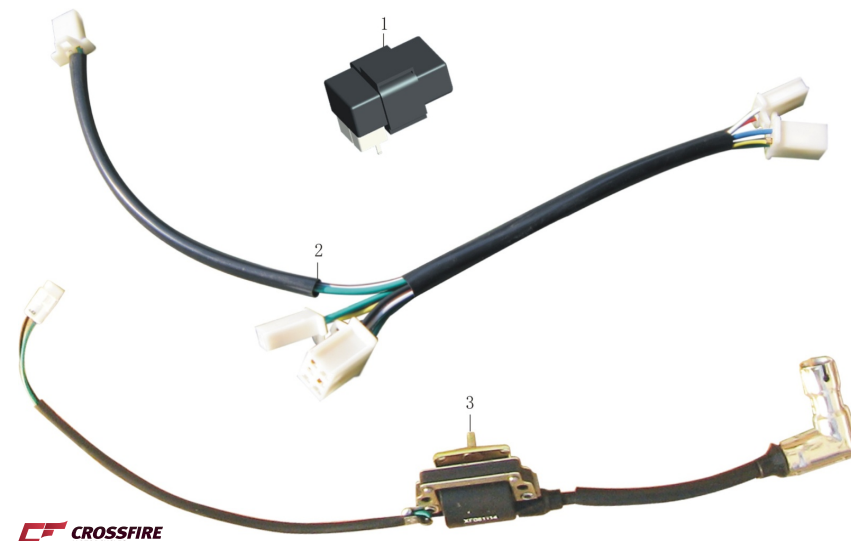
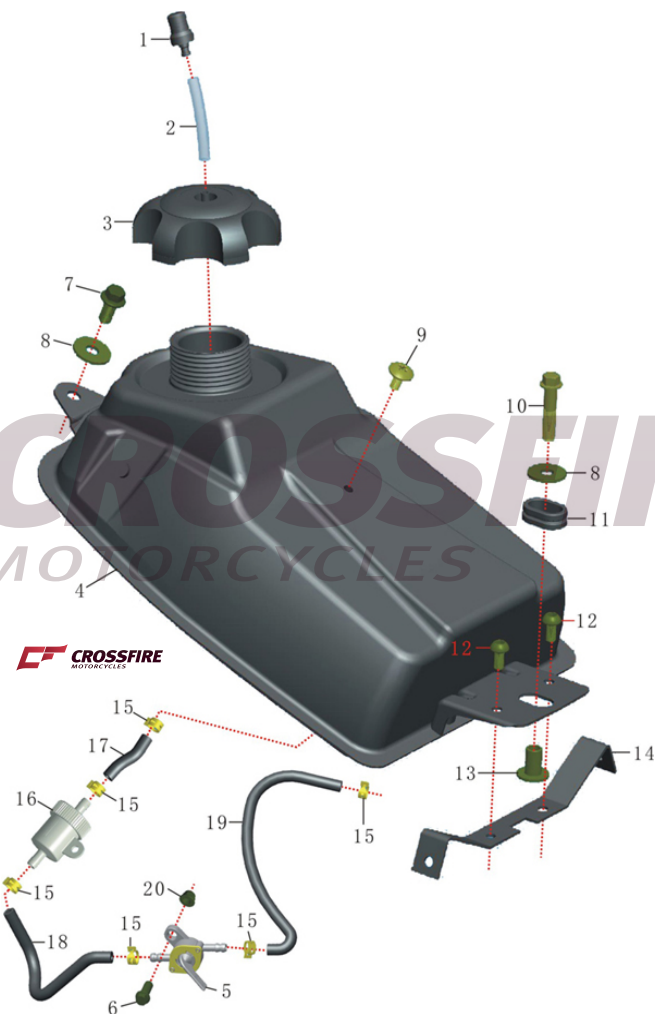
REF.No.	PART No.	DESCRIPTION	QTY
13-1	Y37210028aB01	cap, breather hose	1
13-2	Y21A340010S01	hose, breather	1
13-3	Y21A1902aB01	fuel cap (EPA)	1
13-4	Y331901aB01	fuel tank, steel (EPA)	1
13-5	Y301903	pet-cock, fuel	1
13-6	G701M616G	bolt, M6*16	1
13-7	G16674M816125G	bolt-flanged M8*16*1.25	1
13-8	G96F8G	flat washer Φ8	2
13-9	Y80370021G02	bolt M6*12	1
13-10	G16674M835125G	bolt-flanged M8*35*1.25	1
13-11	Y31340007B01	grommet, round	1
13-12	G702M612G	bolt M6*12	2
13-13	Y33360003G02	spacer Φ8.5*Φ12*Φ22*17	1
13-14	Y33360048B02B	bracket, fairing, fuel tank, black, LH&RH	1
13-15	Y373617G03	clamp, hose Φ8	6
13-16	Y371904	filter, fuel	1
13-17		hose, fuel 1 L=50mm (EPA)	1
13-18	Y31340011B01	hose, fuel 2 L=70mm (EPA)	1
13-19		hose, fuel 1 L=160mm (EPA)	1
13-20	G6187M6G	nut, flanged, locking M6	1
13-21			
13-22			
13-23			

USD:

ELECTRICAL COMPONENTS . SECTION 14

REF.No.	PART No.	DESCRIPTION	QTY
14-1	Y318401	CDI	1
14-2	Y328001	wiring harness	1
14-3	Y318301B01	Ignition coil	1
14-4			
14-5			
14-6			
14-7			
14-8			
14-9			
14-10			
14-11			

USD:



CABLES . SECTION 15

REF.No.	PART No.	DESCRIPTION	QTY
15-1	Y321201B01	cable, clutch, L=900/A+B=74	1
15-2	Y21D1202B01	cable, throttle, L=670/A+B=110	1
15-3			
15-4			
15-5			
15-6			
15-7			
15-8			

USD:

TOOL KIT . SECTION 16

REF.No.	PART No.	DESCRIPTION	QTY
ASSY.6	Y370401b	tool kit	1
16-1	Y370407 N/A		1
16-2	Y370402c N/A		1
16-3	Y370402b N/A		1
16-4	Y370402a N/A		1
16-5	Y370402 N/A		1
16-6	Y370403 N/A		1
16-7	Y370404 N/A		1
16-8	Y370405 N/A		1
16-9	Y370405a N/A		1
16-10	Y370401 N/A		1
	Y330501		1
	Y33040001		1
	Y37040002		1
	Y37040004b		1
	Y37040005		1
	Y37040006		1
	Y21A040011		1

USD:

STICKER KIT . SECTION 17

REF.No.	PART No.	DESCRIPTION	QTY
17-1	Y33330101	sticker kit	1
	Y35330602		1
	Y31040019		1
	Y320406a		1
	YXPR125040022		1

USD:

USD:

