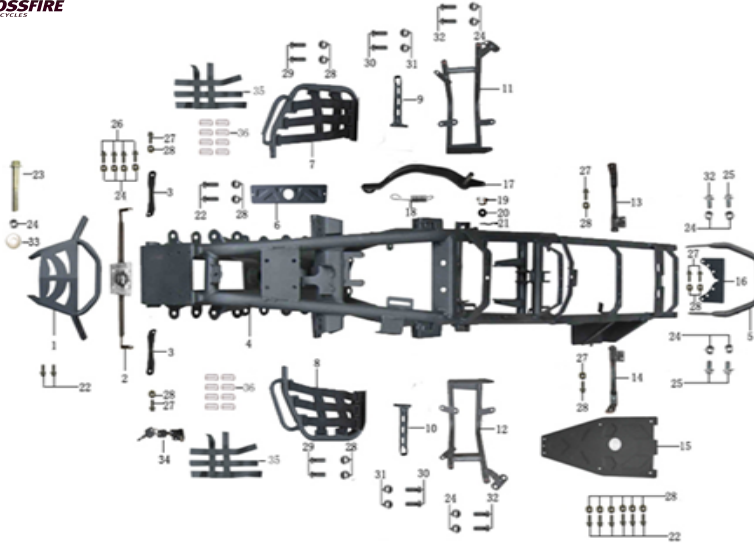


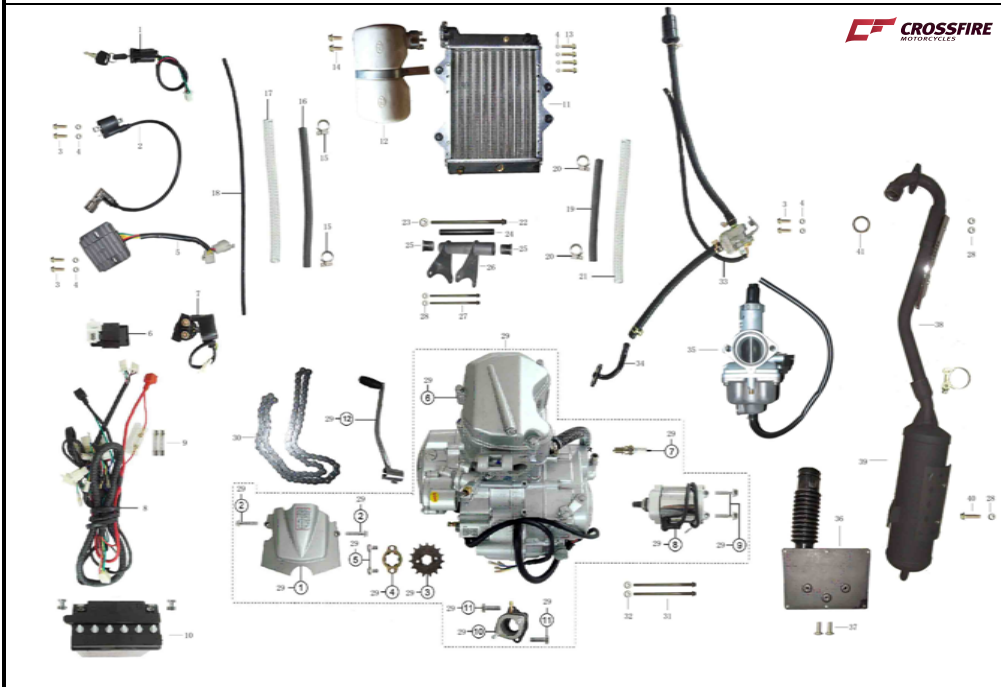
Mustang Evo 2 / Evo 3 Parts Manual

1. FRAME SYSTEM



NO.	Picture NO.	MODEL NO.	ENGLISH NAME	ORDER QTY	AMT
1	A74-01-01	7200611011200	FR.BUMPER		
2	A74-01-02	7200617011200	HOLDER,FR.STEERING LAMP		
3	A74-01-03	8200688005120	BRACKET,FR.FRAME		
4	A74-01-04	7200601021200	MAIN FRAME		
5	A74-01-05	8200688004120	RR.LIFTING HANDLE		
6	A74-01-06	8200688001120	PROTECTOR BOARD,ENGINE,FR.LOWER		
7	A74-01-07	7200613031201	R.PEDALS		
8	A74-01-08	7200613031200	L.PEDALS		
9	A74-01-09	7200610031200	R.FOOTREST		
10	A74-01-10	7200610031200	L.FOOTREST		
11	A74-01-11	7200619011201	BRACKET,R.RR.FENDER		
12	A74-01-12	7200619011200	BRACKET,L.RR.FENDER		
13	A74-01-13	7200618011201	BRACKET,R.RR.STEERING LAMP		
14	A74-01-14	7200618011200	BRACKET,L.RR.STEERING LAMP		
15	A74-01-15	8200688002120	LOWER PROTECTOR,ENGINE		
16	A74-01-16	8200688024120	STATOR,TAIL LIGHT		
17	A74-01-17	7200609021200	LEVER,FOOT BRAKE		
18	A74-01-18	9201101310010	SPRING,FOOT BRAKE		
19	A74-01-19	6102001711010	BUSH,LEVER.FOOT BRAKE		
20	A74-01-20	12030021400100	PLAIN WASHER		
21	A74-01-21	12050210303000	SPLIT PIN		
34	A74-01-34	3008110000100	IGNITION KEY		
35	A74-01-35	4200000200200	BELT		
36	A74-01-36	4200000300100	BUTTON		

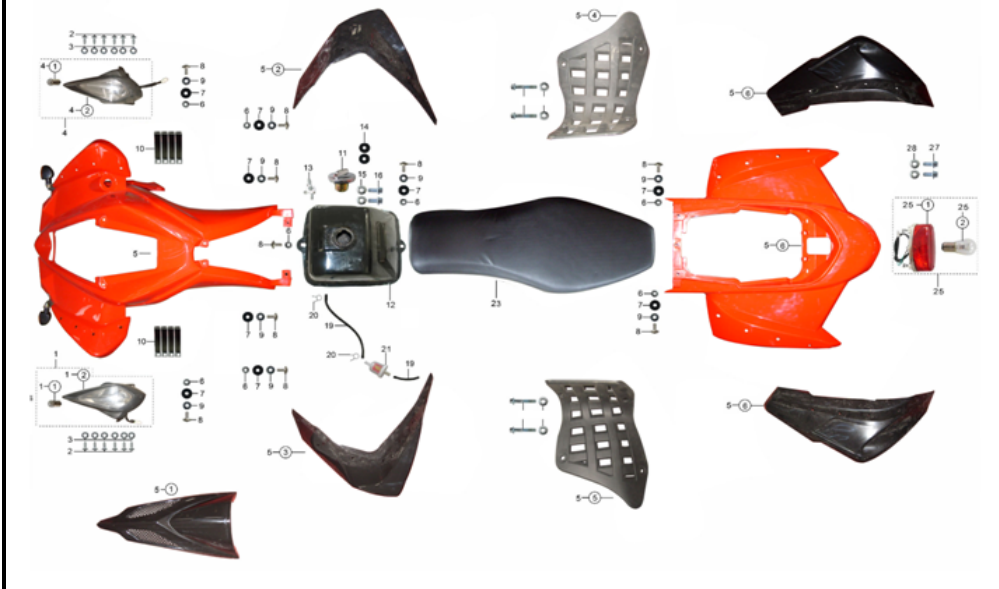
2. ENGINE SYSTEMM



NO.	Picture NO.	MODEL NO.	ENGLISH NAME	ORDER QTY	AMT
1	A74-02-01	5035120400100	INGNITION KEY		
2	A74-02-02	05044120010100	INGNITION COIL		
5	A74-02-05	05040206000100	RECTIFIER		
6	A74-02-06	05042112500100	CDI		
7	A74-02-07	05043100000100	REPLAY		
8-1			MAIN WIRE (without speedmeter)		
9	A74-02-09	5003000000200	FUSE		
10	A74-02-10	5046010500100	BATTERY		
11	A74-02-11	2301040210100	RADOATOR		
12	A74-02-12	2302040320100	SUBSIDIARY RADIATOR		
16	A74-02-16		INLET WATER PIPE		
18	A74-02-18		SUBSIDIARY WATER PIPE		
19	A74-02-19		REFLUENCE WATER PIPE		
24	A74-02-24	9101060500260	INNER BUSH,FR.PROTECTOR, ENGINE		
25	A74-02-25	6102001211010	CUSHION,FR.PROTECTOR,ENGINE		
26	A74-02-26	7200616011200	FR.PROTECTOR,ENGINE		
29	A74-02-29	1001094111010	ENGINE 4valve		
36	A74-02-29-07		SPARK PLUG (NGK)		
41	A74-02-29-12		SHIFT GEAR		
42	A74-02-30	4022210610100	CHINE		
47	A74-02-35	02010021203000	CARBURATOR		
48	A74-02-36	2001032100100	AIR FILTER		
51-1					
53	A74-02-41	2012038000100	ASBESTORS WASHER		

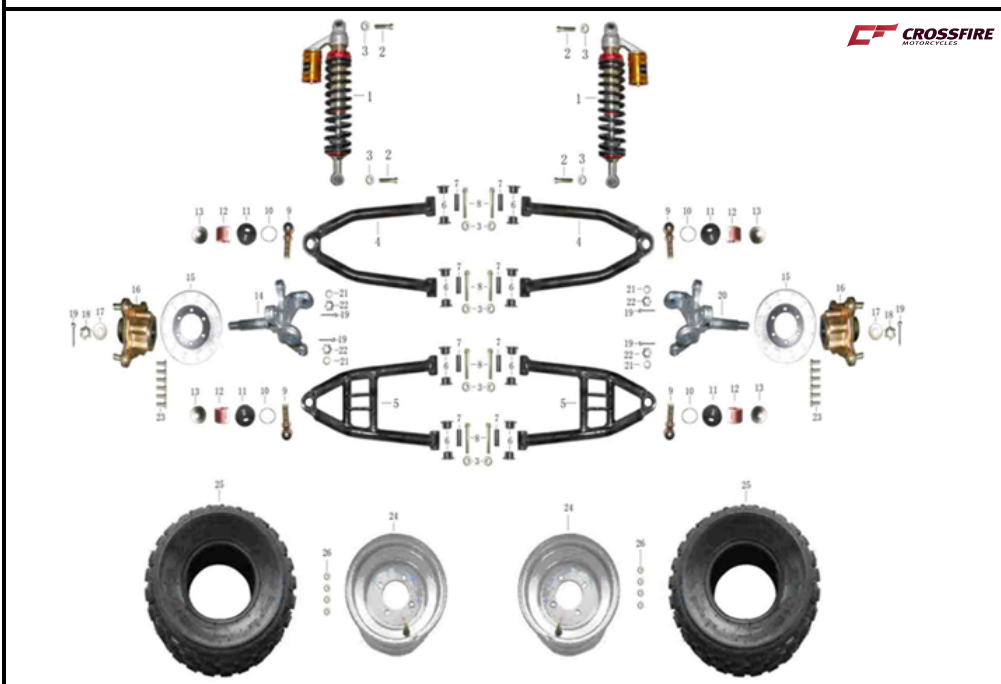
3. PLASTIC

CROSSFIRE
MOTORCYCLES



NO.	Item No.	MODEL No.	ENGLISH NAME	ORDER QTY	AMT
1	A74-03-01		FRONT LEFT LIGHT ASSY		
6	A74-03-04		FRONT RIGHT LIGHT ASSY		
9	A74-03-05		FRONT FENDER		
10	A74-03-05-01		FRONT DECORATE PLASTIC		
11	A74-03-05-02		OIL TANK COVER, RIGHT		
12	A74-03-05-03		OIL TANK COVER, LEFT		
13	A74-03-05-04		RIGHT FOOTREST PLASTIC		
14	A74-03-05-05		LEFT FOOTREST PLASTIC		
15	A74-03-05-06		REAR FENDER		
16	A74-03-06		PLASTIC WASHER		
17	A74-03-07		PLAN WASHER		
18	A74-03-08		HEX FLANGE BOLT		
19	A74-03-09		LOCK NUT		
20	A74-03-10		BRACKET, FRONT FENDER		
21	A74-03-11		OIL TANK COVER		
22	A74-03-12		OIL TANK		
23	A74-03-13		OIL TANK COOK		
24	A74-03-14		PLAN WASHER		
25	A74-03-15		HEX FLANGE BOLT		
26	A74-03-16		LOCK NUT		
27	A74-03-17		LOCK NUT		
28	A74-03-18		LOCK NUT		
29	A74-03-19		OIL PIPE		
30	A74-03-20		HOOP		
31	A74-03-21		OIL FILTER		
32	A74-03-22		BRACKET REAR FENDER		
33	A74-03-23		SEAT		
34	A74-03-25		REAR LIGHT ASSY		
37	A74-03-26		REAR LENSS		
38	A74-03-27		HEX FLANGE BOLT		
39	A74-03-28		LOCK NUT		
40	A74-03-29		LOCK NUT		

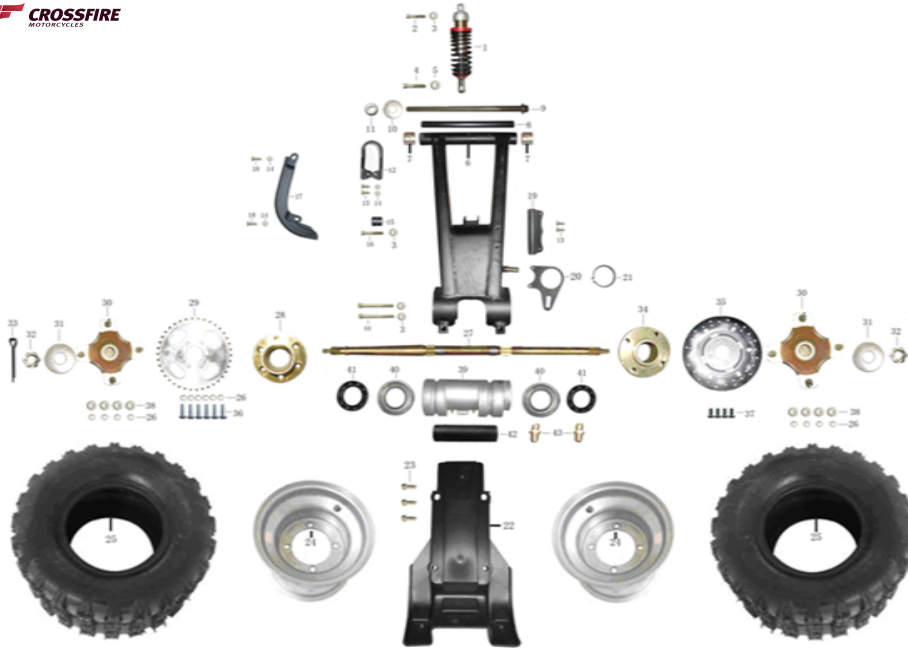
4. FRONT SYSTEM



NO.	Picture NO.	MODEL NO.	ENGLISH NAME	ORDER QTY	AMT
1	A74-04-01	04001112000301	FR.SUSPENSION (aluminum)		
4	A74-04-04	7200604011200	FR.UPPER SWING ARM		
5	A74-04-05	7200604031200	FR.LOWER SWING ARM		
6	A74-04-06	06102002311010	NYLON SPACE, SWING ARM		
7	A74-04-07	09101040310170	INNER BUSH, SWING ARM		
14	A74-04-14	04015110200100	L.FR.TRIFURCATE SHAFT (DISC)		
15	A74-04-15	03040070100100	FR.BRAKE DISC		
16	A74-04-16	04010117000200	FR.BRAKE HUB(DISC)		
18	A74-04-18	12020512140012	CONCAVE NUT		
19	A74-04-19	12050210303000	SPLIT PIN		
20	A74-04-20	04016110200100	R.FR.TRIFURCATE SHAFT(Disc)		
24-1			FR.RIM 10"		
25-1			FR.TYRE 10"(Off-road Style)		

5. REAR SYSTEMM

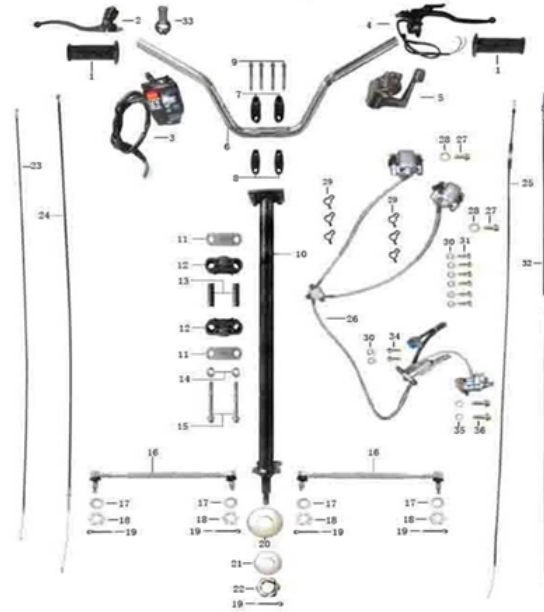
CROSSFIRE
MOTORCYCLES



NO.	Picture NO.	MODEL NO.	ENGLISH NAME	ORDER QTY	AMT
1	A74-05-01	04002111000201	RR.SUSPENSION (air cell inside)		
6	A74-05-06	7200603011200	RR.SWING ARM		
7	A74-05-07	12150220190270	NEEDLE BEARING		
8	A74-05-08	09101070700290	INNER BUSH,RR.SWING ARM		
12	A74-05-12	06102000211020	GUIDE,CHAIN		
15	A74-05-15	06102000811010	GUIDE,CHAIN		
17	A74-05-17	7200622013300	COVER,CHAIN		
19	A74-05-19	06102002811010	VITTA CLIP, RR, HYDRAULIC BRAKE		
20	A74-05-20	8200788017430	STATOR,RR.HYDRAULIC BRAKE		
21	A74-05-21	9005043060100	CLIP RING		
22	A74-05-22	6012008330110	PROTECTOR,RR.SWING ARM		
24-1			RR.RIM 10'		
25-1			RR.TYRE 10'(off-road)		
27	A74-05-27	9002112200200	RR.AXLE		
28	A74-05-28	09005011100100	HOLD,SPROCKET		
29	A74-05-29	04020238100100	SPROKET		
30	A74-05-30	9005031050100	CONNECTER,RR.TYRE		
32	A74-05-32	12020512140012	CONCAVE NUT		
33	A74-05-33	12050210303000	SPLIT PIN		
34	A74-05-34	9005021030100	HOLDER,BRAKE DISC		
35	A74-05-35	03040020100100	BRAKE DISC		
39	A74-05-39	04120200200100	HOLDER, REAR AXLE		
40	A74-05-40	12150113300550	BEARING		
41	A74-05-41	12160208350550	OIL SEAL		
42	A74-05-42	9101121210230	INNER BUSH,RR.AXLE		
43	A74-05-43	12060000600100	BUTTER VALVE		

6. HANDELBAR

CF CROSSFIRE
MOTORCYCLES



NO.	Picture NO.	MODEL NO.	ENGLISH NAME	ORDER QTY	AMT
1	A74-06-01	06102001911010	RUBBER COVER,GRIPE		
2	A74-06-02	03030252100100	CLUTCH LEVER		
3	A74-06-03	05050021100100	SWITCH,L.HANDLE BAR		
4	A74-06-04	03055211000100	R.BRAKE LEVER		
5	A74-06-05	03026220100300	GROUPWARE,GREASER		
6-1			HANDLE BAR(Alloy)		
7	A74-06-07	03002233418110	UPPER HOLDER,STEERING POLE		
8	A74-06-08	03003233417110	LOWER HOLDER,STEERING POLE		
10	A74-06-10	7200605011200	STEERING PLOE		
11	A74-06-11	8200588004330	COVER,STEERING POLE HOLDER		
12	A74-06-12	06102000411010	STEERING PLOE HOLDER		
13	A74-06-13	09101040210150	BUSH,SREERING POLE HOLDER		
16	A74-06-16	03020300220100	TURNING SHAFT		
17	A74-06-17	12040031000200	SPING GASKET		
18	A74-06-18	12020513100011	CONCAVE NUT		
19	A74-06-19	12050210303000	SPLIT PIN		
22	A74-06-22	12020512140012	CONCAVE NUT		
23	A74-06-23	03034007091010	THROTTLE CABLE		
24	A74-06-24	03032007142010	CLUTCH CABLE		
25	A74-06-25	03031007042010	OIL CABLE		
26-1			FR.HYDRAULIC BRAKE(NO EEC)		
29	A74-06-29	06102003011010	VITTA CLIP,FR.HYDRAULIC BRAKE		
32	A74-06-32	03033012051010	BRAKE CABLE		
33	A74-06-33	0301000000100	HOLDER,REARVIEW MIRRIOR		