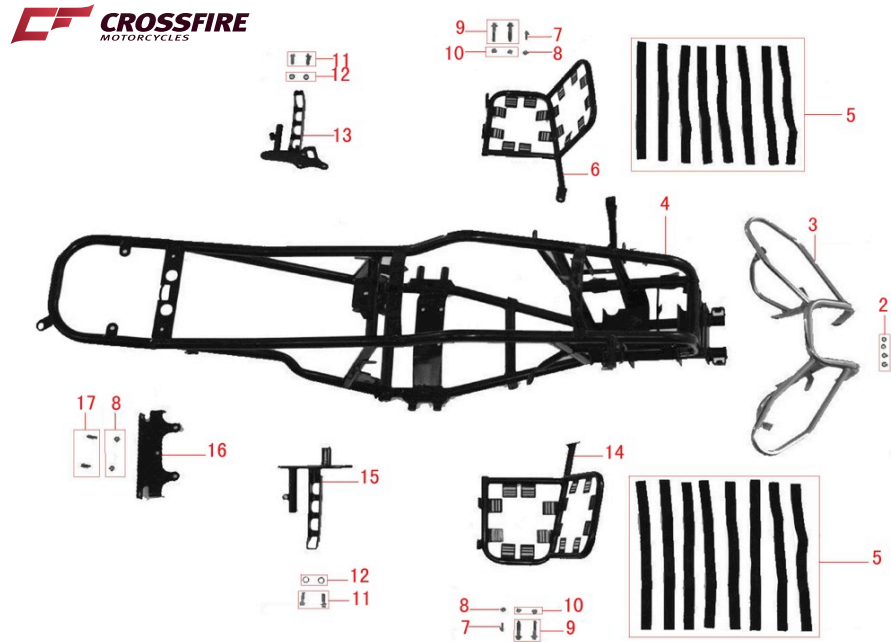


1 CHASSIS

REF. NO.	PART NO.	PART NAME	QTY
1	0.01.00920	Bolt M8*20	4
2	0.04.00710	Spring washer 8	4
3	1.4.04.0013	Bumper	1
4	1.1.04.0020	Frame	1
5	7.3.02.1080	Belt for footrest	1
6	1.5.04.0034	Protector, Footrest ,Left	1
7	0.01.05620	Bolt M10*1.25*45	2
8	0.03.00520	Nut M10*1.25	4
9	0.01.05820	Bolt M10*1.25*25	4
10	0.04.00810	Spring washer 10	4
11	0.01.05820	Bolt M10*25	4
12	0.04.00810	Spring washer 10	4
13	1.5.04.0023	Footrest ,Left	1
14	1.4.04.0041	Protector ,Footrest ,Right	
15	1.5.04.0033	Footrest ,Right	1
16	1.4.04.0020	Bracket for taillight	1
17	0.01.05120	Bolt M8*16	2



2 BODY COVER

REF. NO.	PART NO.	PART NAME	QTY
1	5.2.04.0012	Headlight	1
1-1	5.2.04.0090	Bulb, Headlight	2
2	0.03.00220	Nut M6	17
3	0.01.00420	Bolt M6X16	4
4	8.1.05.0030	Mashroom head bolt M6*20	11
5	6.2.04.004101	Front panel	1
6	5.2.04.0050	Indicator light ,Neutral	1
7	5.2.04.0051	Indicator light ,Reverse	1
8	6.2.04.003101	Front body cover	1
11	6.2.02.0130	Rubber washer	8
13	6.2.04.006101	Handle bar cover	1
14	0.01.00420	Bolt M6*16	2
15	2.9.02.0080	Switch for fuel tank	1
16	0.01.00620	Bolt M6X20	2
17	2.9.04.0050	Fuel tank	1
17-1	2.9.02.0070	Fuel tank cap	1
18		Fuel tank pipe assy.	1
18-1	2.9.02.0040	Clamp	2
18-2	2.9.04.0060	Pipe	1
19	6.2.04.005101	Top panel	1
20	8.1.05.0020	Mashroom head bolt M6*40	2
21	0.04.00150	Washer 6	2
22	0.03.02920	Locknut M6	4
23	6.2.04.002101	Body cover rear	1
24	6.2.04.0140	Battery box	1



"▼" indicates that there are optional colors(P.41-P.43)

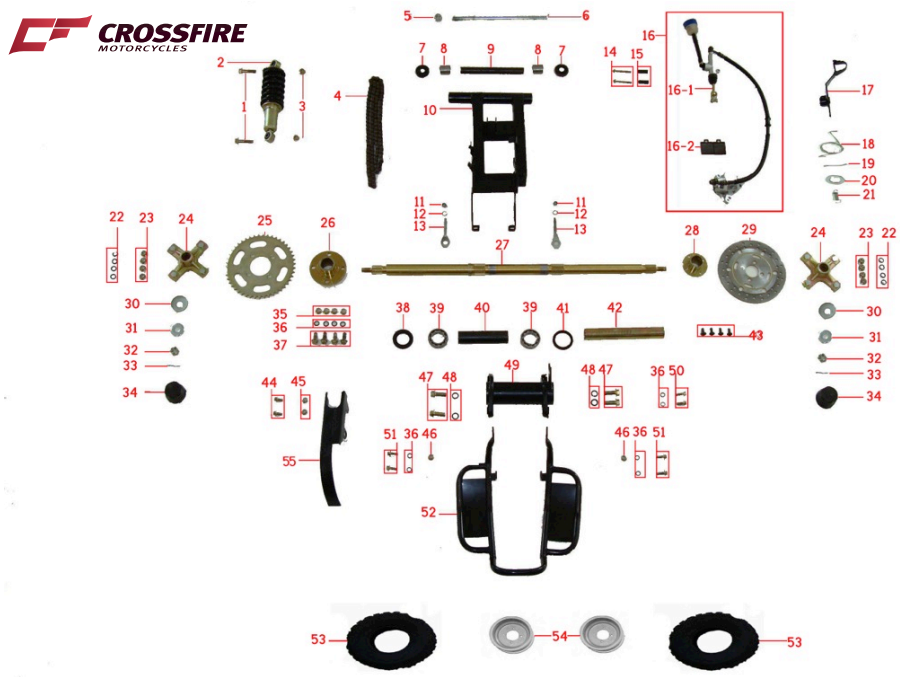
2 BODY COVER

REF. NO.	PART NO.	PART NAME	QTY
25	0.02.00930	Cross recess head screw ST4.8*12	6
26	7.1.02.0070	Rubber washer	2
27	7.1.02.0080	Rubber 8*11*14	2
28	6.1.04.0010	Seat	1
29	5.2.02.0050	Rear reflector	1
30	5.2.04.0030	Taillight	1
30-1	5.2.04.0110	Bulb, taillight	1
31	0.03.00220	Nut M6	3
32	0.04.00150	Washer 6	3
33	0.01.02420	Bolt M6*35	2



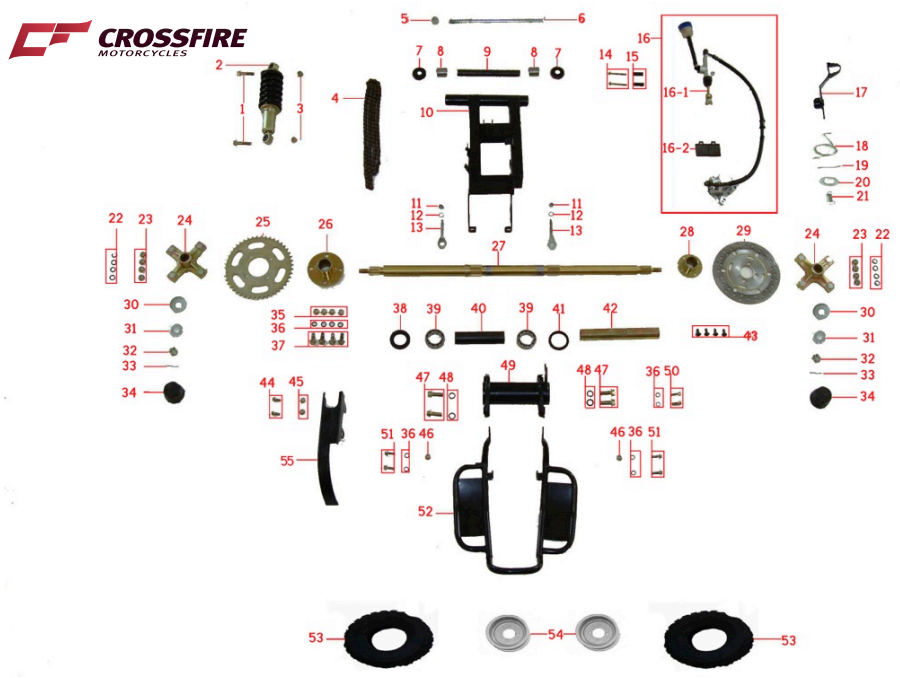
3 REAR SWINGARM

REF. NO.	PART NO.	PART NAME	QTY
1	0.01.07420	Bolt M10*1.25*42	2
2	4.2.04.0020	Rear shock absorber	1
3	0.03.00520	Nut M10*1.25	2
4	2.3.04.0010	Chain 428-106	1
5	0.03.00850	Nut M14*1.5	1
6	8.1.02.0010	Bolt M14*1.5*285	1
7	1.2.02.0080	Washer,steel	2
8	1.3.02.0050	Washer for rear shock	2
9	1.3.04.0080	Sleeve for seat of rear swingarm	1
10	1.3.04.0071	Rear swingarm	1
11	0.03.02240	Nut M8	2
12	0.04.00350	Washer 8	2
13	4.1.02.0110	Rear jack	2
14	0.01.06420	Bolt M6*50	2
15	4.3.04.0020	Spacer	2
16	4.3.04.0051	rear hydraulic disc brake	1
16-1	4.3.04.0130	Master cylinder	1
16-2	4.3.04.0150	Brake pads	1
17	1.5.04.0011	Rear brake lever	1
18	4.3.04.0100	Spring ,Rear brake	1
19	0.08.02100	Cotter pin 2.5*30	1
20	0.04.00550	Washer 12	1
21	4.1.02.0100	Dustproof cover	1
22	0.04.00810	Spring washer 10	8
23	0.03.00520	Nut M10*1.25	8
24	4.1.04.0151	Rear hub	2
25	4.1.04.0071	Sprocket	1
26	4.1.04.0081	Seat for the sprocket	1
27	4.1.04.0021	Rear axle	1



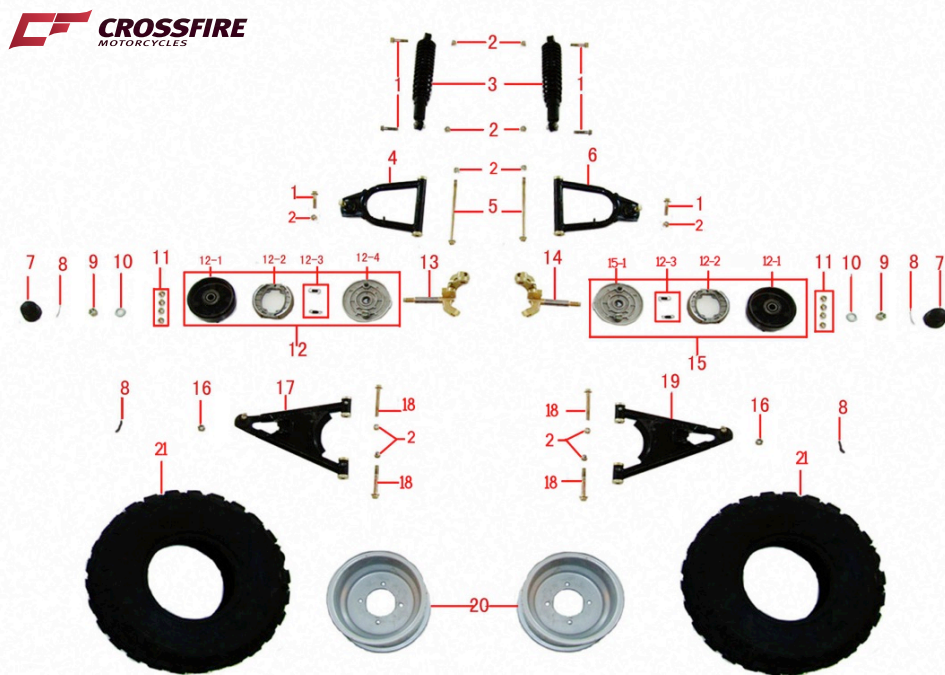
3 REAR SWINGARM

REF. No.	PART NO.	ENGLISH PARTS NAME	Q'TY
28	4.1.04.0061	Seat for brake disc	1
29	4.1.04.0051	Brake disc	1
30	4.1.02.0130	Dustproof cover	2
31	0.04.02850	Washer 14*39*5	2
32	0.03.01620	Slotted nut M14*1.5	2
33	0.08.02100	Coter pin 2.5*30	2
34	4.1.02.0100	Washer,dustproof cover	2
35	0.03.00520	Nut M10*1.25	4
36	0.04.00810	Spring washer	10
37	0.01.05820	Bolt M10*1.25*25	4
38	0.07.00800	Seal 35*55*88	1
39	0.05.01600	Bearing 6006Z	2
40	4.1.04.0041	Sleeve for seat of rear swingarm	1
41	0.07.00600	Seal 42*55*8	1
42	4.1.04.0290	Right sleeve for rear axle	1
43	8.1.04.0020	Bolt M10*32.5	4
44	0.01.00420	Bolt M6*16	2
45	0.03.00220	Nut M6	2
46	0.01.00920	Bolt M8*20	2
47	0.01.04520	Bolt M12*30	4
48	0.04.00910	Spring washer 12	4
49	4.1.04.0031	Seat of rear swingarm	1
50	0.01.05120	Bolt M8*16	2
51	0.01.00920	Bolt M8*20	4
52	4.1.02.0120	Up protecting cover for sprocket	1
53	4.1.04.0310	Tire 19*7-8	2
54	4.1.04.0112	Rear rim	2
55	4.1.02.0120	Up protecting cover for sprocket	1



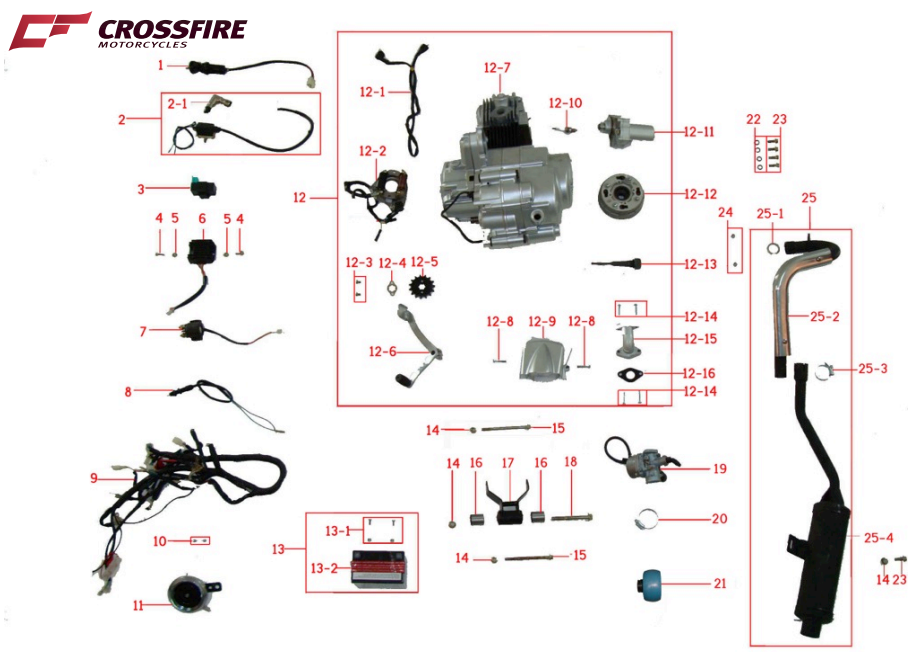
4 FRONT SUSPENSION

REF. NO.	PART NO.	PART NAME	QTY
1	0.01.07420	Bolt M10*1.25*42	6
2	0.03.00520	Nut M10*1.25	12
3	4.2.04.0010	Front shock absorber	2
4	1.3.04.0010	Left upper A-arm	1
5	0.01.05420	Bolt M10*1.25*200	2
6	1.3.04.0090	Right upper A-arm	1
7	4.1.02.0100	Dustproof cover	2
8	0.08.02100	Cotter pin 2.5*30	4
9	0.03.01620	Slotted nut M14*15	2
10	0.04.02650	Washer 14*28*3	2
11	0.03.00520	Nut M10	8
12	4.3.04.0180	Left drum brake assy	1
12-1	4.3.04.0010	Front drum brake body	1
12-2	4.3.04.0170	Brake shoes for front drum	4
12-3	4.3.04.0230	Sping for front drum brake	4
12-4	4.3.04.0110	Left side cover of drum brake	1
13	3.1.04.0011	Y-bone left	1
14	3.1.04.0021	Y-bone right	1
15	4.3.04.0190	Right drum brake assy	1
15-1	4.3.04.0120	Right side cover of drum brake	1
16	0.03.01820	Slotted nut M10	2
17	1.3.04.0040	Left lower A-arm	1
18	0.01.05520	Bolt M10*1.25*80	4
19	1.3.04.0100	Right Lower A-arm	1
20	4.1.04.0102	Rim 8"	2
21	4.1.04.0120	Tire	2



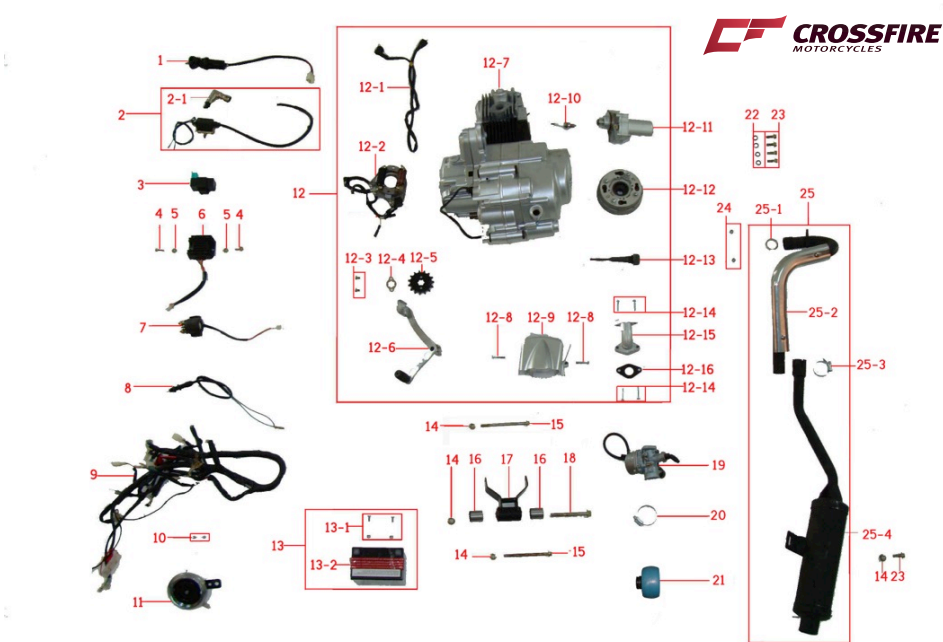
5 ELECTRICALS

REF. NO.	PART NO.	PART NAME	QTY
1	5.3.04.0020	Key switch	1
2	5.3.04.0092	Voltage	1
2-1	5.3.04.5000	Cap for voltage	1
3	5.3.02.0070	Ignition	1
4	0.01.00420	Bolt M6*16	2
5	0.03.00220	Nut M6	2
6	5.3.04.0071	regulator	1
7	5.3.02.0050	Relay	1
8	5.3.04.0050	Switch,foot brake	1
9	5.3.04.0014	Main cable	1
10	5.3.02.0290	Fuse	2
11	5.3.04.0030	Horn	1
12	2.1.04.0010	Engine assy	1
12-1		Cable,alternator	1
12-2	2.1.04.1040	Winding,alternator	1
12-3	0.01.00020	Bolt M6*8	2
12-4	0.04.04930	Washer	1
12-5	2.1.07.1000	Sprocket 428-12	1
12-6	2.1.04.1111	Shift lever	1
12-7	2.1.04.0012	Engine	1
12-8	2.1.01.2040	Bolt M6*28	2
12-9	2.1.02.2030	Sider cover ,engine	1
12-10	2.1.02.0120	Spark plug	1
12-11	2.1.04.1100	Start motor	1
12-12	2.1.04.1160	Clutch	1
12-13	2.1.02.1320	Oil level gauge	1
12-14	0.01.11350	Bolt M6*20	4
12-15	2.8.02.0021	Intake pipe XS60	1
12-16	2.1.02.1870	Rubber washer for intake pipe	1



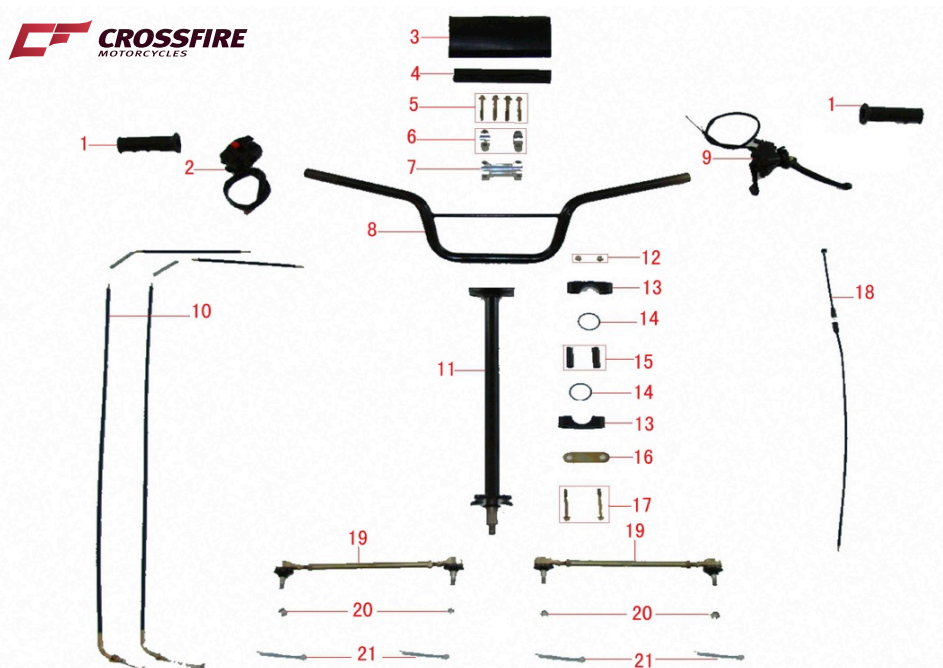
5 ELECTRICALS

REF. NO.	PART NO.	PART NAME	QTY
13	5.3.04.0040	Battery assy	1
13-1	7.6.9003	Bolt,battery	2set
13-2	5.3.04.0150	Battery	1
14	0.03.00120	Nut M8	4
15	0.01.05920	Bolt M8*110	2
16	2.7.01.0090	washer	2
17	2.1.04.0020	Mount,engine	1
18	0.01.05520	Bolt M10*80	1
19	2.8.04.0010	Carburator	1
20	2.5.02.0030	Clamp,air filter	1
21	2.5.80.0010	Air filter	1
22	0.04.00710	Spring washer 8	4
23	0.01.00920	Bolt M8*20	5
24	0.03.02350	Nut M6	2
25	2.4.04.1000	Muffle assy	1
25-1	2.4.03.0020	Washer,muffle	1
25-2		Cover,muffle	1
25-3	2.4.04.1030	Clamp,muffle	1
25-4	2.4.04.1020	Muffle	1



6 STEERING

REF. NO.	PART NO.	PART NAME	QTY
1	4.4.02.0030	handle cover(L/R)	2
2	5.3.04.0080	Function button	1
3	7.5.02.0010	Foam cover	1
4	7.5.02.1750	Foam	1
5	0.01.04720	Bolt M8*55	4
6	4.4.01.0030	Up blockr for handlebar	2
7	4.4.01.0050	Down block for handlebar	1
8	4.4.04.0012	Handble bar	1
9	4.3.04.0040	Brake lever	1
10	4.5.04.0022	Front brake cable	2
11	1.2.04.0012	Steering assy	1
12	0.03.00120	Nut M8	2
13	1.2.04.0021	Clipper for steering pole	2
14	1.2.04.0042	Dustproof seal	2
15	1.2.04.0030	Sleeve for clipper	2
16	1.2.06.0020	Fixing panel for steering pole	1
17	0.01.07620	Bolt M8*60	2
18	4.5.04.0011	Throttle cable	1
19	3.1.04.0030	Tie rod	2
20	0.03.01820	Slotted nut M10*1.25	2
21	0.08.02100	Cotter pin 2.5*3	2



8 Optional Accessories

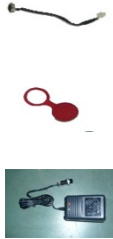
8.1 Remote control alarm

S.N.	PART NO.	PART NAME	QUANTITY
1	5.4.02.0040	Remote control assy	1
2	5.4.04.0022	Remote control	1
3	5.4.04.0010	Horn for remote control	1



8.2 Charging kit

S.N.	PART NO.	PART NAME	QUANTITY
1	5.3.02.4010	Charger assy	1
2	5.3.02.0160	Charging mouth	1
3	5.3.02.0181	Rubber cover for charging	1
4	5.3.02.0220	Charger	1



8.3 Flag

S.N.	PART NO.	PART NAME	QUANTITY
1	1.1.02.0250	Flags assy	1
2	1.1.02.0040	Flag pole	1
3	1.1.02.0070	Flag	1
4	1.1.02.0080	Bottom spacer bush	1
5	1.1.02.0090	Bottom spacer bush	1
6	1.1.02.0110	Spring for flag pole	1



8.4 Optional colors of the body covers

8.4.1 Body cover rear

S.N.	PART NO.	PART NAME	CONDITION
1	6.2.04.002006	Body cover rear(dark red)	WY-06
2	6.2.04.002007	Body cover rear(silver)	WY-07
3	6.2.04.002009	Body cover rear(red)	WY-09
4	6.2.04.002010	Body cover rear(pink)	WY-10
5	6.2.04.002011	Body cover rear(Dark maple leaf camo)	WY-A
6	6.2.04.002012	Body cover rear(Bright maple leaf camo)	WY-B
7	6.2.04.002013	Body cover rear(Bright army green camo)	WY-C
8	6.2.04.002014	Body cover rear(Earth yellow maple leaf camo)	WY-D
9	6.2.04.002015	Body cover rear(Army green camo)	WY-E
10	6.2.04.002016	Body cover rear(Air force camo)	WY-F
11	6.2.04.002017	Body cover rear(dark blue camo)	WY-G
12	6.2.04.002018	Body cover rear(pink camo)	WY-H
13	6.2.04.002021	Body cover rear(maple leaf camo)	WY-K
14	6.2.04.002022	Body cover rear(maple leaf camo)	WY-T
15	6.2.04.002101	Body cover rear(black,new)	WY-01
16	6.2.04.002102	Body cover rear(red,new)	WY-02
17	6.2.04.002103	Body cover rear(blue,new)	WY-03
18	6.2.04.002104	Body cover rear(green,new)	WY-04
19	6.2.04.002105	Body cover rear(yellow,new)	WY-05
20	6.2.04.002132	Body cover rear(white,new)	WY-16

8.4.2 Front body cover

S.N.	PART NO.	PART NAME	CONDITION
1	6.2.04.003006	Front body cover(dark red)	WY-06
2	6.2.04.003007	Front body cover(silver)	WY-07
3	6.2.04.003009	Front body cover(red)	WY-09
4	6.2.04.003010	Front body cover(pink)	WY-10
5	6.2.04.003011	Front body cover(Dark maple leaf camo)	WY-A
6	6.2.04.003012	Front body cover(Bright maple leaf camo)	WY-B
7	6.2.04.003013	Front body cover(Bright army green camo)	WY-C
8	6.2.04.003014	Front body cover (Earth yellow maple leaf camo)	WY-D
9	6.2.04.003015	Front body cover(Army green camo)	WY-E
10	6.2.04.003016	Front body cover(air force camo)	WY-F
11	6.2.04.003017	Front body cover(dark blue camo)	WY-G
12	6.2.04.003018	Front body cover(pink camo)	WY-H
13	6.2.04.003021	Front body cover(maple leaf camo)	WY-K
14	6.2.04.003022	Front body cover(maple leaf camo)	WY-T
15	6.2.04.003101	Front body cover(black,new)	WY-01
16	6.2.04.003102	Front body cover(red,new)	WY-02
17	6.2.04.003103	Front body cover(blue,new)	WY-03
18	6.2.04.003104	Front body cover(green,new)	WY-04
19	6.2.04.003105	Front body cover(yellow,new)	WY-05
20	6.2.04.003132	Front body cover(white,new)	WY-16

8.4.3 Front panel			
S.N.	PART NO.	PART NAME	CONDITION
1	6.2.04.004001	Front panel(black)	WY-01
2	6.2.04.004002	Front panel(red)	WY-02
3	6.2.04.004003	Front panel(blue)	WY-03
4	6.2.04.004004	Front panel(green)	WY-04
5	6.2.04.004005	Front panel(yellow)	WY-05
6	6.2.04.004006	Front panel(dark red)	WY-06
7	6.2.04.004007	Front panel(silver)	WY-07
8	6.2.04.004009	Front panel(red)	WY-09
9	6.2.04.004010	Front panel(pink)	WY-10
10	6.2.04.004011	Front panel(Dark maple leaf camo)	WY-A
11	6.2.04.004012	Front panel(Bright maple leaf camo)	WY-B
12	6.2.04.004013	Front panel(Bright army green camo)	WY-C
13	6.2.04.004014	Front panel((Earth yellow maple leaf camo))	WY-D
14	6.2.04.004015	Front panel((Army green camo)	WY-E
15	6.2.04.004016	Front panel(air force camo)	WY-F
16	6.2.04.004017	Front panel(dark blue camo)	WY-G
17	6.2.04.004018	Front panel(pink camo)	WY-H
18	6.2.04.004021	Front panel(maple leaf camo)	WY-K
19	6.2.04.004022	Front panel(maple leaf camo)	WY-T
20	6.2.04.004032	Front panel(white)	WY-16
21	6.2.04.004101	Front panel(black,new)	WY-01
22	6.2.04.004102	Front panel(red,new)	WY-02
23	6.2.04.004103	Front panel(blue,new)	WY-03
24	6.2.04.004104	Front panel(green,new)	WY-04
25	6.2.04.004105	Front panel(yellow,new)	WY-05
26	6.2.04.004132	Front panel(white,new)	WY-16

8.4.4 Top panel			
S.N.	PART NO.	PART NAME	CONDITION
1	6.2.04.005006	Top panel(dark red)	WY-06
2	6.2.04.005007	Top panel(silver)	WY-07
3	6.2.04.005009	Top panel(red)	WY-09
4	6.2.04.005010	Top panel(pink)	WY-10
5	6.2.04.005011	Top panel(Dark maple leaf camo)	WY-A
6	6.2.04.005012	Top panel(Bright maple leaf camo)	WY-B
7	6.2.04.005013	Top panel(Bright army green camo)	WY-C
8	6.2.04.005014	Top panel(Earth yellow maple leaf camo)	WY-D
9	6.2.04.005015	Top panel(Army green camo)	WY-E
10	6.2.04.005016	Top panel(air force camo)	WY-F
11	6.2.04.005017	Top panel(dark blue camo)	WY-G
12	6.2.04.005018	Top panel(pink camo)	WY-H
13	6.2.04.005021	Top panel(maple leaf camo)	WY-K
14	6.2.04.005022	Top panel(maple leaf camo)	WY-T
15	6.2.04.005101	Top panel(black,new)	WY-01
16	6.2.04.005102	Top panel(red,new)	WY-02
17	6.2.04.005103	Top panel(blue,new)	WY-03
18	6.2.04.005104	Top panel(green,new)	WY-04
19	6.2.04.005105	Top panel(yellow,new)	WY-05
20	6.2.04.005132	Top panel(white,new)	WY-16

8.4.5 Handle bar cover			
S.N.	PART NO.	PART NAME	CONDITION
1	6.2.04.006006	Handle bar cover(dark red)	WY-06
2	6.2.04.006007	Handle bar cover(silver)	WY-07
3	6.2.04.006009	Handle bar cover(red)	WY-09
4	6.2.04.006010	Handle bar cover(pink)	WY-10
5	6.2.04.006011	Handle bar cover(Dark maple leaf camo)	WY-A
6	6.2.04.006012	Handle bar cover((Bright maple leaf camo))	WY-B
7	6.2.04.006013	Handle bar cover(Bright army green camo)	WY-C
8	6.2.04.006014	Handle bar cover(Earth yellow maple leaf camo)	WY-D
9	6.2.04.006015	Handle bar cover(Army green camo)	WY-E
10	6.2.04.006016	Handle bar cover(air force camo)	WY-F
11	6.2.04.006017	Handle bar cover(dark blue camo)	WY-G
12	6.2.04.006018	Handle bar cover(pink camo)	WY-H
13	6.2.04.006021	Handle bar cover(maple leaf camo)	WY-K
14	6.2.04.006022	Handle bar cover(maple leaf camo)	WY-T
15	6.2.04.006101	Handle bar cover(black,new)	WY-01
16	6.2.04.006102	Handle bar cover(red,new)	WY-02
17	6.2.04.006103	Handle bar cover(blue,new)	WY-03
18	6.2.04.006104	Handle bar cover(green,new)	WY-04
19	6.2.04.006105	Handle bar cover(yellow,new)	WY-05
20	6.2.04.006132	Handle bar cover(white,new)	WY-16

8.4.6 Front cover			
S.N.	PART NO.	PART NAME	CONDITION
1	6.2.04.007006	Front cover(dark red)	WY-06
2	6.2.04.007007	Front cover(silver)	WY-07
3	6.2.04.007009	Front cover(red)	WY-09
4	6.2.04.007010	Front cover(pink)	WY-10
5	6.2.04.007011	Front cover(Dark maple leaf camo)	WY-A
6	6.2.04.007012	Front cover(Bright maple leaf camo)	WY-B
7	6.2.04.007013	Front cover(Bright army green camo)	WY-C
8	6.2.04.007014	Front cover(Earth yellow maple leaf camo)	WY-D
9	6.2.04.007015	Front cover(Army green camo)	WY-E
10	6.2.04.007016	Front cover(Air force camo)	WY-F
11	6.2.04.007017	Front cover(dark blue camo)	WY-G
12	6.2.04.007018	Front cover(pink camo)	WY-H
13	6.2.04.007021	Front cover(maple leaf camo)	WY-K
14	6.2.04.007022	Front cover(maple leaf camo)	WY-T
15	6.2.04.007101	Front cover(black,new)	WY-01
16	6.2.04.007102	Front cover(red,new)	WY-02
17	6.2.04.007103	Front cover(blue,new)	WY-03
18	6.2.04.007104	Front cover(green,new)	WY-04
19	6.2.04.007105	Front cover(yellow,new)	WY-05
20	6.2.04.007132	Front cover(white,new)	WY-16