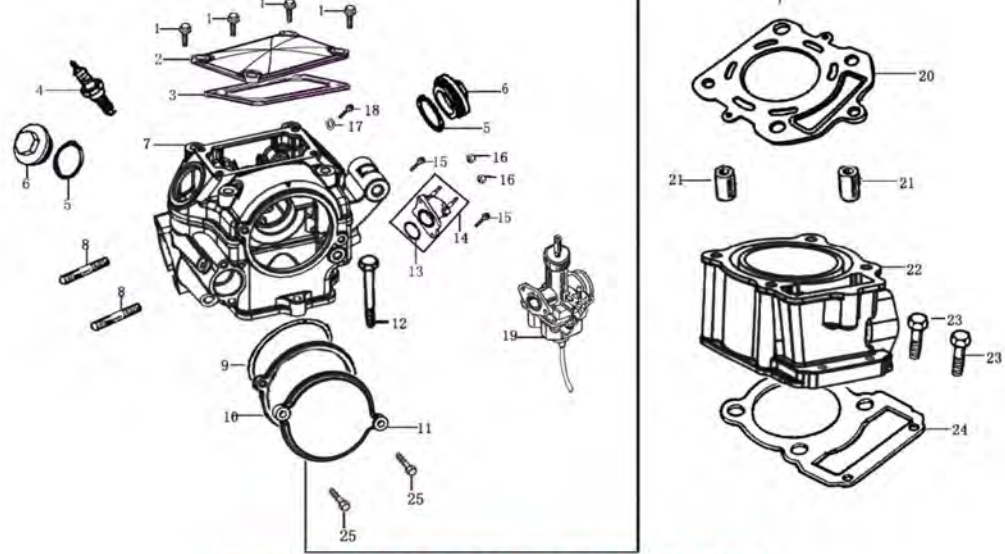
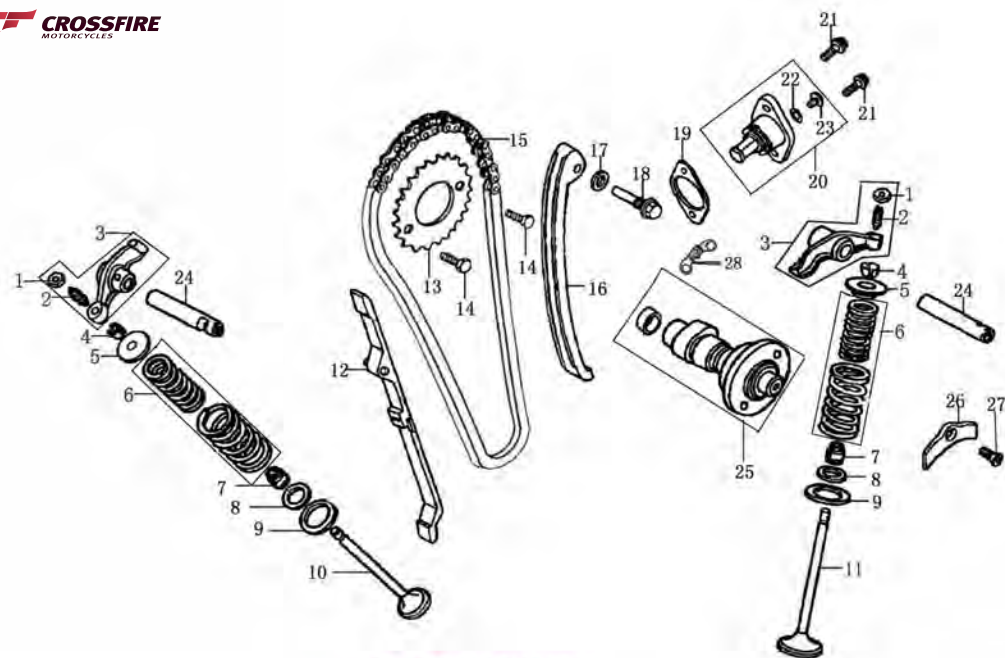


XZ250R Engine Manual
CYLINDER HEAD ASSY/CYLINDER ASSEMBLY

S.N.	PART NO.	PART NAME	QUANTITY
1	B166740A06001870X	BOLT M6×18	4
2	11226-ME16-00000W	UPPER COVER, CYLINDER HEAD	1
3	90103-ME16-0000	SEAL RING OF UPPER COVER,CYLINDER HEAD	1
4	81300-I006-0004	SPARK PLUG	1
5	90101-20350000300	O-RING 35×3	2
6	11230-I006-00000W	COVER, VALVE CHAMBER	2
7	1122B-ME16-10000W	CYLINDER HEAD ASSY	1
8	91138-I008-01000X	BOLT M8×38	2
9	90101-20750000265	O-RING 75×2.65	1
10	90202-ME16-0100	GASKET,L,CYLINDER HEAD COVER	1
11	11227-MZ10-00000W	LEFT COVER, CYLINDER HEAD	1
12	91113-H021-00000X	BOLT M6×30	1
13	90101-20335000300	O-RING 33.5×3	1
14	15800-I049-0000	INLET PIPE	1
15	B057830006002070X	BOLT M6×20	2
16	B061700006000090X	NUT 6	2
17	93301-80622013000	WASHER 6.2×2×13	1
18	B166740A06001070X	BOLT M6×10	1
19	17100-MZ10-0000	CARBURETOR	1
20	9022B-MG42-0000	GASKET ASSY,CYLINDER HEAD	1
21	91521-10002000000	PIN 10×20	2
22	1110B-MG42-00000W	CYLINDER BLOCK ASSEMBLY	1
23	B057890006002570X	BOLT M6×25	2
24	90205-ME16-0100	GASKET,CYLINDER BLOCK	1
25	B166740A06002070X	BOLT M6×20	2


CYLINDER HEAD ASSY / CYLINDER ASSEMBLY
VALVE MECHANISM

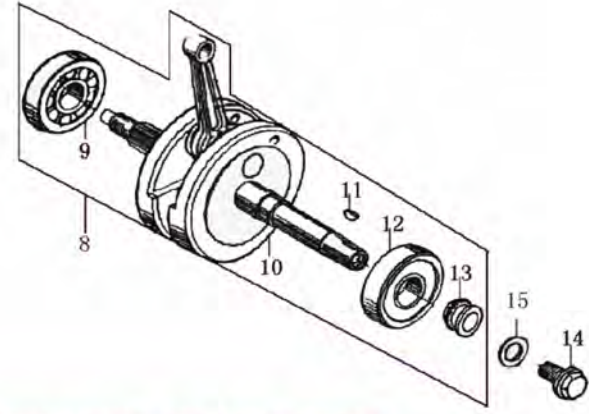
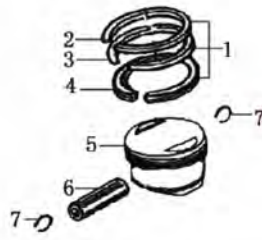
S.N.	PART NO.	PART NAME	QUANTITY
1	15403-I006-0000	NUT,VALVE CLEARANCE	2
2	15404-I006-0000	SCREW, VALVE CLEARANCE	2
3	1540A-I006-0000	ROCKER ARM ASSEMBLY, VALVE	2
4	15707-I008-0000	VALVE LOCKER	4
5	15705-I006-0000	SPRING SEAT	2
6	15710-I006-0000	INNER SPRING,ASSY	2
7	1572B-I008-0000	SEAL, VALVE STEM	2
8	15708-I008-0000	SPRING SEAT	2
9	15706-I008-0000	OUTER VALVE SPRING RETAINER	2
10	15702-ME16-0000	EXHAUST VALVE	1
11	15701-ME16-0000	INTAKE VALVE	1
12	1553A-ME05-0000	GUIDE PLATE CHAIN	1
13	15301-L044-0000	TIMING DRIVEN SPROCKET	1
14	B057830006001270B	BOLT M6×12	2
15	1532B-ME05-0000	SPROCKET CHAIN	1
16	1552A-ME16-0000	TENSION PLATE ASSY	1
17	93301-70801514000	WASHER 8×1.5×14	1
18	91109-I006-00000X	BOLT	1
19	90211-I049-0100	GASKET,TENSIONER	1
20	1554B-I049-00000W	LIFTER ASSY	1
21	B000700106001670X	SCREW M6×16	2
22	90101-20090000180	O-RING 9×1.8	1
23	91120-I006-0000	BOLT	1
24	15402-I006-0100	ROCKER SHAFT	2
25	15100-ME16-0001	GAMP SHAFT COMP	1
26	11201-I006-0000	POSITION PLATE,ROCKER SHAFT	1
27	B008190106001620B	SCREW M6×16	1
28	11203-ME16-0000	LIMIT PLATE, REDUCTING VALVE	1


VALVE MECHANISM

CRANKSHAFT CONNECTING-ROD ASSY/PISTON

S.N.	PART NO.	PART NAME	QUANTITY
1	1310A-ME13-0200	PISTON RING COMP	1
2	13103-ME13-0100	PISTON RING 1	1
3	13104-ME13-0000	PISTON RING 2	1
4	13120-ME13-0000	OIL RING ASSY	1
5	13101-ME13-0000	PISTON	1
6	13102-ME13-0000	PIN PISTON	1
7	91401-ME13-0000	CHECK RING, PISTON PIN	2
8	1320B-MG42-0000	CRANKSHAFT CONNECTING-ROD ASSY	1
9	92102-0063-28X1P5	BEARING (63/28X1P5)	1
10	13220-MG42-0000	CONNECTING ROD COMP 3	1
11	91601-I008-0000	SEMICIRCULAR KEY	1
12	92102-0063-28X1P5	BEARING (63/28X1P5)	1
13	13222-L044-0000	HUB DUMP CHAIN SPROCKET	1
14	91106-I008-0000	BOLT M10×36	1
15	93301-11052524000	WASHER 10.5×2.5×24	1

CROSSFIRE
MOTORCYCLES

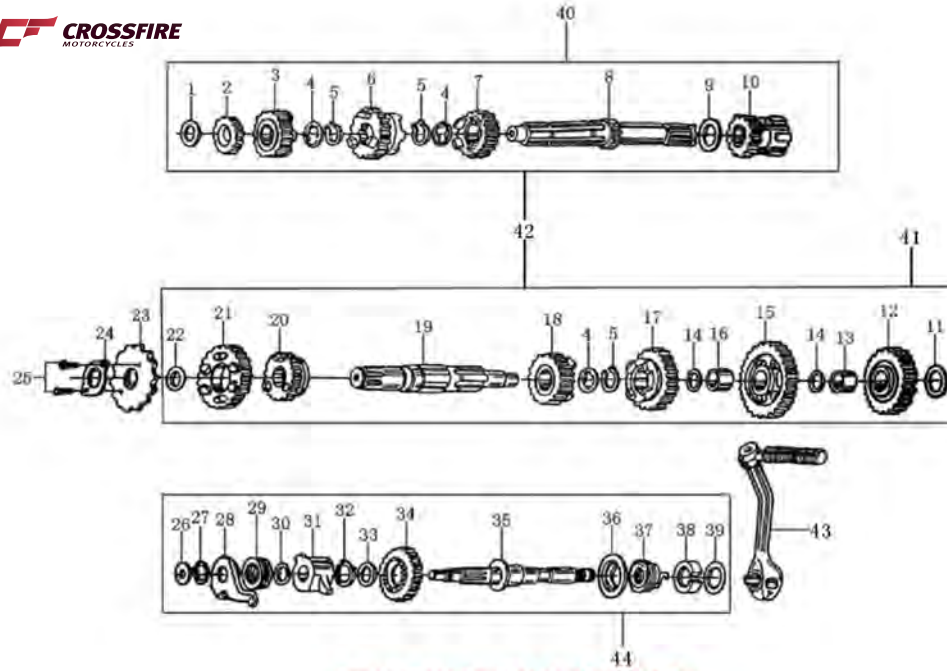


CRANKSHAFT CONNECTING-ROD ASSY/PISTON

TRANSMISSION MECHANISM

S.N.	PART NO.	PART NAME	QUANTITY
1	93301-61521025000	WASHER 15.2×1×25	1
2	23222-LA73-0002	GEAR M-2	1
3	23222-JZ15-0105	GEAR M-5	1
4	23223-I006-0000	WASHER	3
5	91402-D002-0100	CIRCLI φ18.5×1.2×φ22.1	3
6	23222-LA73-0004	GEAR M-4	1
7	23222-LA73-0003	GEAR M-3	1
8	23221-LA73-0000	TRANSMISSION MAIN SHAFT	1
9	93301-62020527000	WASHER 20.2×0.5×27	1
10	23231-I008-0000	FINAL SHAFT	1
11	93301-61521030000	WASHER 15.2×1×30	1
12	23248-I008-0000	GEAR	1
13	23203-I008-0003	GEAR BUSH	1
14	93301-51650524000	WASHER 16.5×0.5×24	2
15	23242-LA73-0001	GEAR C-1	1
16	23203-I008-0001	GEAR BUSH	1
17	23242-LA73-0003	GEAR C-3	1
18	23242-LA73-0004	GEAR C-4	1
19	23241-LA73-0200	TRANSMISSION COUNTER SHAFT	1
20	23242-JZ15-0105	GEAR C-5	1
21	23242-JZ15-0102	GEAR C-2	1
22	93301-61521030000	WASHER 15.2×1×30	1
23	23401-MA95-0001	DRIVE SPROCKET	1
24	23402-I006-0000	FIXING PLATE, DRIVE SPROCKET	1
25	B057830006001070B	BOLT M6×10	2
26	93301-51211018000	WASHER 12.1×1×18	1
27	B0089401160000000	CIRCLIP 16	1
28	2112B-I008-0000	GUIDE PLATE ASS.	1
29	21119-I008-0000	SPRING, KICK STARTING RATCHET WHEEL	1
30	93301-51611024000	WASHER 16.1×1×24	1
31	21118-I008-0000	STARTING RATCHET	1
32	91402-I008-0000	CIRCLI φ18.5×1.2×φ22.4	1
33	93301-62000527000	WASHER 20×0.5×27	1
34	21117-I008-0000	GEAR, KICK STARTER	1
35	21107-I008-0001	PIVOT, KICK STARTING SHAFT	1
36	21104-I008-0000	SEAT, SPRING, KICK STARTING SHAFT	1
37	21106-I008-0000	RETURN SPRING, KICK STARTING SHAFT	1
38	21111-I008-0000	COLLAPSIBLE	1
39	93301-51611030000	WASHER 16.1×1×30	1
40	23220-ME16-0000	MAIN SHAFT, TRANSMISSION	1
41	23240-ME16-0000	COUNTERSHAFT TRANSMISSION	1
42	23200-ME16-0000	TRANSMISSION MAIN,COUNTER SHAFT	1
43	21200-I008-0018	START-UP BAR COMP	1
44	21100-I008-0202	KICK STARTING SHAFT ASSEMBLY	1

CROSSFIRE
MOTORCYCLES

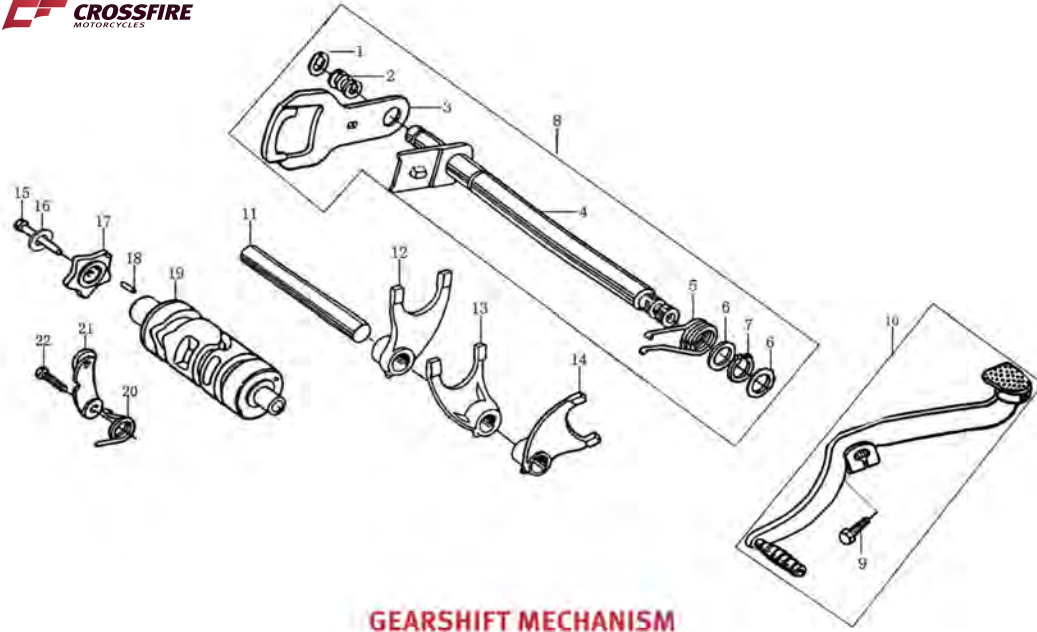


TRANSMISSION MECHANISM

GEARSHIFT MECHANISM

S.N.	PART NO.	PART NAME	QUANTITY
1	B0089401120000000	CIRCLIP 12	1
2	24303-I006-0000	SPRING, GEARSHIFT PLATE	1
3	24319-I008-0000	GEARSHIFT PLATE	1
4	24301-LA73-00000C	GEARSHIFT SHAFT COMP	1
5	24302-I008-0000	RETURN SPRING	1
6	93301-51400520000	WASHER 14×0.5×20	2
7	B0089401140000000	CIRCLIP 14	1
8	24300-LA73-00000C	GEARSHIFT LEVER COMP	1
9	B057830006002070G	BOLT M6×20	1
10	24400-I008-0016	GEARSHIFT SHAFT	1
11	24107-I006-0000	SHAFT , GEARSHIFT FORK	1
12	24104-I006-0000	RIGHT FORK, COUNTERSHAFT	1
13	24106-I006-0000	CENTER FORK, MAINSHAFT	1
14	24105-I006-0000	LEFT FORK, COUNTERSHAFT	1
15	91126-I008-00000B	BOLT M6×25	1
16	B0009300060000000	WASHER φ6	1
17	24202-I006-0500	STOPPING PLATE	1
18	B0011901040100000	PIN 4×10	1
19	24213-ME16-0000	GEARSHIFT DRUM	1
20	24304-I006-0000	SPRING ,LOCATING PLATE	1
21	2434A-I008-0000	LOCATING PLATE ASSY	1
22	B057830006002070B	BOLT M6×20	1

CROSSFIRE
MOTORCYCLES

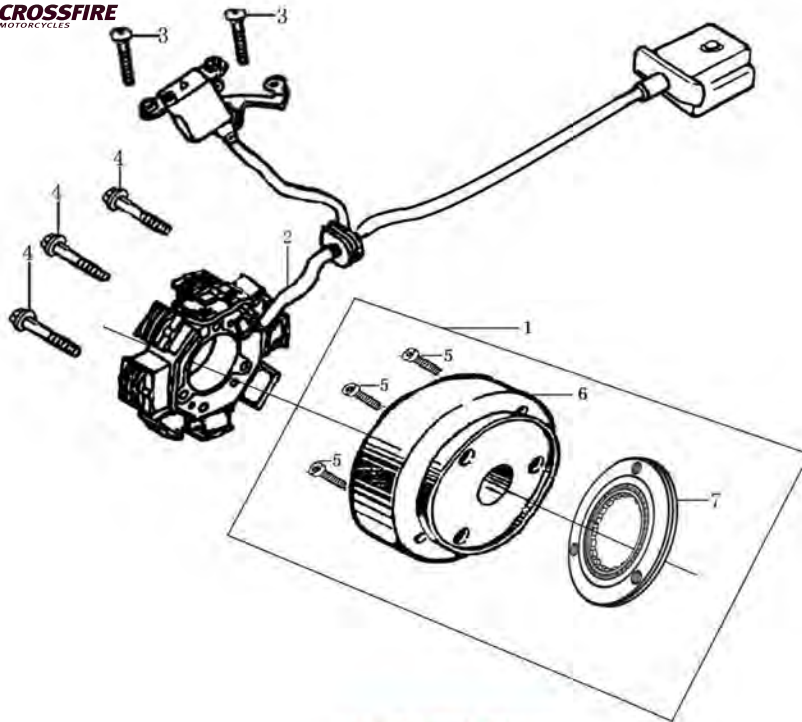


GEARSHIFT MECHANISM

MAGNETO COMP

S.N.	PART NO.	PART NAME	QUANTITY
1	82130-I008-0402	ROTOR ASSY,MAGNETO	1
2	82120-I008-051270	STATOR ASSY,MAGNETO	1
3	B057830005001670B	BOLT M5×16	2
4	B057830005003070B	BOLT M5×30	3
5	91197-I008-00000C	BOLT M8×18	3
6	82130-I008-0404	ROTOR ASSY,MAGNETO	1
7	21300-LA73-0000	ASSEMBLY, OVERRUNNING CLUTCH	1

CROSSFIRE
MOTORCYCLES

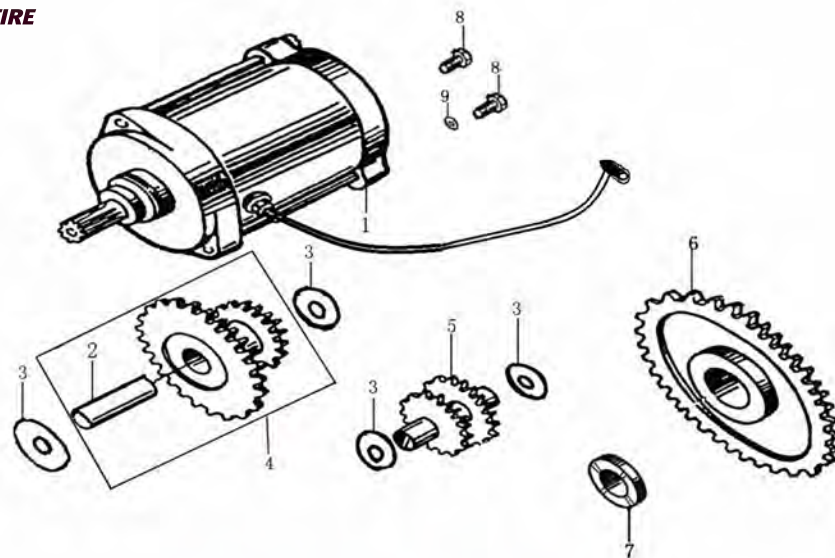


MAGNETO COMP

ELECTRIC STARTING MECHANISM

S.N.	PART NO.	PART NAME	QUANTITY
1	82200-ME05-030051	STARTING MOTOR ASSY	1
2	21402-I008-0100	SHAFT,REDUCTION	1
3	93301-51050518000	WASHER 10.5×0.5×18	4
4	2140A-ME13-0100	GEAR, REDUCTION, 1	1
5	21401-ME13-0000	GEAR, REDUCTION, 2	1
6	2142A-ME16-0100	PLATE GEAR ASSY	1
7	93301-E2206034000	WASHER 22×6.0×34	1
8	B057890006002570X	BOLT M6×25	2
9	82202-ME05-0000	WASHER	1

CROSSFIRE
MOTORCYCLES



ELECTRIC STARTING MECHANISM

