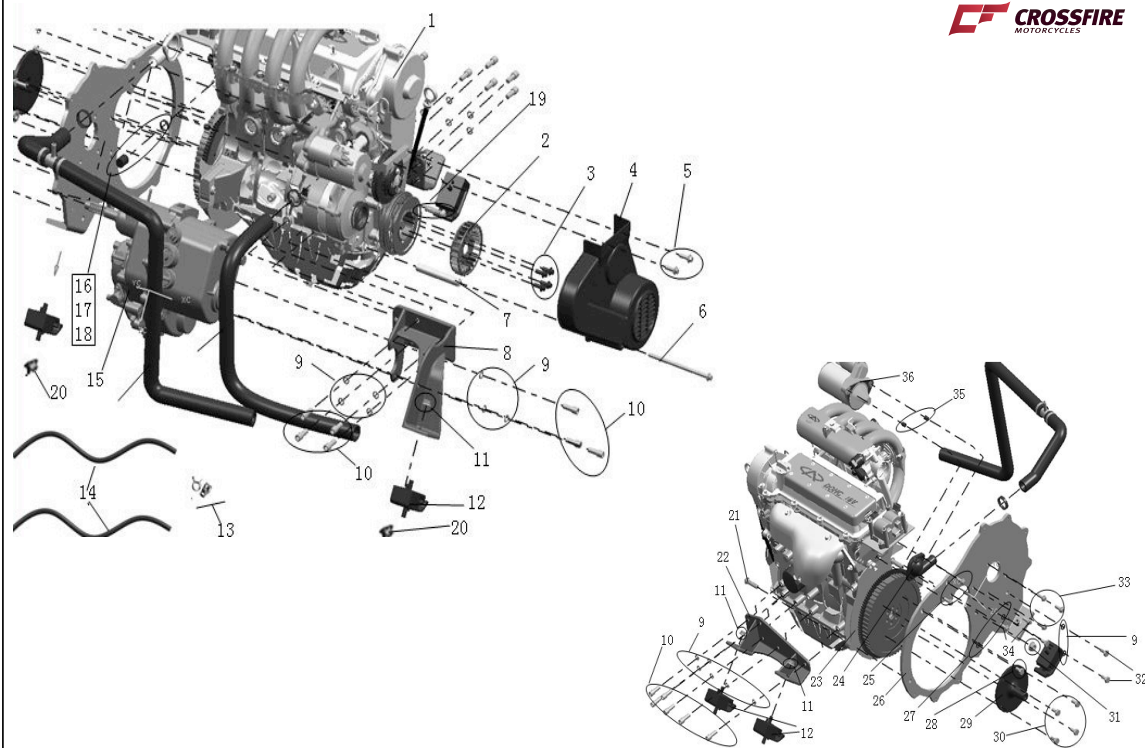


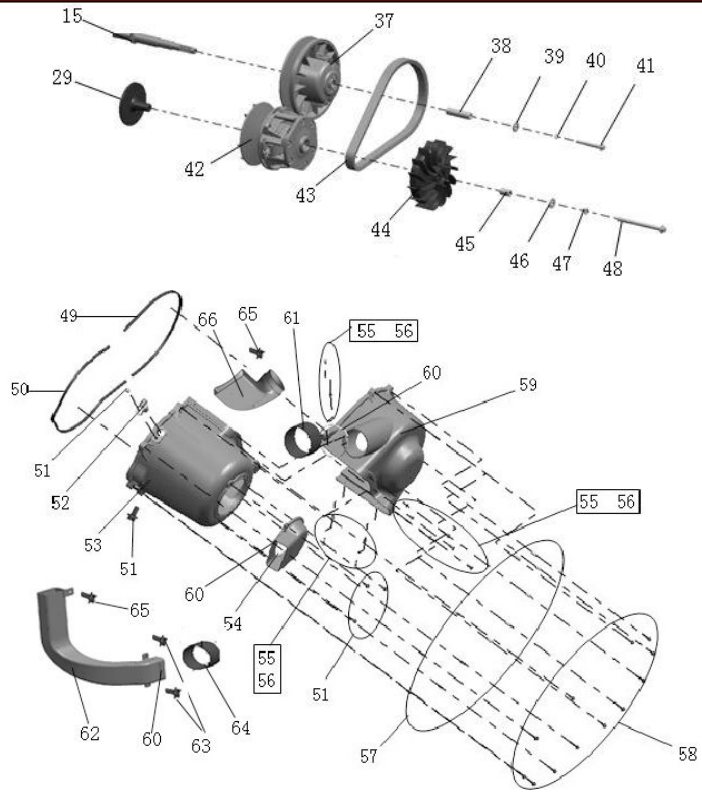
1100GT Parts Catalogue

ENGINE



CODE	PART CODE	DESCRIPTION	Q'TY
1	W0100000	ENGINE	1
2	W0101004	FAN	1
3	GB/T 5789 M6×16	BOLT - FLANGE (M6×16)	5
4	W0101003	FAN COVER	1
5	GB/T 5789 M8×16	BOLT - FLANGE (M8×16)	2
6	GB/T 5789 M8×160	BOLT - FLANGE (M8×160)	1
7	W0101002	SPACER BUSH	1
8	W0103020	ENGINE SUPPORT A	1
9	GB/T 93 10	SPRING WASHER (φ10)	15
10	GB/T 70.1 M10×25	INNER-HEX BOLT (M10×25)	13
11	GB/T 6187.1 M10×1.25	LOCKNUT - FLANGE(M10×1.25)	4
12	W0104010	RUBBER WASHER OF ENGING (SQUARE)	4
13	9852-100113	CLAMP (φ10)	2
14	A1209030	FUEL HOSEφ6×φ10.5×400	2
15	F0301000	GEAR-BOX	1
16	F0201120	COBBRA, ENGINE HOSE	1
17	17960-2040	STOPPER, ENGINE HOSE	1
18	9852-162505	CIRCLIP(16-25)	1
19	GB/T 70.2 M12×1.25×45	BOLT (M12×1.25×45)	1
20	GB/T 6187.1 M10×1.25	LOCKNUT - FLANGE(M10×1.25)	8
21	GB/T 5789 M12×1.25×35	BOLT - FLANGE(M12×1.25×35)	1
22	W0103010	ENGINE SUPPORT B	1
23	F0101269	ENVELOP BOARD, ENGINE	1
24	W0101001	OUTLET WATER GAP,ENGINE	1
25	GB/T 5787 M8×35	BOLT(M8×35)	2
26	W0301060	CVT SUPPORT COVER	1
27	GB/T 93 12	SPRING WASHER (φ12)	2
28	GB/T 5789 M12×1.75×30	BOLT - FLANGE (M12×1.75×30)	2
29	F0301121	FLANGE PLATE, CVT SUPPORT	1
30	GB/T 5787 M10×20	BOLT (M10×20)	4
31	GB/T 6187.1 M12×1.25	NUT - FLANGE(M12×1.25)	1
32	GB/T 5782 M10×25	BOLT (M10×25)	2
33	GB/T 5789 M8×25	BOLT - FLANGE (M8×25)	3
34	GB/T 5789 M8×30	BOLT - FLANGE (M8×30)	7
35	F0101002	STEEL BUSH,STARTING MOTOR	2
36	W0101005	STARTING MOTOR	1

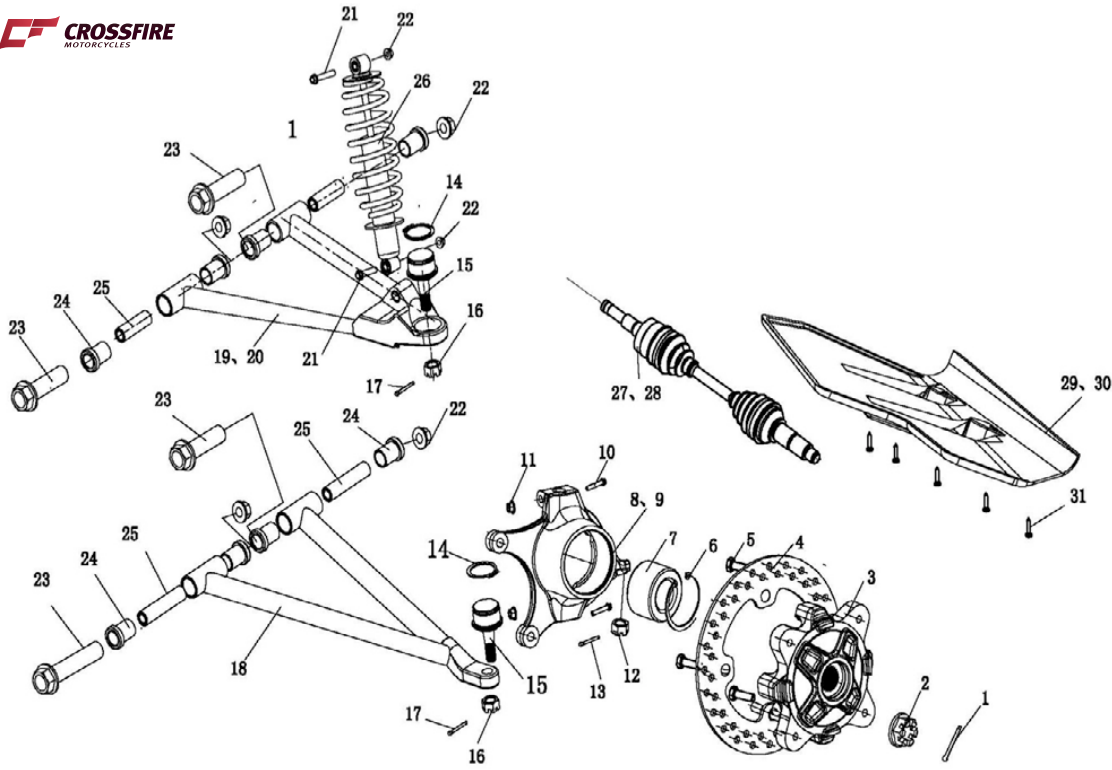
ENGINE



CODE	PART CODE	DESCRIPTION (EN)	Q'TY
37	W0301020	CVT SECONDARY SHEAVE	1
38	W0301050	ORIENTATION COVER,SECONDARY SHEAVE	1
39	GB/T 95 12	WASHER (φ12×φ30×2)	1
40	GB/T 93 10	SPRING WASHER (φ10)	1
41	GB/T 5787 M10×115	BOLT(M10×115)	1
42	W0301010	CVT DRIVER	1
43	W0301030	CVT BELT	1
44	W0301070	CVT IMPELLER	1
45	90601024	SPACER BUSH, DRIVER	1
46	GB/T 95 12	WASHER (φ12.5×φ30×3)	1
47	GB/T 93 12	SPRING WASHER (φ12)	1
48	GB/T 5787 M12×175	BOLT(M12×175)	1
49	90601026	SEAL, CVT COVER (LONG)	1
50	90601027	SEAL, CVT COVER (SHORT)	1
51	GB/T 5787 M6×12	BOLT(M6×12)	5
52	W0102010	CRANKSHAFT SENSOR	1
53	W0301160	CVT COVER (LEFT)	1
54	W0301130	JOINT, AIR INLET DUCT	1
55	GB/T 818 M6×15	BOLT(M6×15)	6
56	GB/T 95 6	WASHER (φ6×φ12×1.6)	6
57	F0301600	CVT PIN	12
58	GB/T 5787 M6×25	BOLT(M6×25)	12
59	W0301170	CVT COVER (RIGHT)	1
60	9852-801005	CIRCLIP(80-100)	1
61	W0301110	RUBBER PIPE(φ85×φ92×60)	1
62	W0301130	CVT HOSE,IMPORT WIND	1
63	9305-080200	EXPANSION SCREW(M8×20)	2
64	W0301100	RUBBER PIPE(φ85×φ92×60)	1
65	GB/T 819.1 M6×20	BOLT(M6×20)	2
66	W0301180	CVT HOSE,EXPORT WIND	1

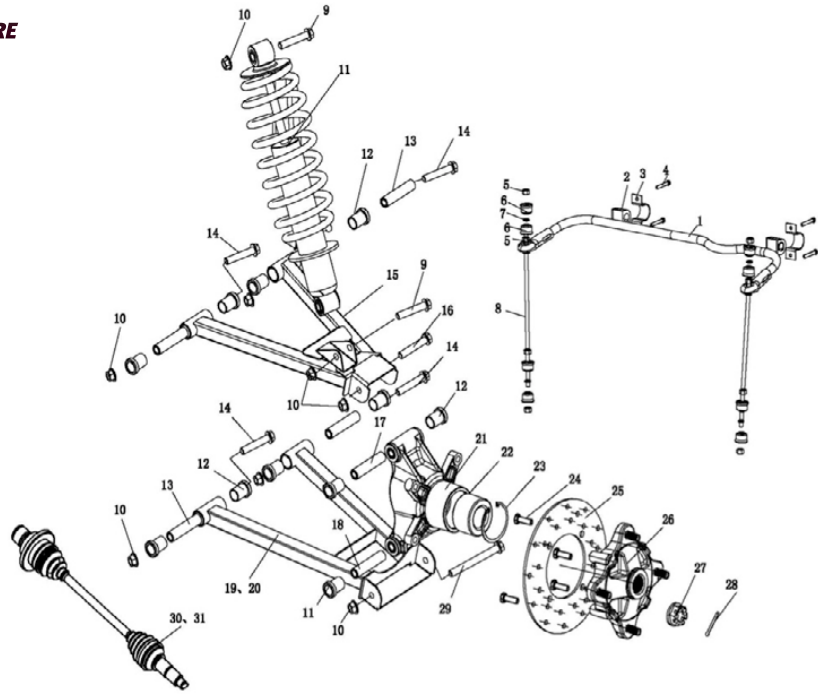
FRONT SUSPENSION

CROSSFIRE
MOTORCYCLES



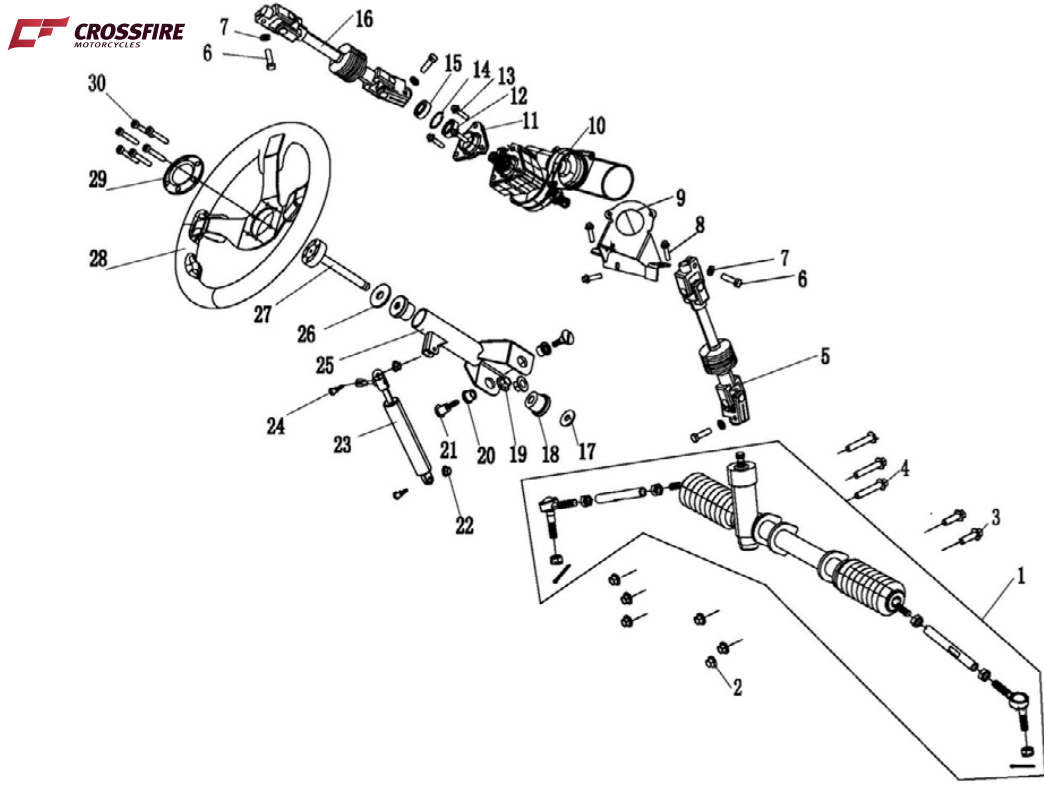
CODE	PART CODE	DESCRIPTION (EN)	Q'TY
1	W0405010	NUT	2
2	GB/T 91 3×25	COTTER PIN (3×25)	2
3	W0803010	FRONT WHEEL HUB	2
4	W0803020	FRONT BRAKE DISC	2
5	GB/T 70.1 M10×25	BOLT(M10×25)	8
6	GB/T 893.2 72	CIRCLIP (φ72)	2
7	W0503030	BEARING	2
8	W0503010	FRONT STEERING KNUCKLE(L)	1
9	W0503020	FRONT STEERING KNUCKLE(R)	1
10	GB/T 5787 M8×55	BOLT - FLANGE (M8×55)	4
11	GB/T 6187.1 M8	LOCKNUT - FLANGE(M8)	4
12	GB/T 9457 M10×1.25	NUT (M10×1.25)	2
13	GB/T 91 2.5×20	PIN , SPLIT (2.5×20)	2
14	GB/T 894.2 32	CIRCLIP(φ32)	2
15	W0505100	JOINT,ARM BALL	2
16	GB/T 6179 M12	SCREW CAP - DRIVE AXLETREE M12	4
17	GB/T 91 3×30	PIN , SPLIT (3×30)	4
18	W0505030	FRONT LOWER ARM	2
19	W0505010	FRONT LEFT ARM(UPPER)	1
20	W0505020	FRONT RIGHT ARM(UPPER)	1
21	GB/T 5787 M10×1.25×50	BOLT - FLANGE (M10×1.25×50)	4
22	GB/T 6187.1 M10×1.25	LOCKNUT - FLANGE(M10×1.25)	12
23	GB/T 5787 M10×1.25×90	BOLT - FLANGE (M10×1.25×90)	8
24	W0506020	BUSH ,ARM	16
25	W0506030	CENTER SPACER	8
26	W0501010	FRONT SHOCK ABSORBER	2
27	W0405020	FRONT CV JOINT(L)	1
28	W0405030	FRONT CV JOINT(R)	1
29	W0505040	SUSPENSION PROTECTOR(L)	1
30	W0505050	SUSPENSION PROTECTOR(R)	1
31	GB/T 845 ST4.2×20	SCREW,TAP (ST4.2×20)	10

REAR SUSPENSION



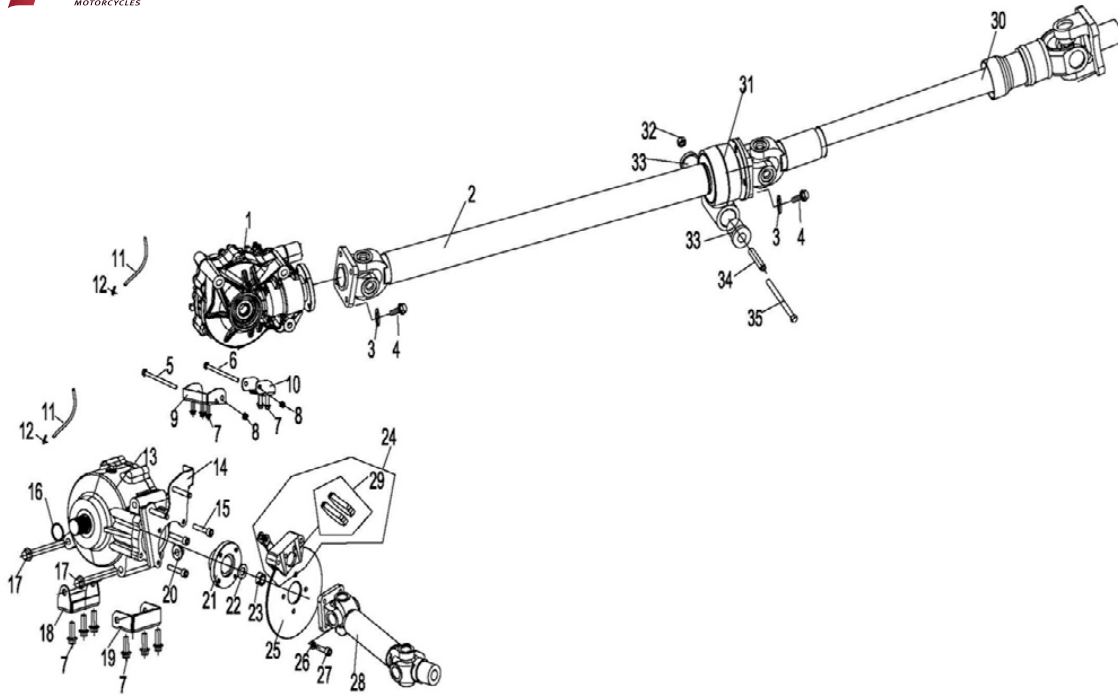
CODE	PART CODE	DESCRIPTION (EN)	Q'TY
1	W0507010	REAR STABILIZER BAR	1
2	H0507040	RUBBER WASHER	2
3	H0507050	HOLDER	2
4	GB/T 16674.2 M8×20	BOLT,FLANGE(M8×20)	4
5	GB/T 6170 M10	NUT (M10)	8
6	W0507040	STABILIZER,CUSHION RUBBER	8
7	GB/T 95 11	WASHER (φ11×φ30×2.8)	4
8	W0507050	STABILIZER BOLT	2
9	GB/T 5787 M10×1.25×50	BOLT - FLANGE (M10×1.25×50)	4
10	GB/T 6187.1 M10×1.25	LOCKNUT - FLANGE(M10×1.25)	16
11	W0502010	REAR SHOCK ABSORBER	2
12	W0506020	BUSH ,ARM	24
13	W0506030	CENTER SPACER	8
14	GB/T 5787 M10×1.25×90	BOLT - FLANGE (M10×1.25×90)	8
15	W0506010	REAR UPPER ARM ASSY	2
16	GB/T 5787 M10×1.25×110	BOLT - FLANGE (M10×1.25×110)	2
17	W0504040	BUSH ,RR KNUCKLE (S)	2
18	W0504030	BUSH ,RR KNUCKLE (L)	2
19	W0506040	REAR LEFT ARM (LOWER)	1
20	W0506050	REAR RIGHT ARM (LOWER)	1
21	W0504010	REAR STEERING KNUCKLE	2
22	W0504020	BEARING	2
23	GB/T 893.2 75	CIRCLIP(φ75)	2
24	GB/T 5782 M10×25	BOLT - FLANGE (M10×25)	8
25	W0803050	REAR BRAKE DISC	2
26	W0803040	REAR WHEEL HUB	2
27	W0405010	NUT	2
28	GB/T 91 3×25	COTTER PIN (3×25)	2
29	GB/T 5787 M10×1.25×135	BOLT - FLANGE (M10×1.25×135)	2
30	W0405040	REAR CV JOINT(L)	1
31	W0405050	REAR CV JOINT(R)	1

STEERING SYSTEM



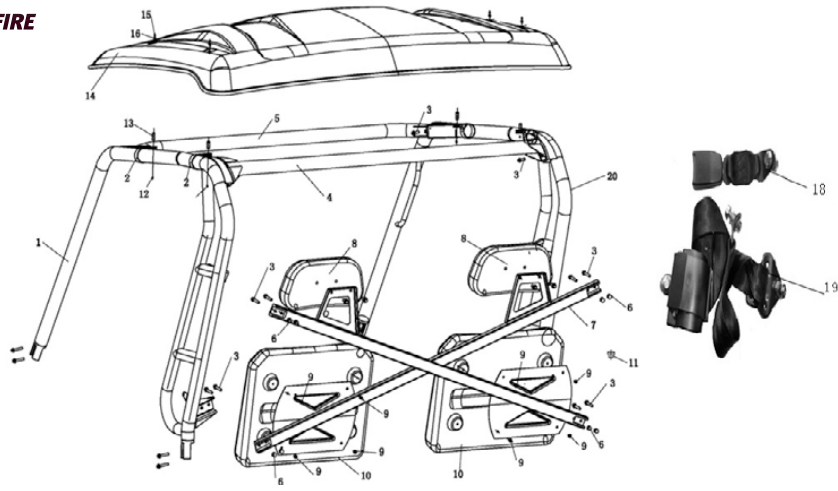
CODE	PART CODE	DESCRIPTION (EN)	Q'TY
1	W0901010	STEERING ASSY	1
2	GB/T 6187.1 M8	LOCKNUT - FLANGE(M8)	5
3	GB/T 5787 M8×16	BOLT - FLANGE (M8×16)	2
4	GB/ T5787 M8×90	BOLT - FLANGE (M8×90)	3
5	P0120045 W0904040	STEERING SHAFT STEERING SHAFT(BOTTOM)	1
6	GB/T 5787 M8×25	BOLT - FLANGE (M8×25)	2
7	GB/T 93 8	SPRING WASHER(Φ8)	2
8	W0904020	BRACKET,STEERING STRENGTHENER	1
9	GB/T 5787 M8×25	BOLT - FLANGE (M8×25)	3
10	O0904030	STEERING STRENGTHENER	1
11	O0904040	FLANGE,STEERING STRENGTHENER	1
12	O0904050	BEARING	1
13	GB/T 5787 M8×30	BOLT,FLANGE(M8×30)	3
14	GB/T 893.2 30	CIRCLIP(Φ30)	1
15	O0904060	OIL SEAL,STEERING STRENGTHENER	1
16	W0904030	STEERING SHAFT(TOP)	1
17	GB/T 95 14	GASKET(Φ14×Φ26×3)	1
18	O0903050	SPACER BUSH (NYLON)	2
19	GB/T 6187.2 M8	LOCKING NUT(M8)	2
20	W0806030	SPACER BUSH (NYLON)	2
21	O0903010	BOLT,STEERING COLUMN	2
22	GB/T 6187.2 M6	LOCKING NUT(M6)	2
23	W0903020	GAS SRPING,STEERING COLUMN	1
24	S1001005	BOLT(M6)	2
25	O0903080	STEERING COLUMN	1
26	W0903050	SPRING WASHER	2
27	90101020	CORE SHAFT,STEERING	1
28	A0902010	STEERING WHEEL ASSY	1
29	W0902010	DECORATING COVER	1
30	GB/T 70.1 M5×15	BOLT(M5×15)	6

FRONT - REAR AXLE ASSY



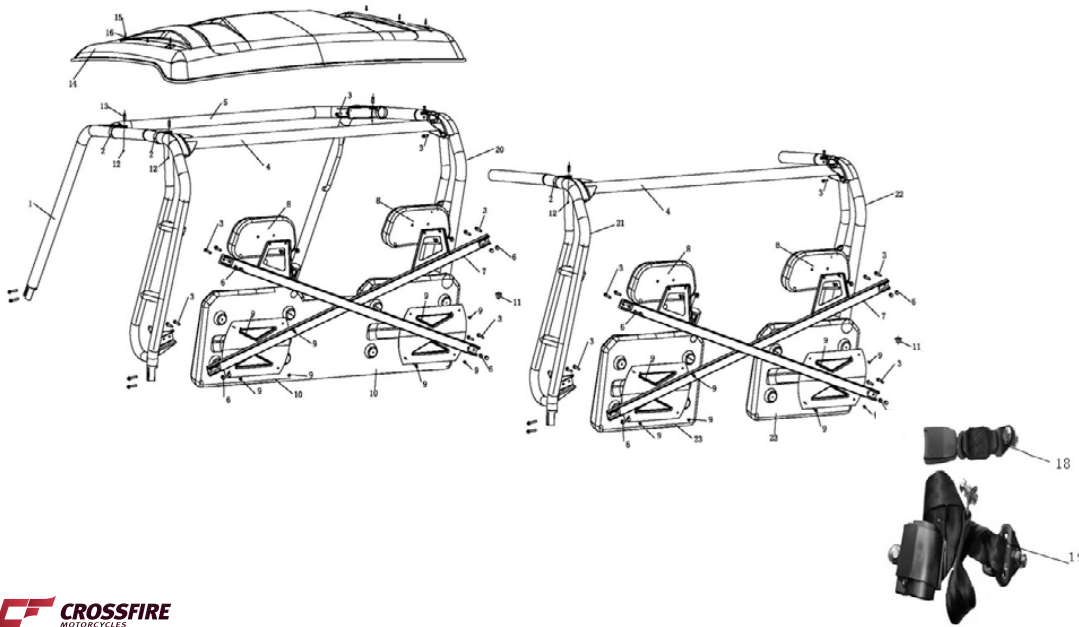
CODE	PART CODE	DESCRIPTION (EN)	Q'TY
1	W0401010	FRONT AXLE	1
2	W0404030	FRONT DRIVE SHAFT	1
3	GB/T 93 8	SPRING WASHER (φ8)	4
4	GB/T 70.1 M8×25	BOLT(M8×25)	4
5	GB/T 5787 M10×1.25×145	BOLT - FLANGE (M10×1.25×145)	1
6	GB/T 5787 M10×1.25×85	BOLT - FLANGE (M10×1.25×85)	1
7	GB/T 5787 M8×16	BOLT - FLANGE (M8×16)	12
8	GB/T 6187.1 M10×1.25	LOCKNUT - FLANGE(M10×1.25)	2
9	W0401020	HOLDER,FRONT AXLE(FR)	1
10	W0401030	HOLDER,FRONT AXLE(RR)	1
11	H0205040	AIR HOSE, AXLE(φ6×φ8×450)	2
12	9852-100113	CLAMP (φ10)	2
13	W0402000	REAR AXLE	1
14	W0402030	SUPPORT,PARKING CALIPER	1
15	GB/T 70.1 M8×45	BOLT(M8×45)	3
16	GB/T 895.2 32	CIRCLIP(φ32)	2
17	GB/T 5787 M12×1.25×115	BOLT - FLANGE (M12×1.25×115)	2
18	W0402010	SUPPORT,REAR AXLE (R)	1
19	W0402020	HOLDER,REAR AXLE(RR)	1
20	GB/T 6187.1 M12×1.25	LOCKNUT - FLANGE(M12×1.25)	2
21	W0404010	COUPLING FLANGE	1
22	GB/T 95 14	WASHER(φ14×φ28×2)	1
23	GB/T 6170 M14×1.25	NUT(M14×1.25)	1
24	W0809010	PARKING DISC	1
25	W0809020	PARKING CALIPER	1
26	GB/T 93 8	SPRING WASHER (φ8)	4
27	GB/T 70.1 M8×30	BOLT(M8×30)	4
28	W0404020	REAR DRIVE SHAFT	1
29	91501007	PARKING DISC PAD	2
30	W0404040	FRONT DRIVE SHAFT (MIDDLE)	1
31	GB/T 6187.1 M10×1.25	LOCKNUT - FLANGE(M10×1.25)	1
32	C0404070	BUSHING,DRIVE SHAFT	2
33	C0404060	BRIDGE,DRIVE SHAFT	1
34	F0404050	BUSH	1
35	GB/T 5786 M10×1.25×105	BOLT (M10×1.25×105)	1

CEILING JOIST



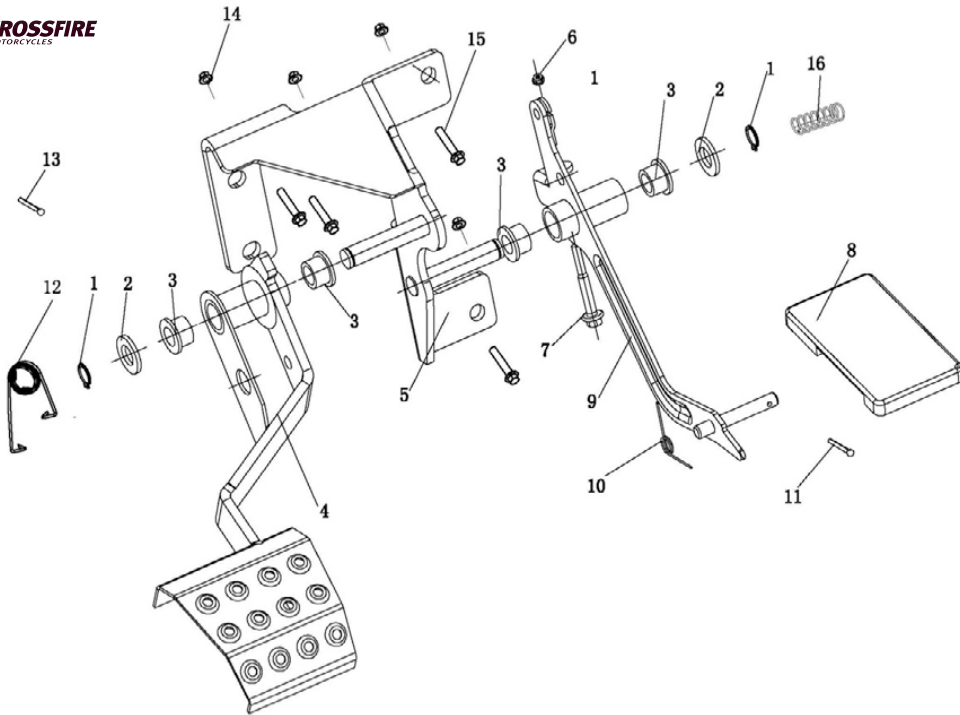
CODE	PART CODE	DESCRIPTION (EN)	Q'TY
1	W1202010	FRONT PROTECT POLE ASSY(L)	1
2	W1202030	HOOP(φ45)	4
3	GB/T 5787 M8×16	BOLT - FLANGE (M8×16)	16
4	W1202040	REAR THWARTWISE PIPE	1
5	W1202050	FRONT BENT PIPE	1
6	GB/T 923 M8	CAP NUT(M8)	8
7	W1204010	BACKREST PIPE	1
8	A1213010	HEADREST	2
9	GB/T 818 M5×20	SCREW(M5×20)	8
10	W1212060	BACKREST	2
11	W1112050	RUBBER - STORE BOX	2
12	GB/T 923 M6	CAP NUT(M6)	4
13	W1202060	CENTER SPACER, HOOP	4
14	W1106010	CEILING	1
15	GB/T 5787 M6×55	BOLT - FLANGE (M6×55)	4
16	GB/T 95 6	WASHER(φ6×φ12×2)	4
17	GB/T 70.1 M10×30	BOLT(M10×30)	8
18	L1222020	LOCK CATCH, SAFETY BELT	2
19	L1111011	SAFETY BELT ASSY	2
20	W1202020	FRONT PROTECT POLE ASSY(R)	1

CEILING JOIST



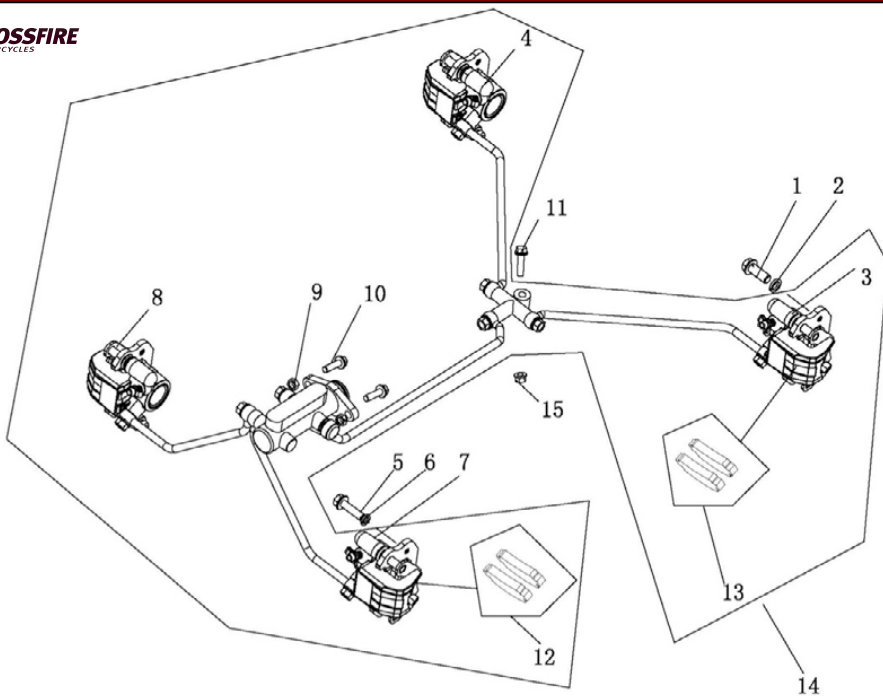
CODE	PART CODE	DESCRIPTION (EN)	Q'TY
1	W1202500	FRONT PROTECT POLE ASSY(L)	1
2	W1202030	HOOP(φ45)	6
3	GB/T 5787 M8×16	BOLT - FLANGE (M8×16)	32
4	W1202040	REAR THWARTWISE PIPE	2
5	W1202050	FRONT BENT PIPE	1
6	GB/T 923 M8	CAP NUT(M8)	16
7	W1204010	BACKREST PIPE	2
8	A1213010	HEADREST	4
9	GB/T 818 M5×20	SCREW(M5×20)	16
10	W1212050	BACKREST	2
11	W1112050	RUBBER - STORE BOX	4
12	GB/T 923 M6	CAP NUT(M6)	6
13	W1202060	CENTER SPACER, HOOP	6
14	W1106020	CEILING	1
15	GB/T 5787 M6×55	BOLT - FLANGE (M6×55)	6
16	GB/T 95 6	WASHER(φ6×φ12×2)	6
17	GB/T 70.1 M10×30	BOLT(M10×30)	12
18	L1222020	LOCK CATCH, SAFETY BELT	4
19	L1111011	SAFETY BELT ASSY	4
20	W1202510	FRONT PROTECT POLE ASSY(R)	1
21	W1202520	REAR PROTECT POLE ASSY(L)	1
22	W1202530	REAR PROTECT POLE ASSY(R)	1
23	W1212060	BACKREST	2

BRAKE - THROTTLE PEDAL ASSY



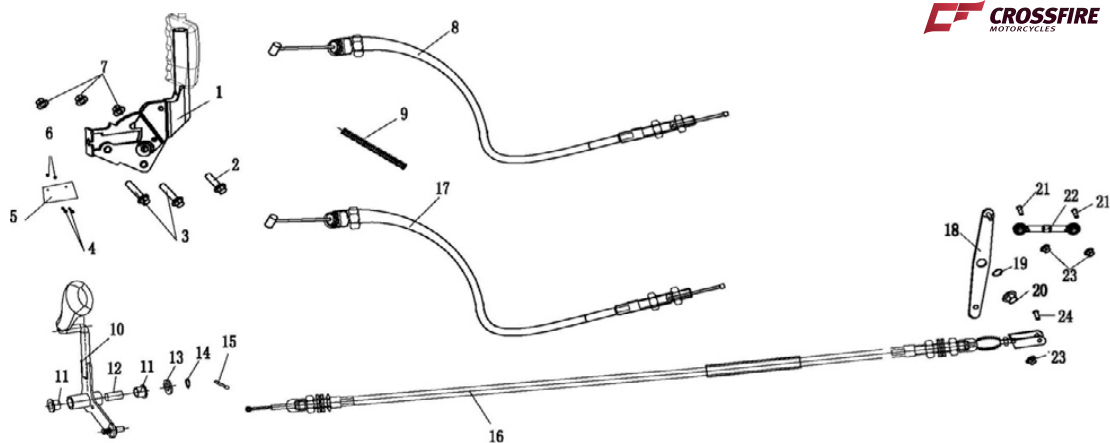
CODE	PART CODE	DESCRIPTION (EN)	Q'TY
1	W0806040	"E" CLAMP SPRING(ϕ 12)	2
2	GB/T 95 12	WASHER(ϕ 12 \times ϕ 24 \times 2)	2
3	W0806030	SPACER BUSH(NYLON)	4
4	W0806010	BRAKE PEDAL ASSY	1
5	W0806020	HOLDER - BRAKE AND THROTTLE	1
6	GB/T 6187.1 M6	NUT - FLANGE(M6)	1
7	GB/T 5787 M6 \times 60	BOLT - FLANGE (M6 \times 60)	1
8	W0109010	COVER BOARD,CTHROTTLE PEDAL	1
9	W0109050	CTHROTTLE PEDAL ASSY	1
10	L0810042	TORSION SPRING(SMALL)	1
11	GB/T 91 2.5 \times 20	COTTER PIN (2.5 \times 20)	1
12	W1216070	TORSION SPRING (BIG)	1
13	GB/T 91 2.0 \times 16	COTTER PIN (2.0 \times 16)	1
14	GB/T 6187.1 M10 \times 1.25	LOCKNUT - FLANGE(M10 \times 1.25)	4
15	GB/T 16674.2 M10 \times 1.25 \times 25	BOLT,FLANGE(M10 \times 1.25 \times 25)	4
16	W0806050	EXTENSION SPRING	1

BRAKE SYSTEM



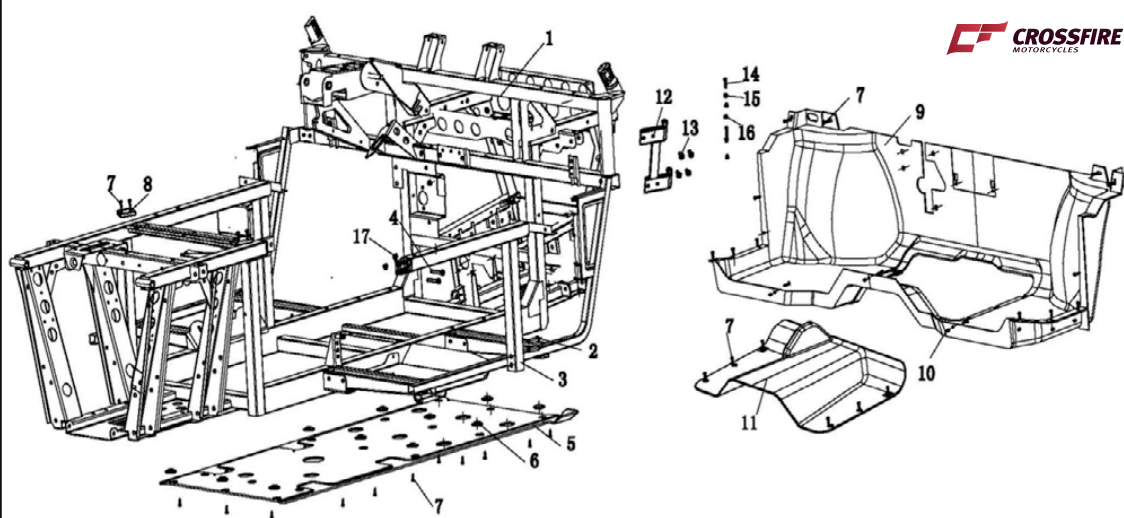
CODE	PART CODE	DESCRIPTION (EN)	Q'TY
1	GB/T 5787 M10 \times 1.25 \times 25	BOLT - FLANGE (M10 \times 1.25 \times 25)	4
2	GB/T 93 10	SPRING WASHER(ϕ 10)	8
3	91501011	LEFT CALIPER - REAR BRAKE	1
4	91501010	RIGHT CALIPER - REAR BRAKE	1
5	GB/T 5787 M10 \times 1.25 \times 20	BOLT - FLANGE (M10 \times 1.25 \times 20)	4
6	GB/T 93 10	SPRING WASHER(ϕ 10)	8
7	91501009	RIGHT CALIPER - FRONT BRAKE	1
8	91501008	LEFT CALIPER - FRONT BRAKE	1
9	GB/T 6170 M10	NUT(M10)	2
10	GB/T 5787 M10 \times 20	BOLT - FLANGE (M10 \times 20)	2
11	GB/T 5787 M8 \times 30	BOLT - FLANGE (M8 \times 30)	1
12	91501005	FRONT BRAKE PAD	4
13	91501006	REAR BRAKE PAD	4
14	W0801010	BRAKE CALIPER ASSY	1
14	W0801020	BRAKE CALIPER ASSY	1
15	GB/T 6170 M8	NUT(M8)	1

GEAR SHIFTING



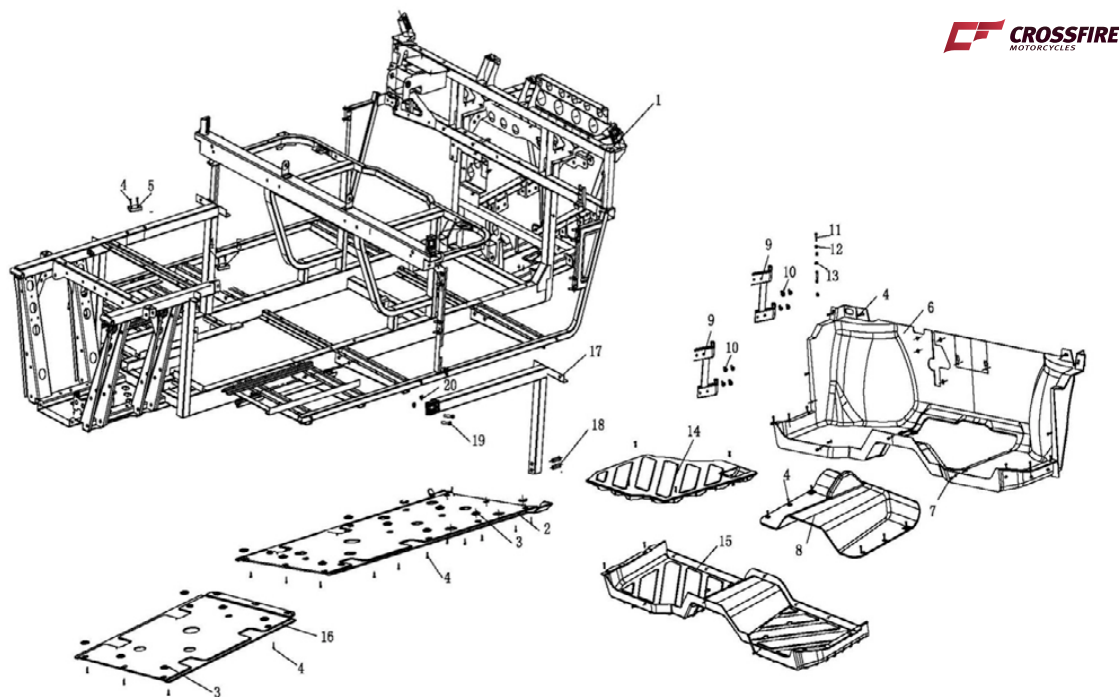
CODE	PART CODE	DESCRIPTION (EN)	Q'TY
1	O0810010	HANDLE BRAKE	1
2	GB/T 5787 M8×30	BOLT - FLANGE (M8×30)	2
3	GB/T 5787 M8×25	BOLT - FLANGE (M8×25)	1
4	GB/T 818 M2×16	SCREW(M2×16)	2
5	W1005050	HANDBRAKE SWITCH	1
6	GB/T 6170 M2	NUT (M2)	2
7	GB/T 6187.1 M8	LOCKNUT - FLANGE (M8)	6
8	W0810030	CABLE, PARKING	1
8	W0810031	CABLE, PARKING	1
9	W0810040	CABLE,PARKING	1
10	W0303030	GEARCHANGE HANDLE	1
11	W0806030	SPACER BUSH(NYLON)	2
12	W0303040	PIN,GEARSHIFT CABLE	1
13	GB/T 95 12	WASHER(φ12×φ24×2)	2
14	W0806040	"E" CLAMP SPRING(φ12)	2
15	GB/T 91 2.5×20	COTTER PIN (2.5×20)	1
16	W0303050	GEARSHIFT CABLE	1
16	W0303051	GEARSHIFT CABLE	1
17	W0109020	THROTTLE CABLE	1
17	W0109021	THROTTLE CABLE	1
18	W0303080	GEARSHIFT ROCKER	1
19	GB/T 95 10	WASHER(φ10×φ20×2)	1
20	GB/T 6187.1 M10×1.25	LOCKNUT - FLANGE(M10×1.25)	1
21	GB/T 5787 M6×25	BOLT - FLANGE (M6×25)	2
22	W0303060	KNUCKLE BEARING,GEARSHIFT	1
23	GB/T 6187.1 M6	LOCKNUT - FLANGE(M6)	3
24	GB/T 5787 M6×30	BOLT - FLANGE (M6×30)	1

FRAME



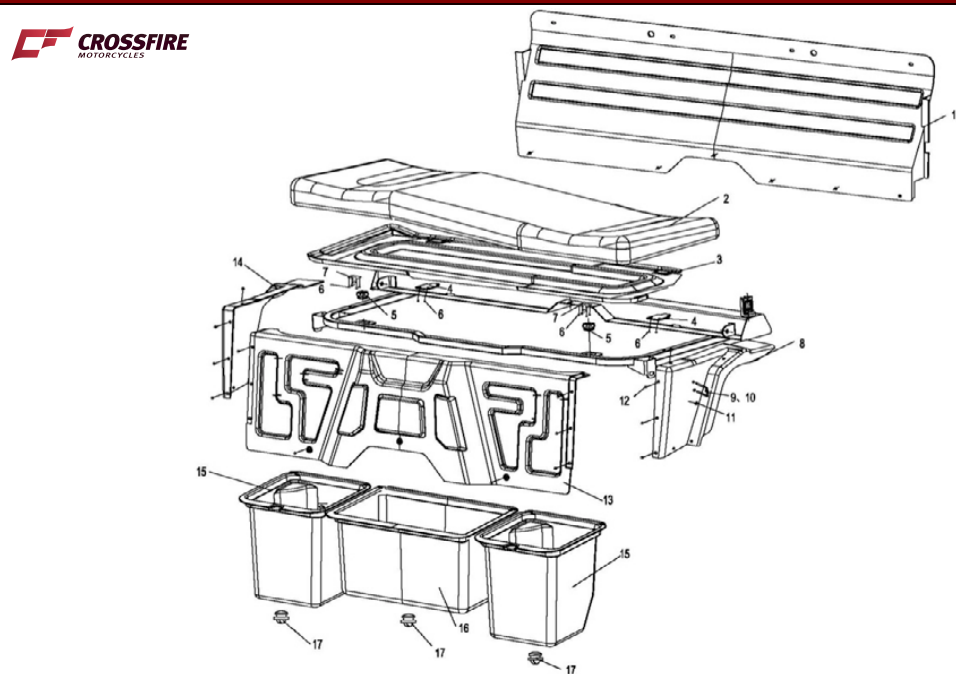
CODE	PART CODE	DESCRIPTION (EN)	Q'TY
1	W1201000	FRAME	1
2	GB/T 5787 M8×25	BOLT - FLANGE (M8×25)	2
3	W1201010	STAND PIPE,REAR UPPER FRAME	1
4	GB/T 70.1 M10×30	BOLT (M10×1.25×30)	2
5	W1211020	FRONT PROTECT SOLEPLATE	1
6	W1211030	WASHER	12
7	GB/T 819.1 M6×16	BOLT(M6×16)	35
8	W1216280	RUBBER WASHER	2
9	W1215010	GUARD,MAIN FRAME(I)	1
10	9401-060003	NUT,CLIP (M6)	9
11	W1211010	TRANSMISSION SHAFT COVER BOARD	1
12	W1217080	GEMEL,HALF DOOR	2
13	GB/T 5787 M6×20	BOLT - FLANGE (M6×20)	8
14	GB/T 5787 M8×55	BOLT - FLANGE (M8×55)	4
15	A1217180	SPACER BUSH	8
16	GB/T 6187.1 M8	LOCKNUT - FLANGE(M8)	20
17	GB/T 6187.1 M10×1.25	LOCKNUT - FLANGE(M10×1.25)	2

FRAME



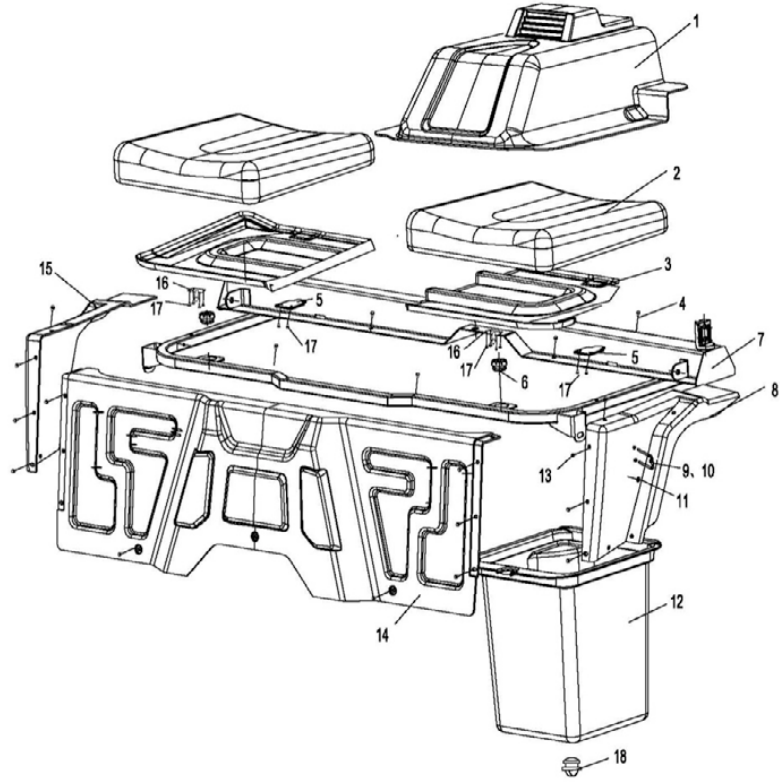
CODE	PART CODE	DESCRIPTION (EN)	Q'TY
1	W1201500	FRAME	1
2	W1211020	FRONT PROTECT SOLEPLATE	1
3	W1211030	WASHER	18
4	GB/T 819.1 M6×16	BOLT(M6×16)	50
5	W1216280	RUBBER WASHER	2
6	W1215010	MAIN FRAME.BOARDING	1
7	9401-060003	NUT,CLIP (M6)	9
8	W1211010	TRANSMISSION SHAFT COVER BOARD	1
9	W1217080	GEMEL,HALF DOOR	2
10	GB/T 5787 M6×20	BOLT - FLANGE (M6×20)	8
11	GB/T 5787 M8×55	BOLT - FLANGE (M8×55)	4
12	A1217180	SPACER BUSH	8
13	GB/T 6187.1 M8	LOCKNUT - FLANGE(M8)	8
14	W1214060	HIGHER FLOOR PLATE	1
15	W1214030	FLOOR BOARD	1
16	W1211040	REAR PROTECT SOLEPLATE	1
17	W1201010	STAND PIPE,REAR UPPER FRAME	1
18	GB/T 5787 M8×25	BOLT - FLANGE (M8×25)	2
19	GB/T 70.1 M10×30	BOLT (M10×1.25×30)	2
20	GB/T 6187.1 M10×1.25	LOCKNUT - FLANGE(M10×1.25)	2

FRONT SEAT



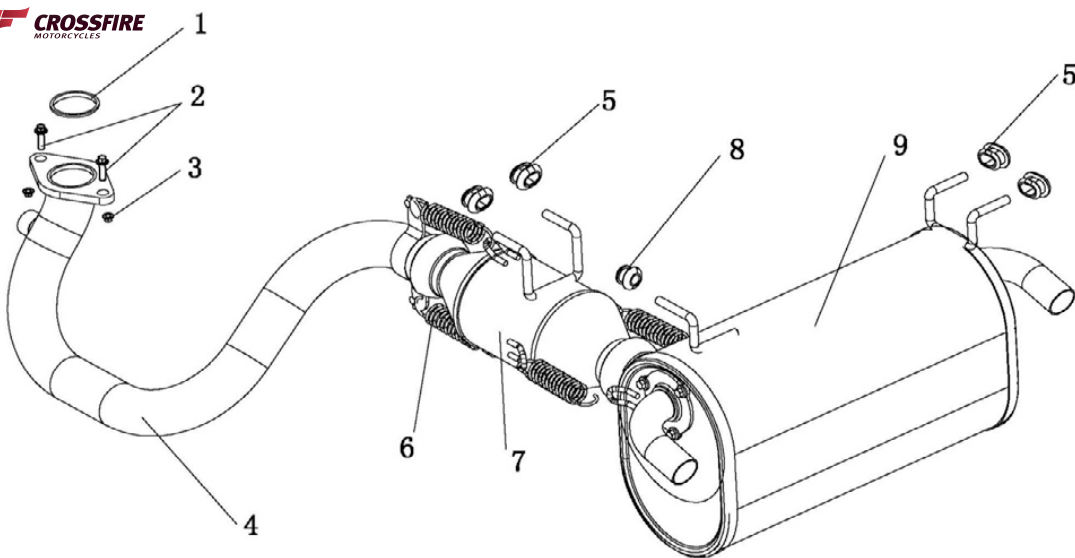
CODE	PART CODE	DESCRIPTION (EN)	Q'TY
1	W1206070	SEAT REAR COVER	1
2	W1212040	SEAT CUSHION (B)	1
3	W1207020	SEAT MOTHERBOARD	2
4	W1212070	SEAT BOARD	2
5	J1205020	CARD BLOCK, SEAT	2
6	GB/T 845 ST 4.8×16	TAPPING SCREW (ST 4.8×16)	12
7	K1212010	HOLDER - SEAT	2
8	W1206010	LEFT COVER - SEAT	1
9	A1217010	"U" HOOK LOCK	2
10	GB/T 6187.1 M8	NUT - FLANGE(M8)	8
11	H1209130	RUBBER CUSHION	2
12	9305-080200	EXPANSION SCREW(M8×20)	31
13	W1206050	SEAT FRONT COVER	1
14	W1206020	RIGHT COVER - SEAT	1
15	W1206060	STORE BOX (S)	2
16	W1206080	STORE BOX (B)	1
17	W1112060	LOCKER LEAK PLUGGING BLOCK	3

REAR SEAT



CODE	PART CODE	DESCRIPTION (EN)	Q'TY
1	W1113010	ENGINE COVER(UPPER)	1
2	W1212020	REAR SEAT CUSHION	2
3	W1207010	SEAT MOTHERBOARD(S)	2
4	GB/T 5787 M8×16	BOLT - FLANGE (M8×16)	10
5	W1212070	SEAT BOARD	2
6	J1205020	CARD BLOCK, SEAT	2
7	W1205010	SEAT FRAME ASSY	1
8	W1206010	LEFT COVER - SEAT	1
9	A1217010	"U" HOOK LOCK	2
10	GB/T 6187.1 M8	NUT - FLANGE(M8)	8
11	H1209130	RUBBER CUSHION	2
12	W1206060	STORE BOX(S)	1
13	9305-080200	EXPANSION SCREW(M8×20)	20
14	W1206050	SEAT FRONT COVER	1
15	W1206020	RIGHT COVER - SEAT	1
16	K1212010	HOLDER - SEAT	2
17	GB/T 845 ST 4.8×16	TAPPING SCREW (ST 4.8×16)	12
18	W1112060	LOCKER LEAK PLUGGING BLOCK	1
19			
20			
21			
22			
23			
24			
25			

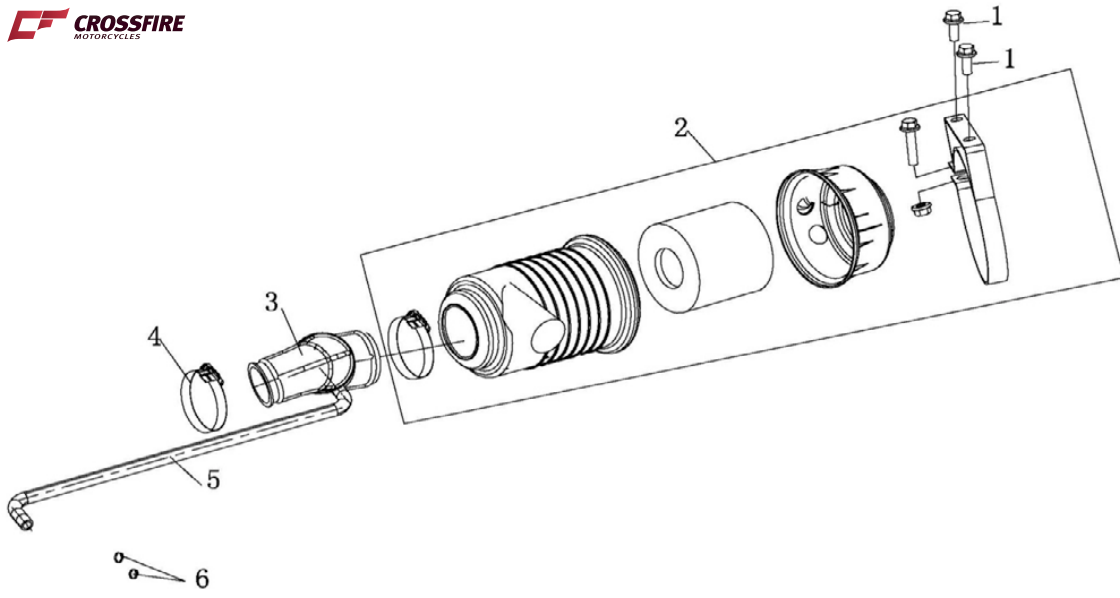
MUFFLER ASSY



CODE	PART CODE	DESCRIPTION (EN)	Q'TY
1	W0107060	SEAL RING	1
2	GB/T 5787 M10×30	BOLT - FLANGE(M10×30)	2
3	GB/T 6177.1 M10	LOCKNUT - FLANGE(M10)	2
4	W0107010	EXHAUST PIPE	1
5	W0107040	RUBBER WASHER A	4
6	F0107050	TENSION SPRING, EXHAUST PIPE	4
7	W0108010	CATALYTIC CONVERTER	1
8	W0107030	RUBBER WASHER B	1
9	W0107050	MUFFLER	1

AIR FILTER

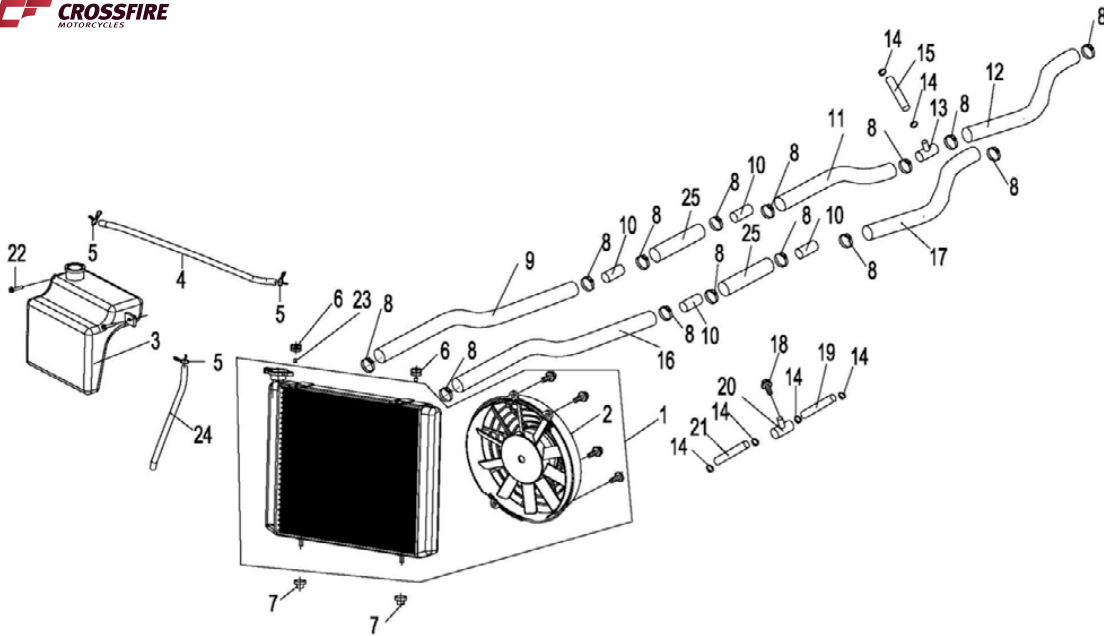
CROSSFIRE
MOTORCYCLES



CODE	PART CODE	DESCRIPTION (EN)	Q'TY
1	GB/T 5787 M8×16	BOLT,FLANGE (M8×16)	2
2	W0105010	AIR FILTER	1
3	W0106010	INTAKE TUBE - AIR FILTER	1
4	9852-506205	CIRCLIP 50-62	1
5	W0106020	INTAKE MANIFOLD	1
6	9852-200003	CLAMP (φ20)	2

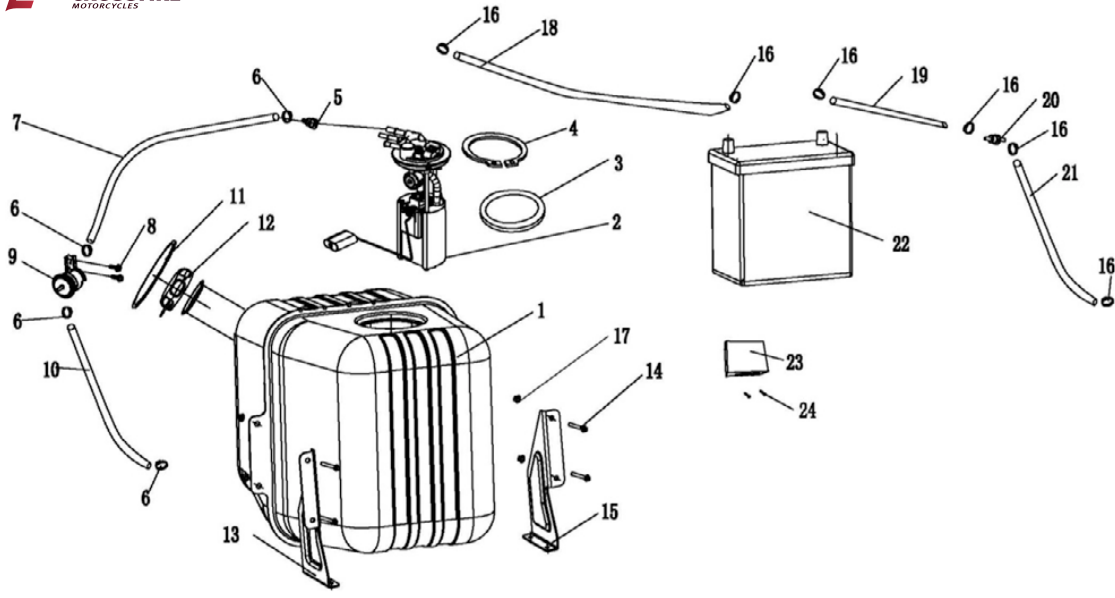
COOLING SYSTEM

CROSSFIRE
MOTORCYCLES



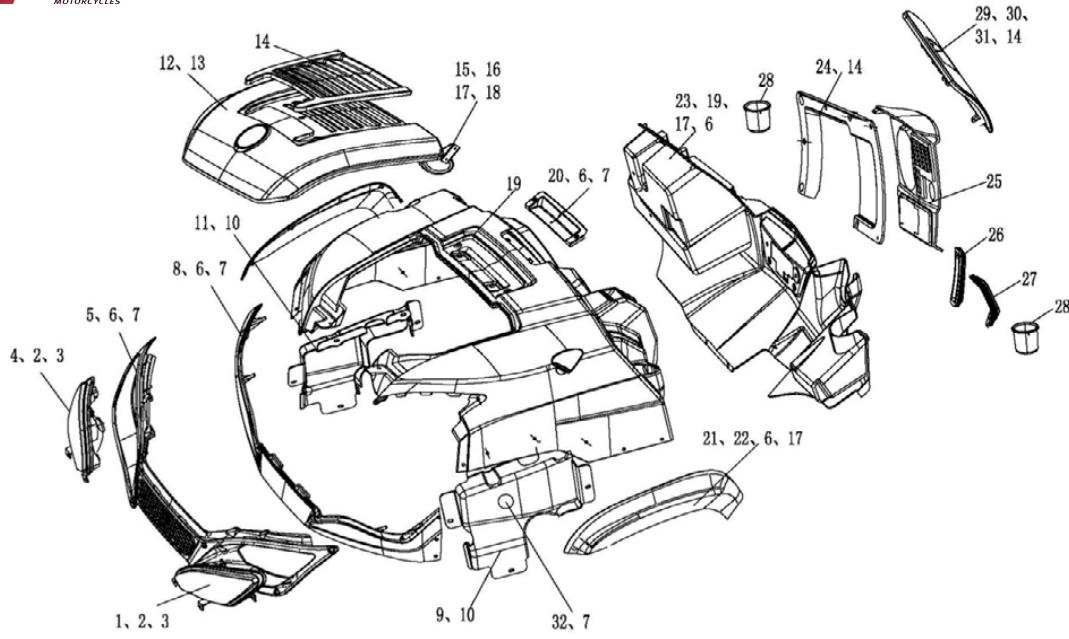
CODE	PART CODE	DESCRIPTION (EN)	Q'TY
1	W0202010	RADIATOR	1
2	W0203020	FAN ASSY	1
3	W0205030	RADIATOR RESERVE	1
4	W0201130	WATER HOSE 1(φ6×φ10×450)	1
5	9852-100113	CLAMP (φ10)	3
6	O0202020	BUFFERING COLLAR	2
7	W1112050	BUMPERBLOCK,RADIATOR	2
8	9852-253805	CLAMP (25-38)	10
9	W0201080	INLET PIPE,ENGINE (FRONT)	1
10	W0201060	TIE-IN INTAKE PIPE	2
11	W0201090	INLET PIPE,ENGINE (MIDDLE)	1
12	W0201100	INLET PIPE,ENGINE (REAR)	1
13	W0201070	T-JOINT,WATER PIPE	1
14	9852-131905	CLAMP (13-19)	6
15	W0201050	CYCLE PIPE (REAR)	1
16	W0201120	OUTLET PIPE,ENGINE (FRONT)	1
17	W0201110	OUTLET PIPE,ENGINE (RAER)	1
18	GB/T 5787 M6×16	BOLT,FLANGE (M6×16)	1
19	W0201040	CYCLE PIPE (FRONT)	1
20	W0101006	EXHAUST CLIQUE	1
21	W0201040	CYCLE PIPE (FRONT)	1
22	GB/T 819.1 M6×12	BOLT(M6×20)	2
23	O0202030	SPACER BUSH	2
24	W0201140	WATER HOSE 2(φ6×φ10×200)	1
25	70900001	PIPE,ENGINE (MIDDLE)	2

FUEL TANK



CODE	PART CODE	DESCRIPTION (EN)	Q'TY
1	W1209030	FUEL TANK	1
2	W1209050	FUEL PUMP	1
3	F1209080	"O"SEAL RING($\phi 6 \times \phi 100$)	1
4	GB/T 893.1 120	HOOP ($\phi 120 \times 2$)	1
5	F1209120	JOINT,FUEL HOSE	1
6	9852-131905	CLAMP (13-19)	4
7	W1209080	FUEL HOSE	1
8	GB/T 5787 M8×16	BOLT,FLANGE (M8×16)	2
9	A1209071	FUEL FILTER ASSY	1
10	W1209090	FUEL HOSE	1
11	W1209070		1
12	A1005051	CAP,FUEL TANK	1
13	W1209040	SUPPORT, FUEL TANK(L)	1
14	GB/T 5787 M6×12	BOLT,FLANGE (M6×12)	8
15	W1209041	SUPPORT, FUEL TANK(R)	1
16	9852-100113	CLAMP ($\phi 10$)	6
17	GB/T 6187.1 M6	LOCKNUT - FLANGE(M6)	8
18	W1209110	INLET WINDPIPE (FRONT)	1
19	W1209120	INLET WINDPIPE (MIDDLE)	1
20	W1209100	RELAY,CARBON CANISTER	1
21	W1209130	INLET WINDPIPE(RAER)	1
22	W1209140	CARBON CANISTER	1
23	R1600031	DEAD PLATE	1
24	S0501003	RIVET(5×20)	2

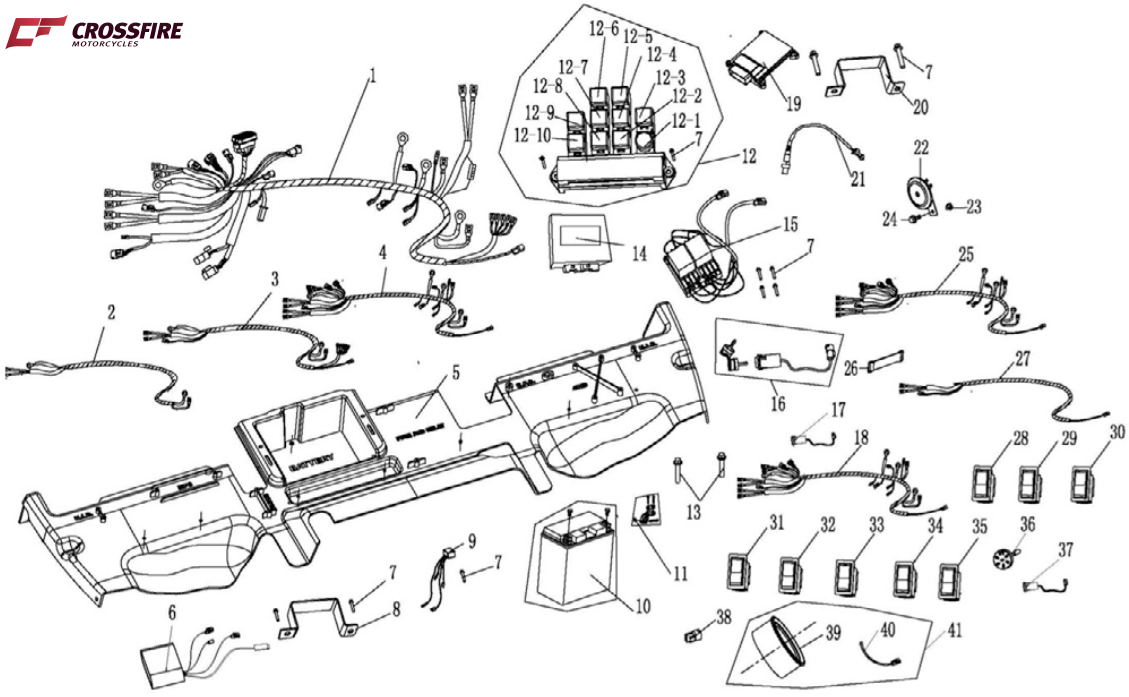
FRONT COVER ASSY



CODE	PART CODE	DESCRIPTION (EN)	Q'TY
1	W1008010	HEADLIGHT (L)	1
2	GB/T 845 ST5.2×20	TAPPING SCREW(ST5.2×20)	8
3	GB/T 95 5	WASHER(φ5×φ10×1)	8
4	W1008020	HEADLIGHT(R)	1
5	W1101020	FRONT COVER, VENT GRILLE	1
6	GB/T 819.1 M6×20	SCREW(M6×20)	30
7	GB/T 6177.1 M6	NUT(M6)	19
8	W1102010	BOARDING - VENT GRILLE(FRONT)	1
9	W1103040	FRONT MUDGUARDR(R)	1
10	9305-080200	EXPANSION SCREW(M8×20)	11
11	W1103030	FRONT MUDGUARDR(L)	1
12	W1101050	ENGINE COVER BOARD	1
13	GB/T 845 ST4.2×20	TAPPING SCREW(ST4.2×20)	13
14	W1101060	ENGINE COVER BOARD DECORATE COVER	1
15	GB/T 819.1 M6×20	SCREW(M6×20)	8
16	9011-060007	RUBBER WASHER(φ6)	21
17	W1101040	GEMEL	2
18	9401-060003	NUT,CLIP (M6)	13
19	W1101080	DECORATE COVER, FRONT COVER	1
20	W1101010	FRONT COVER	1
21	W1103010	COVER, LEFT LINE.FR (L)	1
22	W1103020	COVER, RIGHT LINE.FR (L)	1
23	W1105030	SCALEBOARD, METER PANEL	1
24	W1112010	SEPTI-BOARD, STORE BOX	1
25	W1105010	METER PANEL	1
26	W0303010	AIRPROOF COVER,GEARSHIFT	1
27	W0810010	AIRPROOF COVER,PARKING HANDLE	1
28	L1105010	TEACUP COVER	2
29	W1112070	COVER BOARD,STORE BOX	1
30	W1112030	PIN	1
31	W1112040	SUPPORT,PIN	1
32	A1008140	REFLECTER	2

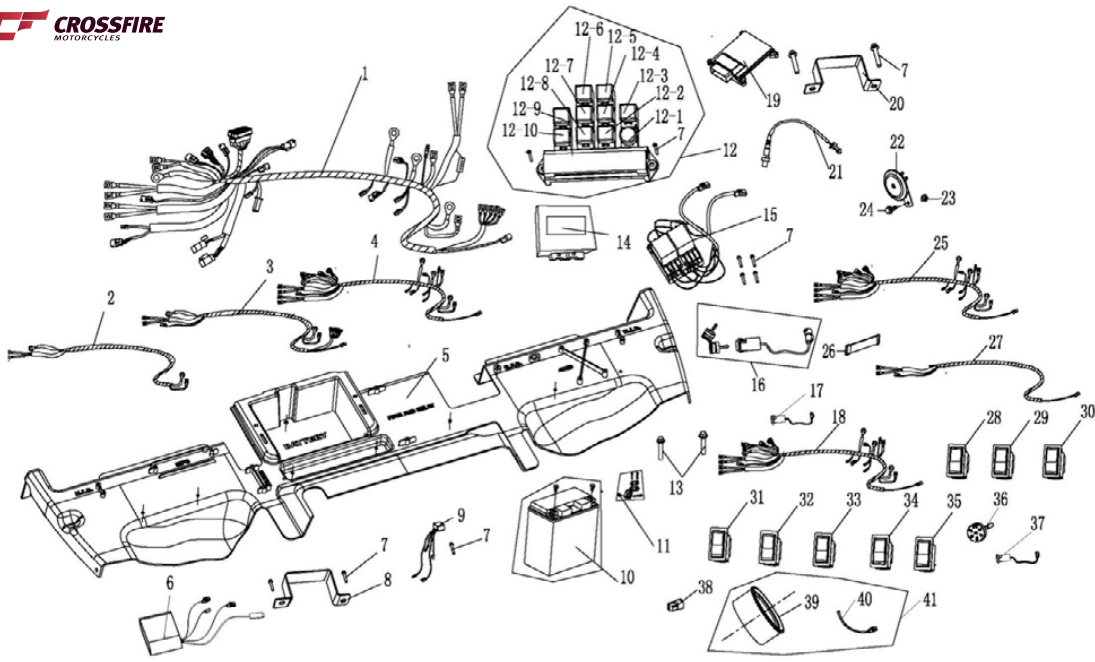
ELECTRICAL SYSTEM

CROSSFIRE
MOTORCYCLES



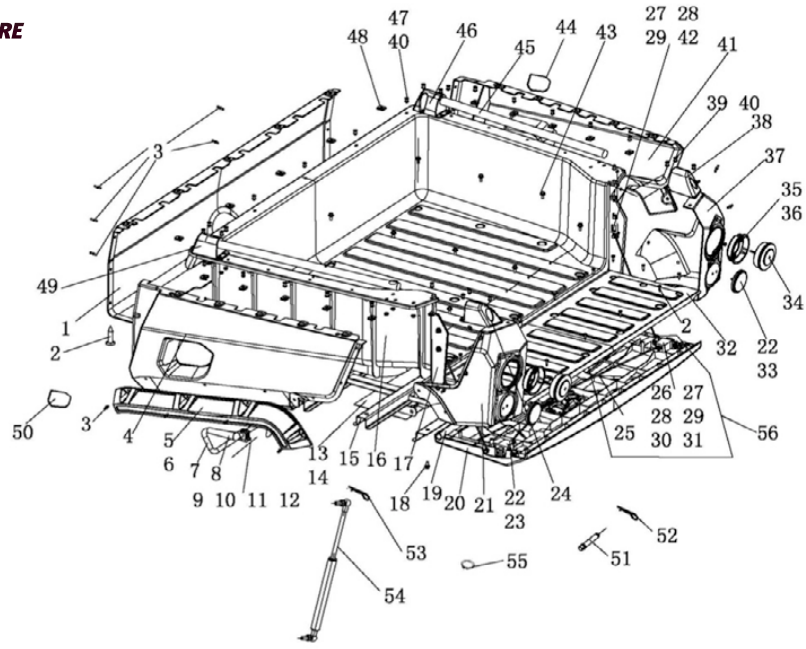
CODE	PART CODE	DESCRIPTION (EN)	Q'TY
1	W1001010	MAIN CABLE	1
	W1001011	MAIN CABLE	1
2	W1001020	WIRE, STARTING MOTOR	1
	W1001021	WIRE, STARTING MOTOR	1
3	W1001030	EARTH WIRE(L)	1
4	W1001040	EARTH WIRE(S)	1
5	W1011020	ELECTRICAL FIX BOARD	1
6	A1006030	MP3 PLAYER	1
7	GB/T 845 ST4.2×20	TAPPING SCREW(ST4.2×20)	13
8	W1006020	HOOP	1
9	W1011010	WINCH RELAY	1
10	A1002010	BATTERY	1
11	A1002040	BATTERY,CLAMP	2
12	W1015010	FUSE BOX	1
12-1	91501012	ORGAN - FLASH	1
12-2	Q0500060	sSTARTER ASSISTANT RELAY	1
12-3	Q0500060	BUGLE RELAY	1
12-4	Q0500060	STARTER ASSISTANT RELAY	1
12-5	Q0500060	SPOT LIGHT RELAY	1
12-6	Q0500060	WIND RELAY	1
12-7	Q0500060	LIGHTING RELAY	1
12-8	Q0500060	PUMP RELAY	1
12-9	Q0500060	EPS RELAY	1
12-10	Q0500060	FAN RELAY	1
13	GB/T 5787 M6×25	BOLT,FLANGE (M6×25)	2
14	O1011090	EPS CONTROLLER	1

ELECTRICAL SYSTEM



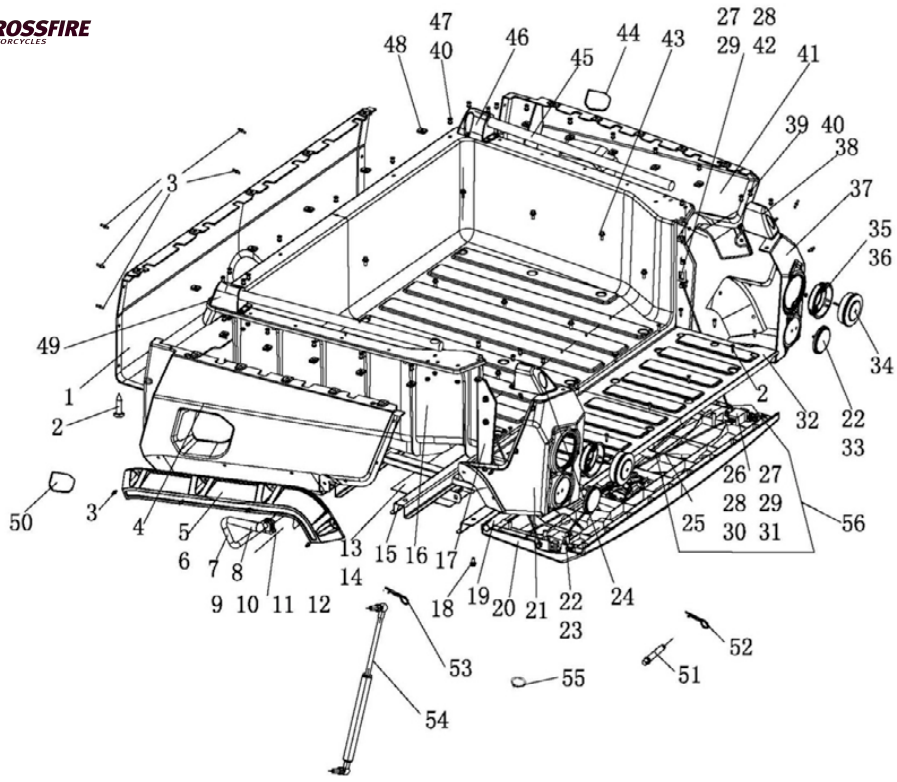
CODE	PART CODE	DESCRIPTION (EN)	Q'TY
15	M0501028	CONTROLLER, 2WD & 4WD	1
16	A1005050	IGNITION SWITCH	1
17	A1014010	CIGARETTE LIGHT	1
18	F1001050	ENGINE CABLE	1
19	F1012020	ECU CONTROLLER	1
20	W0102050	HOOP, ECU CONTROLLER	1
21	F1012030	OXYGEN SENSOR	1
22	A1007010	HORN	1
23	GB/T 6177.1 M8	NUT(M8)	1
24	GB/T 5787 M8×20	BOLT(M8×20)	1
25	W1001060	GARGO BOX CABLE	1
26	W1002040	BAND,BATTERY	1
27	W1013030	METER CABLE	1
28	Q0700042	HORN SWITCH	1
29	Q0700030	2WD & 4WD SWITCH	1
30	Q0700024	HEADLIGHT SWITCH	1
31	Q0700025	DIPPED HEADLIGHT/HIGH BEAM SWITCH	1
32	Q0700022	SWITCH, TURN LIGHT	1
33	A1010030	WINCH SWITCH	1
34	Q0700026	WARNING SWITCH	1
35	Q0700023	WIPER SWITCH	1
36	A1006060	MP3 SWITCH	1
37	H1001050	POWER OUTPUT	1
38	A1011120	SEVERANCE DIODE	1
39	W1013031	METER	1
40	K1001070	SWITCH OF METER ADJUST	1
41	W1013010	METER ASSY	1

CARGO BOX ASSY



CODE	PART CODE	DESCRIPTION (EN)	Q'TY
1	W1216010	DECORATING COVER - CARGO BOX	1
2	GB/T 845 ST5.2×20	TAPPING SCREW(ST5.2×20)	22
3	9305-080200	EXPANSION SCREW(M8×20)	22
4	W1216020	LEFTWARD COVER - CARGO BOX	1
5	W1208010	FENDER - CARGO BOX (L)	1
6	W1208020	FENDER - CARGO BOX (R)	1
7	W1216040	TIPPING ROCKER	1
8	W1216050	ROCKER COVER, TIPPING	2
9	W1216060	POTHOOK SEAT	8
10	W1216070	TORSION SPRING (BIG)	1
11	GB/T 5787 M8×45	BOLT,FLANGE (M8×45)	4
12	GB/T 6187.1 M8	LOCKNUT - FLANGE(M8)	4
13	W1216080	HEAT INSULATION BOARD	1
14	GB/T867-86-5×20	RIVET(5×20)	8
15	W1216090	CARGO BOX FRAMRE	1
16	W1216100	DECORATING COVER, CARGO BOX	1
17	W1216110	HALF DOOR FRAMRE	1
18	GB/T 5787 M8×12	BOLT,FLANGE (M8×12)	2
19	W1216120	ROTATE PIN PIPE	1
20	W1216130	BOARD - CARGO BOX DOOR	1
21	W1216210	REAR CORNER COVER,CARGO BOX (R)	1
22	W1216430	HANDLE - CARGO BOX DOOR	1
23	GB/T 6187.1 M6	LOCKNUT - FLANGE(M6)	4
24	W1216250	REAR HEIGHTEN WASHER(R)	1
25	W1216384	TIE ROD,HALF DOOR	2
26	W1216383	LOCK, GARGO BOX(L)	1
27	GB/T 5787 M8×20	BOLT,FLANGE (M8×20)	4
28	W1216390	PIN	4

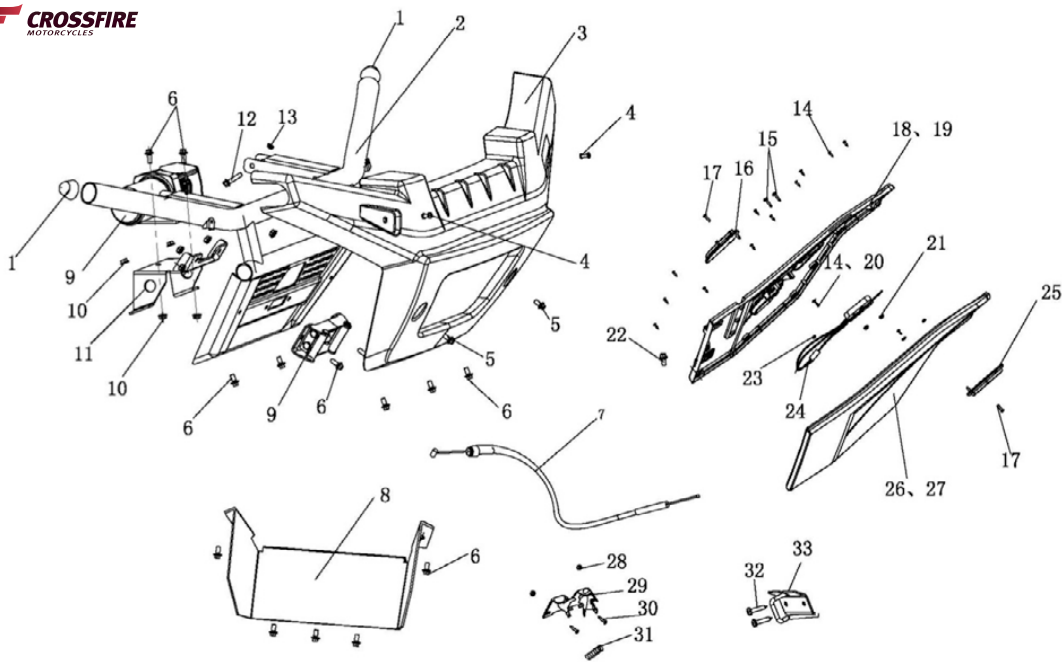
CARGO BOX ASSY



CODE	PART CODE	DESCRIPTION (EN)	Q'TY
29	GB/T 6187.1 M8	NUT - FLANGE(M8)	8
30	W1216180	CABLE,CARGO BOX	2
31	W1216382	LOCK, GARGO BOX(R)	1
32	W1216190	DOOR BOARD - CARGO BOX	1
33	W1008040	REAR REFLECTOR	2
34	W1008050	TAILLIGHT	2
35	W1008060	TAILLIGHT SEAT	2
36	GB/T 6187.1 M5	NUT - FLANGE(M5)	6
37	W1216200	REAR CORNER COVER,CARGO BOX (L)	1
38	W1216240	REAR HEIGHTEN WASHER(L)	1
39	GB/T 819.1 M6×30	SCREW (M6×30)	14
40	9011-060007	RUBBER WASHER(Φ6)	29
41	W1216030	STARBOARD COVER - CARGO BOX	1
42	W1216381	BUCKLE - PLATE	2
43	GB/T 5787 M8×20	BOLT,FLANGE (M8×20)	16
44	W1216420	CARGO BOX HANDLE RUBBER WASHER (R)	1
45	W1216270	PROTECT COTE TUBE	2
46	W1216220	FRONT HEIGHTEN WASHER(L)	1
47	GB/T 819.1 M6×20	SCREW (M6×20)	15
48	9401-060003	NUT,CLIP (M6)	15
49	W1216230	FRONT HEIGHTEN WASHER(R)	1
50	W1216410	CARGO BOX HANDLE RUBBER WASHER (L)	1
51	W1216310	PIN, CARGO BOX	2
52	W1216320	"R" PIN(φ4)	2
53	W1216300	"R" PIN(φ3)	2
54	W1216290	GAS SRPING, CARGO BOX	1
55	GB/T 894.1 8	CIRCLIP(φ8)	4
56	W1216380	LOCK, GARGO BOX ASSY	2

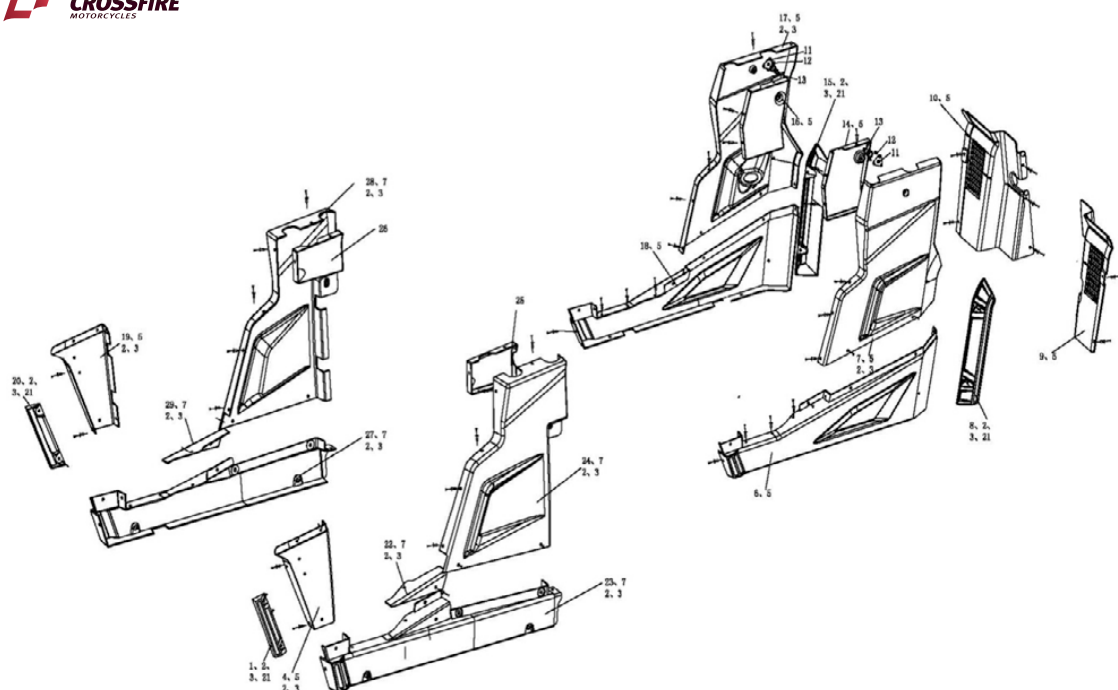
BUMPER - HALF DOOR

CROSSFIRE
MOTORCYCLES



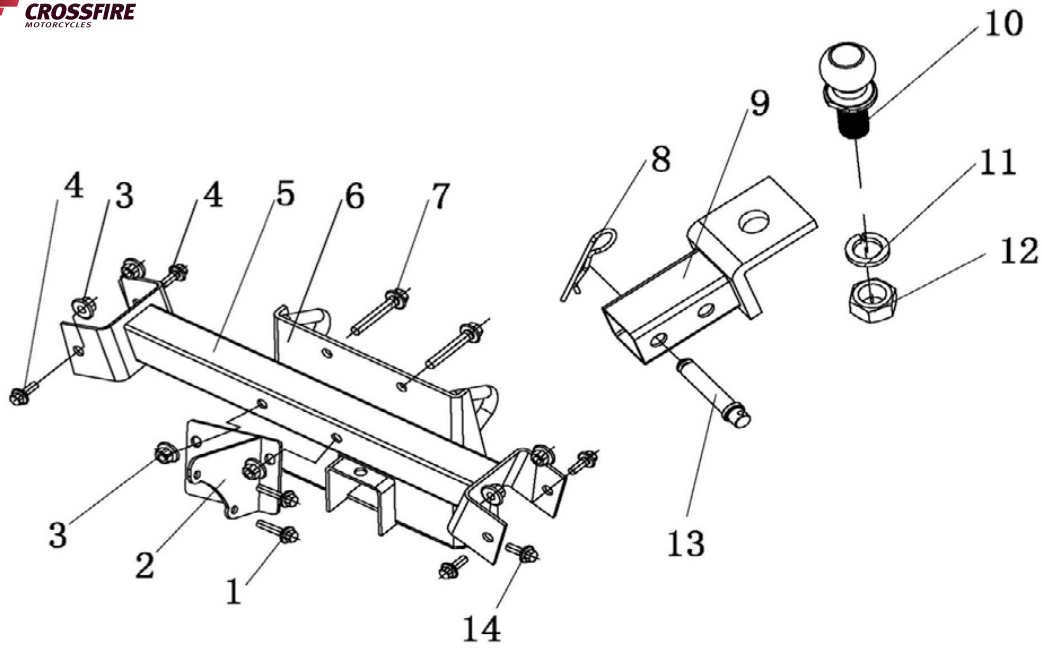
CODE	PART CODE	DESCRIPTION (EN)	Q'TY
1	A1203030	COBBRA - BUMPER	2
2	W1203010	BUMPER	1
3	W1203020	DECORATE COVER, FRONT BUMPER	1
4	GB/T 819.1 M6×20	SCREW (M6×20)	2
5	GB/T 5787 M6×20	BOLT,FLANGE (M6×20)	8
6	GB/T 5787 M8×16	BOLT,FLANGE (M8×16)	12
7	W1101110	CABLE,FRONT COVER	1
8	W0203010	RADIATOR COVER, VENT GRILLE	1
9	O1010010	WINCH	1
10	GB/T 6187.1 M8	LOCKNUT - FLANGE(M8)	8
11	W1010020	WINCH HOLDER	1
12	GB/T 5787 M10×1.25×70	BOLT,FLANGE (M10×1.25×70)	2
13	GB/T 6187.1 M10×1.25	LOCKNUT - FLANGE (M10×1.25)	2
14	GB/T 845 ST4.2×20	TAPPING SCREW(ST 4.2×20)	28
15	GB/T 819.1 M6×25	SCREW (M6×25)	4
16	W1217010	HANDLE, HALF DOOR(L)	2
17	GB/T 823 M4.2×16	SCREW(M4.2×16)	4
18	W1217030	INNER HALF DOOR (L)	1
19	W1217040	INNER HALF DOOR (R)	1
20	GB/T 95 5	WASHER(φ5×φ10×1)	2
21	GB/T 6187.1 M6	BOLT,FLANGE(M6)	4
22	GB/T 5787 M6×16	BOLT,FLANGE (M6×16)	8
23	GB/T 6187.1 M5	BOLT,FLANGE(M5)	4
24	W1217070	CABLE,HALF DOOR	2
25	W1217020	HANDLE, HALF DOOR(R)	2
26	W1217050	OUTER HALF DOOR (L)	1
27	W1217060	OUTER HALF DOOR (R)	1
28	GB/T 819.1 M6×20	SCREW (M6×20)	2
29	W1101070	LOCK,FRONT COVER BOARD	1
30	GB/T 6187.1 M6	LOCKNUT - FLANGE(M6)	2
31	W1101120	EXTENSION SPRING	1
32	GB/T 845 ST4.2×20	TAPPING SCREW(ST4.2×20)	2
33	W1101030	LOCK,FRONT COVER BOARD	1

PLASTIC COVER



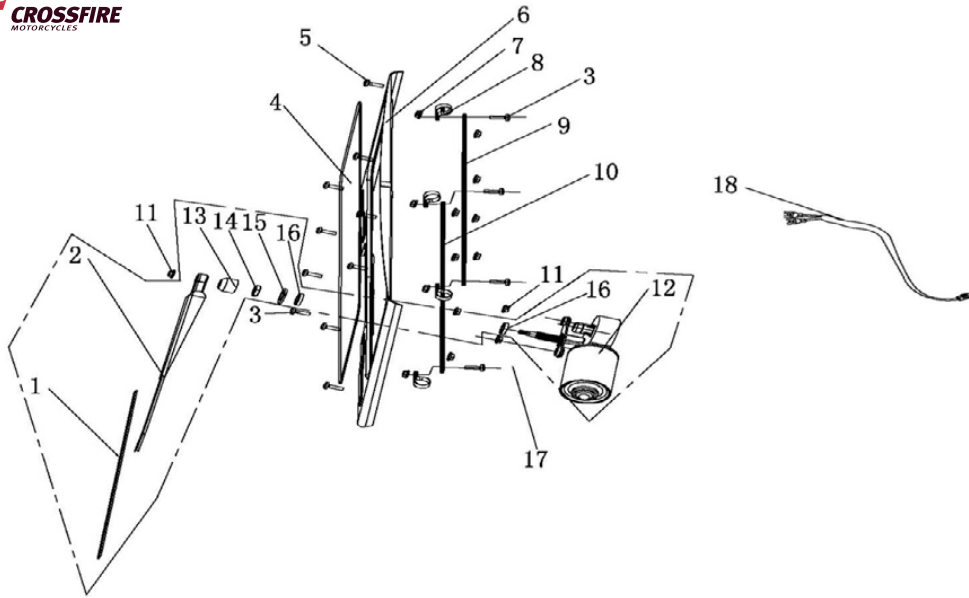
CODE	PART CODE	DESCRIPTION (EN)	Q'TY
1	W1103050	COVER, RIGHT LINE.FR (S)	1
2	GB/T 819.1 M6×20	SCREW(M6×20)	20
3	GB/T 6177.1 M6	NUT(M6)	20
4	W1101090	LEFT UNDERSIDE BOARD, ENGINE COVER	1
5	9305-080200	EXPANSION SCREW(M8×20)	38
6	W1109010	REAR BOTTOM BOARD(L)	1
7	W1109030	REAR LEFT BOARD	1
8	W1208030	COVER, LEFT LINE.RR (S)	1
9	W1208050	REAR LEFT FENDER	1
10	W1208060	REAR RIGHT FENDER	1
11	W1112040	SUPPORT,PIN	2
12	GB/T 845 ST4.2×20	SCREW,TAP (ST4.2×20)	6
13	W1112030	PIN	2
14	W1109180	REAR LEFT BOARD DECORATE COVER	1
15	W1208040	COVER, RIGHT LINE.FR (S)	1
16	W1109190	REAR RIGHT BOARD DECORATE COVER	1
17	W1109040	REAR RIGHT BOARD	1
18	W1109020	REAR BOTTOM BOARD(R)	1
19	W1101100	RIGHT UNDERSIDE BOARD, FRONT COVER	1
20	W1103060	COVER, RIGHT LINE.FR (S)	1
21	9011-060007	RUBBER WASHER(φ6)	10
22	W1214010	BOTTOM LEFT TRIANGLE(F)	1
23	W1109050	FRONT BOTTOM BOARD(L)	1
24	W1109070	MIDDLE LEFT BOARD	1
25	W1109160	FRONT LEFT BOARD DECORATE COVER	1
26	W1109170	FRONT RIGHT BOARD DECORATE COVER	1
27	W1109060	FRONT BOTTOM BOARD(R)	1
28	W1109080	MIDDLE RIGHT BOARD	1
29	W1214020	BOTTOM RIGHT TRIANGLE(F)	1

HITCH BALL ASSY



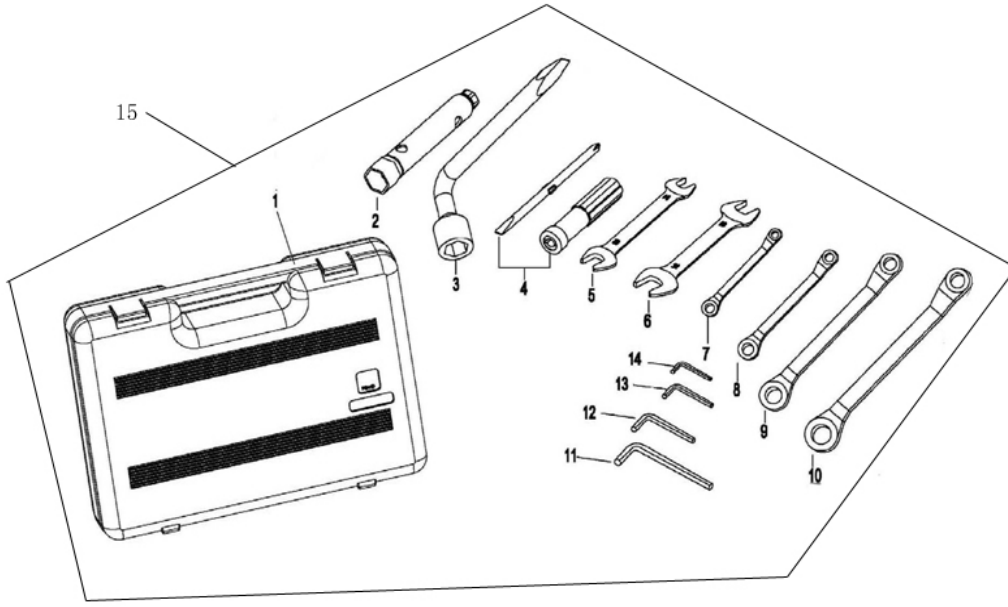
CODE	PART CODE	DESCRIPTION (EN)	Q'TY
1	GB/T 70.1 M8×40	BOLT (M8×40)	2
2	W0402040	HOLDER, REAR AXLE	1
3	GB/T 6187.1 M8	LOCKNUT - FLANGE(M8)	6
4	GB/T 5787 M8×16	BOLT,FLANGE (M8×16)	4
5	W1219020	SUPPORT,HITCH BALL	1
6	W1219010	TOWING BRACKET ASSY	1
7	GB/T 5787 M8×60	BOLT,FLANGE (M8×60)	2
8	A1219010	"R" PIN	1
9	A1219060	EXTENSION BRACKET ASSY	1
10	A1219030	HITCH BALL(3500LB 1 7/8")	1
11	GB/T 93 25	SPRING WASHER (φ25)	1
12	GB/T 6170 M25	BOLT(M25)	1
13	A1219020	SAFETY BOLT	1
14	GB/T 5787 M10×20	BOLT,FLANGE (M10×20)	2

WINDSHIELD ASSY



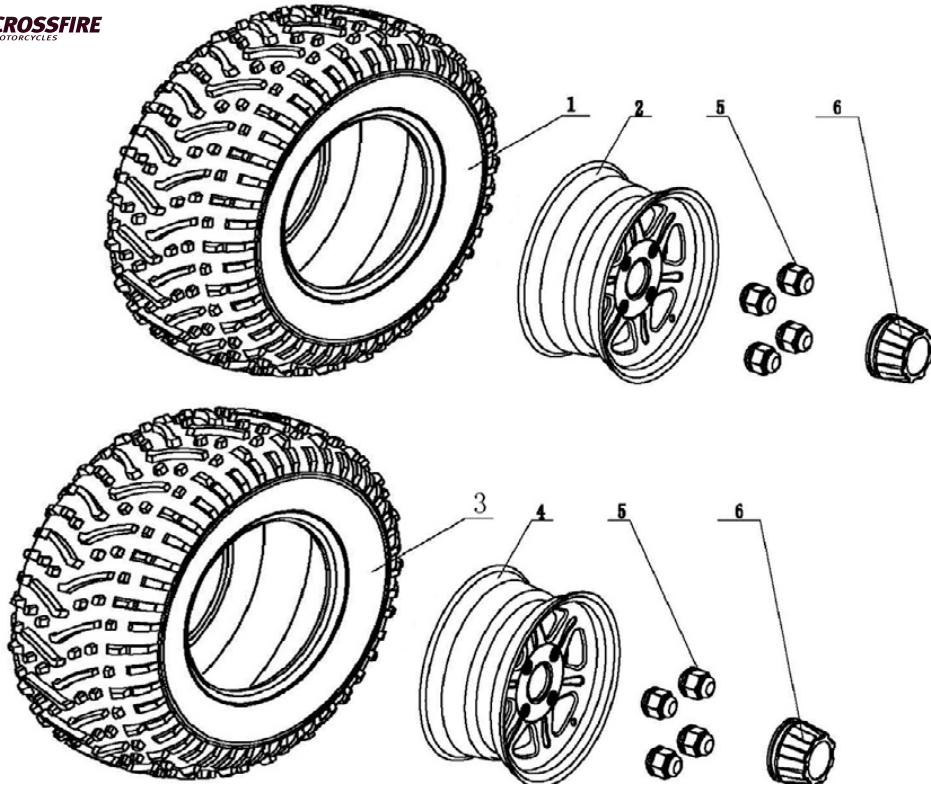
CODE	PART CODE	DESCRIPTION (EN)	Q'TY
1	W1302090	WIPER BLADE	1
2	W1302080	WIPER ARM	1
3	GB/T 819.1 M6×25	BOLT(M6×20)	6
4	W1302030	WINDSHIELD SCALEBOARD	1
5	GB/T 819.1 M6×16	BOLT(M6×16)	16
6	W1302010	WINDSHIELD	1
7	GB/T 923 M6	CAP NUT(M6)	20
8	W1202030	HOOP(φ45)	4
9	W1302060	WINDSHIELD IMMOBILITY PLANK (TOP)	1
10	W1302050	WINDSHIELD IMMOBILITY PLANK (BELOW)	1
11	GB/T 6187.1 M6	NUT - FLANGE(M6)	3
12	W1302070	WIPER	1
13	A1302090	DUST COVER,RUBBER	1
14	GB/T 6174 M12	NUT(M12)	1
15	GB/T 96 12	WASHER (Φ12)	2
16	9015-060160	RUBBER WASHER	2
17	W1312100	WIPER ASSY	1
18	W1001070	WIRE,WIPER	1

TOOLS



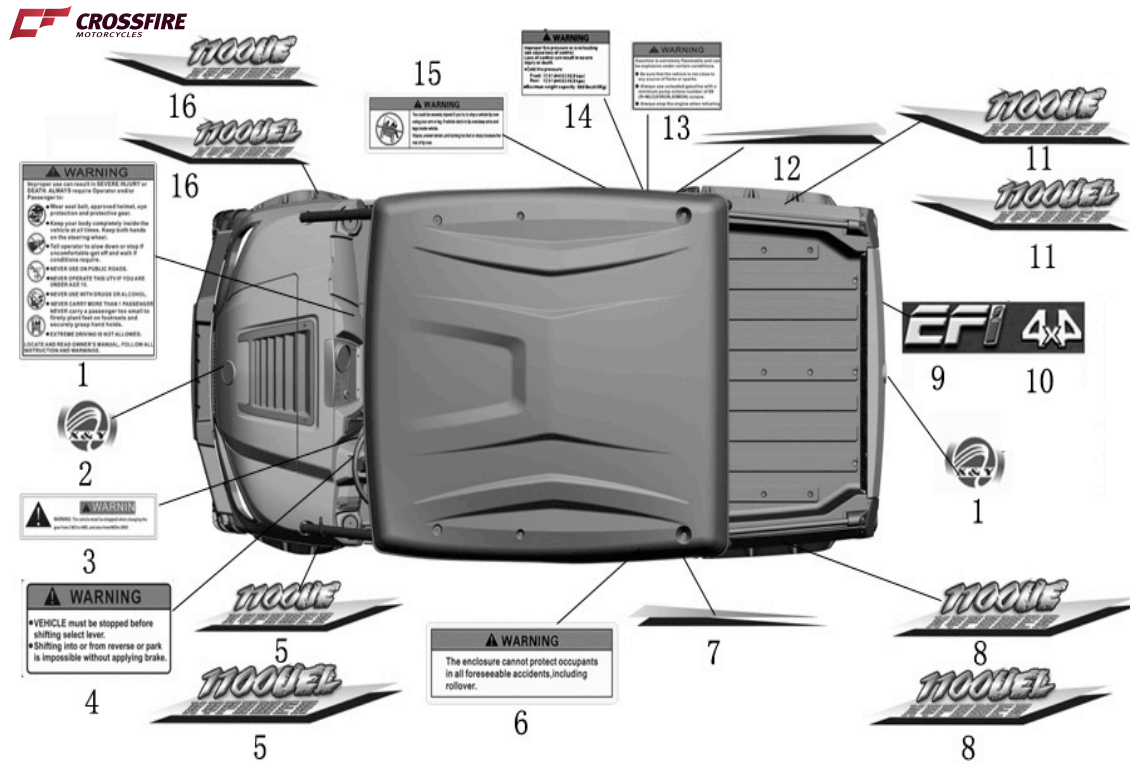
CODE	PART CODE	DESCRIPTION (EN)	Q'TY
1	Z0999094	TOOL BOX	1
2	U0700051	WRENCH,PLUG	1
3	U0700049	WRENCH PLUG - TIRE	1
4	U0800017	SCREWDRIVER	1
5	U0102006	SPANNER (12-14)	1
6	U0102007	SPANNER (13-15)	1
7	U0101001	SPANNER (5.5-7)	1
8	U0101003	SPANNER (8-10)	1
9	U0101009	SPANNER (14-17)	1
10	U0101011	SPANNER (17-19)	1
11	U0601006	INNER HEX SPANNER (10mm)	1
12	U0601005	INNER HEX SPANNER (8mm)	1
13	U0601004	INNER HEX SPANNER (6mm)	1
14	U0601003	INNER HEX SPANNER (5mm)	1
15	A1407010	TOOL BOX ASSM	1

TYRE ASSY



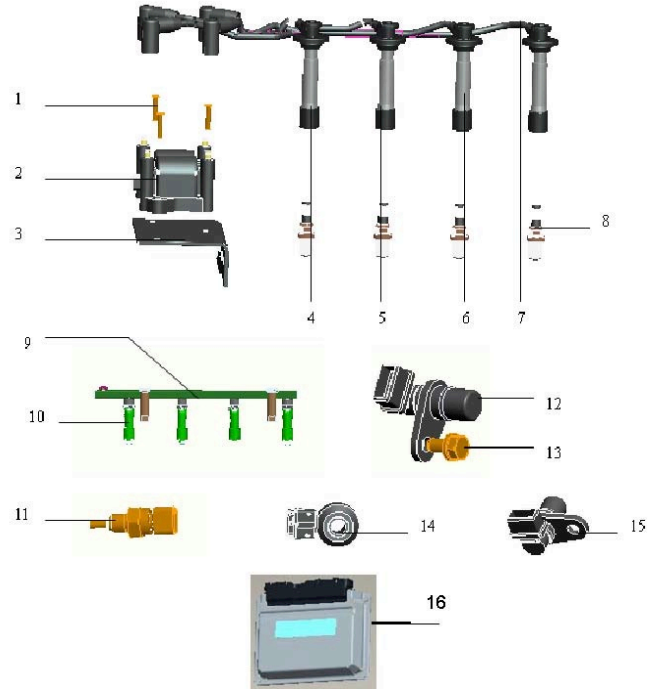
CODE	PART CODE	DESCRIPTION (EN)	Q'TY
1	W0601010	FRONT TIRE (27×9-14)	2
	I0601010	FRONT TIRE (26×9-14)	2
2	W0602010	RIM,FR.WHEEL(14×6.0)	2
3	W0601020	REAR TIRE (27×11-14)	2
	I0601020	REAR TIRE (26×11-14)	2
4	W0602020	RIM,RR.WHEEL(14×8.0)	2
5	W0601040	NUT , WHEEL(M12×1.25)	16
6	W0602060	DUST SEAL	4

LABELS



CODE	PART CODE	DESCRIPTION (EN)	Q'TY
1	W1402040	LABEL,SAFETY MESSAGES	1
2	H1402160	Marks - Head Cover	2
3	A1402210	WARNING LABEL,FROM 4WD TO 2WD!	1
4	A1402150	LABEL,GEARSHIFT	1
5	W1402050	Label,Front Engine Cover(R)	1
	W1402051	Label,Front Engine Cover(R)	1
6	A1402010	WARNING LABEL(L)	1
7	L1402090	Nearside LABEL	1
8	W1402020	Label,Store Box(L)	1
	W1402021	Label,Store Box(L)	1
9	W1402010	Marks - Head Cover	1
10	H1402120	MARKS - DRIVE FORMAT	1
11	W1402030	Label,Store Box(R)	1
	W1402031	Label,Store Box(R)	1
12	L1402010	Starboard LABEL	1
13	A1402220	PRTROL WARNING STICKY	1
14	W1402070	LABEL,TYRE PRESSURE	1
15	A1402020	WARNING LABEL(R)	1
16	W1402060	Label,Front Engine Cover(R)	1
	W1402061	Label,Front Engine Cover(R)	1

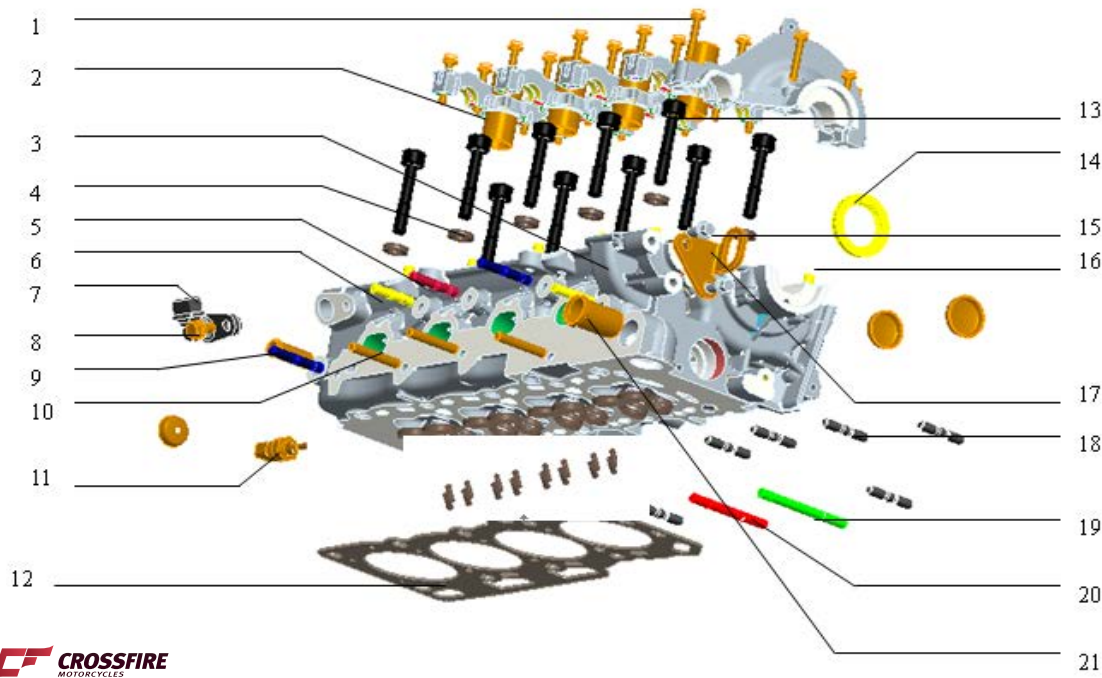
ELECTRONIC FUEL INJECTION AND IGNITION SYSTEM



CROSSFIRE
MOTORCYCLES

CODE	PART CODE	DESCRIPTION (EN)	Q'TY
1	Q2320525	Screw	3
2	S11-3705110JA	Ignition Coil Assy.	1
3	S11-3705001CA	Bracket - Ignition Coil	1
4	S11-3707050BA	Spark Plug Cable Assy.-4th Cylinder	1
5	S11-3707040BA	Spark Plug Cable Assy.-3rd Cylinder	1
6	S11-3707030BA	Spark Plug Cable Assy.-2nd Cylinder	1
7	S11-3707020BA	Spark Plug Cable Assy.-1st Cylinder	1
8	S11-3707100	Spark Plug Assy.	4
9	S11-1121010JA	Fuel Rail with Injector Assy.	1
10	S11-1121020JA	Injector	4
11	S11-3808013	Water Temperature Sensor	1
12	S11-1003069	Camshaft Position Sensor	1
13	Q1840816	Bolt	1
14	372-1002060	Knock Sensor	1
15	S11-1005117	crankcase Position Sensor	1
16	S11-3605010JA	ECU	1

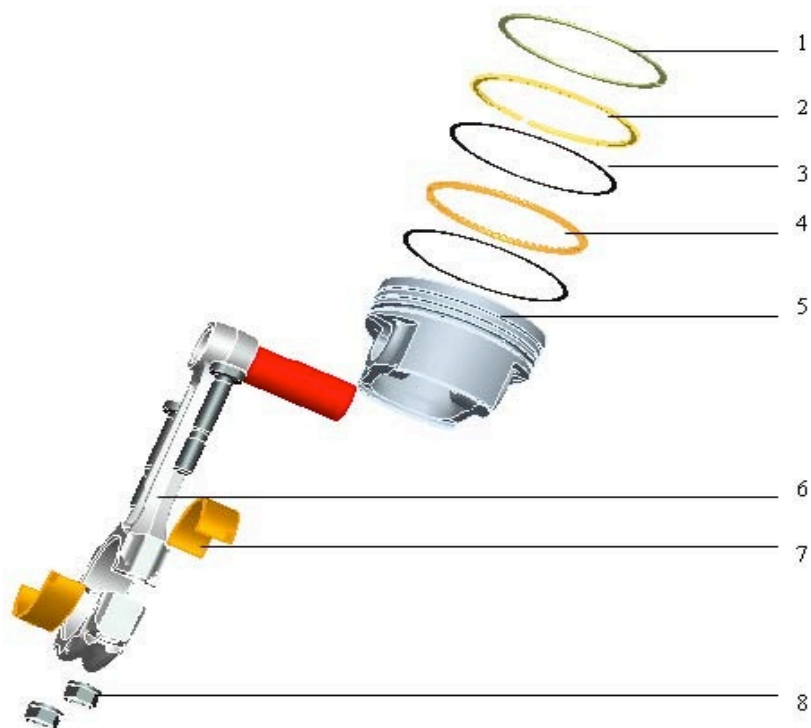
CYLINDER HEAD



CROSSFIRE
MOTORCYCLES

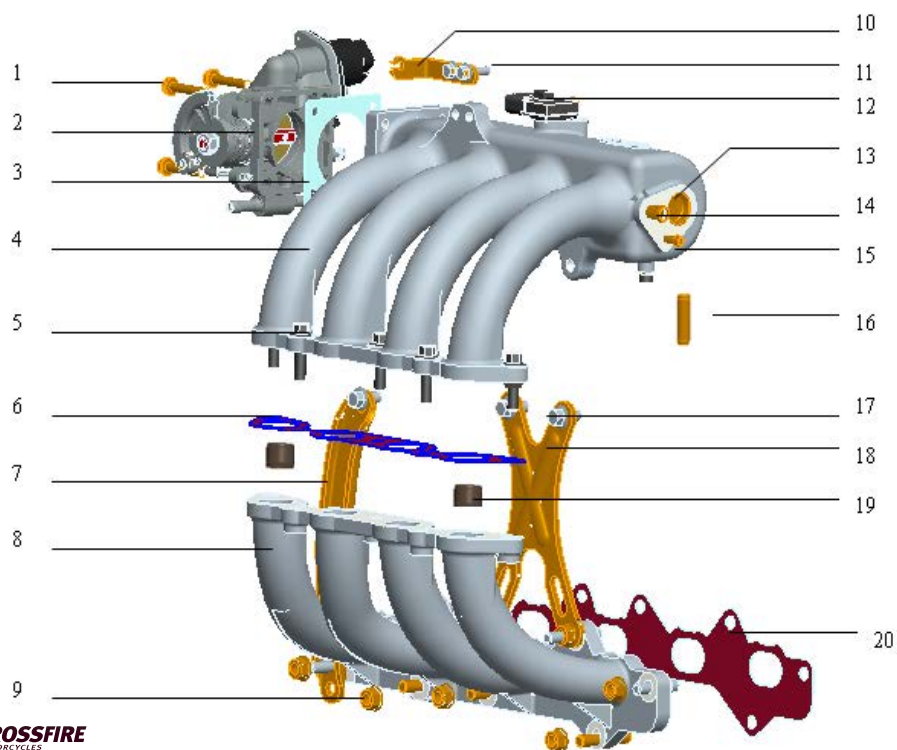
CODE	PART CODE	DESCRIPTION (EN)	Q'TY
1	Q1400638	Bolt - Washer	21
2	372-1003074	Spark Plug Sleeve	4
3	472-1003015	Cylinder Head	1
4	372-1003052	Washer-Cylinder Head	10
5	Q1200828F3	Stud	1
6	Q1200835F3	Stud	2
7	S11-1003069	Camshaft Position Sensor	1
8	Q1400816	Hexagon Flange Bolt	1
9	Q1200840F3	Stud	2
10	480-1008022	Stud	3
11	S11-3808013	Water Temperature Sensor	1
12	472-1003040AB	Gasket-Cylinder Head	1
13	372-1003051	Bolt-Cylinder Head	10
14	372-1003066BA	Oil Seal-Camshaft	1
15	Q1840816	Bolt	2
16	372-1003063	Pin - Camshaft Tubular	10
16	372-1003202RA	Front Lifting Hook	1
17	372-1008052	Stud	6
18	Q1200875F3	Stud	1
19	372-1008051	Stud	1
20	372-1008017	Water Inlet Pipe	1

PISTON AND CONNECTING ROD DEVICE



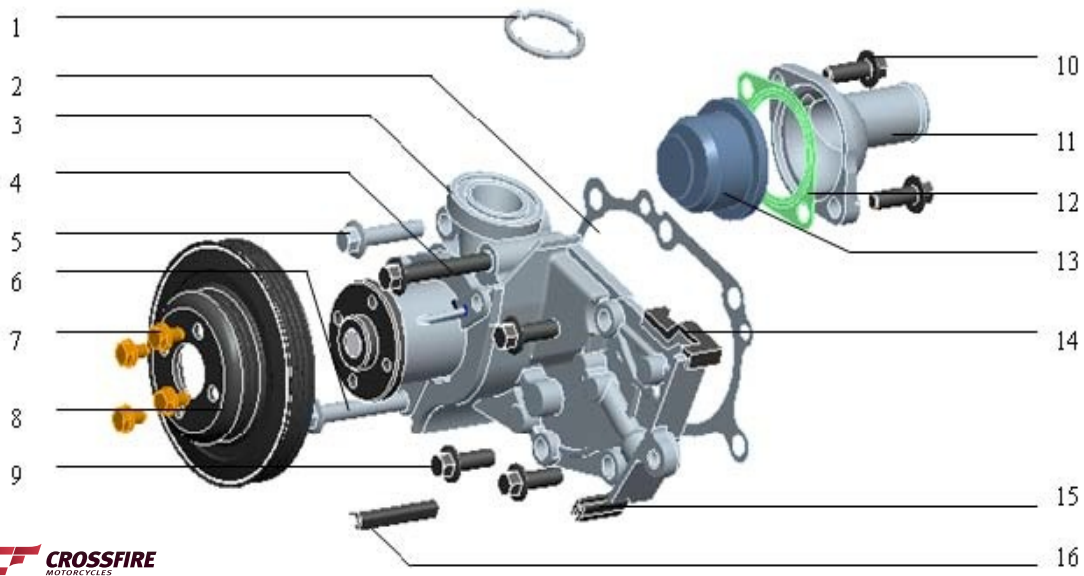
CODE	PART CODE	DESCRIPTION (EN)	Q'TY
1	372-1004032	Piston Ring I	4
2	372-1004033	Piston Ring II	4
3	372-1004041	Combined Oil Ring	8
4	372-1004042	Compression Ring	4
5	372-1004021AC	Piston	4
6	372-1004110	Connecting Rod Assy.	4
7	372-1004116	Bearing Bush-Connecting Rod	8
8	372-1004114	Nut-Connecting Rod	8

INTAKE SYSTEM



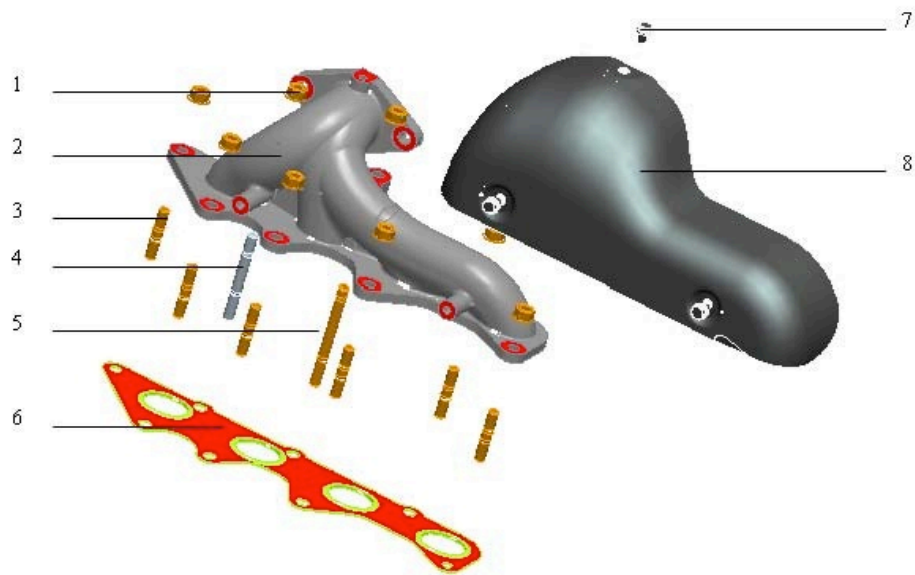
CODE	PART CODE	DESCRIPTION (EN)	Q'TY
1	Q1400638	Bolt Washer	4
2	S11-1129010JA	Throttle	1
3	S11-1129021JA	Gasket-Throttle	1
4	472-1008011CA	Upper Intake Manifold	1
5	Q1840830	Bolt, Hexagon Lange	5
6	472-1008012	Gasket-Intake Manifold	1
7	472-1008041	Intake Manifold Front Bracket	1
8	472-1008013	Intake manifold lower body	1
9	Q33008	Hexagon Flange Nut	8
10	372-1008043	Bracket-Throttle Cable	1
11	Q1840620	Bolt - Hexagon Flange	2
12	S11-1109411	Air Temperature - Pressure Sensor	1
13	Q72224	Cap	1
14	372-1008016	Vacuum Tube Joint	1
15	472-1008019	PCV Joint	1
16	372-1008014BA	Crankcase Ventilation Joint	1
17	Q1840816	Bolt	3
18	372-1008042	back Bracket - Intake Manifold	1
19	372-1002044	Pin - Cylinder Head	2
20	472-1008021	Gasket-Intake Manifold	1

COOLING SYSTEM



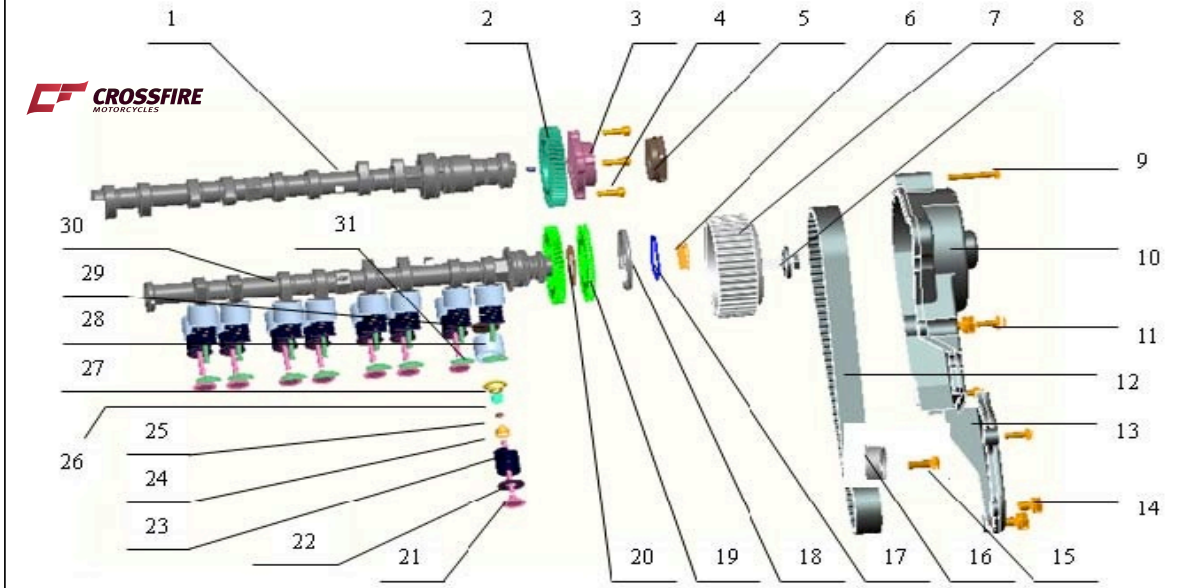
CODE	PART CODE	DESCRIPTION (EN)	Q'TY
1	372-1307015	O Ring	1
2	372-1307041	Gasket- Water Pump	1
3	472-1307010	Water Pump	1
4	Q1840855	Hexagon Flange Bolt	1
5	Q1840840	Hexagon Flange Bolt	1
6	Q1840865	Hexagon Flange Bolt	1
7	Q1400612	Bolt	4
8	372-1307014	Water Pump Pulley	1
9	Q1840825	Bolt	3
10	Q1840825	Bolt	2
11	372-1306001	Thermostat Housing	1
12	372-1306018	Seat Gasket - Thermostat	1
13	372-1306020	Thermostat Assy.	1
14	372-1307012	Seal Strip 1#	1
15	372-1307019	Seal Strip 3#	1
16	372-1307018	Seal Strip 2#	1

EXHAUST MANIFOLD



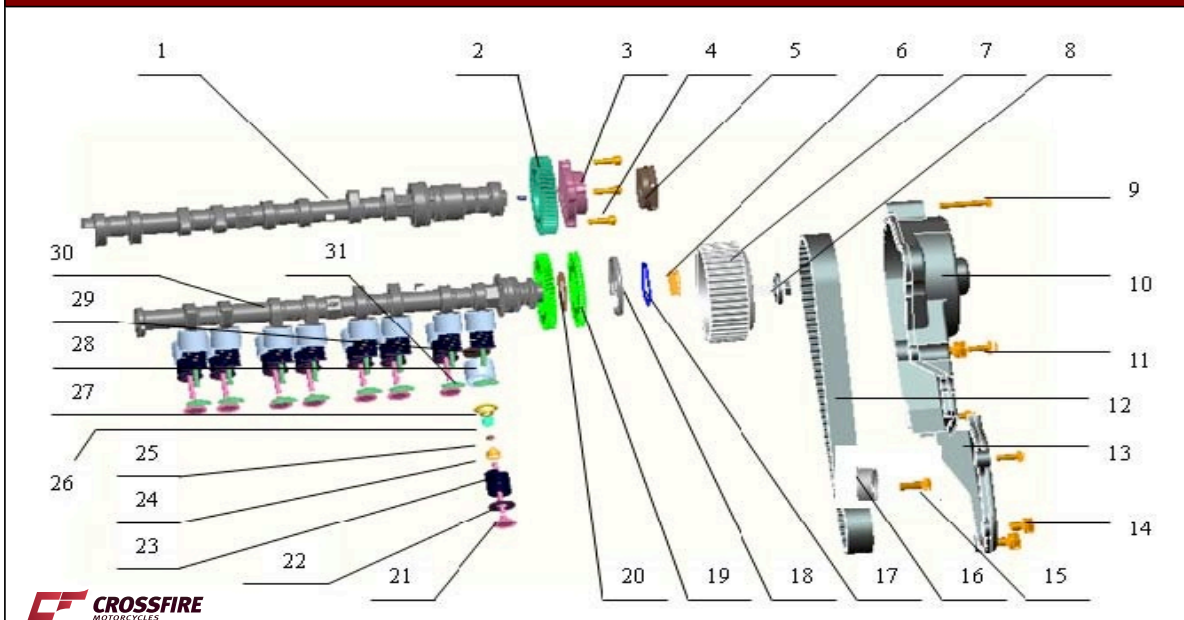
CODE	PART CODE	DESCRIPTION (EN)	Q'TY
1	Q33008	Hexagon Flange Nut	8
2	472-1008031	Exhaust Manifold Assy.	1
3	372-1008052	Stud	6
4	372-1008051	Stud	1
5	Q1200875F3	Stud	1
6	472-1008033	Gasket-Exhaust Manifold	1
7	Q1460612	Bolt	3
8	472-1008044	Heat Shield-Exhaust Manifold	1

VALVE MECHANISM



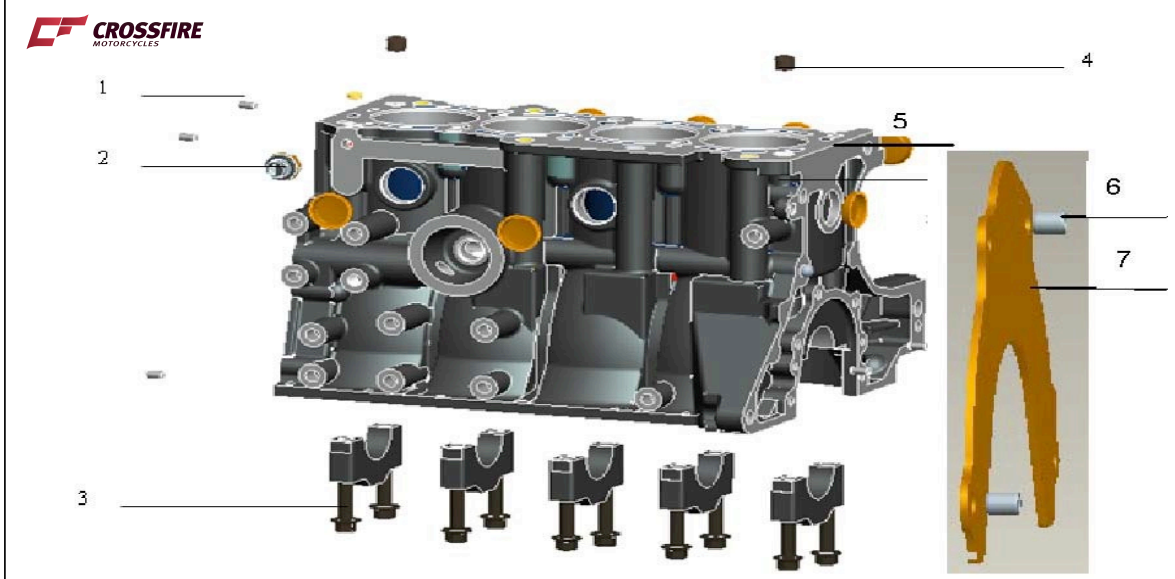
CODE	PART CODE	DESCRIPTION (EN)	Q'TY
1	472-1006060	Exhaust Camshaft Assy.	1
2	372-1006062	Exhaust Camshaft Gear	1
3	372-1006063	Connecting Flange	1
4	Q218B0620	Bolt	4
5	372-1006064	Lock Nut	1
6	372-1003067	Cap Plug	1
7	372-1006066	Camshaft Sprocket	1
8	372-1006071	Hexagon Flange Bolt	1
9	Q1460650	Bolt	1
10	472-1007041	Upper Timing Cover Assy.	1
11	Q1420625	Bolt	2
12	372-107081	Timing Belt	1
13	472-1007042	Bottom Timing Cover Assy.	1
14	Q1400616	Bolt	4
15	Q1401045	Bolt	1
16	372-1007030	Tension Pulley Assy.	1
17	Q43140	Baffle Ring- Intake Camshaft	1
18	372-1006032	Elastic Washer	1
19	372-1006040	Gear (Sub)-Intake Camshaft	1
20	372-1006031	Drive Ring	1
21	372-1007011	Intake Valve	8
22	372-1007016	Bottom Retainer-Valve Spring	16
23	372-1007013	Valve Spring	16
24	372-1007020	Oil Seal	16

VALVE MECHANISM



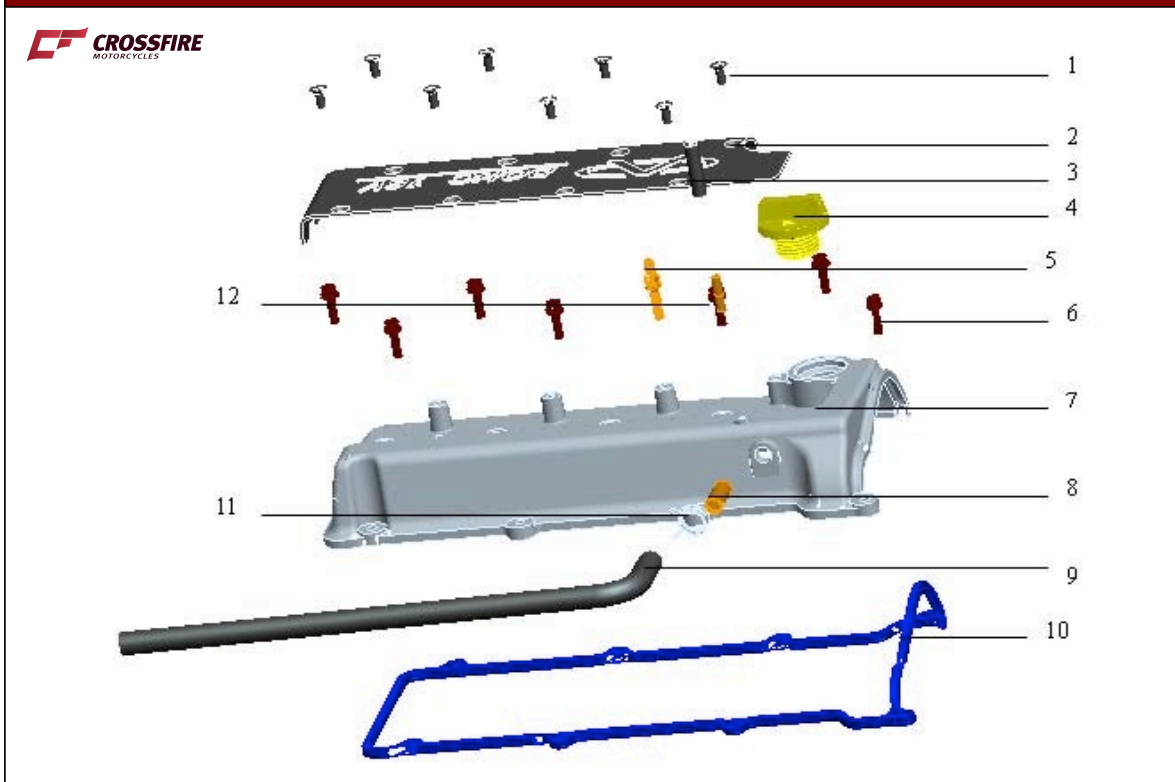
CODE	PART CODE	DESCRIPTION (EN)	Q'TY
25	372-1007019	Valve Lock	32
26	372-1007021	Sleeve	16
27	372-1007014BA	Top Retainer-Valve Spring	16
28	372-1007018	Tappet Valve	16
29	372-1007017	Adjusting gasket	16
30	472-1006020	Intake Camshaft Assy.	1
31	372-1007012	Exhaust Valve	8

CYLINDER BLOCK



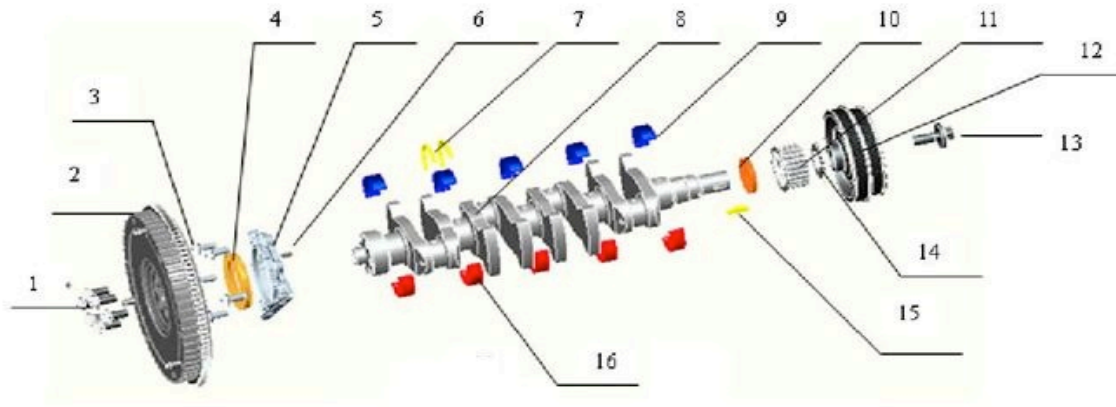
CODE	PART CODE	DESCRIPTION (EN)	Q'TY
1	372-1002037	Locating pin	6
2	372-1002070	Oil Pressure Switch	1
3	372-1002023	Bolt-Main Bearing Cap	10
4	372-1002044	Pin - Cylinder Head	2
5	472-1002010	Cylinder Block	1
6	372-1002044	Pin - Transmission	2
7	372-1002030	Closing-Plate Transmission Upper	1

CRANKCASE VENTILATION SYSTEM



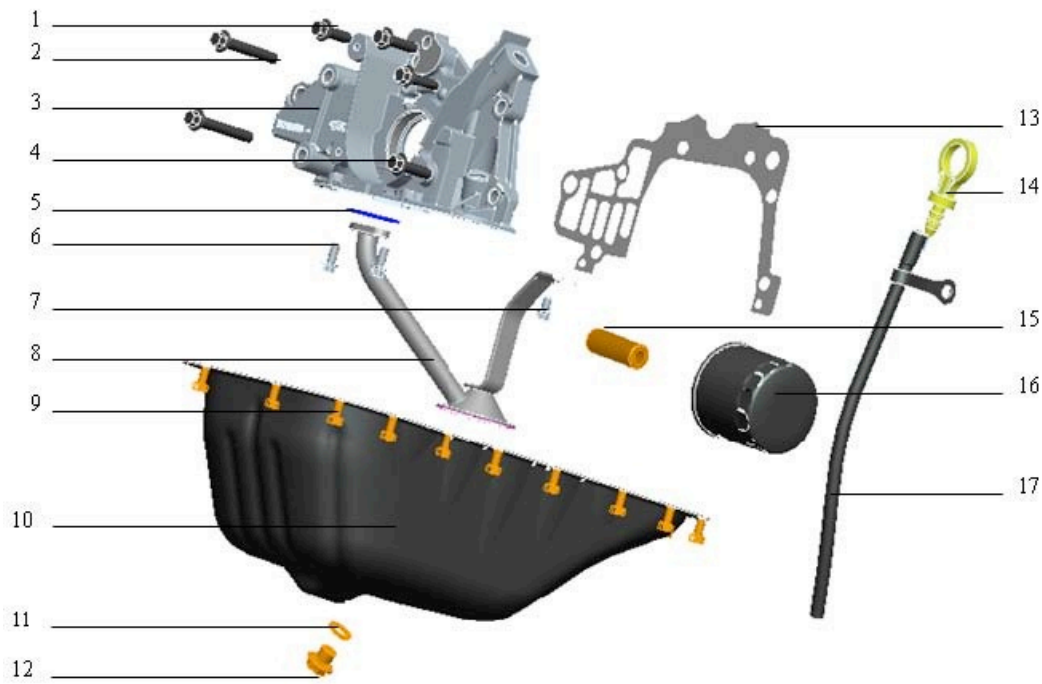
CODE	PART CODE	DESCRIPTION (EN)	Q'TY
1	FQ2540616F32E	Bolt	8
2	472-1003075	Spark Plug Cover Assy.	1
	W1113040	Spark Plug Cover Assy.	1
3	372-1014130CA	Crankcase Vent Hose 3#	1
4	372-1003090	Oil Filler Cap Assy.	1
5	372-1003038	Stud	1
6	Q1460625	Bolt	7
7	472FC-1003030	Valve Cover Assy.	1
8	372-1002046	Crankcase Vent Pipe	1
9	472-1014125	Crankcase Vent Pipe	1
10	472-1003036	Gasket-Valve Cover Assy.	1
11	Q673B24	Flexible Clamp	1
12	372-1003032	Idle Vent Pipe	1

CRANK MECHANISM



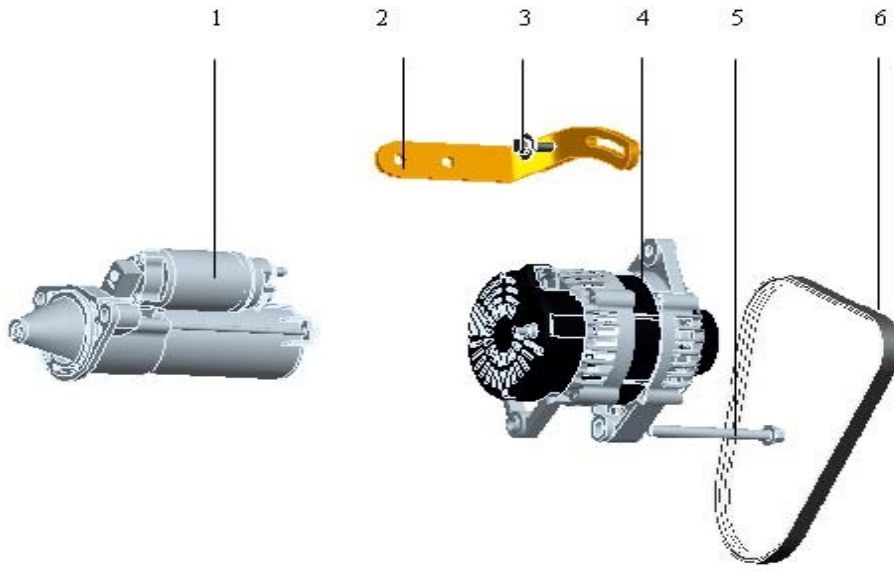
CODE	PART CODE	DESCRIPTION (EN)	Q'TY
1	372-1005054	Bolt	6
2	372-1005050BA	Flywheel Assy.	1
3	Q1840820	Hexagon Flange Bolt	5
4	372-1005030BA	Rear Oil Seal-Crankshaft	1
5	372-1005021	Rear oil Seal Bracket	1
6	372-1005036	PIN	1
7	372-1005016	Thrust Bearing	2
8	472-1005010	Crankshaft Assy.	1
9	372-1005013	Upper Bearing Bush	5
10	372-1005015BA	Front Oil Seal-Crankshaft	1
11	372-1005018	Timing Gear-Crankshaft	1
12	372-1005040	Torsional Vibration Damper	1
13	372-1005031	Bolt	1
14	372-1005017	Plate	1
15	372-1005032	Woodruff Key-Crankshaft	1
16	372-1005014	Lower Bearing Bush	5

LUBRICATING DEVICE



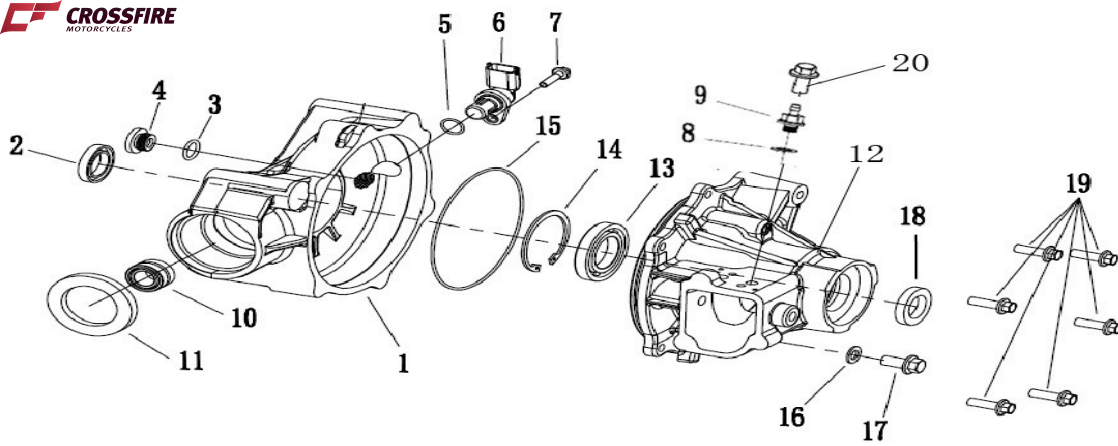
CODE	PART CODE	DESCRIPTION (EN)	Q'TY
1	Q1840825	Bolt	1
2	Q1840855	Hexagon Flange Bolt	2
3	372-1011030	Oil Pump	1
4	Q1840830	Hexagon Flange Bolt	3
5	372-1010017	Gasket-Oil Strainer	1
6	Q1840616	Hexagon Flange Bolt	2
7	Q1840616	Hexagon Flange Bolt	1
8	372-1010010	Oil Strainer Assy.	1
9	Q1420612	Bolt	19
10	472-1009010BA	Oil Pump	1
11	372-1009017	Gasket-Screw Plug	1
12	372-1009014	Screw Plug	1
13	372-1011021	Gasket-Oil Pump	1
14	472-1009120	Oil Dipstick	1
15	372-1012021	Connector - Oil Filter	1
16	372-1012010	Oil Filter Assy.	1
17	472-1009130	Tube-Oil Dipstick	1

ELECTRONIC SYSTEM AND ACCESSORIES



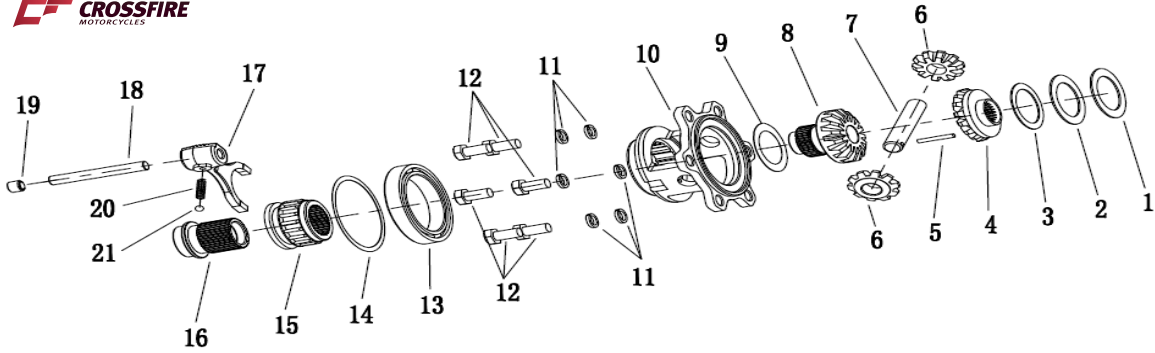
CODE	PART CODE	DESCRIPTION (EN)	Q'TY
1	S11-3708110GA	Starter	1
2	472-3701211	Adjusting Bracket- Generator	1
3	S11-5000105	Bolt Washer	1
4	S11-3701110BA	Generator	1
5	Q1841090	Hexagon Flange Bolt	1
6	S11-3701315	Generator Belt	1

FRONT AXLE HOUSING GROUP



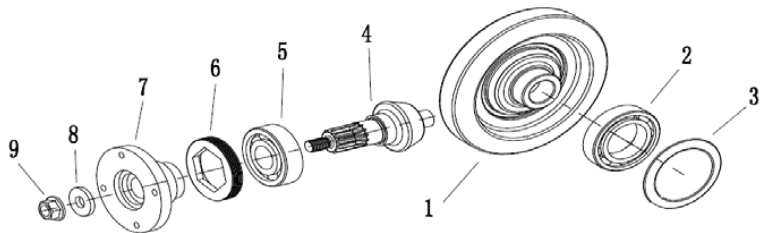
REF NO	PART CODE	DESCRIPTION (EN)	Q'TY
1	29611-5010	FRONT AXLE LEFT CASE	1
2	9911-254000	OIL SEAL 25×40×7	1
3	9921-251650	O-RING φ16.5×φ2.5	1
4	9313-181003	BOLT M18×1.5×10	1
5	9921-151550	O-RING φ15.5×φ1.5	1
6	29660-5010	SPEED SENSOR	1
7	9111-060163	BOLT,FLANGE	1
8	9513-101800	ALUNINUM PAD	1
9	29670-5010	JOINT, BREATHER PIPE	1
10	NA5903GB/T5801-2006	NEEDLE BEARING	1
11	9911-456800	OIL SEAL 45×68×8	1
12	29621-5010	FRONT AXLE RIGHT CASE	1
13	16007GB/T276-94	BEARING 16007	1
14	9562-620207	CIRCLIP	1
15	9921-30A600	O-RING φ160×φ3	1
16	9513-101800	ALUNINUM PAD	1
17	9111-100123	BOLT,FLANGE	1
18	9911-254000	OIL SEAL 25×40×7	1
19	9113-080253	BOLT,FLANGE	6
20	9111-100083	BOLT,FLANGE	7

DIFFERENTIAL GROUP



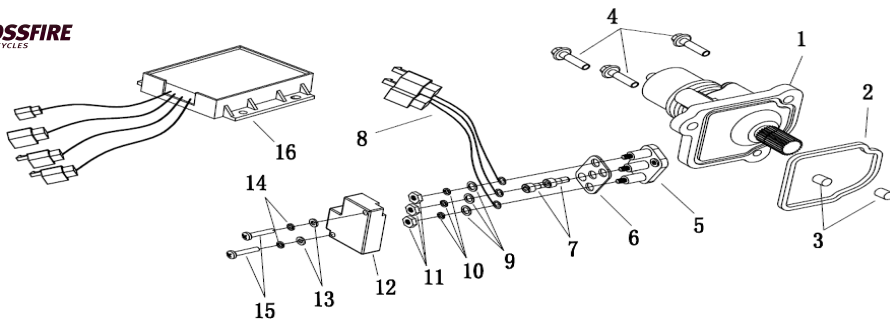
REF NO	PART CODE	DESCRIPTION (EN)	Q'TY
1	9511-395607	ADJUST WASHER C	1
2	9571-405707	FRICITION PAD	1
3	9522-405307	WASHER	1
4	27421-5010	LEFT HALF AXLE GEAR	1
5	9616-043007	PIN	1
6	27441-5010	PLANT GEAR	2
7	27493-5010	PLANT GEAR SHAFT	1
8	27431-5010	RIGHT HALF AXLE GEAR	1
9	9511-485807	ADJUST WASHER D	1
10	27411-5010	DIFFERENTIAL CASE	1
11	9521-101607	SPRING PAD 10	6
12	9121-100203	HEXAGON HEADED BOLT	6
13	61913GB/T276-94	BEARING 61913	1
14	9511-788807	ADJUST WASHER A	1
15	29691-5010	DRIVE CLUTCH	1
16	29692-5010	DRIVE CLUTCH COVER	1
17	29681-5010	FRONGT AXLE FORK	1
18	29693-5010	FORK SHAFT	1
19	9362-121003	SCREW M12×10	1
20	9811-050150	FORK SPRING	1
21	9031-200000	STEEL BALL	1

GEARSHIFT GROUP (FRONT AXLE)



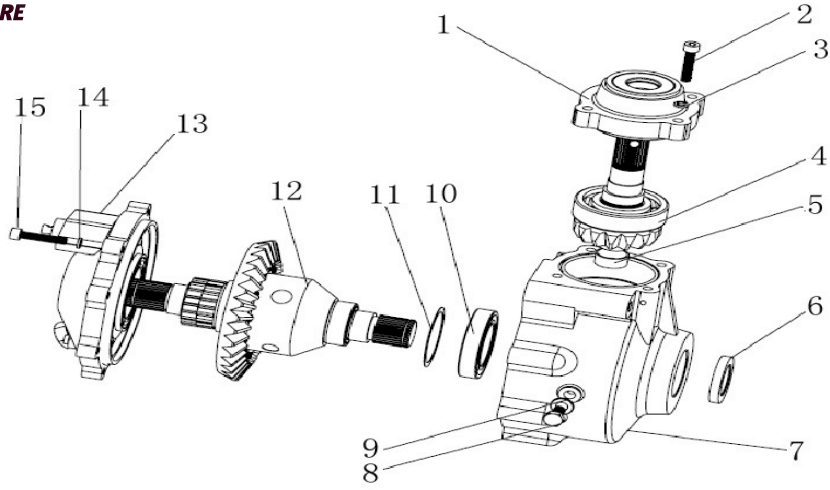
REF NO	PART CODE	DESCRIPTION (EN)	Q'TY
1	29640-5010	DRIVEN BEVEL GEAR FRONT ASLE	1
2	6008GB/T276-94	BEARING 6008	1
3	9511-546607	ADJUST WASHER B	1
4	29631-5010	DRIVE PINION GEAR	1
5	TM6305GB/T276-94	BEARING 6305	1
6	9432-651007	BEARING RETAINER	1
7	29651-5010	COUPLER	1
8	9511-123003	WASHER 12	1
9	9412-121203	NUT FLANGE	1

TWO-FOUR-DRIVE CONVERSION MECHANISM FOR GROUP



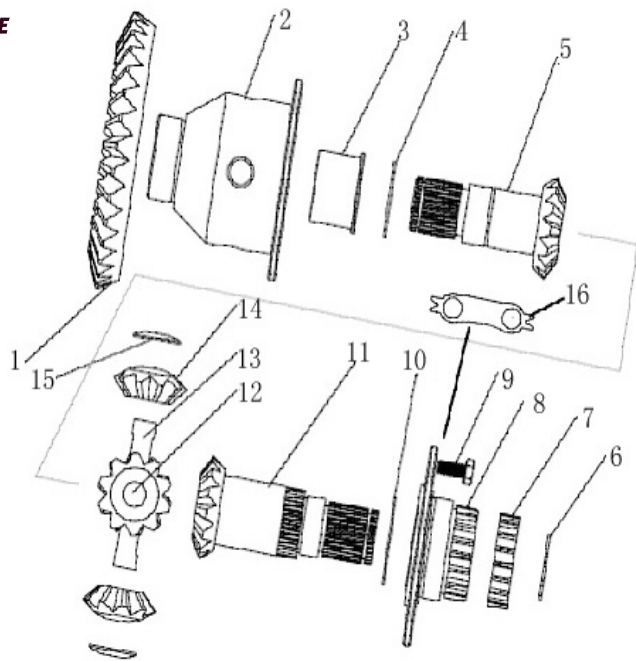
REF NO	PART CODE	DESCRIPTION (EN)	Q'TY
1	27710-5010	GEAR MOTOR	1
2	27791-5010	RING	1
3	9613-081000	DOWEL PIN	2
4	9111-060253	BOLT,FLANGE	3
5	38720-5010	CONNNTACT COMPONENTS	1
6	38741-5010	GASKET	1
7	9323-051507	SCREW	2
8	38730-5010	CONTACT WIRE	1
9	9511-040803	WASHER	3
10	9521-040707	SPRING PAD 4	3
11	9421-040303	HEX NUT	3
12	38751-5010	CONTACT COVER	1
13	9511-040803	WASHER	2
14	9521-040707	SPRING PAD	2
15	9342-042203	SCREW	2
16	38710-5010	DIFFERENTIAL CONTROLLER	1

REAR AXLE



CODE	PART CODE	DESCRIPTION (EN)	Q'TY
1	UV800-1021-00	GEAR MOTOR ASSEMBLY	1
2	GB/T 70.1 M8×40	BOLT M8×40	4
3	GB/T93-1987/φ8.5-2.5	SPRING WASHER φ8.5-2.5	4
4	UV800-3022-S-00	DRIVE GEAR ASSEMBLY	1
5	NA2512	BEARING NA2512	1
6	GB/T13871-92/FV35-55-8F	OIL SEAL 35*55*8	1
7	UV800-1001	FRONT DIFFERENTIAL GEAR CASE COVER	1
8	GB/T70-1985/M10*20	DRAIN BOLT M10*20	1
9	UV650-10015	WASHER	1
10	GB/T276-94/6010	BEARING 6010	1
11	UV800-1213	ADJUST WASHER	1
12	UV800-3023-S-00	DIFFERENTIAL GEAR ASSEMBLY	1
13	UV800-1002-00	DIFFERENTIAL GEAR CASE	1
14	GB/T93-1987/φ8.5-2.5	SPRING WASHER φ8.5-2.5	8
15	GB/T 70.1 M8×40	BOLT M8×40	8

DIFFERENTIAL GEAR ASSEMBLY



CODE	PART CODE	DESCRIPTION (EN)	Q'TY
1	UV800-3023-S	DRIVEN GEAR	1
2	UV800-1207	SUPPORT, DIFFERENTIAL GEAR, R	1
3	UV800-1214	BUSH	1
4	UV800-1212	ADJUST WASHER	1
5	UV800-1211	GEAR, SHAFT SET, R	1
6	GB/T894.1-86/φ35	RETAINER φ35	2
7	UV800-1203	LINK GEAR	1
8	UV800-1206	SUPPORT, DIFFERENTIAL GEAR, L	1
9	GB/T5786-2000/M8*1*20	BOLT M8*1*20	12
10	UV800-1205	ADJUST WASHER	1
11	UV800-1204	GEAR, SHAFT SET, R	1
12	UV800-1208	PLANET GEAR SHAFT 1	1
13	UV800-1209	PLANET GEAR SHAFT 2	1
14	UV800-1210	PLANET GEAR	4
15	UV800-1216	SPHERE WASHER	4
16	UV800-1220	RETAINER WASHER	6