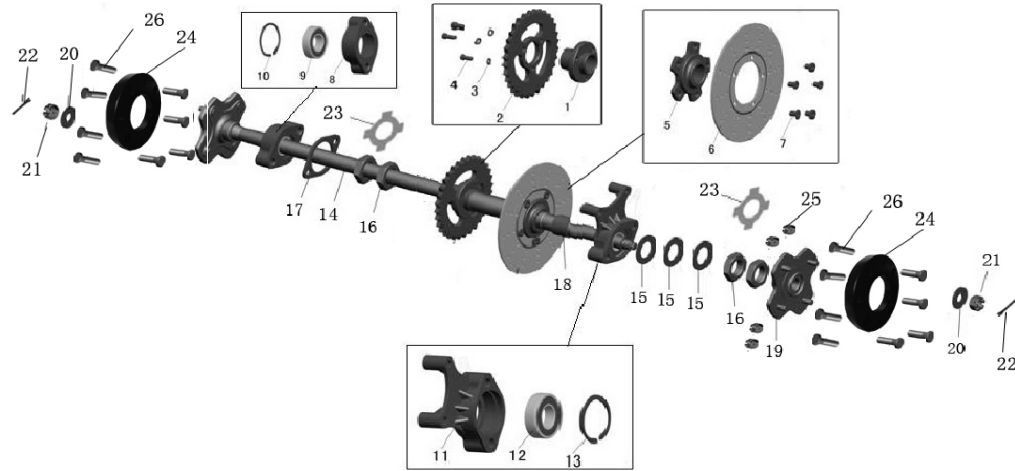


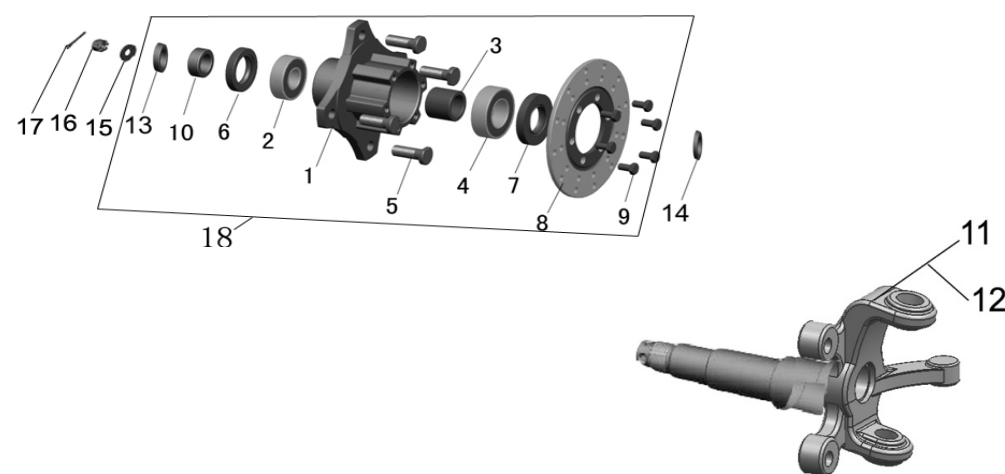
200GT Parts Catalogue

REAR AXLE



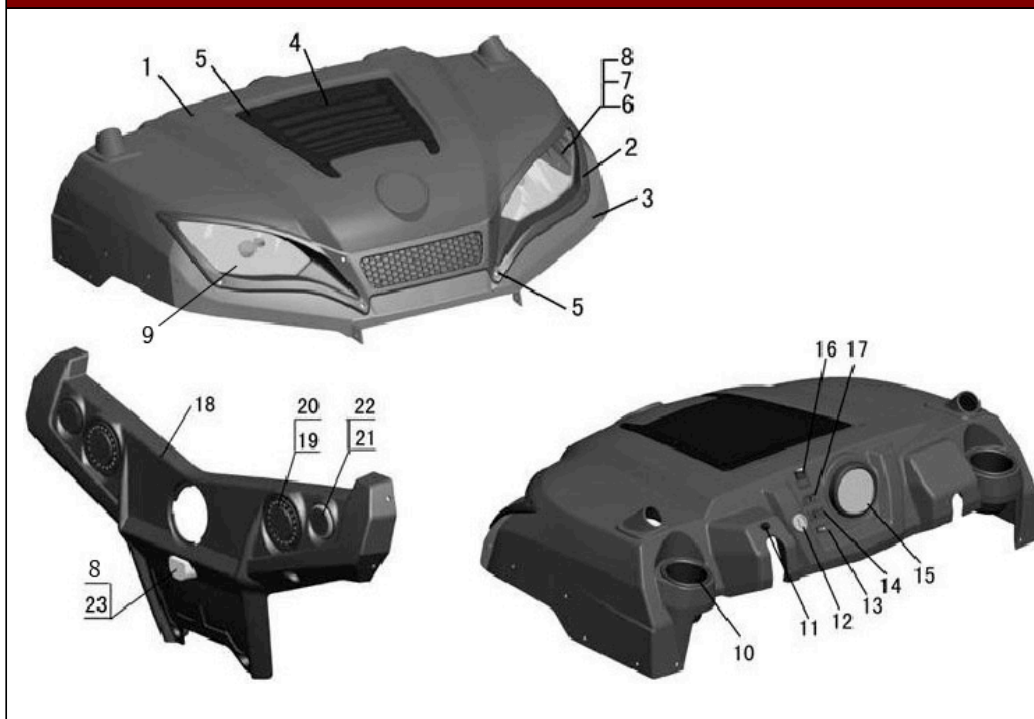
CODE	PART CODE	DESCRIPTION (EN)	Q'TY
1	L0404130	Chain Tray base	1
2	L0406050	Principal Axis Sprocket	1
3	S0302004	Spring Washer $\phi 8$	3
4	S0103209	Bolt M8*20	3
5	L0404210	Brake Disc	1
6	L0803020	RR.Brake Disc	1
7	L0504080	Bolt M10*1.25*12	5
8	L0404120	Bearing Seat	1
9	S0801015	Bearing (62/32)-RZ	1
10	S0303001	Circlip $\phi 62$	1
11	L0404110	Bearing Seat,Brake Master Cylinder	1
12	S0801014	Bearing 6206-RZ	1
13	S0303011	Circlip $\phi 65$	1
14	L0404010	Principal Axis	1
15	L0406020	Washer A $\phi 42 \times \phi 35.5 \times 3$	3
16	L0504050	Nut M32*1.5	4
17	L0404220	Holder,Principal Axis	1
18	L0403010	Rear Axis Bush	1
19	L0504010	Wheel Hub Flange	2
	L0504011	Wheel Hub Flange	2
20	L0405005	Washer $\phi 43 \times \phi 18 \times 3$	2
21	L09001030	Nut M18*1.5	2
22	S0601005	Pin $\phi 4 \times 30$	2
23	L0404230	WASHER	2
24	L0504070	Rear Wheel Widen Seat	2
25	H0601030	Bolt M10*1.25*35	16
26	S0204005	Nut M10*1.25	8

FRONT KNUCKLES



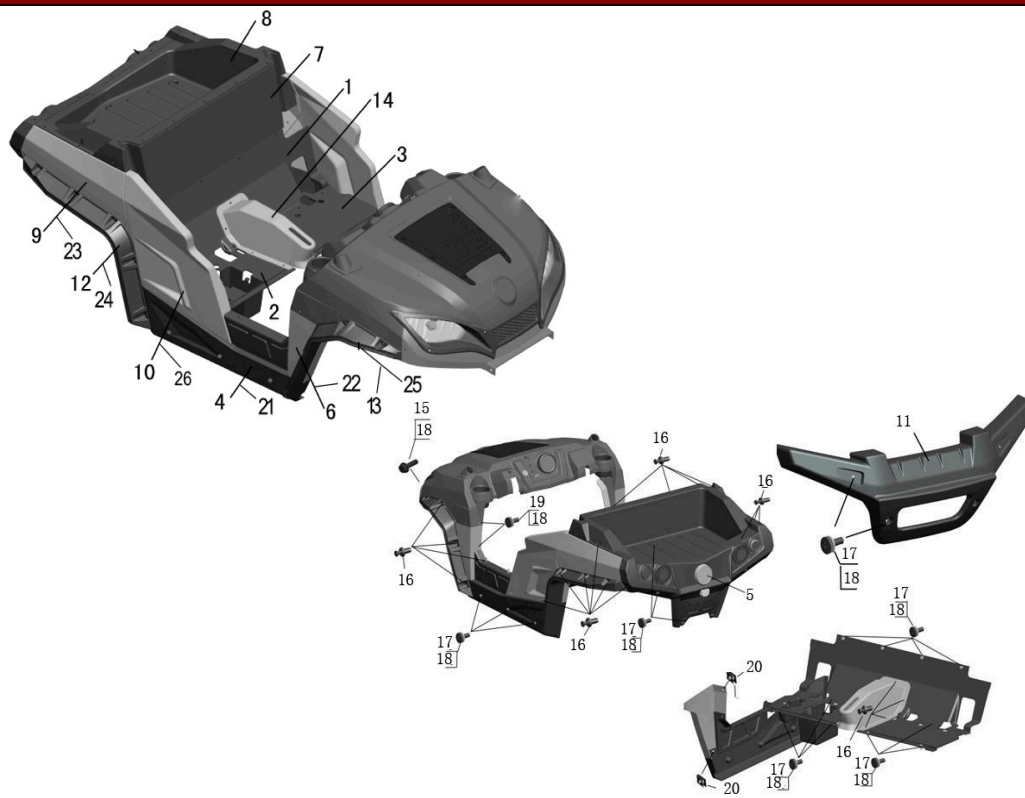
CODE	PART CODE	DESCRIPTION (EN)	Q'TY
1	L0504020	Wheel Hub	2
2	S0801017	Bearing 6203-RZ	2
3	L0806040	Bush. Wheel Hub $\phi 30 \times \phi 22 \times 25$	2
4	S0801016	Bearing 6204-RZ	2
5	L0504021	Bolt M10*1.25*27.5	8
6	L0504030	Seal Ring TC26*40*7	2
7	L0504040	Seal Ring TC25*47*7	2
8	L0803010	Front Brake Disc	2
9	S0102058	bolt M6*16	12
10	L0806030	Bush $\phi 26 \times \phi 17 \times 10$	2
11	L0503011	Knuckle Set,L.FR.	1
12	L0503021	Knuckle Set,R.FR.	1
13	L0503070	Front Wheel Washer A	2
14	L0503080	Front Wheel Washer	2
15	S0401607	Washer($\phi 14 \times \phi 28 \times 3$)	2
16	L0503060	Nut(M14*1.5)	2
17	S0601109	Pin($\phi 3 \times 30$)	2
18	L0504060	Wheel Hub ASSY	1

PLASTIC



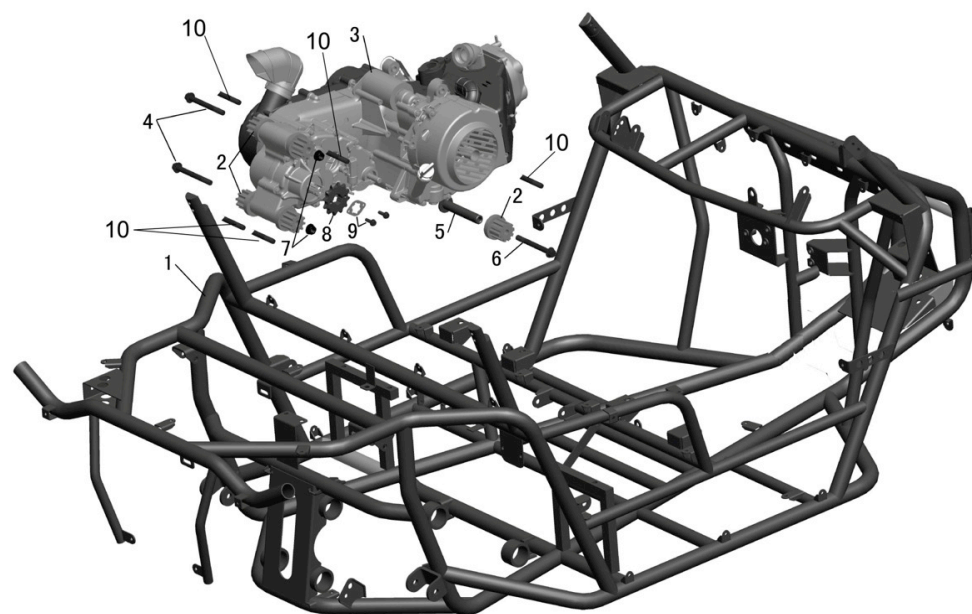
CODE	PART CODE	DESCRIPTION (EN)	Q'TY
1	L1101010	Front Engine Cover	1
2	L1101030	Headlight Cover	1
3	L1101110	Front. Below.Engine Cover	1
4	L1101020	Garnish Cover, Front Engine Cover	1
5	S0108001	Bolt M8*20	14
6	L1008020	Headlight Assembly(L)	1
7	S0401002	Washer $\Phi 5 \times \Phi 10 \times 1$	8
8	GB/T 845	Screw, Tap ST4.8 \times 16	12
9	L1008030	Headlight Assembly(R)	1
10	L1105010	Cup Cover	2
11	A1005060	Caution Switch	1
12	G1005050	Ignition Switch	1
13	L1015030	Bugle Switch	1
14	L1015010	Turning Light Switch	1
15	L1013020	Meter Assembly	1
	L1013021	Meter Assembly	1
16	L1015020	Change Light Switch	1
17	L1015040	Lamplight Switch	1
18	L1104010	Taillight Cover	1
19	L1008010	Taillight Assembly	2
20	S0202003	Nut M5	6
21	A1008140	Rear Reflector(Red)	2
22	S0202004	Nut M6	2
23	H1008130	License Plate Light	1

PLASTIC



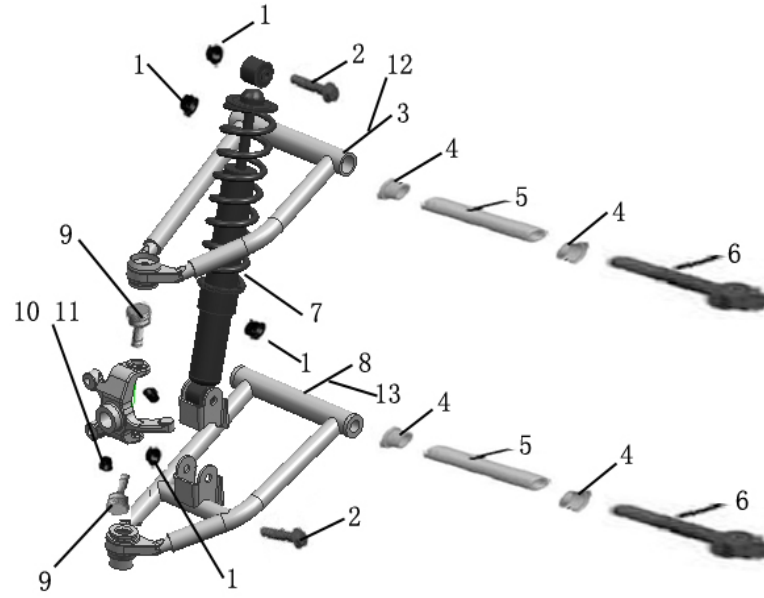
CODE	PART CODE	DESCRIPTION (EN)	Q'TY
1	L1212100	After Seat Cover	1
2	L1102070	Batteries Cover	1
3	L11207010	Below Seat Cover	1
4	L1216040	Side Cover(L)	1
5	L1216110	Gasoline Tank Meatus Cover	1
6	L1102040	Connect Cover,Engine Cover(L)	1
7	L1212090	Rear Seat Cover (Upper)	1
8	L1216080	Cover,Cargo Box	1
9	L1216090	Side Cover,Gargo Box(L)	1
10	L1216010	Side Above Cover(L)	1
11	L1203040	Bumper Decorate Cover	1
12	L1208010	Rear Tyre Cover(L)	1
13	L1103010	Front Tyre Cover(L)	1
14	L0303040	Gear Shifting Cover	1
15	S0101057	Bolt M6*20	2
16	S0108001	Bolt M8*20	76
17	S0106109	Bolt M6*20	38
18	S0404001	Rubber Washer Φ5	38
19	S0106112	Bolt M6*35	4
20	S0207101	Nut,Clip M6	4
21	L1216050	Side Cover(R)	1
22	L1102050	Connect Cover,Engine Cover(R)	1
23	L1216100	Side Cover,Gargo Box(R)	1
24	L1208020	Rear Tyre Cover(R)	1
25	L1103020	Front Tyre Cover(R)	1
26	L1216020	Side Above Cover(R)	1

FRAME



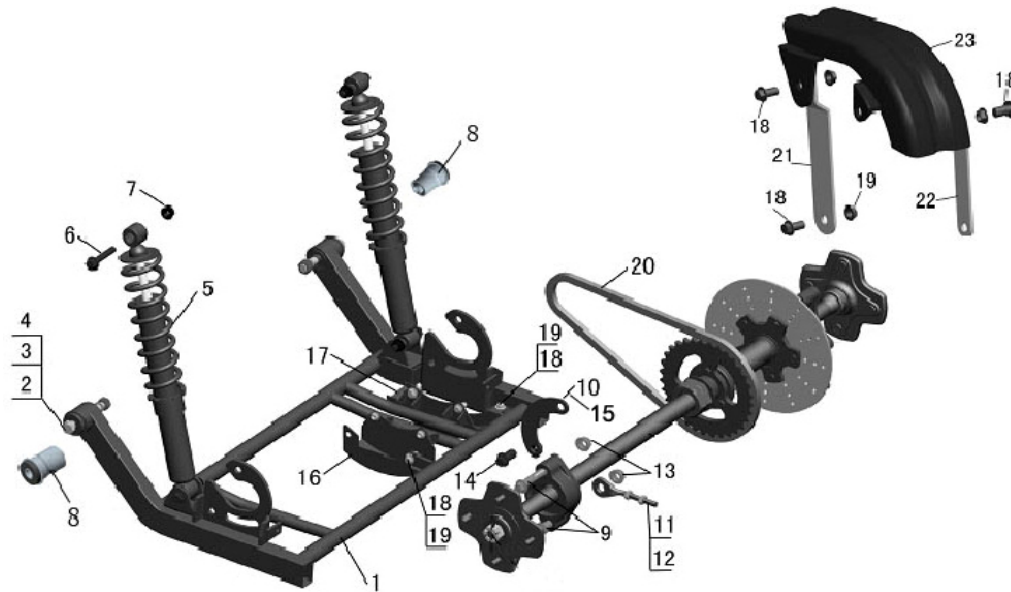
CODE	PART CODE	DESCRIPTION (EN)	Q'TY
1	L1201020	Frame	1
2	L0104010	Damper Rubber,Engine(Under)	6
3	L0101000	Engine	1
	L0101011	Engine	1
4	S0101350	Bolt M10*1.25*180	2
5	L0100030	Engine Bush φ34*φ10.5*108	1
6	S0101379	Bolt M10*1.25*300	1
7	S0203008	Nut M10*1.25	3
8	L0101010	Drive Sprocket	1
9	L0101011	Sprocket Retainer	1
10	L0104020	Damper Rubber,Engine Bush(Under)	6

FRONT ARM



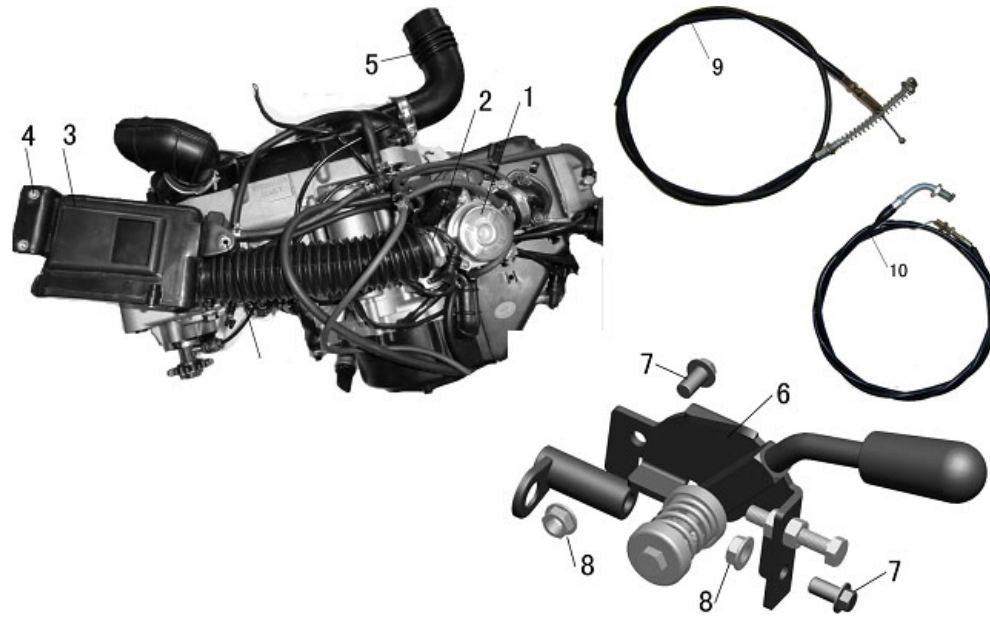
CODE	PART CODE	DESCRIPTION (EN)	Q'TY
1	S0203005	Nut M10*1.25	8
2	S0101327	Bolt M10.*1.25*100	4
3	L0505011	ARM SET,L. FR. (UPPER)	1
4	H0505280	CENTER SPACER	4
5	H0504080	BUSH ,ARM	8
6	S0101460	BOLT,FLANGE (M10*1.25*210)	4
7	L0501011	Front Shock Absorber	2
8	L0505012	ARM SET,L.FR.(LOWER)	1
9	L0505050	JOINT,ARM BALL	4
10	S0209002	NUT (M12*1.25)	4
11	S0601006	PIN , SPLIT (2.5*25)	4
12	L0505021	ARM SET,R.FR.(UPPER)	1
13	L0505022	ARM SET,R.FR.(LOWER)	1

REAR ARM



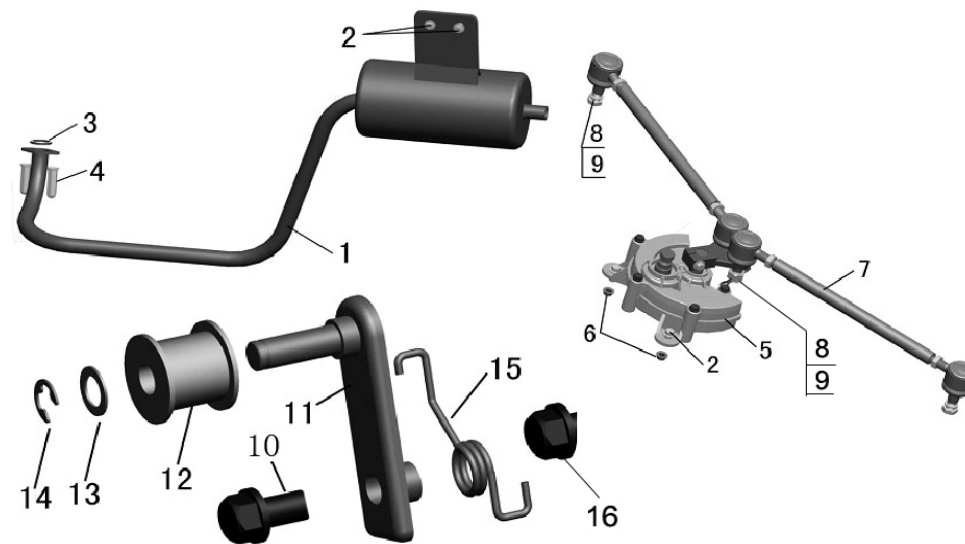
CODE	PART CODE	DESCRIPTION (EN)	Q'TY
1	L0506010	Rear Arm	1
2	S0102523	Bolt M12*1.75*90	2
3	S0402005	Spring Washer φ12	2
4	S0202081	Nut M12*1.75	2
5	L0502010	Rear Shock	2
6	S0101315	Bolt M10*1.25*50	4
7	S0203008	Nut M10*1.25	4
8	A0505070	Damper Rubber, Arm	2
9	S0101613	Bolt M12*1.25*60	4
10	L0506030	Principal Axis Fixing Disk(L)	1
11	L0504060	Bolt M8*54	2
12	S0202005	Nut M8	4
13	S0203006	Nut M12*1.25	4
14	S0101309	Bolt M10*1.25*20	2
15	L0506040	Principal Axis Fixing Disk(R)	1
16	L0506020	Guard,Principal Axis Sprocket	1
17	L0803030	Guard, Brake Disc	1
18	S0101291	Bolt M8*20	9
19	S0203004	Nut M8	9
20	L0406060	Chain	1
21	L0506050	Bracket,Sprocket(FR)	1
22	L0506070	Bracket,Sprocket(RR)	1
23	L0406070	Sprocket Cover	1

AIR FILTER & HAND BRAKE ASSEMBLY



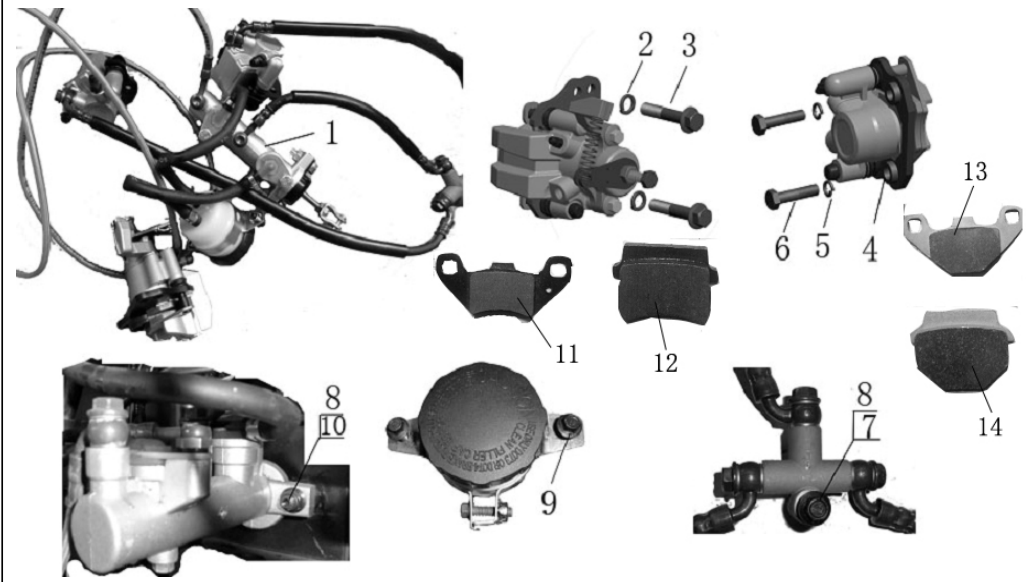
CODE	PART CODE	DESCRIPTION (EN)	Q'TY
1	L0102010	Carburetor	1
2	S0301005	CLAMP $\phi 25-\phi 38$	1
3	L0105020	Air Filter	1
4	S0101057	Bolt M6*20	3
5	L0106030	Windpipe Tie-in	1
6	L0810020	Hand Brake Assembly	1
7	S0101291	Bolt M8*20	2
8	S0203004	Nut M8	3
9	L0810010	Hand Brake Cable	1
10	L0109020	Throttle Cable	1

MUFFLER, STEERING ASSEMBLY & TENSIONING PULLEY ASSEMBLY



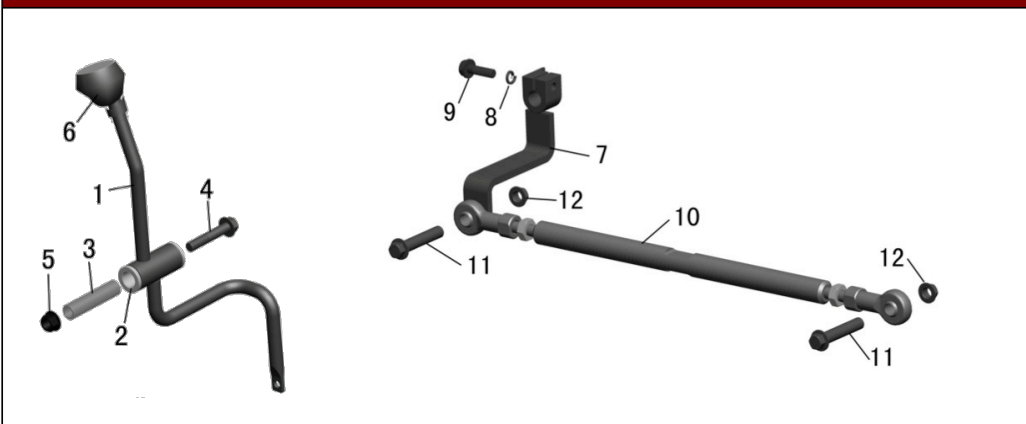
CODE	PART CODE	DESCRIPTION (EN)	Q'TY
1	L0107010	Muffler	1
	L0107020	Muffler	1
2	S0101207	Bolt M8*20	5
3	L0101008	Exhaust Pipe Washer	1
4	L0101009	Nut M8	2
5	L0901011	Steering Assembly	1
6	S0203004	Nut M8	4
7	L0905020	Tie-Rod Assembly	2
8	S0209001	Nut(10x1.25)	4
9	S0601007	Cotter Pinc($\phi 3 \times 35$)	4
10	S0101209	Bolt M8*40	1
11	L0406010	Bracket, Tensioning Pulley Assembly	1
12	L0406040	Nylon Orbit	1
13	S0401408	Washer $\phi 10 \times \phi 21 \times 1$	2
14	S0303012	"E" Retainer $\phi 10$	1
15	L1015090	Orbit Spring	1
16	S0203004	Nut M8	1

BRAKE MASTER CYLINDER



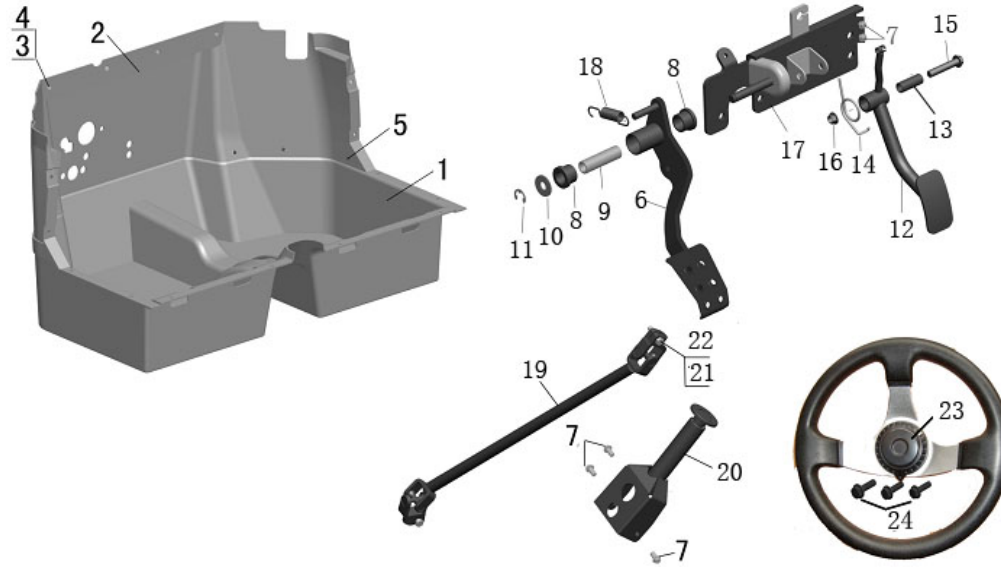
CODE	PART CODE	DESCRIPTION (EN)	Q'TY
1	L0801010	Caliper, Brake	1
2	S0402004	Spring Washer $\phi 10$	2
3	S0101314	Bolt M10*1.25*45	2
4	L0801020	Washer $\phi 16*\phi 9*5$	4
5	S0402003	Spring Washer $\phi 8$	4
6	S0102212	Bolt M8*30	4
7	S0101209	Bolt M8*30	1
8	S0203004	Nut M8*1.25	3
9	S0101056	Bolt M6*16	2
10	S0101213	Bolt M8*50	2
11	91202004	Rear Brake Pad(Outside)	1
12	91202002	Rear Brake Pad(Inside)	1
13	91202003	Front Brake Pad(Outside)	2
14	91202001	Front Brake Pad(Inside)	2

HOLDER, SHIFT CHANGE LEVER



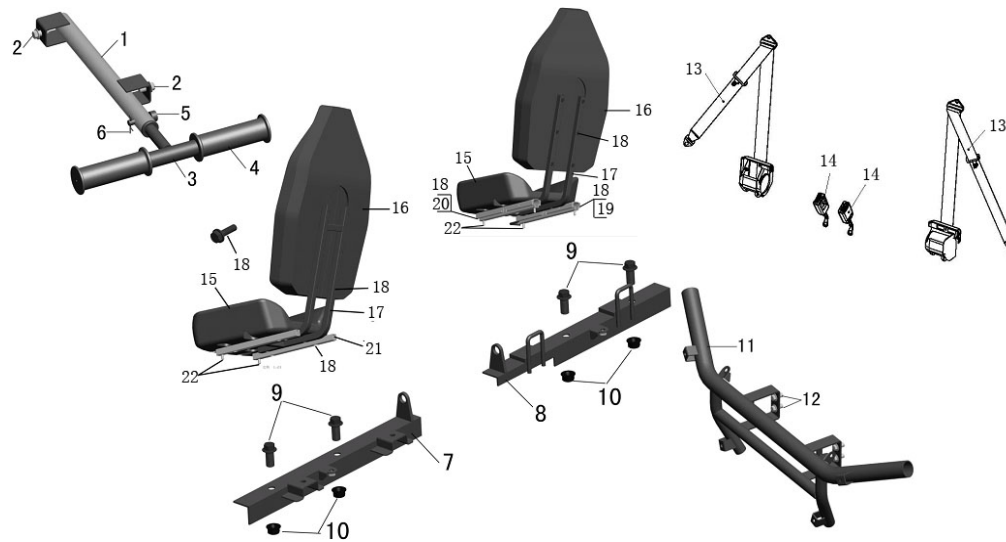
CODE	PART CODE	DESCRIPTION (EN)	Q'TY
1	L0303020	Holder,Shift Change Lever	1
2	W0506020	Rocker Collar $\phi 28*\phi 21*60$	2
3	W0506030	Center Spacer $\phi 16*\phi 10.5*75$	1
4	S0101323	Bolt M10*1.25*95	1
5	S0203005	Nut M10*1.25	1
6	L0303062	GLOBE JOINT,GEARSHIFT	1
7	L0303010	Shift Change Arm	1
8	S0402002	Spring Washer $\phi 6$	1
9	S0101059	Bolt M6*25	1
10	L0303030	Gear Shifting Pole	1
11	S0101209	Bolt M8*30	2
12	S0203004	Nut M8*1.25	2

MOTHERBOARD, STEERING SYSTEM



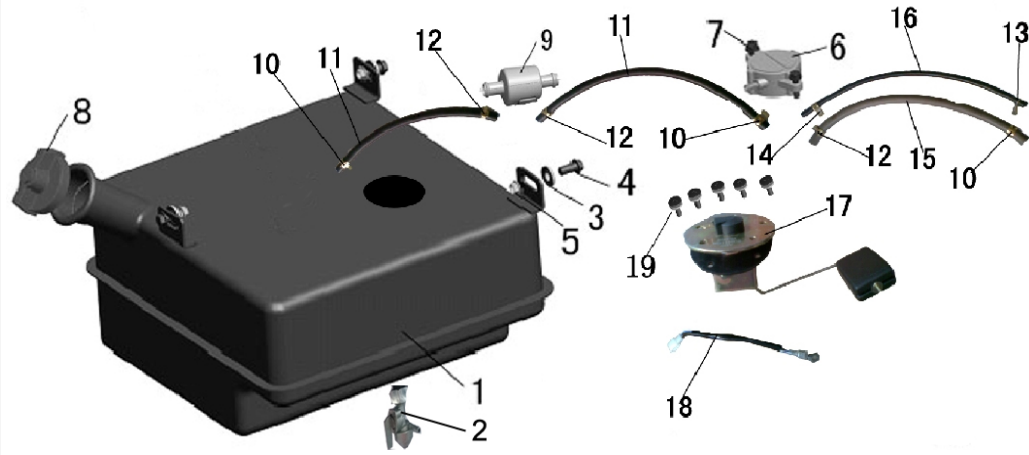
CODE	PART CODE	DESCRIPTION (EN)	Q'TY
1	L1102030	Motherboard Cover	1
2	L1101090	Boarding	1
3	S0404001	Rubber Washer $\phi 6$	6
4	S0106109	Bolt M6*20	12
5	S0108001	Bolt M8*20	4
6	L0806050	Pedal, Brake	1
7	S0101207	Bolt M8*20	6
8	G0505140	Nylon Bush $\phi 18 \times \phi 22 \times 16$	2
9	L0806020	Girder Bush $\phi 17 \times \phi 10.2 \times 55$	1
10	S0401412	Washer $\phi 10 \times \phi 20 \times 2$	1
11	S0303013	"E" Retainer $\phi 8$	1
12	L0109010	Accelerator Pedal	1
13	G0109050	Pin	1
14	G0109060	Extension Spring	1
15	S0101213	Bolt M8*50	1
16	S0203004	Nut M8	1
17	L0806010	Bracket, Brake	1
18	L0810030	Spring	1
19	L0904011	Steering Joint	1
20	L0903010	Steering Column	1
21	S0402003	Spring Washer $\phi 8$	2
22	S0102210	Bolt M8*1.25*25	2
23	L0902010	Steering Wheel	1
24	S0101056	Bolt M6*16	3

ARMREST, BUMPER, SEAT ASSEMBLY



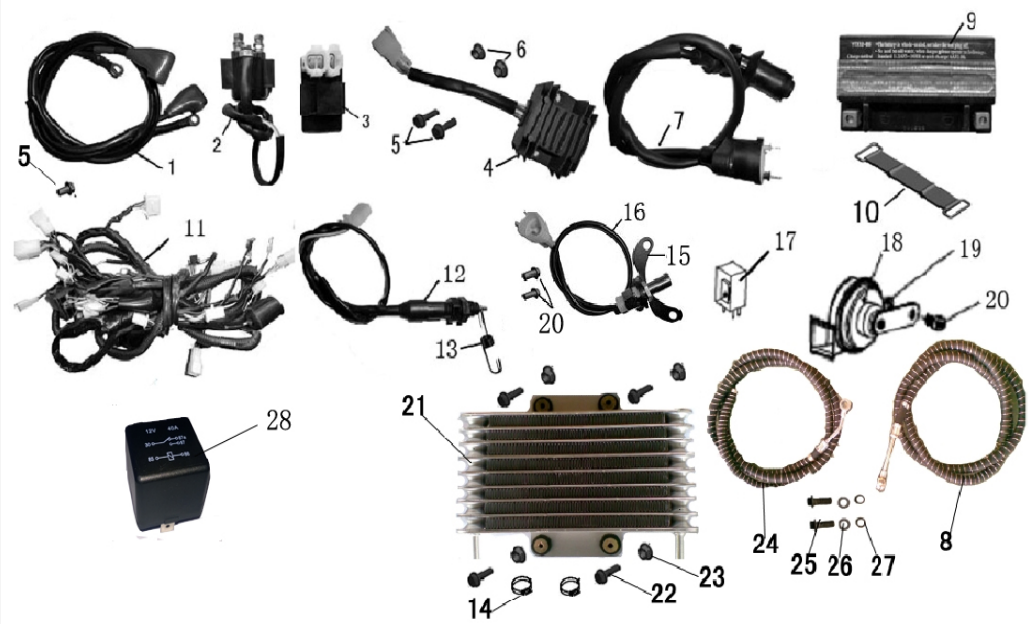
CODE	PART CODE	DESCRIPTION (EN)	Q'TY
1	L1110020	Armrest Fixation Discreteness	1
2	S0101206	Bolt M8*16	6
3	L1110010	Armrest Discreteness	1
4	L0902030	Handgrip Cover	2
5	L1110030	Pin $\phi 8 \times 33$	1
6	S0601108	Pin $\phi 1.5 \times 25$	1
7	L1212060	Bracket, After Lower Main Seat	1
8	L1212050	Bracket, After Lower Assistant Seat	1
9	S0101312	Bolt M10*1.25*35	4
10	S0204005	Nut M10*1.25	4
11	L1203010	Front Bumper	1
12	S0101207	Bolt M8*20	4
13	L1222010	Safety Belt	2
14	L1222020	Safety Belt Socket	2
15	L1212010	Cushion	2
16	L1212020	Backrest	2
17	L1212030	Bracket Seat	2
18	S0101060	Bolt M6*20	28
19	L1224010	Main Seat Slide Block	1
20	L1224020	Assistant Seat Slide Block	1
21	L1212040	Seat Fastness Crossband	2
22	S0204003	Nut M8	6

GASOLINE TANK



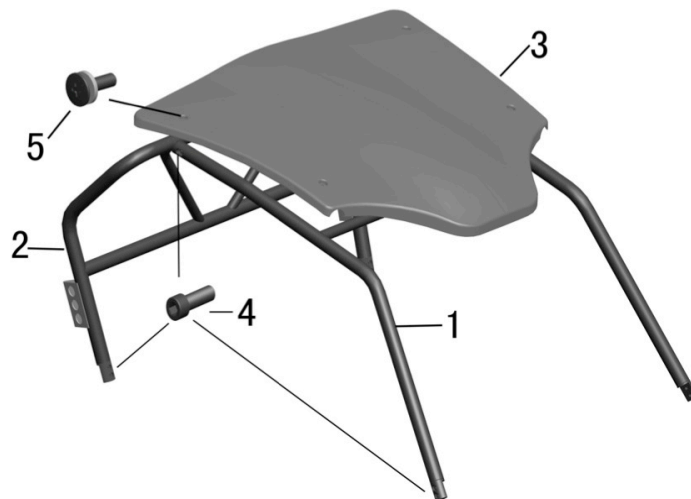
CODE	PART CODE	DESCRIPTION (EN)	Q'TY
1	L1209011	Gasoline Tank	1
2	L1209060	Oil Tank Valve	1
3	A0107040	Rubber Washer	3
4	S0101208	Bolt (M8×25)	3
5	S0203004	Nut (M8)	3
6	H1209060	FUEL PUMP	1
7	S0101057	Bolt(M6×20)	2
8	G1209110	Cap Assembly, Fuel	1
9	H1209070	Fuel Filter	1
10	S0302110	Clamp(φ9)	3
11	A1209030	Fuel Hose	2
12	S0302112	Clamp(φ10)	3
13	S0302132	Clamp(φ6)	1
14	S0302004	Clamp(φ8)	1
15	H1209040	Fuel Hose(EPA)	1
16	H1209050	Hose,Vacuum Pressure	1
17	L1209500	Fuel Level Sensor	1
18	L1001050	Cable,Fuel Level Sensor	1
19	S0104036	Bolt(M5×12)	5

ELECTRIC SYSTEM



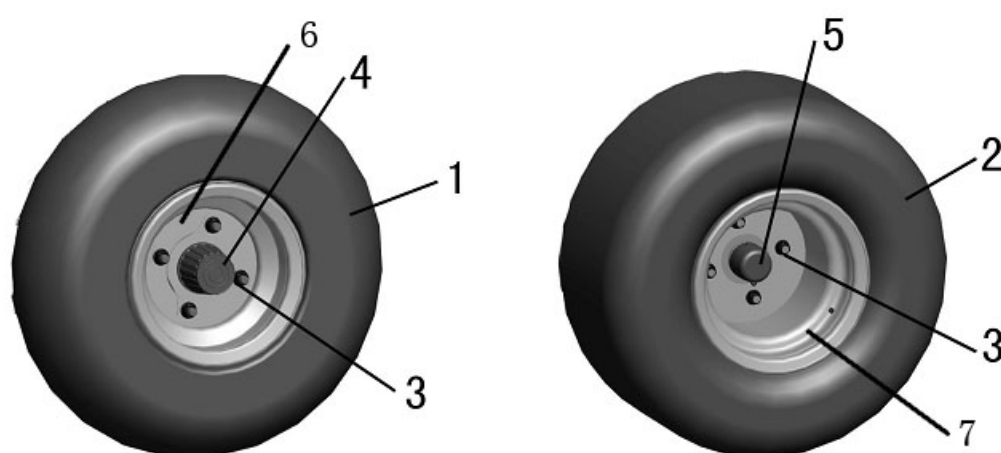
CODE	PART CODE	DESCRIPTION (EN)	Q'TY
1	L1001020	Wire, Motor	1
2	L1011011	Start Relay	1
3	L1003011	CDI	1
4	L1003020	Rectifier	1
5	S0101057	Bolt (M6×20)	2
6	S0203003	Nut(M6)	2
7	L1003021	Ignition Coil	1
8	L0101559	Fuel Hose(1800mm)	1
9	L1002010	Battery	1
10	H1002060	Bang, Battery	1
11	L1001011	Wire Harness	1
12	L1005050	Hand Brake Switch	2
13	L0810040	Hand Brake Spring	2
14	S0301003	Clamp(φ13-φ19)	2
15	R13A1090	Support, Speed Sensor	1
16	L1012010	Speed Sensor	1
17	G1011100	Flash Apparatus	1
18	H1007010	Horn	1
19	GB/T 6187.1 M8	Nut(M8)	1
20	GB/T 5789 M8×20	Bolt(M8×20)	1
21	L0101558	Oil Cooler Comp	1
22	GB/T 819.1 M6×16	Screw(M6×16)	4
23	GB/T 6177.1 M6	Nut(M6)	4
24	L0101560	Fuel Hose(1600mm)	1
25	L0101148	Hollow Bolt For Fuel	2
26	L0101149	Oil Seal Washer	2
27	L0101510	Washer	2
28	Q0500060	Relay	1

CEILING JOIST



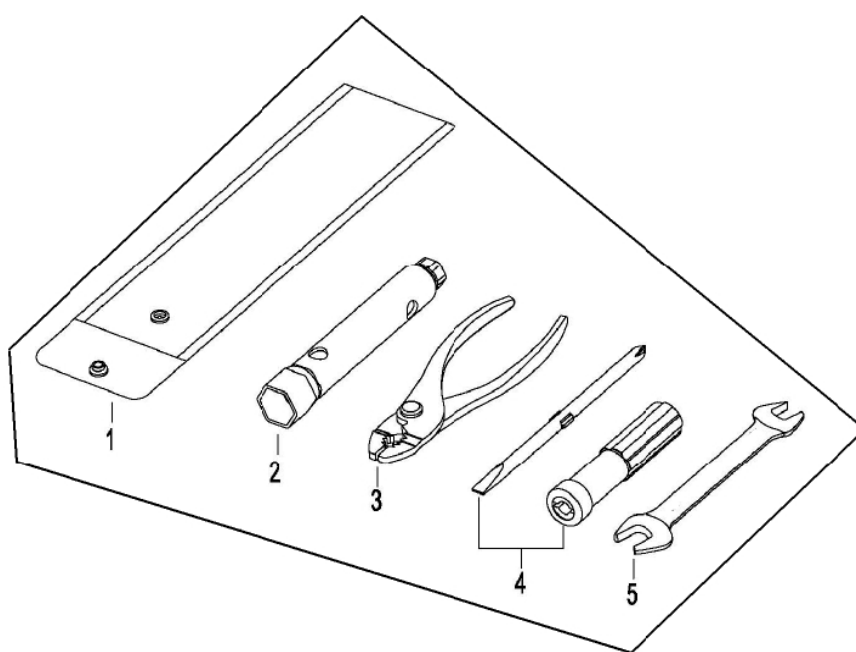
CODE	PART CODE	DESCRIPTION (EN)	Q'TY
1	L1202010	Bracket,Ceiling Joist,FR	1
2	L1202020	Bracket,Ceiling Joist,RR	1
3	G1106010	Ceiling Joist	1
4	S0103210	Bolt M8*25	10
5	S0106111	Bolt M6*30	4

WHEEL ASSEMBLY



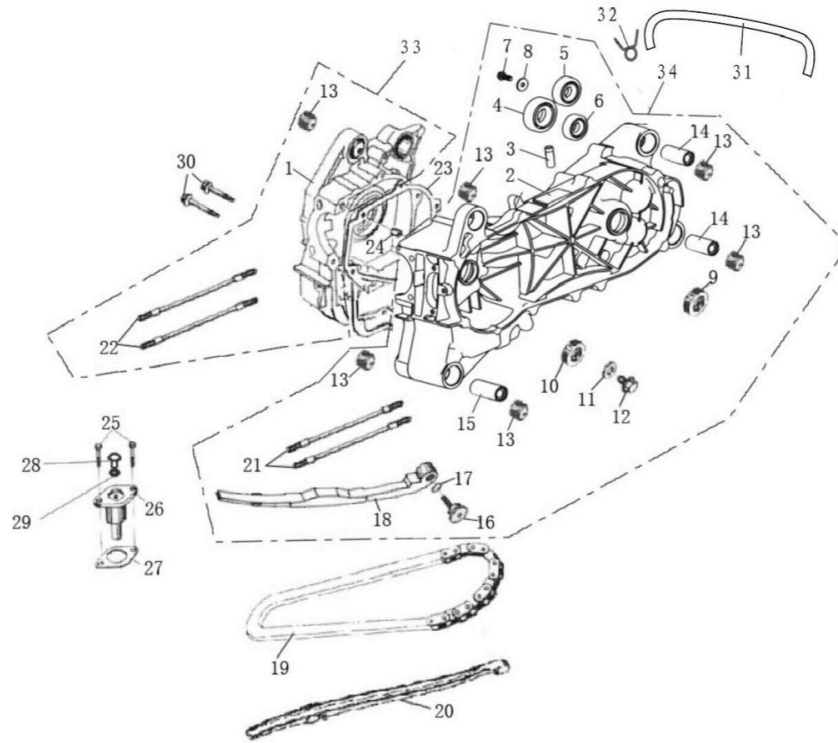
CODE	PART CODE	DESCRIPTION (EN)	Q'TY
1	L0601010	Front Wheel Assembly	2
	L0601011	Front Wheel Assembly	2
2	L0601020	Rear Wheel Assembly	2
	L0601021	Rear Wheel Assembly	2
3	S0204005	Nut M10*1.25	16
	H0601041	Nut , Wheel(M10×1.25)	16
4	L0602030	Steel Rim Cap	2
5	A0602060	Rubber Steel Rim Cap	2
6	L0602010	RIM,FR. WHEEL	2
	L0602011	RIM , FR. WHEEL(12×6)	2
7	L0602020	RIM,RR. WHEEL	2
	L0602021	RIM , RR. WHEEL(12×7.5)	2

TOOLS



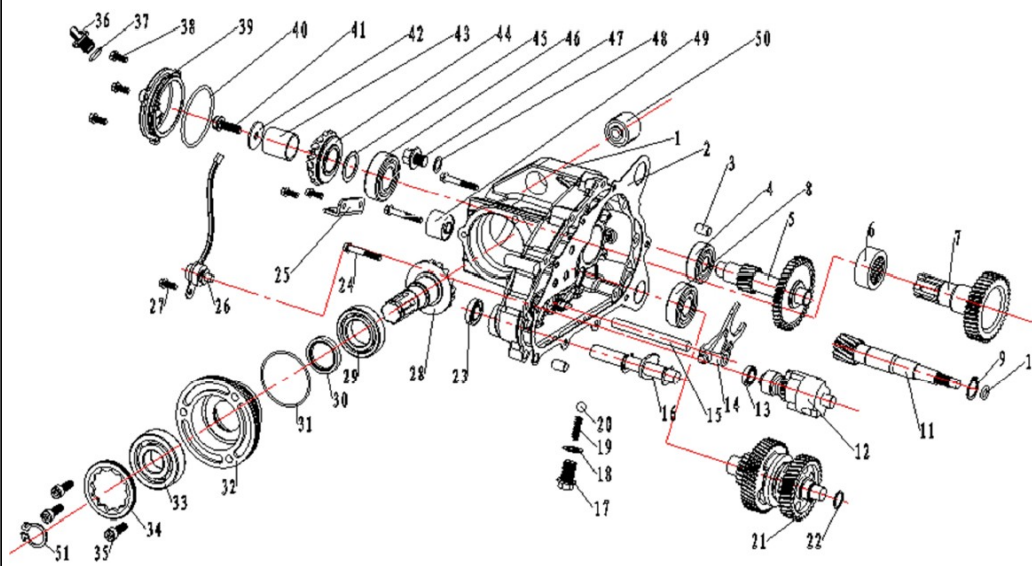
CODE	PART CODE	DESCRIPTION (EN)	Q'TY
1	L1407010	Bag,Tool	1
2		Wrench,Plug(S=16)	1
3		Pliers	1
4		Screwdriver	1
5		Spanner(8-10)	1

CRANKCASE ASSEMBLY



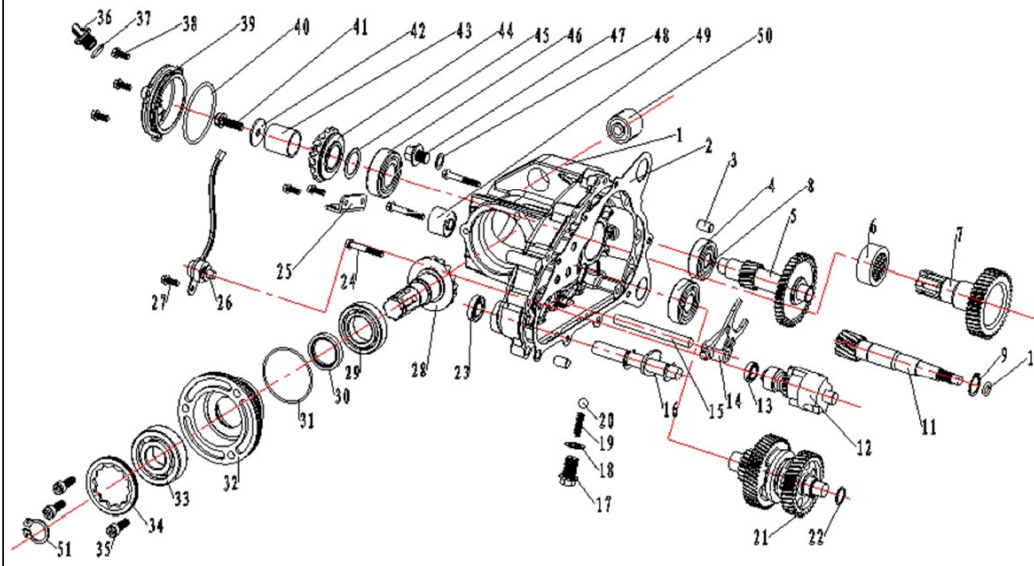
CODE	PART CODE	DESCRIPTION(EN)	Q'TY
1	2.20.05.09.02000	CRANKCASE,RH	1
2	2.20.04.66.07000	CRANKCASE,LH	1
3	1.20.07.32.02000	JOINT,BREATHER HOSE	1
4	1.00.01.6204	BEARING(6204)	1
5	1.00.01.6203	BEARING(6203)	1
6	1.00.01.6202	BEARING(6202)	1
7	1.05.01.09.0614	BOLT(M6×14)	1
8	1.20.20.20.17000	WASHER(φ6)	1
9	1.20.20.01.08000	OIL SEAL(φ20×φ32×6)	1
10	1.20.04.01.13000	OIL SEAL(φ19.8×φ30×5)	1
11	1.20.04.01.03000	WASHER(φ12×φ18×1)	1
12	1.20.04.01.14000	BOLT(M12×1.5×14)	1
13	1.20.04.01.09000	GROMMET	5
14	1.20.04.65.15000	Bush(φ42)	2
15	1.20.04.65.16000	Bush(φ50)	1
16	1.20.13.01.01000	SCREW,TAP	1
17	1.20.13.01.02000	O-RING(φ16×φ1.5)	1
18	1.20.13.01.05000	TENSIONER CAM CHAIN	1
19	1.20.13.32.04000	CAMSHAFT DRIVE CHAIN	1
20	1.20.13.01.06000	GUIDE COMP CAM CHAIN	1
21	1.20.04.06.04000	STUD(M8×209)	2
22	1.20.05.06.01000	STUD(M8×201)	2
23	1.20.04.01.05000	RIGHT COVER CUSHION	1
24	1.20.04.01.01000	LOCATING BUSH(φ8×14)	2
25	1.05.01.09.0622	BOLT(M6×22)	2
26	1.20.13.01.07000	LIFTER ASSY TENSIOER	1
27	1.20.13.01.03000	CUSHION	1
28	1.20.13.01.08000	SCREW,TAP	1
29	1.20.13.01.09000	O-RING(φ9.5×φ1.5)	1
30	1.05.01.09.0650	BOLT(M6×50)	2
31	1.20.04.65.12000	CYLINDER HEAD TUBE	1
32	1.20.04.65.17000	CLAMP(φ11.5)	1
33	2.20.05.61.99000	CRANKCASE,RH	1
34	2.20.05.65.99000	CRANKCASE,LH	1

GEAR-BOX COVER



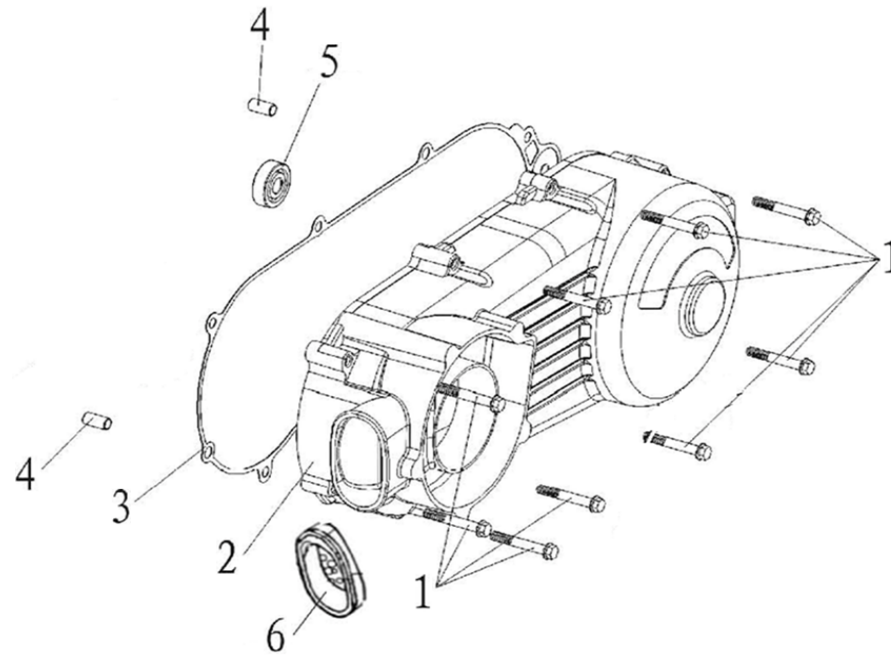
CODE	PART CODE	DESCRIPTION(EN)	QTY
1	11340-2300	GEAR-BOX COVER	1
2	1.20.20.65.08000	GEAR BOX CUSHION	1
3	1.20.01.01.01000	LOCATING BUSH	2
4	1.00.01.6302	BEARING(6302)	1
5	1.20.20.65.10000	GEAR SHAFT	1
6	1.00.01.4905	BEARING NEEDLE(RNA4905)	1
7	1.20.20.65.03000	OUTPUT SHAFT	1
8	1.00.01.6204	BEARING(6204)	1
9	1.05.06.02.2000	CIRCLIP(ϕ 20)	1
10	1.05.06.02.20000	O-RING(ϕ 10 \times ϕ 2.5)	1
11	1.20.20.65.02000	SHAFT DRIVE	1
12	1.20.20.65.18000	GEAR SHIFT DRUM ASSY	1
13	1.20.20.65.19000	OIL SEAL(ϕ 14 \times ϕ 22 \times 5)	1
14	1.20.20.65.11000	GEAR SHIFT FORK	1
15	1.20.20.65.21000	GEAR SHIFT FORK SHAFT(ϕ 10 \times 96)	1
16	1.20.20.65.17001	SHIFT SHAFT ASSY	1
17	1.20.04.65.18000	BOLT(M14 \times 29)	1
18	1.20.04.65.19000	WASHER(ϕ 14 \times ϕ 22 \times 1)	1
19	1.20.04.65.20000	LIMIT SPRING(ϕ 6.5 \times 25)	1
20	1.20.04.65.21000	FRICTION BALL(13/32)	1
21	1.20.20.65.09000	IDLE GEAR SHAFT	1
22	1.20.04.65.23000	WASHER(ϕ 15 \times ϕ 19 \times 1)	1
23	1.20.20.65.16000	OIL SEAL(ϕ 14 \times ϕ 28 \times 7)	1
24	1.05.01.09.0640	BOLT(M6 \times 40)	10
25	1.20.20.65.22000	PULL BRACKET	1

GEAR-BOX COVER



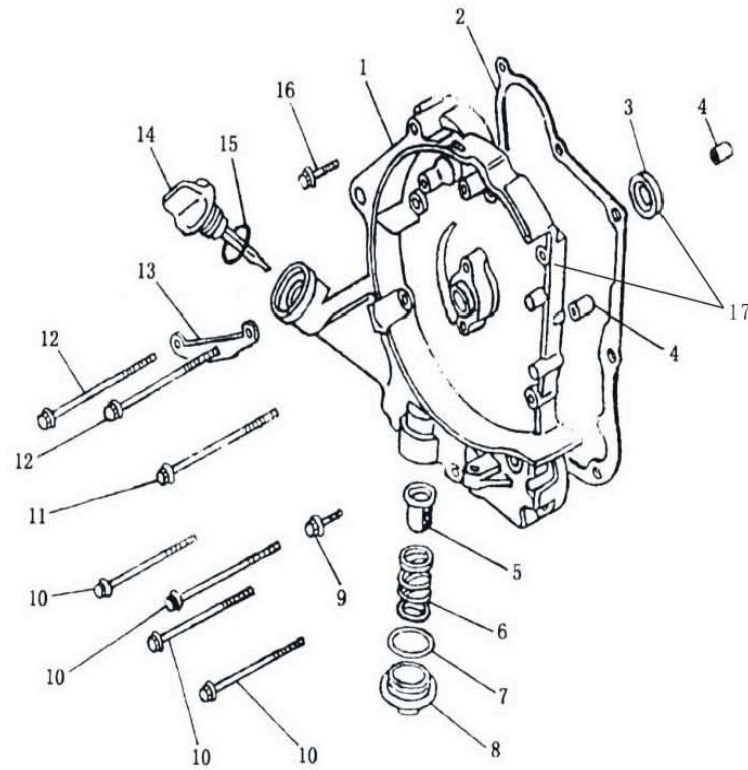
CODE	PART CODE	DESCRIPTION(EN)	QTY
26	1.20.32.65.08000	GEAR POSITION SENSOR	1
27	1.05.01.09.0612	BOLT(M6×12)	1
28	1.20.20.65.23000	BEVEL GEAR SHAFT	1
29	1.00.01.6006	BEARING(6006)	1
30	1.20.20.65.14000	OIL SEAL(φ30×φ40×5)	1
31	1.20.20.65.24000	O-RING(φ59×φ2)	1
32	11330-2300	OUTPUT SHAFT MOUNT	1
33	1.00.01.6305-2RS	BEARING(6305-2RS)	1
34	1.20.20.65.26000	NUT	1
35	1.05.02.11.0825	BOLT((M8×25))	3
36	1.20.04.20.14000	SCREW,TAP	1
37	1.20.04.20.15000	O-RING(φ14×φ2.4)	1
38	1.05.01.09.0616	BOLT(M6×16)	5
39	1.20.20.65.27000	COVER	1
40	11320-2300	O-RING(φ62×φ3)	1
41	1.20.20.65.29000	BOLT(M8×20-L)	1
42	1.20.20.65.30000	WASHER(φ8×φ30×3)	1
43	1.20.20.65.31000	SLEEVE	1
44	1.20.20.65.32000	BEVEL GEAR	1
45	1.20.04.65.22000	WASHER(φ25×φ33×1)	1
46	1.00.01.6205	BEARING(6205)	1
47	1.20.04.01.14000	BOLT(M12×1.5×4)	1
48	1.20.04.01.03000	WASHER(φ12×φ18×1)	1
49	1.20.04.01.09000	GROMMET	1
50	1.20.04.05.09000	GROMMET	1
51	1.05.06.02.2500	CIRCLIP(φ25)	1

SIDE COVER



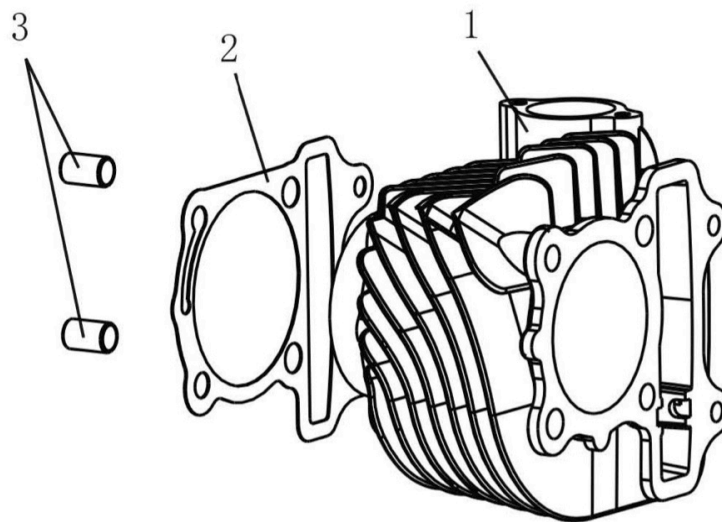
CODE	PART CODE	DESCRIPTION(EN)	QTY
1	1.05.01.0640	BOLT(M6×40)	8
2	2.20.06.65.01001	LEFT COVER	1
3	1.20.06.01.07000	LEFT COVER CUSHION	1
4	1.20.04.01.01000	LOCATING BUSH(φ8×14)	2
5	1.00.01.6200-2RS	BEARING(6200-2RS)	1
6	1.20.06.01.10001	SUCTION MASKS	1

CRANKCASE, RH GEAR MOTOR



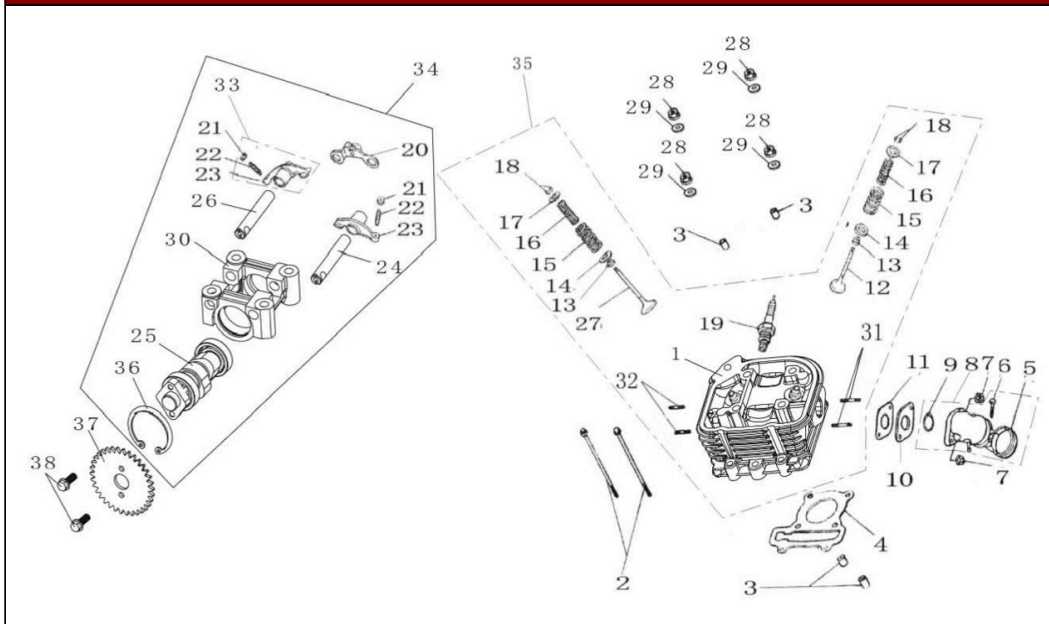
CODE	PART CODE	DESCRIPTION(EN)	QTY
1	2.20.07.01.01000	RIGHT COVER	1
2	1.20.07.01.06000	RIGHT COVER CUSHION	1
3	1.20.04.01.13000	OIL SEAL(ϕ 19.8 \times ϕ 30 \times 5)	1
4	1.20.04.01.01000	LOCATING BUSH(ϕ 8 \times 14)	2
5	1.20.07.01.09000	SCREEN OIL FILTER	1
6	1.20.07.01.03000	SPRING OIL FILTER SCREEN	1
7	1.20.07.01.04000	O-RING(ϕ 30.5 \times ϕ 3)	1
8	1.20.07.01.02000	NUT	1
9	1.05.01.09.0632	BOLT(M6 \times 32)	1
10	1.05.01.09.0695	BOLT(M6 \times 95)	4
11	1.05.01.09.06100	BOLT(M6 \times 100)	1
12	1.05.01.09.06110	BOLT(M6 \times 110)	2
13	1.20.07.01.08000	MAGNETO CLIP	1
14	1.20.07.01.05000	GAUGE OIL LEVEL	1
15	1.20.07.01.07000	O-RING(ϕ 18 \times ϕ 3)	1
16	1.05.01.09.0635	BOLT(M6 \times 35)	1
17	2.20.07.01.99000	RIGHT COVER	1

CYLINDER BLOCK



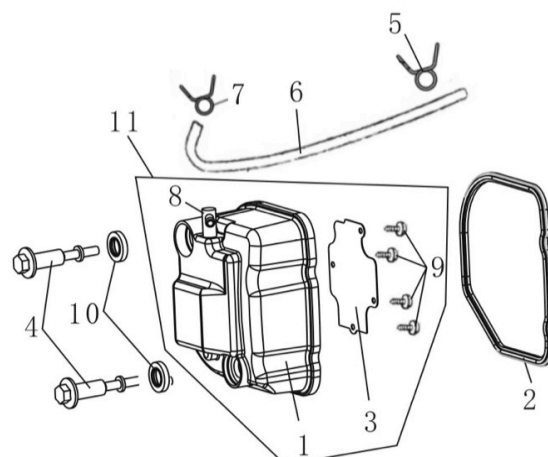
CODE	PART CODE	DESCRIPTION(EN)	QTY
1	1.20.02.09.03000	CYLINDER COMP	1
2	1.20.02.09.01000	CYLINDER CUSHION	1
3	1.20.01.01.01000	LOCATING BUSH(ϕ 10 \times 16)	2

CYLINDER HEAD



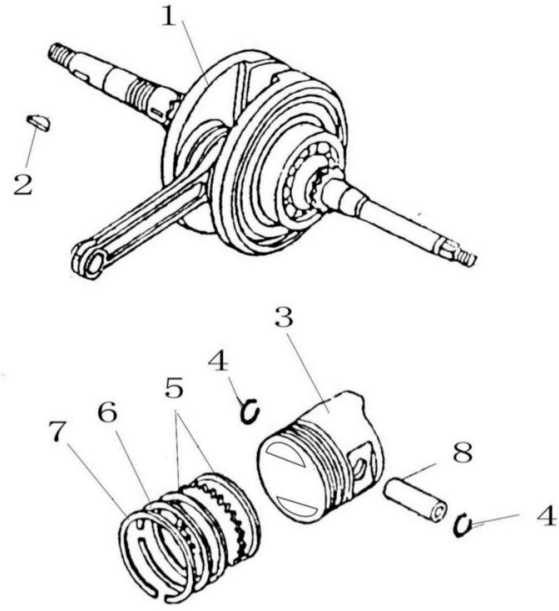
CODE	PART CODE	DESCRIPTION(EN)	QTY
1	2.20.01.09.13000	HEAD COMP CYLINDER	1
2	1.05.01.09.06100	BOLT(M6×100)	2
3	1.20.01.01.01000	LOCATING BUSH(φ10×16)	4
4	1.20.01.09.15000	GASKER CYLINDER HEAD	1
5	1.20.01.01.16010	INTAKE MANIFOLD FOLDER	1
6	1.05.02.01.0425	SCREW,TAP(M4×25)	1
7	1.05.04.02.0600	NUT(M6)	2
8	1.20.01.01.16000	INNER PULP ASSY	1
9	1.00.14.265180	O-RING(φ26.5×φ1.8)	1
10	1.20.01.01.12000	INSULATION PANELS	1
11	1.20.01.01.11000	INSULATOR GASKET	1
12	1.20.01.06.06000	INTAKE VALVE	1
13	1.20.01.01.14000	OIL SEAL	2
14	1.20.01.01.10000	WASHER	2
15	1.20.01.06.09000	VALVE SPRING OUTSIDE	2
16	1.20.01.06.08000	VALVE SPRING WITHIN	2
17	1.20.01.01.05000	VALVE SPRING SEAT	2
18	1.20.01.01.07000	VALVE LOCK CLAMP	4
19	1.20.01.01.17000	PLUG SPARK	1
20	1.20.12.01.05000	KEEP PLATE	1
21	1.20.12.01.04020	NUT	2
22	1.20.12.06.04030	BOLT	2
23	1.20.12.06.04010	ARM VALVE	2
24	1.20.12.06.03000	SHAFT COMP IN ROCKER APM	1
25	1.20.12.06.01000	CAMSHAFT COMP	1
26	1.20.12.06.02000	SHAFT COMP IN ROCKER APM	1
27	1.20.01.06.04000	EXHAUST VALVE	1
28	1.05.04.02.0800	NUT(M8)	4
29	1.20.04.01.06000	WASHER(φ8)	4
30	2.20.12.06.01000	HOLDER CAMSHAFT	1
31	1.20.01.01.03000	STUD(M6×63)	2
32	1.20.01.08.02000	STUD(M8×32)	2
33	1.20.12.06.04000	ARM VALVE	2
34	2.20.12.06.99000	HOLDER CAMSHAFT	1
35	2.20.01.61.99000	HEAD COMP CYLINDER	1
36	1.05.06.01.3500	CIRCLIP(φ35)	1
37	1.20.11.32.02000	TIMING SPROCKET	1
38	1.05.01.08.0512	BOLT(M5×12)	2

COVER COMP CYLINDER HEAD



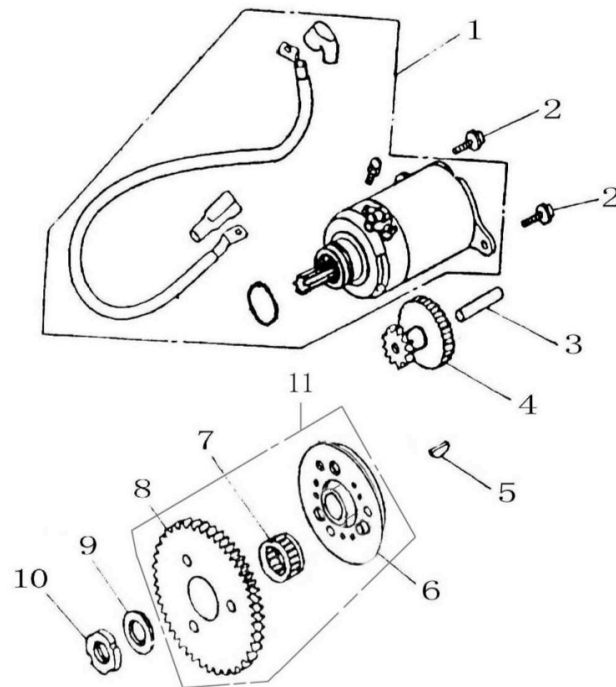
CODE	PART CODE	DESCRIPTION(EN)	QTY
1	2.20.03.06.01000	COVER COMP CYLINDER HEAD	1
2	1.20.03.06.03000	CYLINDER HEAD CUSHION RUBBER	1
3	1.20.03.01.02008	COVER SHEET	1
4	1.20.03.32.30000	BOLT	2
5	1.20.03.01.05010	CLAMP	1
6	1.20.03.01.05000	CYLINDER HEAD TUBE	1
7	1.20.03.01.05020	CLAMP	1
8	1.20.03.01.04000	FITTING ASSEMBLY	1
9	1.05.02.03.04000	SCREW,TAP(ST4.2×8)	4
10	1.20.03.32.31000	WASHER	2
11	2.20.03.06.99000	COVER COMP CYLINDER HEAD	1

CRANKSHAFT CONNECTING ROD, PISTON ASSEMBLY



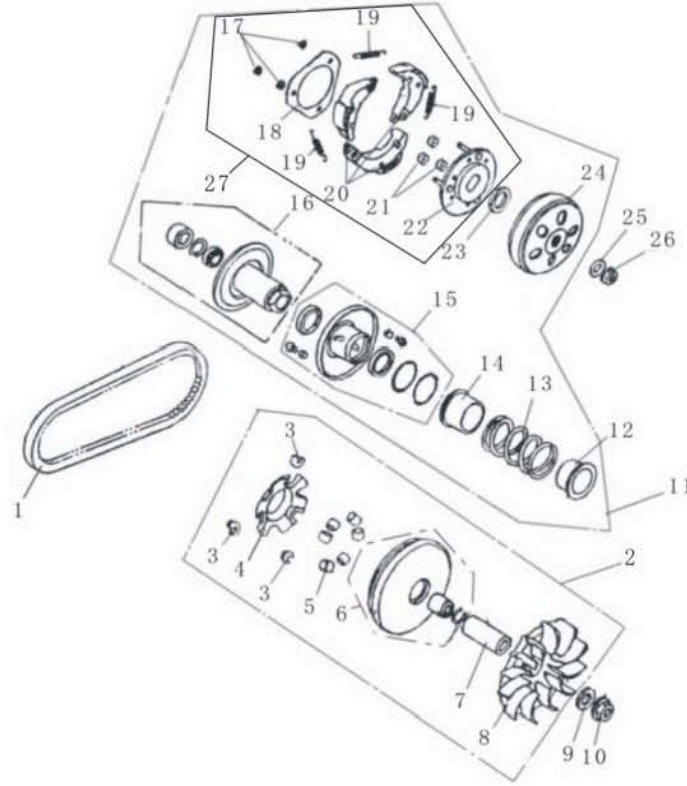
CODE	PART CODE	DESCRIPTION(EN)	Q'TY
1	1.20.09.65.01000	CRANKSHAFT	1
2	1.20.09.01.01010	WOODRUFF KEY	1
3	1.20.10.03.01000	PISTON	1
4	1.20.10.01.04000	PISTON PIN CLASP	2
5		OIL RING COMBINATION	1
6	1.20.10.08.02000	SECONG RINGS	1
7		THE FIRST RING	1
8	1.20.10.08.03000	PIN PISTON	1

ELECTRIC START SYSTEM



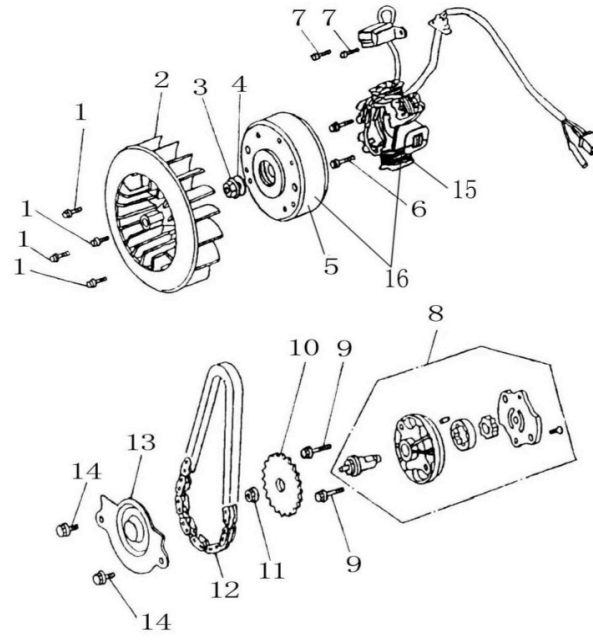
CODE	PART CODE	DESCRIPTION(EN)	Q'TY
1	1.20.18.01.01000	STARTING MOTOR	1
2	1.05.01.09.0616	BOLT(M6×16)	2
3	1.20.18.01.02000	GEAR SHAFT	1
4	1.20.18.01.03000	GEAR STAER EDUCTION	1
5	1.20.09.01.01010	WOODRUFF KEY	1
6	1.20.19.08.01020	CLUTCH ASSY	1
7	1.20.19.01.01040	BEARING NEEDLE	1
8	1.20.19.03.01030	GEAR KICK DDRIVEN	1
9	1.20.19.01.03000	WASHER	1
10	1.20.19.01.02000	NUT(SM22×1-L)	1
11	1.20.19.08.01000	CLUTCH ASSY	1

LORD, THE DRIVEN PULLEY ASSEMBLY



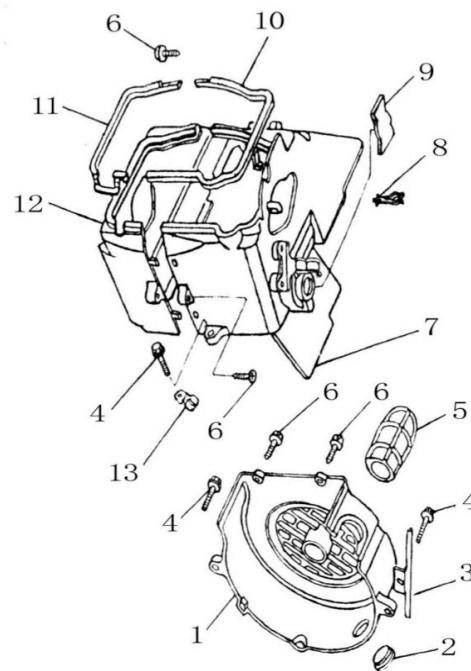
CODE	PART CODE	DESCRIPTION(EN)	QTY
1	1.20.22.03.02000	BELT	1
2	1.20.21.01.01000	DRIVE WHEEL	1
3	1.20.21.01.01060	LANG BLOCK	3
4	1.20.21.01.01050	DRAG THE FLANGE	1
5	1.20.21.01.01040	BALL	6
6	1.20.21.01.01030	LORD SLIDING WHEELSET	1
7	1.20.21.01.01020	Bush	1
8	1.20.21.01.01010	LORD FIXDE WHEELSET	1
9	1.20.17.65.03001	WASHER(ϕ 12.5 \times ϕ 25 \times 7)	1
10	1.05.04.10.1213	NUT(M12 \times 1.25 H=10)	1
11	1.20.22.01.01000	DRIVEN WHEEL	1
12	1.20.22.01.01070	SPRING SEAT COVER	1
13	1.20.22.01.01040	PRESSRUER SPRING	1
14	1.20.22.01.01010	OIL SEAL	1
15	1.20.22.01.01090	LEFT THE DRIVEN PULLEY	1
16	1.20.22.01.01120	RIGHT DRIVEN PULLEY	1
17	1.05.06.04.0700	CIRCLIP(ϕ 7)	3
18	1.20.22.01.01080	CLUTCH SIDE PANELS	1
19	1.20.22.01.01060	CLUTCH RETURN SPRING	3
20	1.20.22.01.01140	COMBINATION OF CENTRIFUGAL BLOCK	3
21	1.20.22.01.01130	DAMPING BLOCK	3
22	1.20.22.01.01160	COMBINATION OF DRIVER BOARD	1
23	1.20.22.01.01050	NUT	1
24	1.20.22.01.01150	CLUTCH HUB	1
25	1.05.05.04.1200	WASHER(ϕ 12.3 \times ϕ 29 \times 2.5)	1
26	1.05.04.10.1212	NUT(M12 \times 1.25 H=8)	1
27	1.20.22.01.01210	CLUTCH SHOE	1

MAGNETO & PUMP ASSY OIL



CODE	PART CODE	DESCRIPTION(EN)	Q'TY
1	1.05.01.09.0618	BOLT(M6×18)	4
2	1.20.24.01.06000	FAN IMPELLER	1
3	1.05.04.10.1213	NUT(M12×1.25 H=10)	1
4	1.05.05.04.1201	WASHER(12-14HV)	1
5	1.20.16.01.01021	FLYWHEEL(DC 8)	1
6	1.05.01.09.0620	BOLT(M6×20)	2
7	1.05.01.08.0512	BOLT(M5×12)	2
8	1.20.14.01.03000	PUMP ASSY OIL	1
9	1.05.01.09.0625	BOLT(M6×25)	2
10	1.20.14.01.01000	CHAIN OIL PUMP	1
11	1.05.04.02.0600	NUT(M6)	1
12	1.20.14.01.04000	CHAIN OIL PUMP	1
13	1.20.14.01.02000	SPROCKET COVER	1
14	1.05.04.09.0612	BOLT(M6×12)	2
15	1.20.16.01.01011	MAGNETO STATOR(DC 8)	1
16	1.20.16.01.01001	MAGNETO(DC 8)	1

UPSIDE WIND SCOOPER



CODE	PART CODE	DESCRIPTION(EN)	Q'TY
1	1.20.24.03.03000	VOLUTE FAN ASSY	1
2	1.20.24.01.03020	WINDOW PLUG	1
3	1.20.24.01.04000	CABLE CLAMP	1
4	1.05.01.09.0625	BOLT(M6×25)	3
5	1.20.24.01.03010	COOLING DUCTS	1
6	1.05.02.15.4816	SCREW,TAP(ST4.8×16-F-H)	5
7	1.20.24.06.01020	UPSIDE WIND SCOOPER	1
8	1.20.24.01.01040	CLIP HIGH TENSION CORD	1
9	1.20.24.01.01030	RUBBER COVER	1
10	1.20.24.01.01010	UPSIDE WIND SCOOPER HERMETIC SEAL	1
11	1.20.24.01.02020	UNDERSIDE COWLING FAN HERMETIC SEAL	1
12	1.20.24.06.02000	UNDERSIDE COWLING FAN	1
13	1.20.24.01.05000	OVERFLOW PIPE CLIP	1