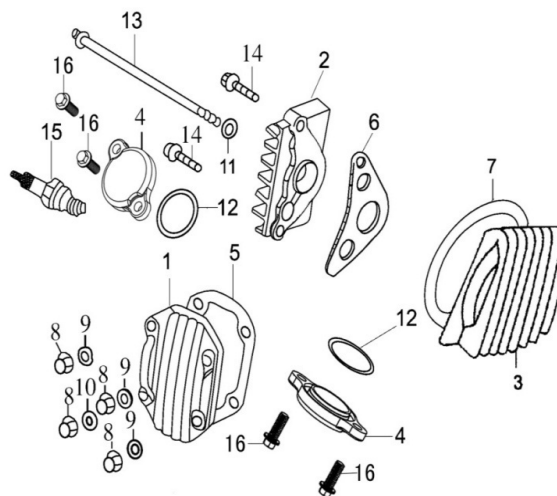


## CF125 Engine Catalogue

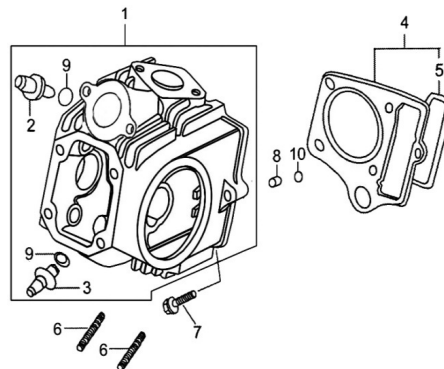
### 1. CYLINDER HEAD COVER

REF.No.	PART No.	DESCRIPTION	QTY
1	12311/1P50FMG	Cover, cylinder head	1
2	12240/1P50FMG	Cover comp., cylinder head, RH	1
3	12242/1P50FMG-3	Cover, cylinder head, LH	1
4	12243/1P50FMG	Cover, valve	2
5	12312/1P50FMG	Gasket, cylinder head cover	1
6	12244/1P50FMG	Gasket, cylinder head cover, RH	1
7	12245/1P50FMG	Gasket, cylinder head cover, LH	1
8	12313/1P50FMG	Nut, cap	4
9	12344/1P50FMG	Washer, cylinder bolt steel	3
10	12345/1P50FMG	Washer, cylinder bolt copper	1
11	12248/1P50FMG	Washer, cylinder head cover, RH	1
12	12246/1P50FMG	O-ring, valve cover	2
13	GB/T 16674.1	Bolt M6×110	1
14	GB/T 16674.1	Bolt M6×20	2
15	34210/1P50FMG	Plug, spark (A7TC)	1
16	GB/T 16674.1	Bolt M6×16	4



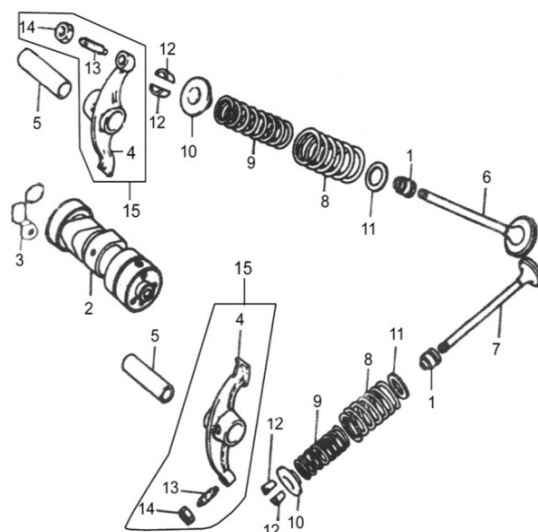
### 2. CYLINDER HEAD

REF.No.	PART No.	DESCRIPTION	QTY
1	12210	Cylinder Head Set	1
2	12214/1P50FMG	Inlet Valve Guide	1
3	12215/1P50FMG	Exhaust Valve Guide	1
4	12220/1P52FMI	Gasket, Cylinder Head	1
5	12211/1P52FMI-B	Cylinder Head	1
6	GB898-88	Bolt M6×34	2
7	GB/T29.2-88	Bolt M6×23	1
8	15441/1P52FMI	Bushing	1
9	12216/1P50FMG	O-Ring, Guide	2
10	15442/1P50FMG	Rectangular Ring	1



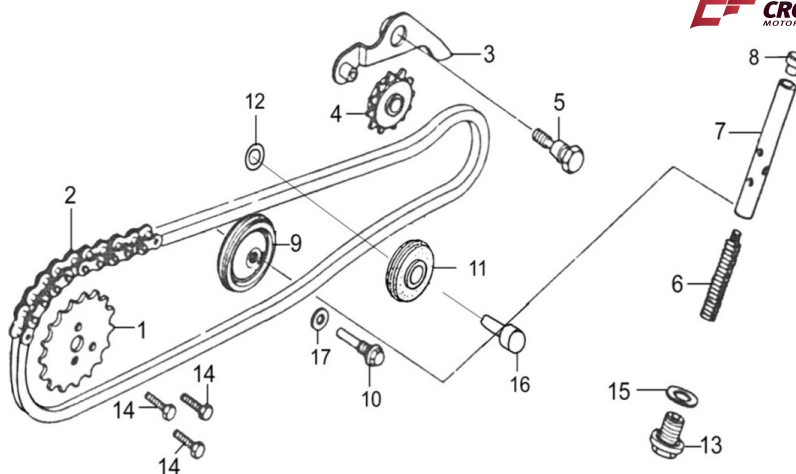
### 3. CAMSHAFT & VALVE

REF.No.	PART No.	DESCRIPTION	QTY
1	14730/1P50FMG	Oil Seal, Valve Stem	2
2	14100/1P50FMG-B	Camshaft Comp.	1
3	14150/1P50FMG-3	Auto Reductor Limit Plate	1
4	14411/1P50FMG	Valve Rocker Arm	2
5	14413/1P50FMG	Rocker Shaft	2
6	14710/1P54FMI	Inlet Valve	1
7	14720/1P54FMI	Exhaust Valve	1
8	14755/1P50FMG	Outer Valve Spring	2
9	14756/1P50FMG	Inner Valve Spring	2
10	14751/1P50FMG	Spring Upper Retainer	2
11	14753/1P50FMG	Outer Spring Retainer	2
12	14752/1P50FMG	Valve Clamp	4
13	14415/1P50FMG	Valve Adjusting Screw	2
14	14416/1P50FMG	Locking Nut	2
15	14410/1P50FMG	Rocker Arm Set	2



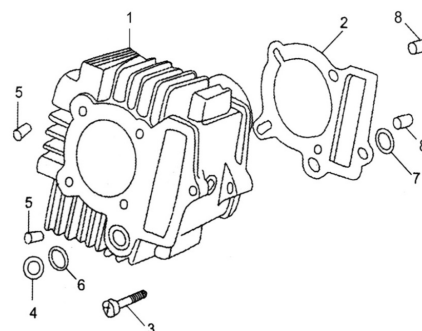
### 4. TIMING CHAIN & TENSIONER

REF.No.	PART No.	DESCRIPTION	QTY
1	14321/1P50FMH	Timing Driven Sprocket (32T)	1
2	14350/1P50FMH	Timing Chain	1
3	14670/1P50FMG	Tensioning Arm Set	1
4	14680/1P50FMG	Chain Tensioner	1
5	14661/1P50FMG	Screw, Tensioning Arm	1
6	14513/1P50FMG	Spring, Chain Adjusting Set	1
7	14530/1P50FMG	Pole, Chain Adjusting Set	1
8	14514/1P50FMG	Cap, Chain Adjusting Set	1
9	14610/1P50FMG	Chain Guide Roller	1
10	14621/1P50FMH	Pivot, Guide Chain Roller	1
11	14630/1P50FMH	Roller	1
12	14642/1P50FMH	Washer	1
13	14518/1P50FMG	Sealing Plug M14×1.5	1
14	GB/T5783-2000	Bolt M5×12	3
15	14519/1P50FMG	Gasket, Chain Adjusting Set	1
16	14643/1P50FMH	Roller Pivot	1
17	14622/1P50FMG	Washer 8	1



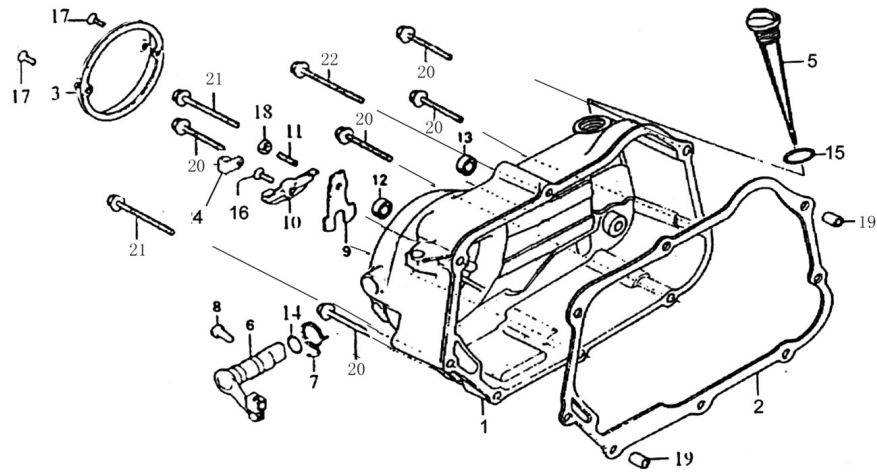
### 5. CYLINDER

REF.No.	PART No.	DESCRIPTION	QTY
1	12112	Cylinder Block	1
2	12121/1P52FMI	Gasket, Cylinder Block	1
3	GB/T29.2	Bolt M6×23	1
4	12135	Washer	1
5	12218	Dowel Pin 8×14	2
6	12133	Sealing washer (No.1) 14.5×2.5	1
7	12134	Sealing washer (No.2) 11.5×2.6	1
8	11318	Dowel Pin 8×12	2



## 6. RIGHT CRANKCASE COVER

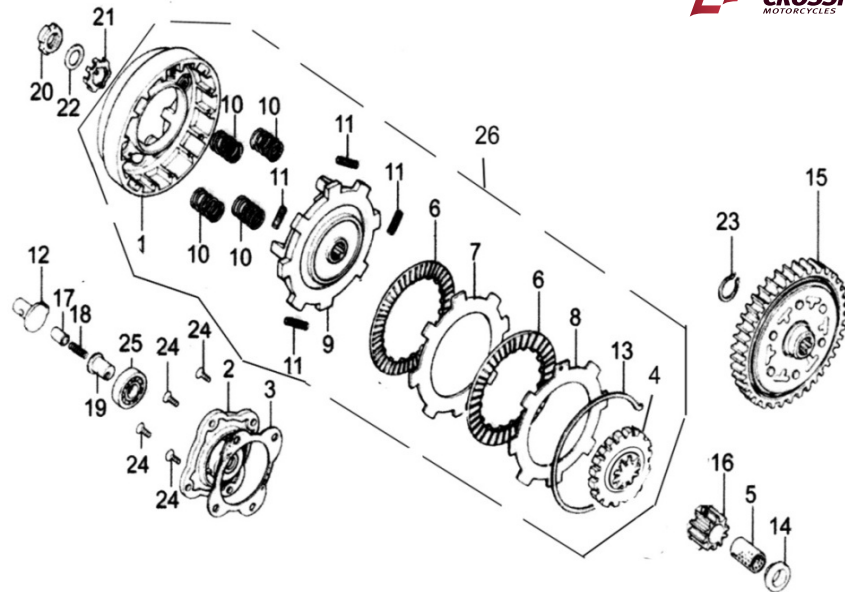
REF.No.	PART No.	DESCRIPTION	QTY
1	11310/1P50FMG	Cover comp., crankcase, RH	1
2	11319/1P50FMG	Gasket, crankcase cover, RH	1
3	11331/1P50FMG	Lid, small, RH	1
4	34931/1P50FMG	Clip, ignition coil wire	1
5	15611/1P50FMG	Dipstick, plastic	1
6	22810/1P50FMG	Lever comp., clutch	1
7	22821/1P50FMG	Spring, clutch lever	1
8	22825/1P50FMG	Pin, clutch lever	1
9	22826/1P50FMG	Detent, clutch	1
10	22827/1P50FMG	Plate, clutch lever pressure	1
11	22851/1P50FMG	Screw, clutch adjusting	1
12	22830/1P50FMG	O-ring, clutch lever	1
13	27190/1P50FMG	Oil seal, starting shaft	1
14	22823/1P50FMG	O-ring, clutch lever	1
15	15612/1P50FMG	O-ring, dipstick	1
16	GB/T 819.1	Screw M6×16	1
17	GB/T 69	Screw M5×12	2
18	GB/T 6170	Nut M6	1
19	11318/1P50FMG	Dowel pin, crankcase cover, RH	2
20	GB/T 16674.1	Bolt M6×40	5
21	GB/T 16674.1	Bolt M6×80	2
22	GB/T 16674.1	Bolt M6×65	1



**CROSSFIRE**  
MOTORCYCLES

## 7. CLUTCH

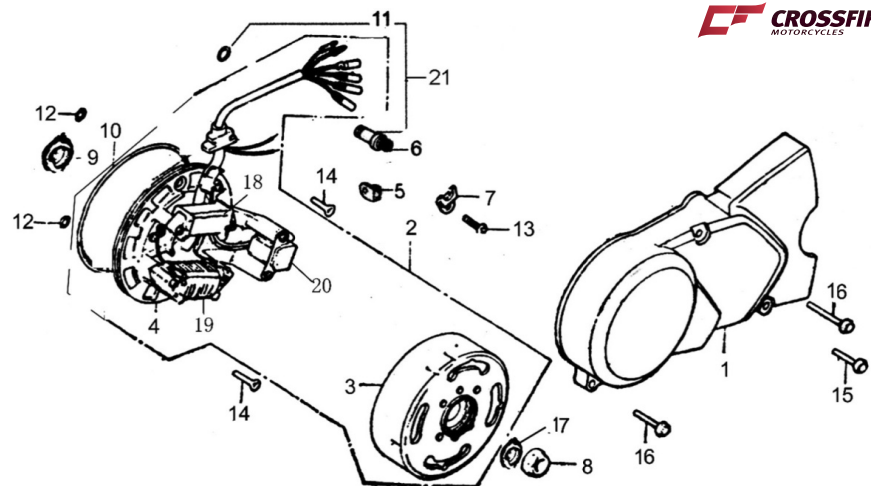
REF.No.	PART No.	DESCRIPTION	QTY
1	22114/1P50FMG	Cowl, clutch	1
2	22361/1P50FMG	Plate, clutch lifter	1
3	22362/1P50FMG	Gasket, clutch lifter plate	1
4	22322/1P50FMG	Sleeve, clutch drive gear outer	1
5	22622/1P50FMG	Bush, primary drive gear	1
6	22340/1P50FMG	Plate set, clutch	2
7	22331/1P50FMG	Disc I, clutch friction	1
8	22381/1P50FMG	Disc II, clutch friction	1
9	22111/1P50FMG	Disc, clutch	1
10	22371/1P50FMG	Spring, clutch	4
11	22375/1P50FMG	Spring, clutch damping	4
12	22860/1P50FMG	Pusher comp., clutch	1
13	22376/1P50FMG	Snap ring, clutch	1
14	22374/1P50FMG	Washer, clutch	1
15	22610/1P50FMG	Gear comp., primary driven	1
16	22621/1P50FMG	Primary Drive Gear Set	1
17	15431/1P50FMG	Oil Tube	1
18	15432/1P50FMG	Spring	1
19	15433/1P50FMG	Sleeve	1
20	22631/1P50FMG	Lock Nut	1
21	22632/1P50FMG	Thrust Washer	1
22	22633/1P50FMG	Washer	1
23	22634/1P50FMG	Snap Ring	1
24	GB/T819.1	Screw M5×12	4
25	GB/T276	Bearing 6000	1
26	22100/1P50FMG	Clutch Body	1



**CROSSFIRE**  
MOTORCYCLES

## 8. LEFT CRANKCASE COVER & MAGNETO

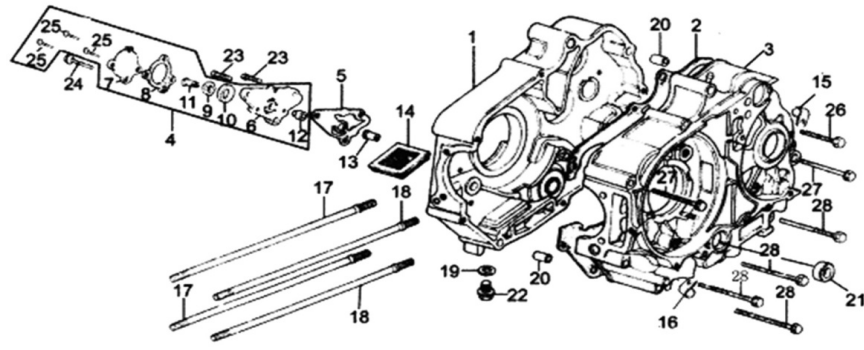
REF.No.	PART No.	DESCRIPTION	QTY
1	11411/1P50FMG	Crankcase Cover, LH	1
2	31100/1P50FMG	Magneto	1
3	31110/1P50FMG	Rotor Set	1
4	31210/1P50FMG	Stator Set	1
5	35739/1P50FMG	Wire Seal Block	1
6	35710/1P50FMG	Indicator, Neutral	1
7	35721/1P50FMG	Press Plate	1
8	31311/1P50FMG	Lock Nut M10×1.25	1
9	13190/1P50FMG	Seal oil 18.9×30×5	1
10	31915/1P50FMG	O-ring 107×2	1
11	35723/1P50FMG	O-ring 7×1.7	1
12	31916/1P50FMG	O-ring 6.5×1.9	2
13	GB/T818	Screw M6×12	1
14	GB/T6190	Screw M6×14	2
15	GB/T16674	Bolt M6×28	1
16	GB/T16674	Bolt M6×35	2
17	31312/1P50FMG	Washer	1
18	31260/1P50FMG	Charge Coil	1
19	31240/1P50FMG	Illumination Coil	1
20	31280/1P50FMG	Induced Coil	1
21	35720/1P50FMG	Neutral Indicator Set	1



**CROSSFIRE**  
MOTORCYCLES

### 9. Crankcase & Oil Pump

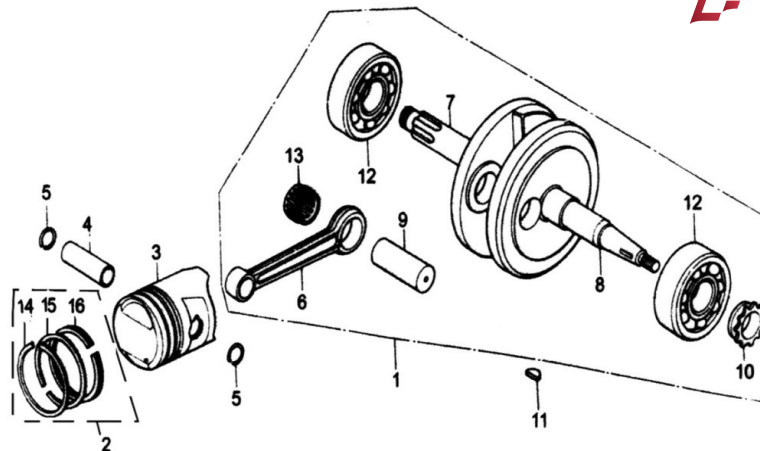
REF.No.	PART No.	DESCRIPTION	QTY
1	11110/1P50FMG	Crankcase comp., RH	1
2	11119/1P50FMG	Gasket,Crankcase	1
3	11210/1P50FMG	Crankcase comp., LH	1
4	15100/1P50FMG	Pump Assy, oil	1
5	15131/1P50FMG	Gasket, oil pump	1
6	15111/1P50FMG	Housing, oil pump	1
7	15112/1P50FMG	Cover, oil pump	1
8	15113/1P50FMG	Gasket, oil pump cover	1
9	15114/1P50FMG	Rotor, oil pump inner	1
10	15115/1P50FMG	Rotor, oil pump outer	1
11	15116/1P50FMG	Shaft, oil pump	1
12	15117/1P50FMG	Bush, oil pump shaft	1
13	15221/1P50FMG	Bush, oil pump sprocket	1
14	15450/1P50FMG	Gauze set	1
15	20154/1P50FMG	Clip II, crankcase exhaust pipe	1
16	11217/1P50FMG	Clamp, engine wire	1
17	12342/1P50FMG	Bolt A, cylinder	2
18	12343/1P50FMG	Bolt B, cylinder	2
19	11213/1P50FMG	Washer, plug drain	1
20	11118/1P50FMG	Dowel pin, crankcase	2
21	24190/1P50FMG	Oil seal, gearshift shaft	1
22	11212/1P50FMG	Plug, crankcase drain	1
23	GB/T 818	Crown Bolt M6×16	2
24	GB/T 818	Crown Bolt M6×22	1
25	GB/T 818	Crown Bolt M6×10	3
26	GB/T 16674.1	Crown Bolt M6×50	1
27	GB/T 16674.1	Crown Bolt M6×60	2
28	GB/T 16674.1	Crown Bolt M6×65	4



**CROSSFIRE**  
MOTORCYCLES

### 10. Crankshaft & Piston

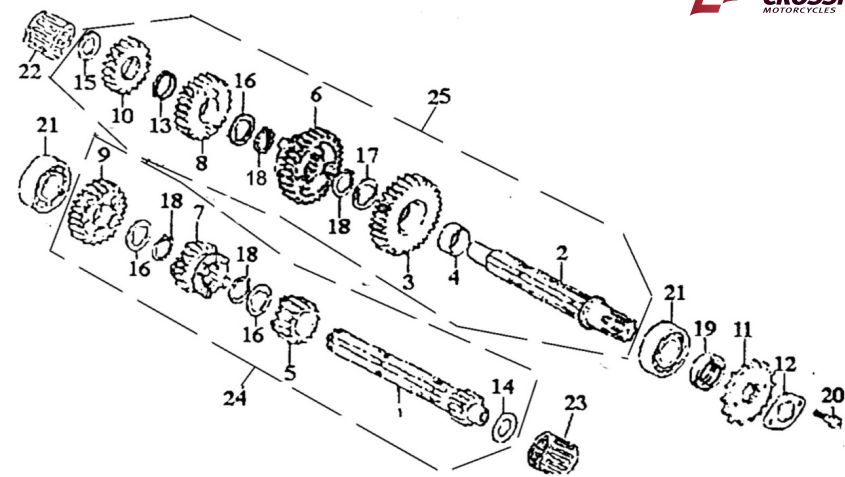
REF.No.	PART No.	DESCRIPTION	QTY
1	13100/1P50FMG	Crankshaft & connecting rod	1
2	13300	Ring set, piston	1
3	13211	Piston	1
4	13221	Pin, piston	1
5	13222/1P50FMG	Circlip, piston pin	2
6	13131/1P50FMG	Rod, connecting	1
7	13121/1P50FMG	Crank, RH	1
8	13111/1P50FMG	Crank, LH	1
9	13141/1P50FMG	Pin, crank	1
10	14311/1P50FMG	Sprocket, timing drive	1
11	13118/1P50FMG	Key, crakhsaft woodruff	1
12	GB/T 276	Bearing 6304	2
13	13150/1P50FMG	Bearing, connecting rod big end	1
14	13311	Ring I, piston	1
15	13312	Ring II, piston	1
16	13320	Oil Ring,3-piece	1



**CROSSFIRE**  
MOTORCYCLES

### 11. Transmission

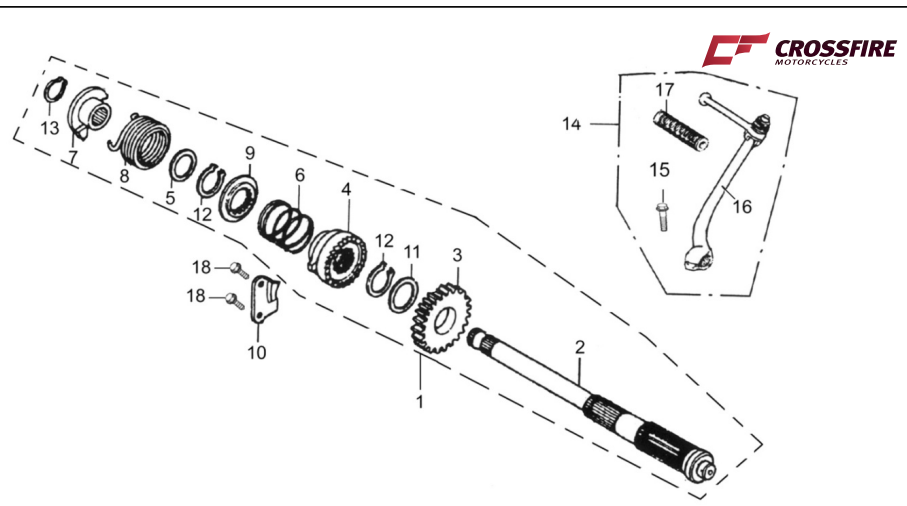
REF.No.	PART No.	DESCRIPTION	QTY
1	23611/1P50FMG	Mainshaft	1
2	23771/1P50FMG	Countershaft	1
3	23711/1P50FMG	Gear, countershaft 1st	1
4	23712/1P50FMG	Bush, countershaft 1st gear	1
5	23621/1P50FMG	Gear, mainshaft 2nd	1
6	23721/1P50FMG	Gear, mainshaft 2nd	1
7	23631/1P50FMG	Gear, mainshaft 3rd	1
8	23731/1P50FMG	Gear, countershaft 3rd	1
9	23641/1P50FMG	Gear, mainshaft 4th	1
10	23741/1P50FMG	Gear, countershaft 4th	1
11	22711/1P50FMG	Sprocket, output	1
12	22712/1P50FMG	Plate, output sprocket fixing	1
13	23773/1P50FMG	Washer, countershaft	1
14	23674/1P50FMG	Washer, mainshaft	1
15	23774/1P50FMG	Washer II, countershaft	1
16	23675/1P50FMG	Washer, mainshaft spline	3
17	23775/1P50FMG	Washer, countershaft spline	1
18	23672/1P50FMG	Circlip, mainshaft	4
19	23790/1P50FMG	Oil seal, countershaft	1
20	GB/T 5783	Bolt M6×8	2
21	GB/T 276	Bearing 6203	2
22	23780/1P50FMG	Bearing, cuntershaft, RH	1
23	23680/1P50FMG	Bearing, mainshaft, LH	1
24	23600/1P50FMG	Bearing, mainshaft, LH	1
25	23700/1P50FMG	Countershaft comp.	1



**CROSSFIRE**  
MOTORCYCLES

## 12. Start Device

REF.No.	PART No.	DESCRIPTION	QTY
1	27100/1P50FMG	Shaft Assy, starting	1
2	27111/1P50FMG	Shaft, starting	1
3	27151/1P50FMG	Gear, starting	1
4	27113/1P50FMG	Ratchet	1
5	27114/1P50FMG	Washer I, starting shaft	1
6	27115/1P50FMG	Spring, starting shaft	1
7	27117/1P50FMG	Seat, starting shaft spring	1
8	27118/1P50FMG	Sparing, starting return	1
9	27121/1P50FMG	Seat, ratchet spring	1
10	27131/1P50FMG	Guide, ratchet	1
11	27141/1P50FMG	Washer II, starting shaft	1
12	27142/1P50FMG	Snap ring, starting shaft	2
13	22634/1P50FMG	Retainer, primary driven gear	1
14	27700/1P50FMG	Kick-starter Assy	1
15	GB/T 5783	Bolt M6×20	1
16	27710/1P50FMG	Rod comp., starter	1
17	27713/1P50FMG	Boot, starting foot bar	1
18	GB/T 5783	Bolt M6×20	2



## 13. Gearshift Drum

REF.No.	PART No.	DESCRIPTION	QTY
1	24100/1P50FMG	Gear shaft set	1
2	24110/1P50FMG	Gear shaft assy	1
3	24114/1P50FMG	Gear shaft set	1
4	24115/1P50FMG	Assistant board set	1
5	24121/1P50FMG	Set	1
6	24122/1P50FMG	Spring	1
7	24123/1P50FMG	Spring	1
8	24125/1P50FMG	Guide sleeve	1
9	24131/1P50FMG	Diaplasis Spring mechanism screw	1
10	24190/1P50FMG	Seal ( 11.6×24×10 )	1
11	24200	Drum assemblage assy	1
12	24211	Drum	1
13	24212	Pin	5
14	24213	Limit plate	1
15	24221	Gear shaft	1
16	24310/1P50FMG-3	Anti-Moving set	1
17	24323/1P50FMG-3	Limit spring	1
18	24411	Fork	2
19	24414	pin	2
20	24415	Split pin	2
21	2028101070100	Pedal set	1
22	GB5873-86	Bolt M6×20	1
23	02028101070100	lever, gear shift	1
24	35730	Switch Assy	1
25	35760/1P50FMG	Rotator assy	1
26	GB70-85	Bolt M2×20	1
27	GB819-86	Screw M4×16	1
28	GB93-87	Pring washer 6	1

