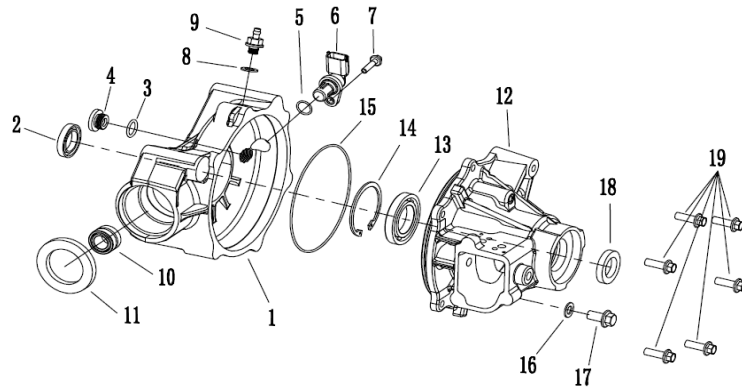


Rubicon 500 Differential Parts Catalogue

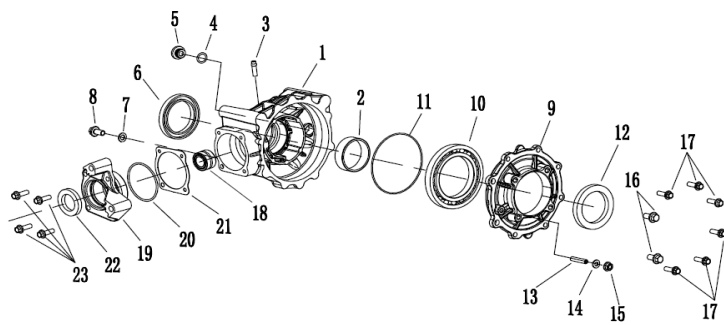
FRONT AXLE HOUSING GROUP

REF.No.	PART No.	DESCRIPTION	QTY
1	29611-5010	FRONT AXLE LEFT CASE	1
2	9911-254000	OIL SEAL 25×40×7	1
3	9921-251650	O-RING φ16.5×φ2.5	1
4	9313-181003	BOLT M18×1.5×10	1
5	9921-151550	O-RING φ15.5×φ1.5	1
6	29660-5010	SPEED SENSOR	1
7	9111-060163	BOLT,FLANGE	1
8	9513-101800	ALUNINUM PAD	1
9	29670-5010	JOINT, BREATHER PIPE	1
10	NA5903GB/T5801-2006	NEEDLE BEARING	1
11	9911-456800	OIL SEAL 45×68×8	1
12	29621-5010	FRONT AXLE RIGHT CASE	1
13	16007GB/T276-94	BEARING 16007	1
14	9562-620207	CIRCLIP	1
15	9921-30A600	O-RING φ160×φ3	1
16	9513-101800	ALUNINUM PAD	1
17	9111-100123	BOLT,FLANGE	1
18	9911-254000	OIL SEAL 25×40×7	1
19	9113-080253	BOLT,FLANGE	6



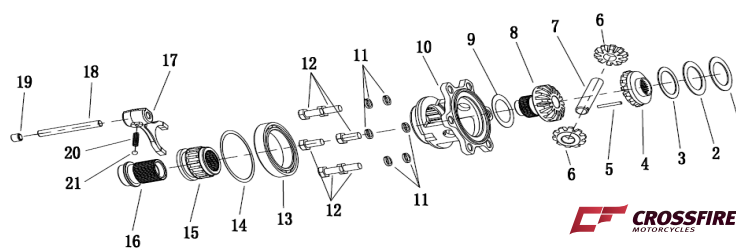
REAR AXLE HOUSING GROUP

REF.No.	PART No.	DESCRIPTION	QTY
1	29710-5010	REAR AXLE CASE	1
2	9711-556800	NEEDLE BEARING CAGE	1
3	29781-5010	JOINT, BREATHER PIPE	1
4	9921-251650	O-RING φ16.5×φ2.5	1
5	9313-181003	BOLT,FLANGE	1
6	9911-659000	OIL SEAL 65×90×10	1
7	9513-101800	ALUNINUM PAD	1
8	9111-100123	BOLT M10×1.25×12	1
9	29721-5010	REAR AXLE SIDE COVER	1
10	16017GB/T276-94	BEARING 16017	1
11	9921-301500	O-RING φ150×φ3.0	1
12	9911-659000	OIL SEAL 65×90×10	1
13	9362-084507	HEX SCREW M8×45	1
14	9513-081600	ALUNINUM PAD	1
15	9411-080703	NUT M8	1
16	9111-100253	BOLT,FLANGE	2
17	9113-080253	BOLT,FLANGE	6
18	NA5903GB/T5801-2006	NEEDLE BEARING	1
19	29731-5010	BEVEL GEAR BEARING HOUSING	1
20	9921-306300	O-RING φ63×φ3	1
21	29791-5010	ADJUST WASHER	1
22	9911-355500	OIL SEAL 35×55×8	1
23	9113-080253	BOLT,FLANGE	4



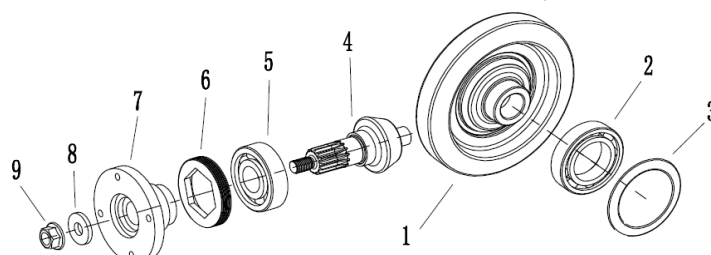
DIFFERENTIAL GROUP

REF.No.	PART No.	DESCRIPTION	QTY
1	9511-395607	ADJUST WASHER C	1
2	9571-405707	FRICTION PAD	1
3	9522-405307	WASHER	1
4	27421-5010	LEFT HALF AXLE GEAR	1
5	9616-043007	PIN	1
6	27441-5010	PLANT GEAR	2
7	27493-5010	PLANT GEAR SHAFT	1
8	27431-5010	RIGHT HALF AXLE GEAR	1
9	9511-485807	ADJUST WASHER D	1
10	27411-5010	DIFFERENTIAL CASE	1
11	9521-101607	SPRING PAD 10	6
12	9121-100203	HEXAGON HEADED BOLT	6
13	61913GB/T276-94	BEARING 61913	1
14	9511-788807	ADJUST WASHER A	1
15	29691-5010	DRIVE CLUTCH	1
16	29692-5010	DRIVE CLUTCH COVER	1
17	29681-5010	FRONGT AXLE FORK	1
18	29693-5010	FORK SHAFT	1
19	9362-121003	SCREW M12×10	1
20	9811-050150	FORK SPRING	1
21	9031-200000	STEEL BALL	1



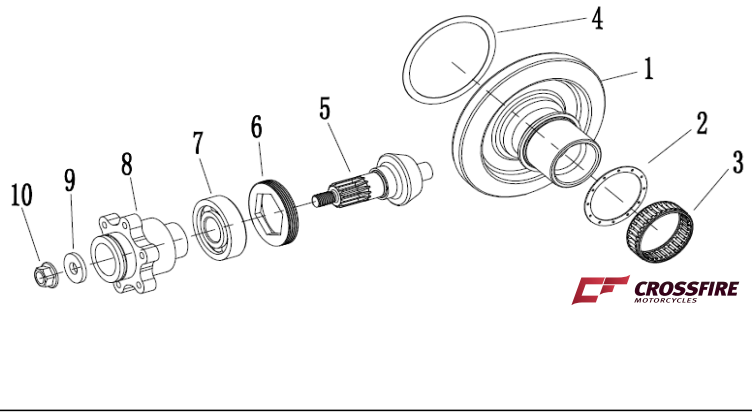
E14 GEARSHIFT GROUP (FRONT AXLE)

REF.No.	PART No.	DESCRIPTION	QTY
1	29640-5010	DRIVEN BEVEL GEAR FRONT ASLE	1
2	6008GB/T276-94	BEARING 6008	1
3	9511-546607	ADJUST WASHER B	1
4	29631-5010	DRIVE PINION GEAR	1
5	TM6305GB/T276-94	BEARING 6305	1
6	9432-651007	BEARING RETAINER	1
7	29651-5010	COUPLER	1
8	9511-123003	WASHER 12	1
9	9412-121203	NUT FLANGE	1



GEARSHIFT GROUP (REAR AXLE)

REF.No.	PART No.	DESCRIPTION	QTY
1	29750-5010	DRIVEN BEVEL GEAR REAR ASLE	1
2	9511-556700	ADJUST WASHER E	1
3	K556120GB/T5801-2006	NEEDLE BEARING	1
4	9511-861000	ADJUST WASHER G	1
5	29740-5010	DRIVE BEVEL GEAR	1
6	9432-651007	BEARING RETAINER	1
7	TM6305GB/T276-94	BEARING 6305	1
8	29771-5010	COUPLER, REAR AXLE	1
9	9511-123003	WASHER	1
10	9412-121203	NUT FLANGE	1



TWO-FOUR-DRIVE CONVERSION MECHANISM FOR GROUP

REF.No.	PART No.	DESCRIPTION	QTY
1	27710-5010	GEAR MOTOR	1
2	27791-5010	RING	1
3	9613-081000	DOWEL PIN	2
4	9111-060253	BOLT, FLANGE	3
5	38760-5010	CONNTACT COMPONENTS	1
6	38741-5010	GASKET	1
7	9323-051507	SCREW	2
8	38730-5010	CONTACT WIRE	1
9	9511-040803	WASHER	3
10	9521-040707	SPRING PAD 4	3
11	9421-040303	HEX NUT	3
12	38751-5010	CONTACT COVER	1
13	9511-040803	WASHER	2
14	9521-040707	SPRING PAD	2
15	9342-042203	SCREW	2
16	38710-5010	DIFFERENTIAL CONTROLLER	1

