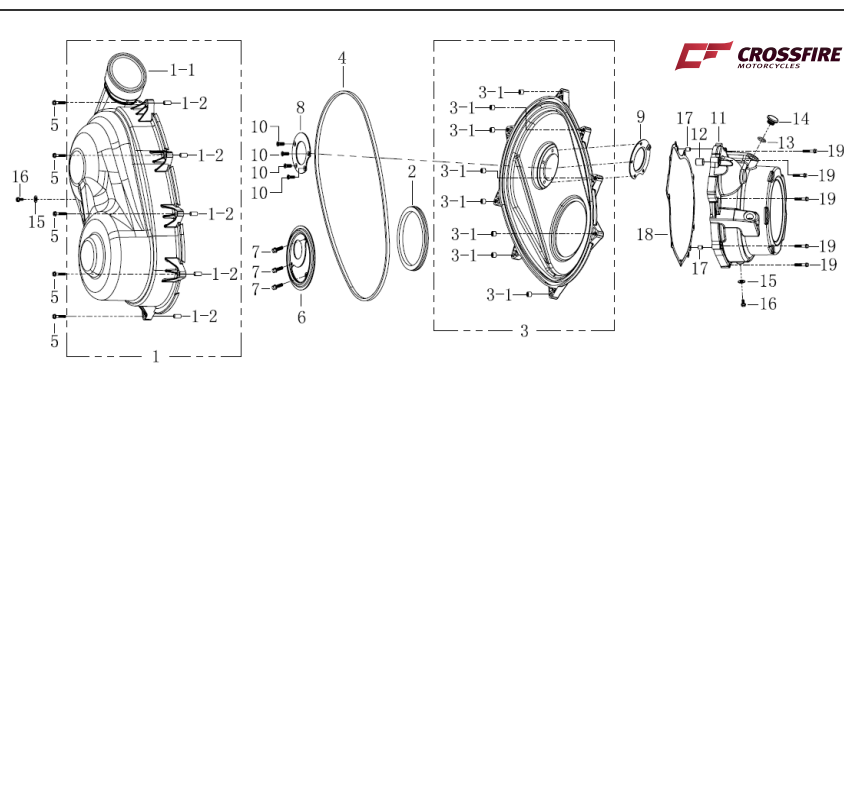
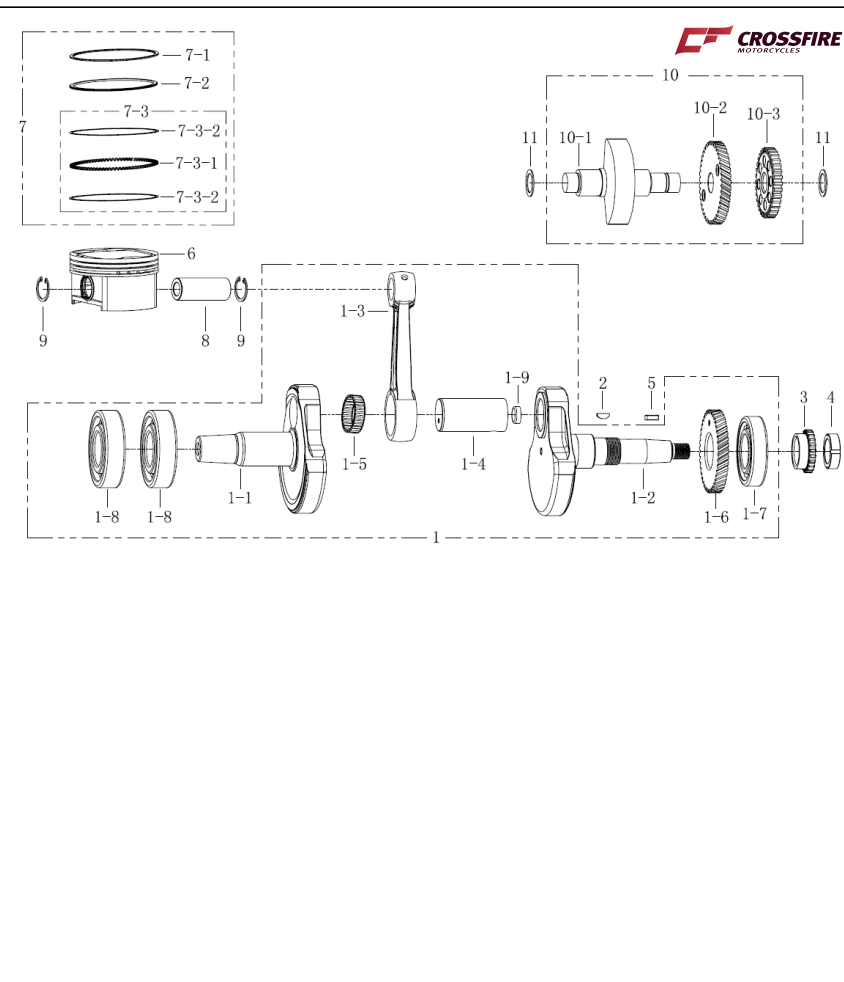


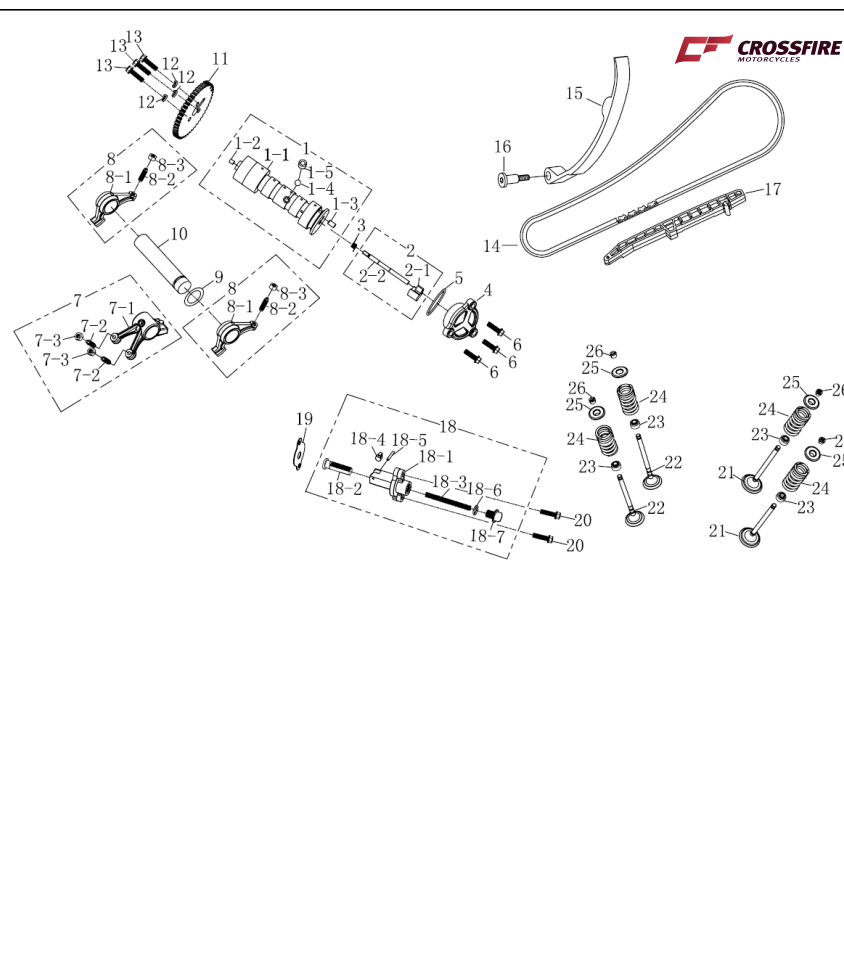
COVER GROUP			
REF.No.	PART No.	DESCRIPTION	QTY
1	11330-5020	UPPER LEFT COVER ASSY	1
40544	11331-5020	UPPER LEFT COVER	1
40545	9711-071603	BUSH	8
2	11332-5020	GASKET,CVT COVER	1
3	11340-5020	CVT COVER,LEFT(LOWER)	1
40603	9713-061303	BUSH. SCREW THREAD	8
4	11333-5020	SEAL, CVT COVER	1
5	9113-060323	BOLT,FLANGE	8
6	11441-5020	BRACKET,SEAL,CRANK	1
7	9111-060183	BOLT,FLANGE	3
8	11442-5020	BRACKET,SEAL,SHAFT (UPPER)	1
9	11443-5020	BRACKET,SEAL,SHAFT (LOWER)	1
10	9332-061203	SCREW	5
11	11351-5020	MAGNETO COVER	1
12	9714-121200	BUSH,CLUTCH,STARTER	1
13	9921-181390	O-RING $\phi 1.8 \times \phi 13.9$	1
14	11444-5020	PLUG,TIMING	1
15	9513-061200	WASHER $\phi 6 \times \phi 12 \times 1.5$	2
16	9111-060105	BOLT,FLANGE	2
17	9611-061200	DOWEL PIN $\phi 6 \times 12$	2
18	11451-5020	GASKET,MAGNETO COVER	1
19	9111-060305	BOLT,FLANGE	9



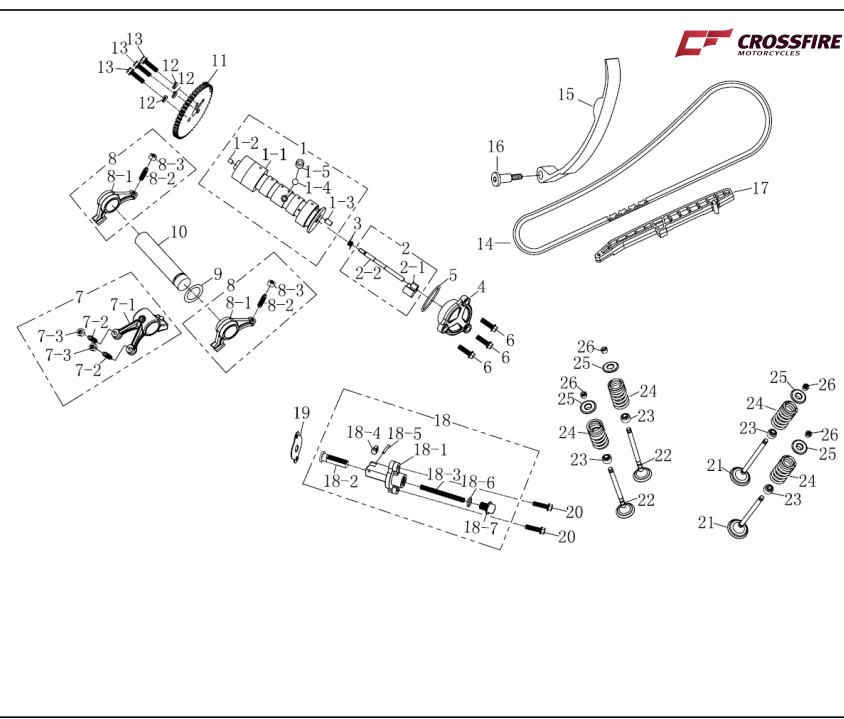
THE CRANKSHAFT CONNECTING ROD PISTON GROUP			
REF.No.	PART No.	DESCRIPTION	QTY
1	12200-5020	CRANKSHAFT ASSY	1
40544	12211-5020	LEFT CRANKSHAFT	1
40545	12212-5020	RIGHT CRANKSHAFT	1
40546	12113-5020	CONNECTING ROD	1
40547	12213-5020	PIN CRANK	1
40548	12281-5020	NEEDLE BEARING	1
40549	12311-5020	DRIVE GEAR,BALANCER	1
40550	6207 GB/T276	BEARING 6207	1
40551	6307 GB/T276	BEARING 6307	2
40552	12291-5020	OIL PLUG	1
2	9691-401600	WOODRUFF KEY	1
3	12721-5020	DRIVE GEAR,TIMING	1
4	9431-281007	NUT	1
5	9681-401450	KEY	1
6	12111-5020	PISTON	1
7	12101-5020	PISTON RING	1
40725	12121-5020	FIRST RING	1
40726	12122-5020	SECOND RING	1
40727	12130-5020	OIL RING	1
39142	12131-5020	LINER RING	1
21	12132-5020	SCRAPING RING	2
8	12112-5020	PISTON PIN	1
9	9562-230127	CIRCLIP	2
10	12320-5020	BALANCER SHAFT ASSY	1
40817	12321-5020	BALANCER SHAFT	1
40818	12322-5020	SECONDARY GEAR,BALANCER	1
40819	16311-5020	DRIVE GEAR,OIL PUMP	1
11	9512-202800	WASHER $\phi 20 \times \phi 28 \times 0.5$	2



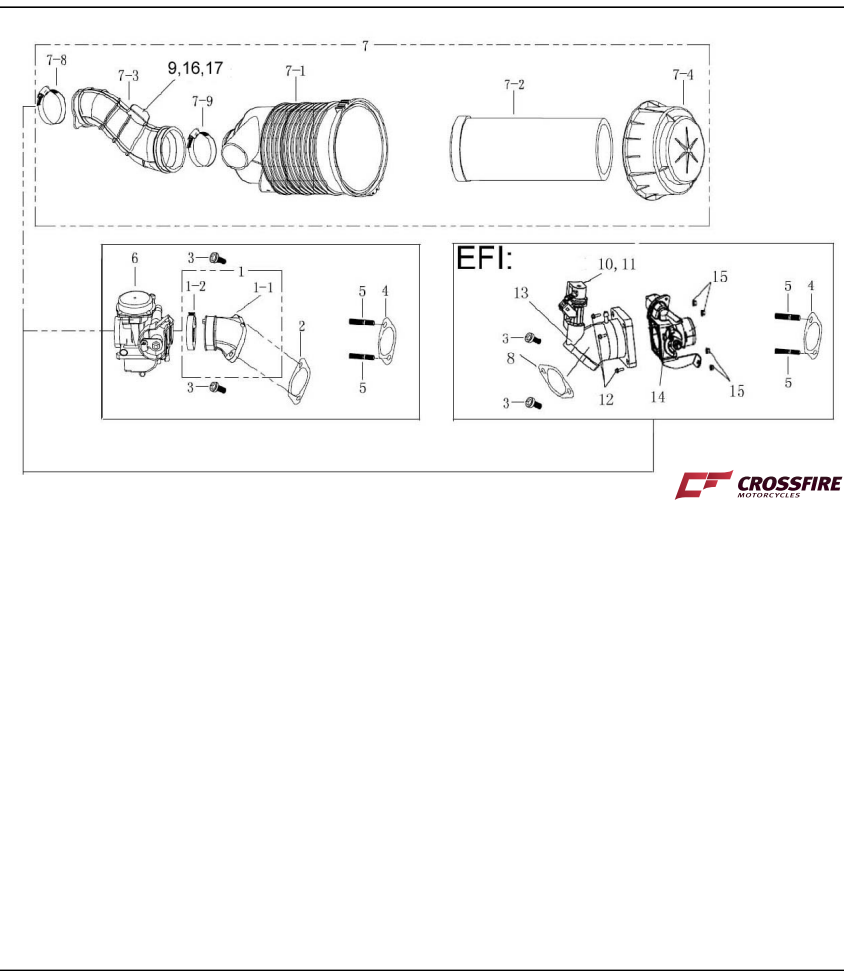
VALVE GROUP			
REF.No.	PART No.	DESCRIPTION	QTY
1	12710-5020	CAMSHAFT ASSY	1
40544	12711-5020	CAMSHAFT	1
40545	9611-051000	PIN, TIMING SPROCKET	1
40546	9611-061500	PIN,REDUCE PRESSURE SHAFT	1
40547	9031-350000	STEEL BALL	1
40548	9711-060400	LIMIT BUSH,STEEL BALL	1
2	12750-5020	FLY BLOCK ,REDUCE PRESSURE	1
40575	12751-5020	FLY BLOCK ,REDUCE PRESSURE	1
40576	12752-5020	REDUCE PRESS SHAFT	1
3	9831-050108	RETURN SPRING	1
4	11123-5020	COVER,CAMSHAFT	1
5	9921-204300	O-RING $\phi 2 \times \phi 43$	1
6	9111-060205	BOLT,FLANGE	3
7	12810-5020	ARM ASSY, EXHAUST	1
40725	12811-5020	ARM , EXHAUST	1
40726	9363-061600	ADJUST SCREW,VALVE CLEARANCE	2
40727	9421-060500	ADJUST NUT,VALVE CLEARANCE	2
8	12860-5020	ARM ASSY,INTAKE	2
40756	12861-5020	ARM ,INTAKE	1
40757	9363-061600	ADJUST SCREW,VALVE CLEARANCE	1
40758	9421-060500	ADJUST NUT,VALVE CLEARANCE	1
9	9512-222800	WASHER $\phi 22 \times \phi 28 \times 0.2$	1
10	12871-5020	ROCKER ARM,SHAFT	1
11	12731-5020	TIMING SPROCKET	1
12	9521-061007	SPRING WASHER	3
13	9111-060225	BOLT,FLANGE	3
14	12741-5020	CHAIN,TIMING	1



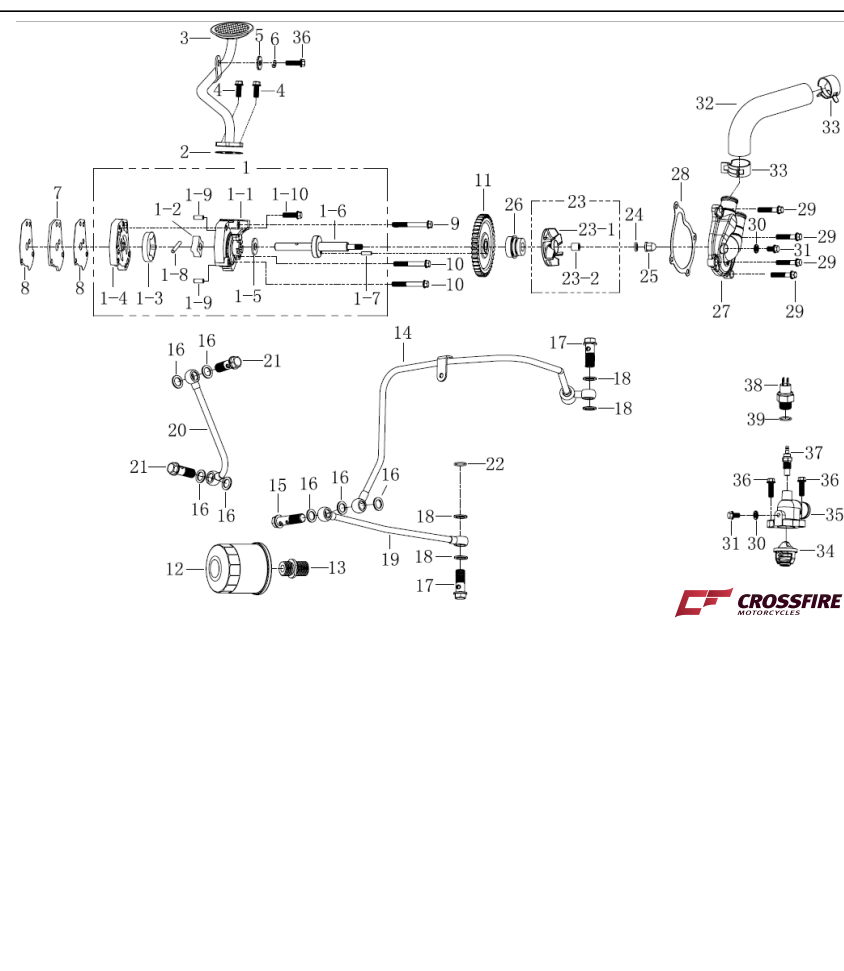
VALVE GROUP			
REF.No.	PART No.	DESCRIPTION	QTY
15	12831-5020	TENSIONER PLATE	1
16	9325-060323	BOLT,TENSIONER PLATE	1
17	12841-5020	GUIDE,CHAIN	1
18	12820-5020	TENSIONER ASSY	1
40561	12821-5020	TENSIONER	1
40562	12822-5020	ADJUST SHAFT	1
40563	9811-100708	ADJUST SPRING	1
40564	12823-5020	LOCK BUTTON	1
40565	9612-030170	PIN, LOCK BUTTON	1
40566	9921-181050	O-RING (φ1.8×φ10.5)	1
40567	9116-120125	BOLT,FLANGE	1
19	12851-5020	WHSHER,TENETIONER	1
20	9111-060255	BOLT,FLANGE	2
21	12911-5020	VALVE INTAKE	2
22	12912-5020	VALVE EXHAUST	2
23	9913-061300	OIL SEAL,VALVE	4
24	9811-320428	SPRING,VALVE	4
25	12913-5020	UPPER SEAT,VALVE	4
26	12914-5020	LOCK CLIP,VALVE	8



INTAKE GROUP			
REF.No.	PART No.	DESCRIPTION	QTY
1	13101-5020	JONIT CARBURETTOR ASSY	1
1-1	13110-5020	JONIT CARBURETTOR	1
1-2	13120-5020	AIR INLET PIPE CLAMP	1
2	13131-5020	GASKET,AIR INLET	1
3	9323-082005	BOLT	1
4	14191-5020	GASKET,EXHAUST PIPE	1
5	9211-080423	BOLT	2
6	13200-5020	CARBURETTOR	1
7	13700-5020	AIR CLEANER ASSY	1
	13700-5021	AIR CLEANER ASSY	1
7-1	13711-5020	AIR CLEANER	1
7-2	13721-5020	FILTER ELEMENT	1
7-3	13741-5020	AIR PIPE	1
	13741-5021	AIR PIPE	1
7-4	13751-5020	BACK COVER	1
7-5	13810-5020	SUPPORT,AIR CLEANER	1
7-6	13891-5020	SEAL RING	1
7-7	13892-5020	LOCK,BACK COVER	2
7-8	13893-5020	CARBURETTOR NOZZLE CLAMP	1
7-9	13894-5020	CLAMP,AIR PIPE	1
8	13141-5020	HEAT INSULATION THROTTLE JOINT	1
9	GB/T 5787 M8×20	BOLT,FLANGE (M6×20)	1
10	9111-060163	BOLT,FLANGE	1
11	33940-5020	INJECTOR ASSY	1
12	GB/T 5787 M8×40	BOLT,FLANGE (M6×40)	4
13	13110-5021	JONIT CARBURETTOR	1
14	33930-5020	THROTTLE BODY	1
15	GB/T 6187.1 M6	NUT, FLANGE (M6)	4
16	33980-5020	AIR TEMPERATURE SENSOR	1
17	13895-5020	SUPPORT,AIR TEMPARATURE SENSOR	1

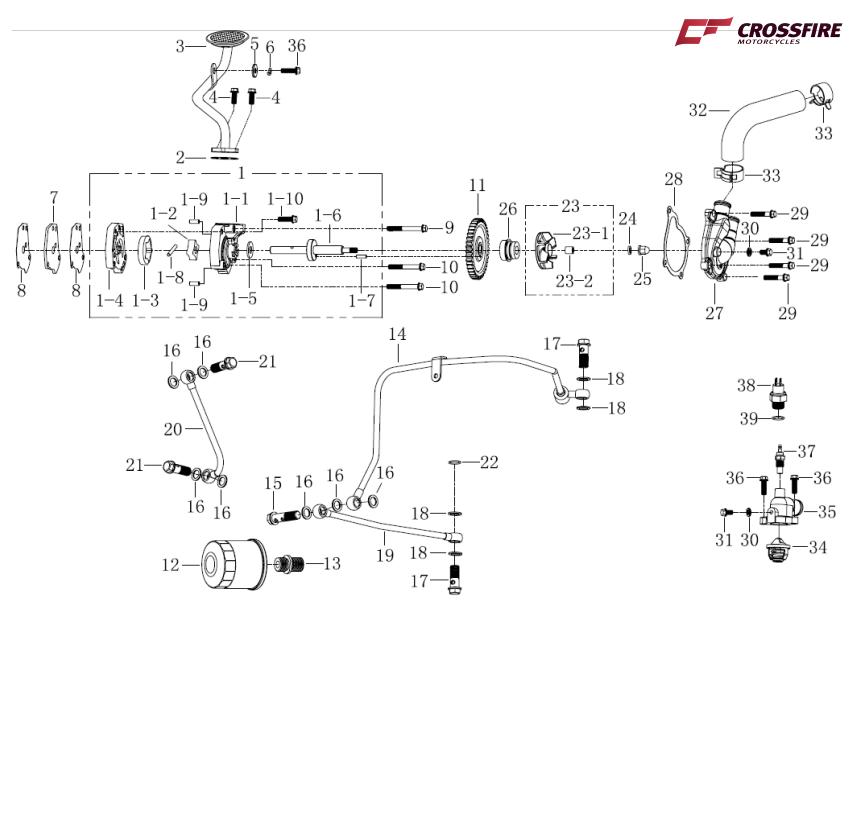


LUBRICATING AND COOLING GROUP			
REF.No.	PART No.	DESCRIPTION	QTY
1	16100-5020	OIL PUMP ASSY	1
40544	16111-5020	OIL PUMP HOUSING	1
40545	16131-5020	INNER ROTOR	1
40546	16141-5020	OUTER ROTOR	1
40547	16121-5020	COVER,OIL PUMP	1
40548	9512-102300	WASHER φ10×φ23×2	1
40549	16151-5020	SHAFT,OIL PUMP	1
40550	9611-041300	DOWEL PIN	1
40551	9611-041500	DOWEL PIN	1
40552	9611-051300	DOWEL PIN	2
40553	9111-060203	BOLT,FLANGE	1
2	16181-5020	GASKET,OIL INLET	1
3	16170-5020	OIL STRAINER	1
4	9111-060163	BOLT,FLANGE	2
5	9511-061903	WASHER φ6×φ19×1.5	1
6	9521-061007	SPRING WASHER	1
7	16161-5020	PLATE,AFFORD OIL	1
8	16162-5020	GASKET,OIL PLATE	2
9	9111-060503	BOLT,FLANGE	1
10	9111-060453	BOLT,FLANGE	2
11	16321-5020	DRIVEN GEAR,OIL PUMP	1
12	16510-5020	OIL FILTER ASSY	1
13	16521-5020	JOINT,OIL FILTER	1
14	16810-5020	OIL PIPE A	1
15	9119-120433	BOLT,OIL PIPE	1
16	9512-121800	WASHER φ12×φ18×1.5	7
17	9119-100283	BOLT,OIL PIPE	2



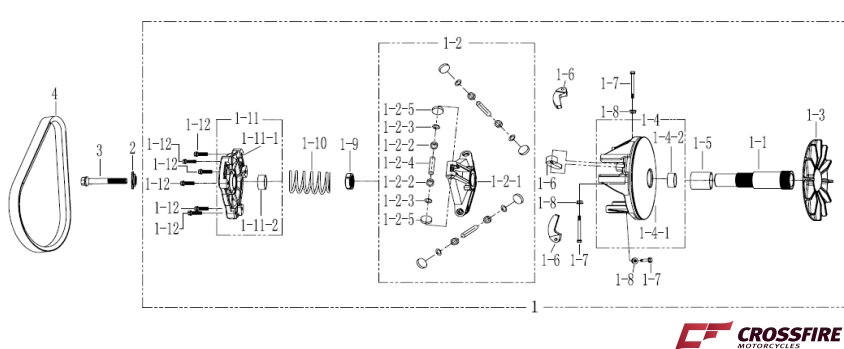
LUBRICATING AND COOLING GROUP

REF.No.	PART No.	DESCRIPTION	QTY
18	9512-101800	WASHER $\phi 10 \times \phi 18 \times 1.5$	4
19	16820-5020	OIL PIPE B	1
20	16830-5020	OIL PIPE,INLET	1
21	9119-120303	BOLT,OIL PIPE	2
22	9921-201000	O-RING $\phi 2 \times \phi 10$	1
23	17410-5020	IMPELLER ASSY,WATER PUMP	1
40566	17411-5020	IMPELLER,WATER PUMP	1
34	9715-071000	BUSH,COPPER $\phi 7 \times \phi 10 \times 10$	1
24	9512-071200	WASHER $\phi 7 \times \phi 12 \times 2$	1
25	9414-070805	FLANGE NUT	1
26	9931-062500	MECHANICAL SEAL	1
27	17431-5020	COVER,WATER PUMP	1
28	17441-5020	GASKET,WATER PUMP COVER	1
29	9111-060285	BOLT,FLANGE	4
30	9513-061200	WASHER $\phi 6 \times \phi 12 \times 1.5$	2
31	9111-060105	BOLT,FLANGE	2
32	17811-5020	WATER PIPE	1
33	9852-283007	CLAMP,WATER PIPE	2
34	17611-5020	THERMOSTAT	1
35	17621-5020	COVER,THERMOSTAT	1
36	9111-060205	BOLT,FLANGE	3
37	17631-5020	SENSOR,WATER TEMPERATURE	1
38	17641-5020	TEMPERATURE SWITCH	1
39	9921-151550	O-RING $\phi 1.5 \times \phi 15.5$	1



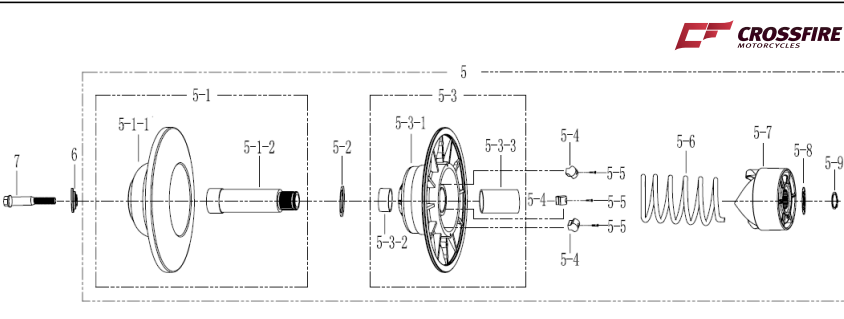
GEARSHIFT GROUP 1

REF.No.	PART No.	DESCRIPTION	QTY
1	21501-5020	PRIMARY SHEAVE ASSY	1
40544	21511-5020	SHAFT,PRIMARY SHEAVE	1
40545	21520-5020	SPIDER ASSY	1
36923	21521-5020	HOLDER,BELT WHEEL	1
5	21522-5020	ROLLER	3
6	21523-5020	WASHER,ROLLER	6
7	21524-5020	SHAFT,ROLLER	3
8	21525-5020	WASHER,GLIDE	6
40546	21513-5020	FAN,CVT	1
40547	21530-5020	DRIVE CLUTCH ASSY	1
1-4-1	21531-5020	MOVEABLE SHEAVE	1
1-4-2	9715-401800	BUSH,MOVEABLE SHEAVE	1
40548	21580-5020	ONE-WAY ASSY	1
40549	21514-5020	CLUTCH PLATE	3
40550	9323-055505	FLANGE SCREW	3
40551	9412-050603	NUT,FLANGE	3
40552	9431-321107	NUT	1
40553	9811-450651	SPRING,CVT	1
40554	21540-5020	SEAT ASSY,CLUTCH SPRING	1
16	21541-5020	SEAT,CLUTCH SPRING	1
17	9715-281400	BUSH,SPRING SEAT	1
40555	9113-060303	BOLT,FLANGE	6
2	9541-134003	WASHER	1
3	9112-121603	BOLT,FLANGE	1
4	21571-5020	BELT	1



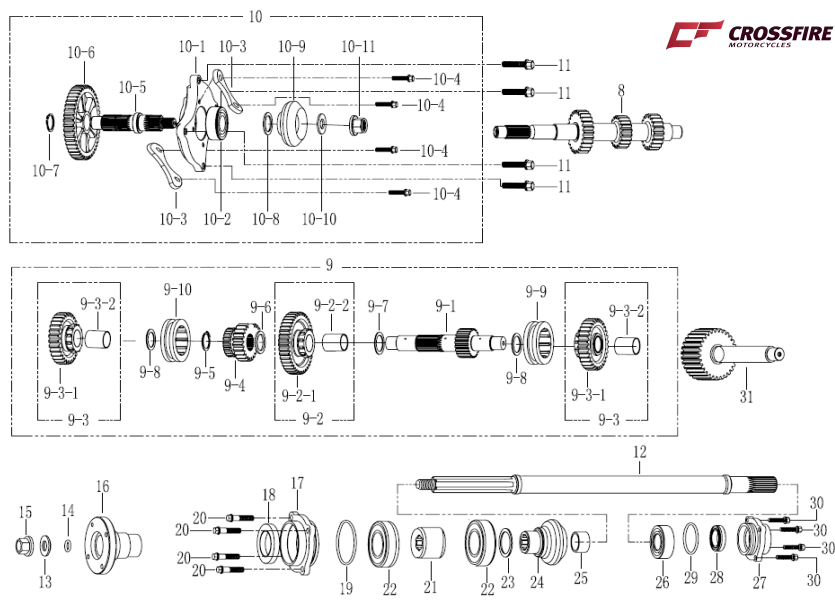
GEARSHIFT GROUP 2

REF.No.	PART No.	DESCRIPTION	QTY
5	21502-5020	SECONDARY SHEAVE ASSY	1
6	21550-5020	LEFT PLATE ASSY	1
23	21551-5020	PLATE,LEFT SIDE	1
24	21552-5020	SHAFT,GLIDE	1
40665	9511-385103	WASHER $\phi 38 \times \phi 51 \times 2$	1
40666	21560-5020	RIGHT PLATE ASSY	1
38412	21561-5020	RIGHT PLATE	1
38413	9715-381200	SHORT BUSH	1
28	9715-382500	LONG BUSH	1
40667	21591-5020	BUFFER	3
40668	9312-041801	SCREW	3
40669	9811-550978	TORSION SPRING	1
40670	21592-5020	CLAW,CLUTCH	1
40671	9511-314501	WASHER $\phi 31 \times \phi 45 \times 1.5$	1
40672	9561-300207	CIRCLIP	1
6	9541-133003	WASHER	1
7	9112-101003	BOLT	1



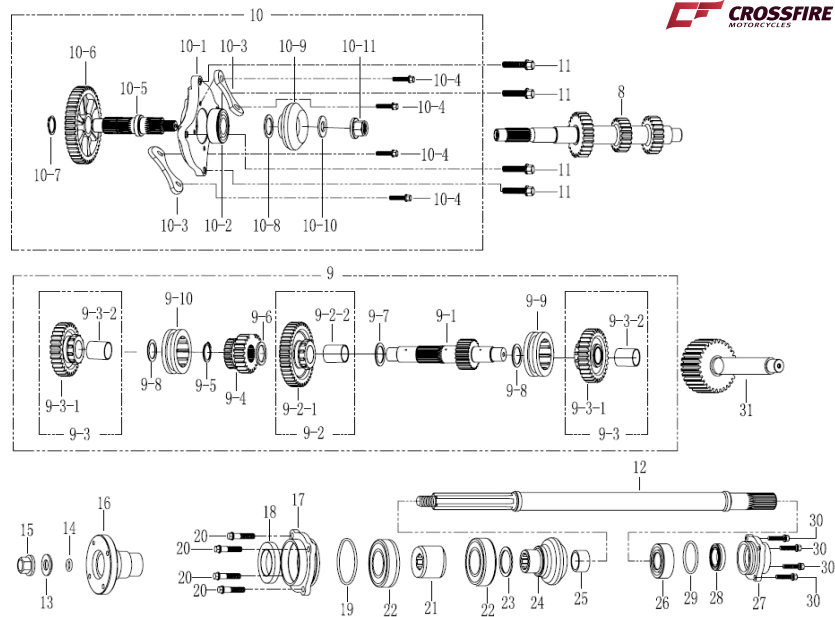
GEARSHIFT GROUP 3

REF.No.	PART No.	DESCRIPTION	QTY
8	24121-5020	SHAFT,DRIVE	1
9	24101-5020	SECONDARY SHAFT ASSY	1
40787	24111-5020	SECONDARY SHAFT	1
40788	24220-5020	LOW GEAR ASSY	1
39845	24221-5020	LOW GEAR(Z=41T)	1
41	9716-262500	BUSH,LOW GEAR	1
40789	24230-5020	REVERSE GEAR ASSY	2
39873	24231-5020	REVERSE GEAR	1
43	9716-242500	BUSH,REVERSE GEAR	1
40790	24241-5020	OUTPUT DRIVE GEAR	1
40791	9561-230127	CIRCLIP	1
40792	9511-263500	WASHER φ26×φ35×1.5	1
40793	9511-26A500	WASHER φ26×φ35×1	1
40794	9511-243307	WASHER φ23.5×φ33×1	2
40795	24261-5020	BUSH,GLIDE	1
40796	24251-5020	BUSH,GLIDE	1
10	24102-5020	DRIVEN SHAFT ASSY	1
10-1	24712-5020	DRIVEN SHAFT	1
10-2	6305 GB/T276	BEARING 6305	1
10-3	24711-5020	HOLDER,BEARING	2
10-4	9111-060225	BOLT FLANGE	4
10-5	24151-5020	DRIVEN SHAFT	1
10-6	24611-5020	OUTPUT DRIVEN GEAR	1
10-7	9561-250127	CIRCLIP	1
10-8	9511-253500	WASHER φ25.5×φ35×1.5	1
10-9	24911-5020	DRIVE BEVEL GEAR	1
10-10	9511-163207	WASHER φ16×φ31×1.8	1



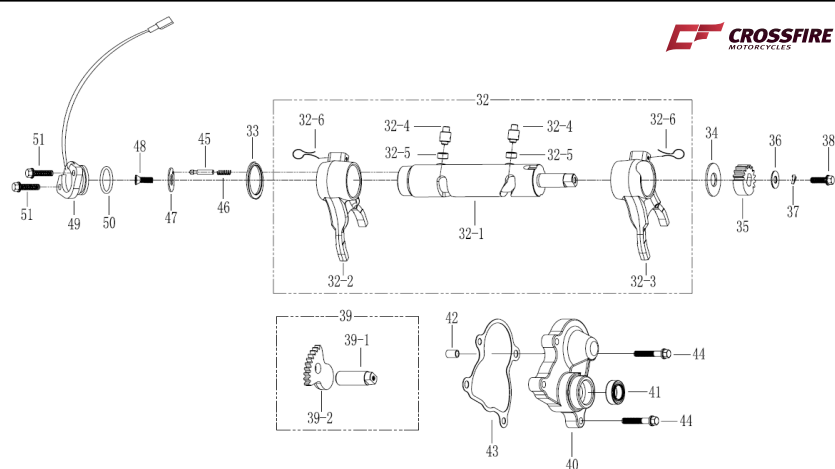
GEARSHIFT GROUP 4

REF.No.	PART No.	DESCRIPTION	QTY
10-11	9412-161603	NUT,FLANGE	1
11	9113-080323	BOLT,FLANGE	4
12	24131-5020	EXPORT SHAFT	1
13	9551-163207	WASHER	1
14	9921-301600	O-RING φ3×φ16	1
15	9412-161603	NUT,FLANGE	1
16	24811-5020	FLANGE,OUTPUT	1
17	24832-5020	REAR COVER,BEARING	1
18	9911-406200	OIL SEAL 40×62×8	1
19	9921-256700	O-RING φ2.5×φ67	1
20	9111-080285	BOLT,FLANGE	4
21	24821-5020	SPACER ,FLANGE	1
22	6207 GB/T276	BEARING 6207	2
23	9511-354500	WASHER φ35×φ45×1.5	1
24	24912-5020	DRIVEN BEVEL GEAR	1
25	9711-251507	SPACER,SUBULATE GEAR	1
26	6205 GB/T276	BEARING 6205	1
27	24831-5020	FRONT COVER,BEARING	1
28	9911-254000	OIL SEAL 25×40×7	1
29	9921-254700	O-RING φ2.5×φ47	1
30	9111-060225	BOLT FLANGE	5
31	24141-5020	REVERSE GEAR SHAFT (Z=30T)	1



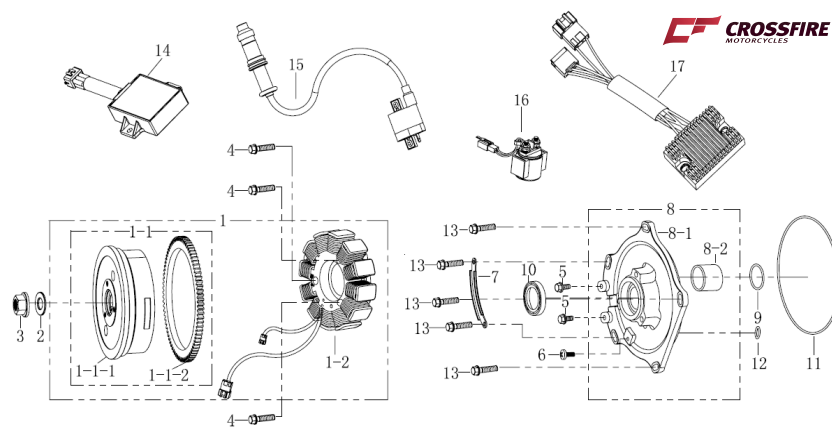
GEARSHIFT GROUP 5

REF.No.	PART No.	DESCRIPTION	QTY
32	25310-5020	SHIFT CAM ASSY	1
32-1	25311-5020	SHIFT CAM	1
32-2	25211-5020	SHIFT FORK (L)	1
32-3	25221-5020	SHIFT FORK (R)	1
32-4	25321-5020	PIN	2
32-5	25331-5020	ROLLER,PIN	2
32-6	9631-032000	OPEN PIN	2
33	9511-324000	WASHER φ32×φ40×2	1
34	9511-153600	WASHER φ15×φ36×2	1
35	25341-5020	SHIFT GEAR	1
36	9511-061903	WASHER φ6×φ19×1.5	2
37	9521-061007	SPRING WASHER	1
38	9111-060163	BOLT,FLANGE	1
39	25510-5020	SHIFT SHAFT ASSY	1
97	25511-5020	SHIFT SHAFT	1
98	25512-5020	SECTOR GEAR	1
40	25111-5020	COVER,SHIFT SHAFT	1
41	9911-152600	OIL SEAL 15×26×7	1
42	9613-081000	DOWEL PIN	1
43	25121-5020	GASKET,SHIFT COVER	1
44	9111-060285	BOLT,FLANGE	2
45	9617-052250	PIN CONTACTOR	1
46	9811-050158	SPRING,GEAR CONTACTOR	1
47	34631-5020	LIMIT PLATE	1
48	9332-061203	SCREW	1
49	34610-5020	GEAR POSITION SENSOR	1
50	9921-252700	O-RING φ2.5×φ27	1
51	9111-060205	BOLT,FLANGE	2



ELECTRICAL GROUP

REF.No.	PART No.	DESCRIPTION	QTY
1	32100-5020	MAGNETO	1
	32100-5021	MAGNETO	1
40544	32110-5020	FLYWHEEL ASSY	1
	32110-5021	FLYWHEEL ASSY	1
3	32111-5020	MAGNETO ROTOR	1
	32111-5021	MAGNETO ROTOR	1
4	32112-5020	GEAR,STARTER	1
40545	32120-5020	MAGNETO STATOR	1
	32120-5021	MAGNETO STATOR	1
2	9511-163207	WASHER $\phi 16 \times \phi 32 \times 2$	1
3	9411-161403	NUT,FLANGE	1
4	9111-060305	BOLT,FLANGE	3
5	9121-050123	BOLT,FLANGE	2
6	9312-050803	SCREW	1
7	32211-5020	LINE HOLDER	1
8	11410-5020	SEAT,MAGNETO ASSY	1
40756	11411-5020	SEAT,MAGNETO	1
40757	11412-5020	BUSH,MAGNETO SEAT	1
9	9921-202480	O-RING $\phi 2.0 \times \phi 24.8$	1
10	9911-253800	OIL SEAL 25x38x7	1
11	9921-201295	O-RING $\phi 2.0 \times \phi 129.5$	1
12	9921-251500	O-RING $\phi 2.5 \times \phi 15$	1
13	9111-060255	BOLT,FLANGE	5
14	32900-5020	IGNITION	1
	33910-5020	ECU	1
15	33400-5020	IGNITION COIL	1
	33400-5021	IGNITION COIL	1
16	31800-5020	RELAY	1
17	32800-5020	RECTIFIER	1
	32800-5000	RECTIFIER	1



STARTING GROUP

REF.No.	PART No.	DESCRIPTION	QTY
1	31100-5020	STARTING MOTOR,ASSY	1
2	9111-060325	BOLT,FLANGE	1
3	31910-5020	CLUTCH,STARTER,ASSY	1
4	26391-5020	LIMIT BUSH,HANDLE	1
5	26310-5020	HANDLE ASSY	1
6	26321-5020	COVER,HANDLE	1
7	9841-080960	SPRING,COIL	1
8	26330-5020	SHEAVE DRUM ASSY	1
9	26392-5020	ROPE	1
10	26393-5020	PAWL	1
11	9831-070038	PAWL SPRING	1
12	9842-100288	SPRING	1
13	26394-5020	FRICTION PLATE	1
14	9521-061007	SPRING WASHER	1
15	9111-060163	BOLT,FLANGE	1
16	26340-5020	STARTER PULLY	1
17	9121-080203	BOLT,FLANGE	3
18	9111-060385	BOLT,FLANGE	1

