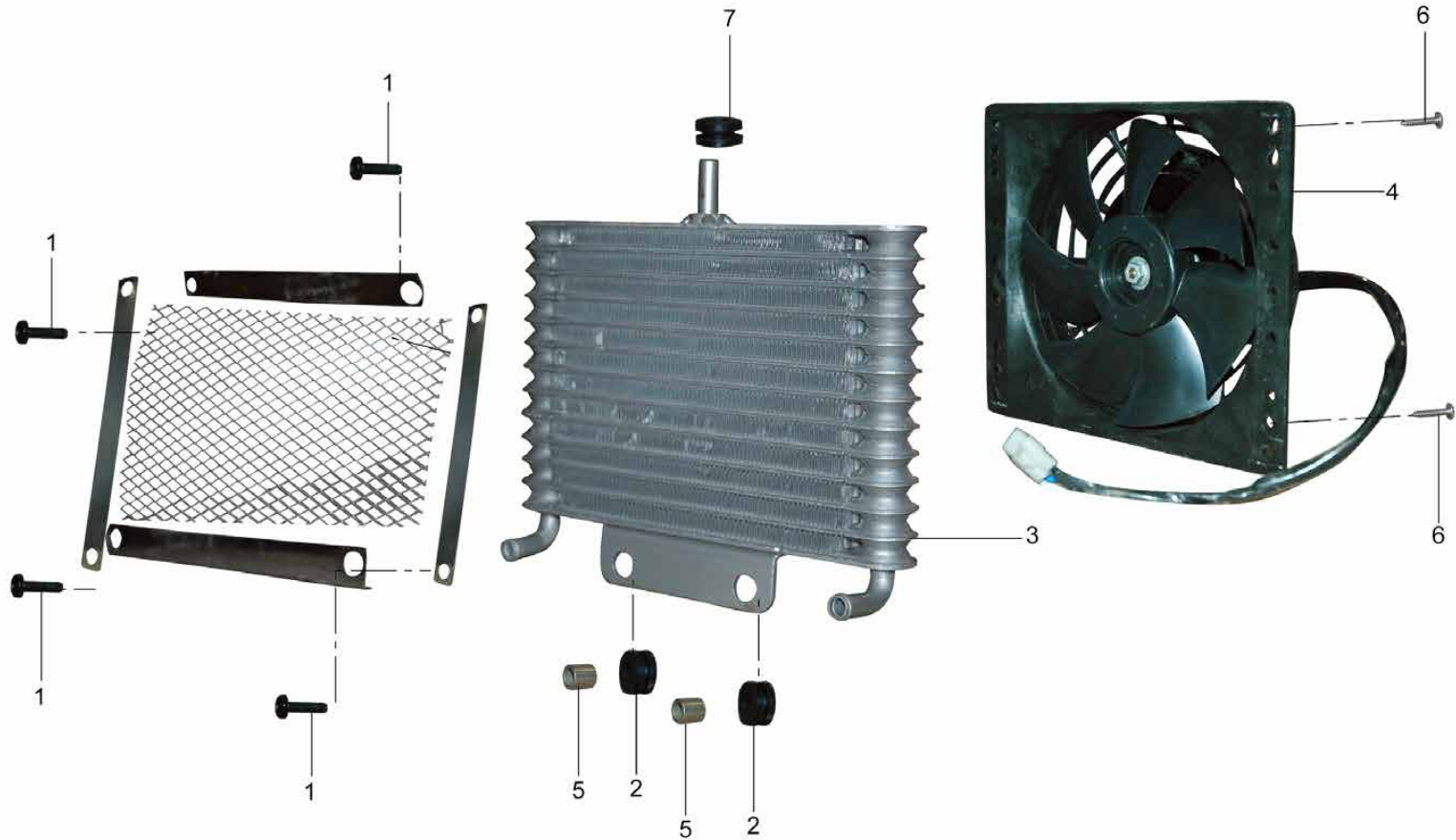


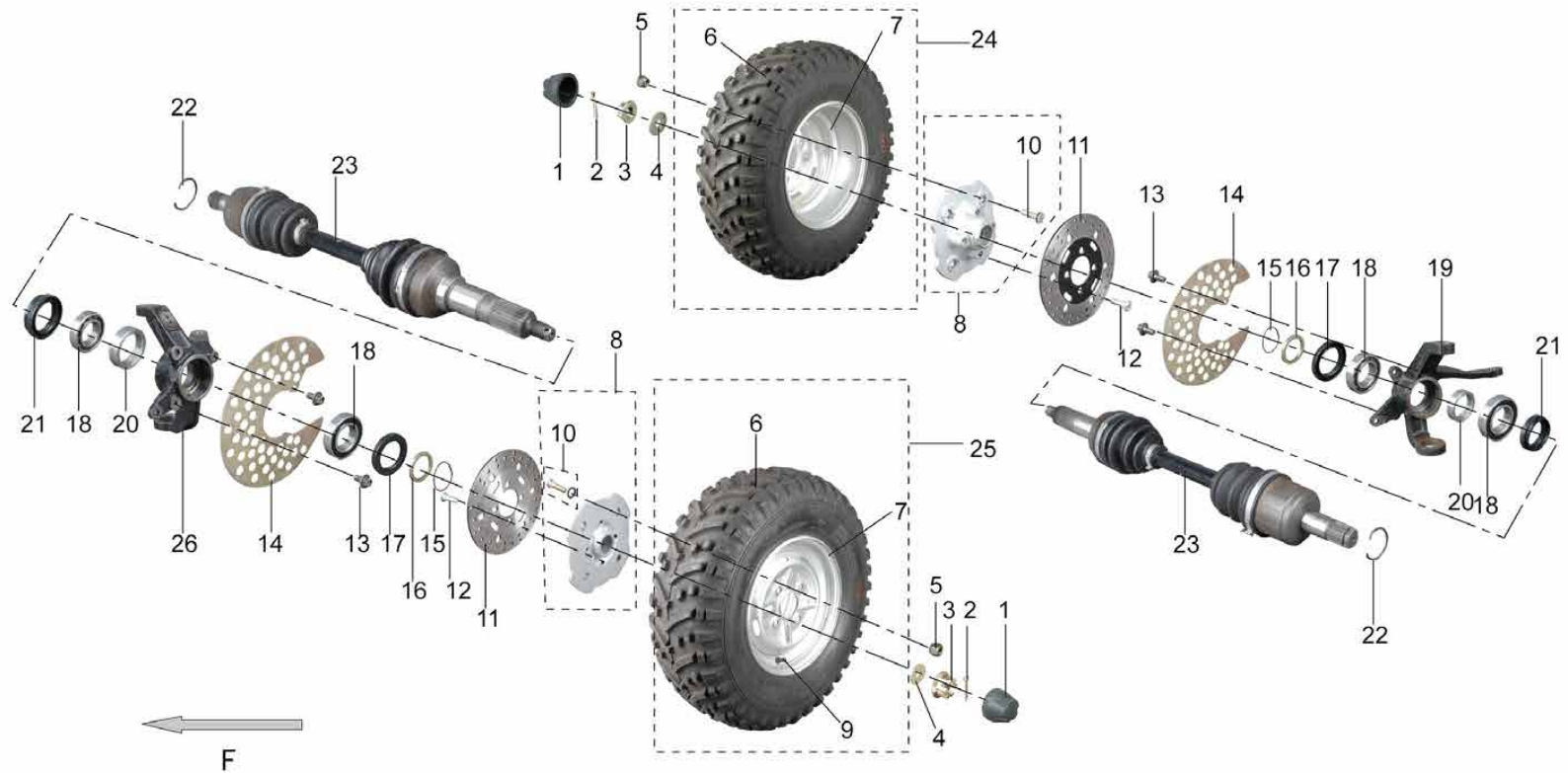
序号 No.	零件代号 Part code	零件名称 Part Name		状态 State		是否 维修 Y/N Maintenance	重量 Weight	属性 Property	备注 Notes	
				EPA款 EPA shall	EEC款 EEC shall					
25	SSC0-000505-5	油箱盖板	Tank Cover	1	1	Y	0.35	Plastic		
26	SSC3-310401-0	油表安装座	Oil Block Table Installation	1	1	Y	0.005	Metal		
27	BQ/JRYP1-CM6×20-37	螺栓垫圈组合	Bolt washer	2	2	Y	0.005	Metal		
28	BGB/T96.1-6-37	垫圈	Washer	10	10	Y	0.001	Metal		
29	BGB/T6184-M6-37	锁紧螺母	Locking nut	10	10	Y	0.002	Metal		



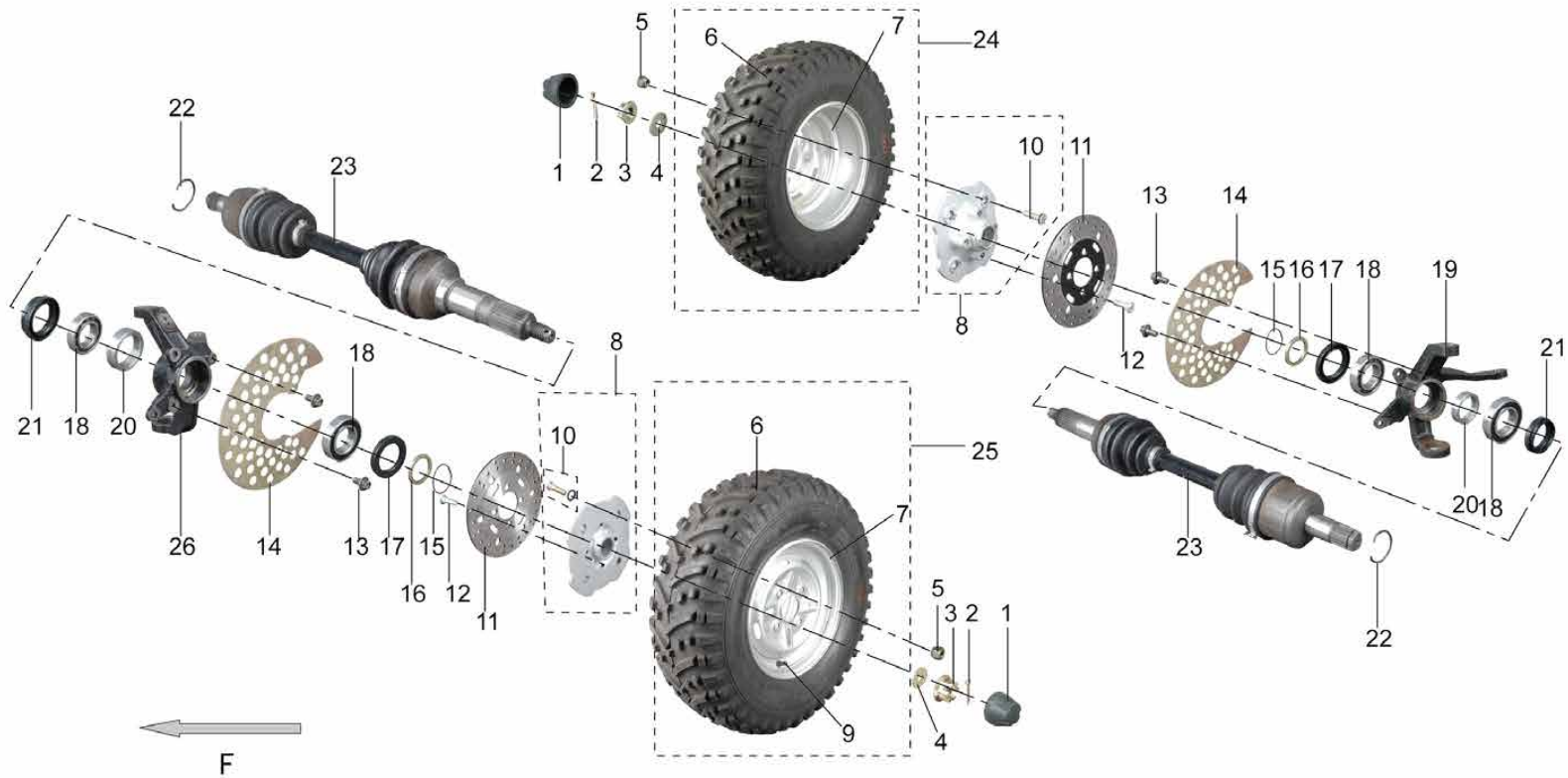
序号 No.	零件代号 Part code	零件名称 Part Name		状态 State		是否 维修 Y/N Mainte- nance	重量 Weight	属性 Property	备注 Notes	
				EPA款 EPA shall	EEC款 EEC shall					
1	F3-660501-5	塑料钉	Plastic screw	4	4	Y	0.002	Rubber		
2	F3-660601-5	缓冲垫	Cushion	2	2	Y	0.004	Rubber		
3	F3-660000-5	冷油器总成	Cold oil ASSY	1	1	N	1.59	Metal		
4	F3-D90000-5	冷却风扇	Cooling fan	1	1	Y	1.02	Plastic		
5	F3-660002-5	衬套	Bush	2	2	Y	0.002	Metal		
6	BGB/T845-ST2.9×22-32	自攻螺钉	Tapping Screws	4	4	Y	0.002	Metal		
7	F3-660602-5	缓冲套	Buffer sets	1	1	Y	0.002	Rubber		



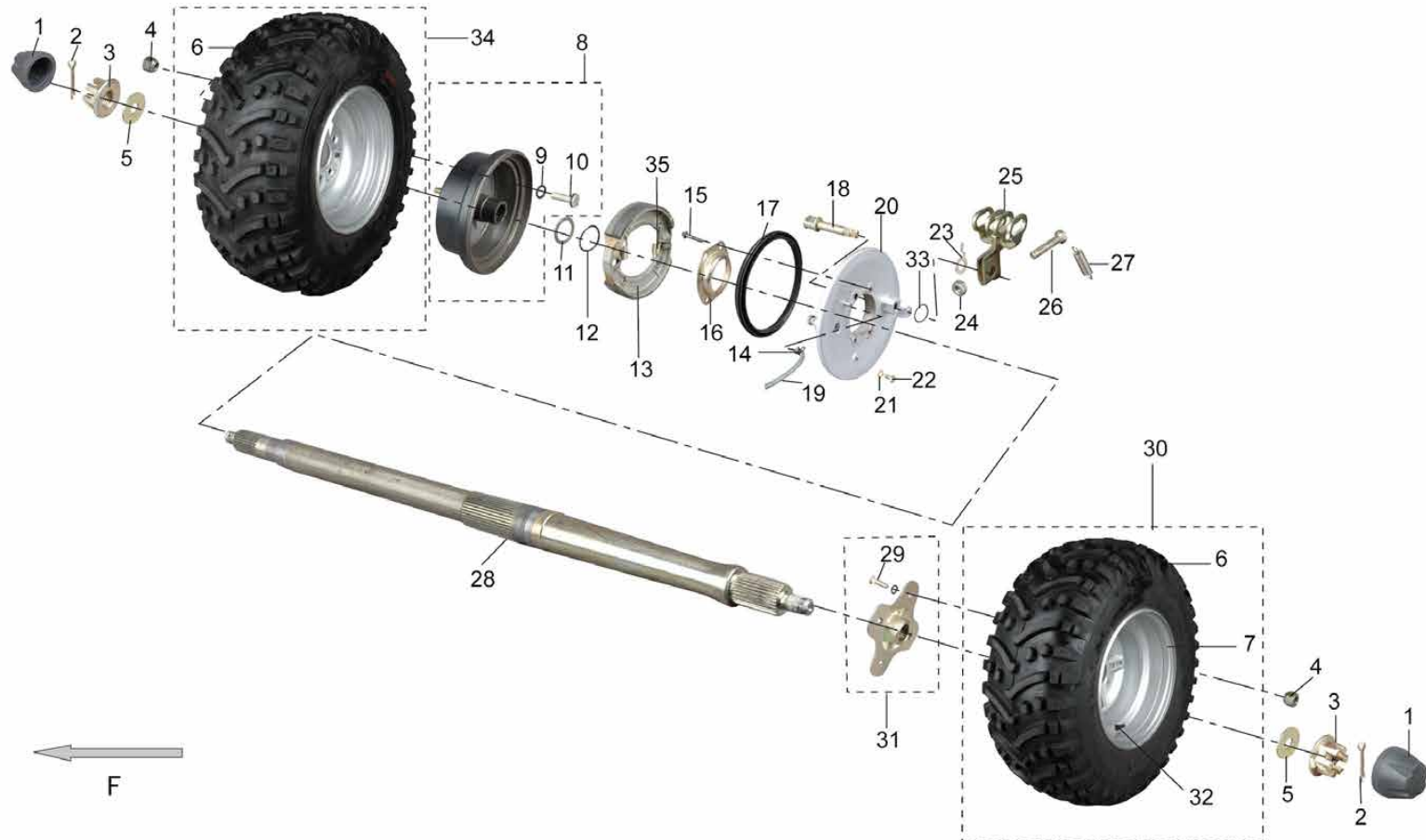
序号 No.	零件代号 Part code	零件名称 Part Name	状态 State		是否 维修 Y/N Maintenance	重量 Weight	属性 Property	备注 Notes
			EPA款 EPA shall	EEC款 EEC shall				
1	SSC3-410000-5	座垫	Cushion	1	1	Y	3.19	
2	SSC3-410601-5	圆橡胶圈	Round rubber ring	4	4	Y	0.005	
3	SSC3-410602-5	方橡胶垫	Side rubber pad	2	2	Y	0.005	
4	BGB/T6187-M6-32	螺母	Nut	1	1	Y	0.004	Metal
5	SSC3-410001-5	座垫锁弹簧	Spring seat lock	1	1	Y	0.005	Metal
6	SSC3-410401-5	座垫锁支架	Seat lock bracket	1	1	Y	0.012	Metal
7	BGB/T97.1-6-32	平垫圈	Flat washer	1	1	Y	0.001	Metal
8	BGB/T93-6-32	弹簧垫圈	Spring washer	1	1	Y	0.001	Metal
9	BGB/T823-M6×65-32	螺钉	Screw	1	1	Y	0.007	Metal



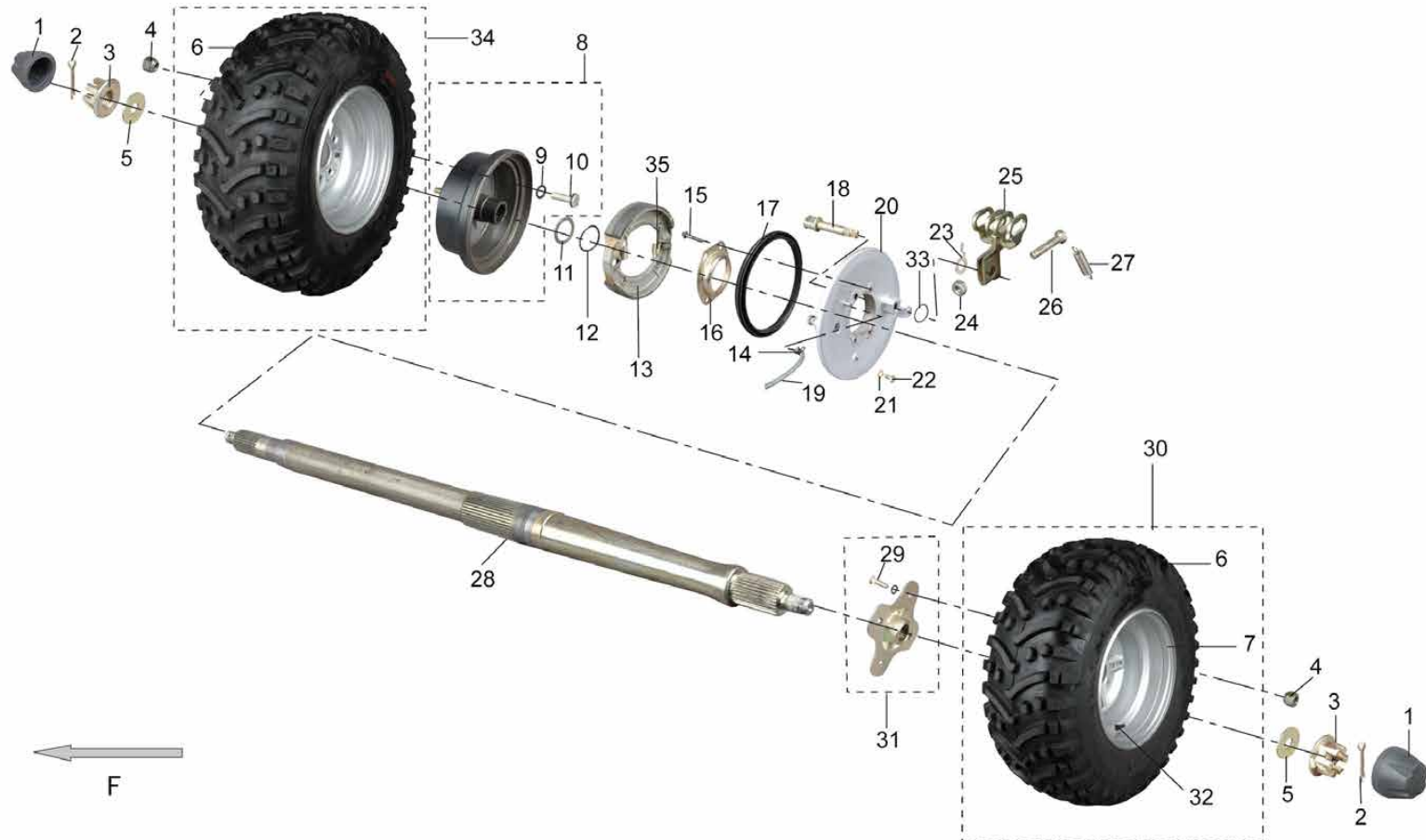
序号 No.	零件代号 Part code	零件名称 Part Name	状态 State		是否 维修 Y/N Maintenance	重量 Weight	属性 Property	备注 Notes	
			EPA款 EPA shall	EEC款 EEC shall					
1	SSA0-000604-0	前后轮防尘盖	Front and rear dust cover	2	2	Y	0.0445	Plastic	
2	BGB/T91-3.2×24-W2	开口销	Cotter pin	2	2	Y	0.0015	Metal	
3	SSA0-000013-0	后轮轴螺母	Rear Axle Nut	2	2	Y	0.0205	Metal	
4	BGB/T96.1-16-32	垫圈	Washer	2	2	Y	0.008	Metal	
5	SSA0-000301-0	前后轮连接螺母	Front and rear connecting nut	8	8	Y	0.017	Metal	
6	SSC3-810601-0	前轮胎 (非公路)	Front tire (non-highways)	2		Y	3.25	Rubber	
	SSC3-810601-2	前轮胎 (公路)	Front tire (road)		2	Y	3.25	Rubber	
7	SSC3-811000-0	前轮辋组合	assy of front wheel rim	2	2	Y	4.35	Aluminium	
8	SSC0-005000-0	前制动盘座组合	assy of front brake disc seat	2	2	Y	1.234	Metal	
9	GB12836.1-1999	无内胎气门嘴Z2-01-1	Tubeless valve Z2-01-1	2	2	Y	0.0025	Metal	
10	SSA4-312002-0	螺栓	Bolt	8	8	Y	0.0265	Metal	
11	SSC4-350001-0	制动盘	Brake disc	2	2	Y	0.49	Metal	
12	SSB4-310001-0	制动盘安装螺钉	Brake disc mounting screws	8	8	Y	0.0115	Metal	
13	BGB/T16674.1-M6×12-37	六角法兰面螺栓	Hexagon flange bolts	4	4	Y	0.0055	Metal	
14	SSC0-000407-0	前制动钳挡板	Front brake caliper baffle	2	2	Y	0.1815	Metal	
15	SSC0-000603-0	O形圈	O-ring	2	2	Y	0.0005	Metal	
16	SSC0-000003-0	轴套	Sleeve	2	2	Y	0.0105	Metal	
17	SSC3-221000-0	油封1	Oil Seal 1	2	2	Y	0.016	Metal	
18	BGB/T276-6006-RS	轴承	Bearing	4	4	Y	0.113	Metal	
19	SSC3-250201-0	右转向节体	Right steering knuckle body	1	1	Y	1.68	Metal	
20	SSC3-220001-0	衬圈	Lining ring	2	2	Y	0.037	Metal	
21	SSC3-222000-0	油封2	Seal 2	2	2	Y	0.0185	Metal	
22	SSC3-970701-0	钢丝卡簧	Steel retainer	2	2	Y	0.005	Metal	
23	SSC3-970000-0	前驱半轴组件	Precursor axle components	2	2	Y	3.22	Metal	
24	SSC3-813000-0	右前轮(非公路)	The right front (non-highways)	1		Y	7.56		



序号 No.	零件代号 Part code	零件名称 Part Name		状态 State		是否 维修 Y/N Mainte- nance	重量 Weight	属性 Property	备注 Notes
				EPA款 EPA shall	EEC款 EEC shall				
	SSC3-813000-2	右前轮(公路)	The right front (road)		1	Y	7.56		
25	SSC3-814000-0	左前轮(非公路)	The left front wheel (non-highways)	1		Y	7.56		
	SSC3-814000-2	左前轮(公路)	The left front wheel (road)		1	Y	7.56		
26	SSC3-220201-0	左转向节体	Left Knuckle body	1	1	Y	1.68	Metal	



序号 No.	零件代号 Part code	零件名称 Part Name	状态 State		是否 维修 Y/N Maintenance	重量 Weight	属性 Property	备注 Notes	
			EPA款 EPA shall	EEC款 EEC shall					
1	SSA0-000604-0	前后轮防尘盖	Front and rear dust cover	2	2	Y	0.0445	Metal	
2	BGB/T91-4×30-W2	开口销	Cotter pin	2	2	Y	0.0015	Metal	
3	SSA0-000013-0	后轮轴螺母	Rear Axle Nut	2	2	Y	0.0425	Metal	
4	SSA0-000301-0	前后轮连接螺母	Front and rear connecting nut	2	2	Y	0.017	Metal	
5	BGB/T96.1-16-32	垫圈	Washer	2	2	Y	0.039	Metal	
6	SSC3-820601-0	后轮胎 (非公路)	Rear tire (non-highway)	2		Y	4.23	Rubber	
	SSC3-820601-2	后轮胎 (公路)	After tire (road)		2	Y	4.23	Rubber	
7	SSC3-821000-0	后轮辋组合	Rear wheel rim assy	2	2	Y	5.7	Aluminium	
8	SSA0-009000-0	后制动鼓组合	assy rear brake drum	1	1	Y	3.44	Metal	
9	BJB/T6659-11.8×1.22	O形圈	O-ring	4	4	Y	0.0005	Metal	
10	SSA4-312002-0	螺栓	Bolt	4	4	Y	0.028	Metal	
11	BGB/T3452.1-30×1.8G	O型圈	O-ring	1	1	Y	0.0085	Rubber	
12	SSA0-000405-0	后制动盖平垫	Cover flat rear brake pads	1	1	Y	0.008	Metal	
13	SSC4-323000-0	后制动蹄块组合	Block after the assy of brake shoe	2	2	Y	0.0095	Metal	
14	SSA0-000802-0	后制动器通气管夹子	After the brake ventilation tube clip	1	1	Y	0.3365	Metal	
15	BGB/T16674.1-M8×40-37	螺栓	Bolt	4	4	Y	0.02	Metal	
16	SSA0-000406-0	后制动轴承挡块	Bearing block rear brake	1	1	Y	0.0585	Metal	
17	SSA4-314000-0	防尘密封	Dust seal	1	1	Y	0.128	Rubber	
18	SSA4-320001-0	后制动凸轮轴	Brake camshaft	1	1	Y	0.13	Metal	
19	SSC0-000607-0	后制动器通气管	After the brake ventilation tube	1	1	Y	0.0375	Rubber	
20	SSA4-321000-0	后制动盖组合	assy rear brake cover	1	1	Y	0.9	Metal	
21	SSA4-310402-0	密封垫	Gasket	1	1	Y	0.0005	Metal	
22	BGB/T5783-M6×12-37	螺栓	Bolt	1	1	Y	0.005	Metal	
23	SSA4-310404-0	刹车指示片	Brake instruction film	1	1	Y	0.002	Metal	
24	BGB/T6177.1-M6-37	螺母	Nut	1	1	Y	0.0075	Metal	

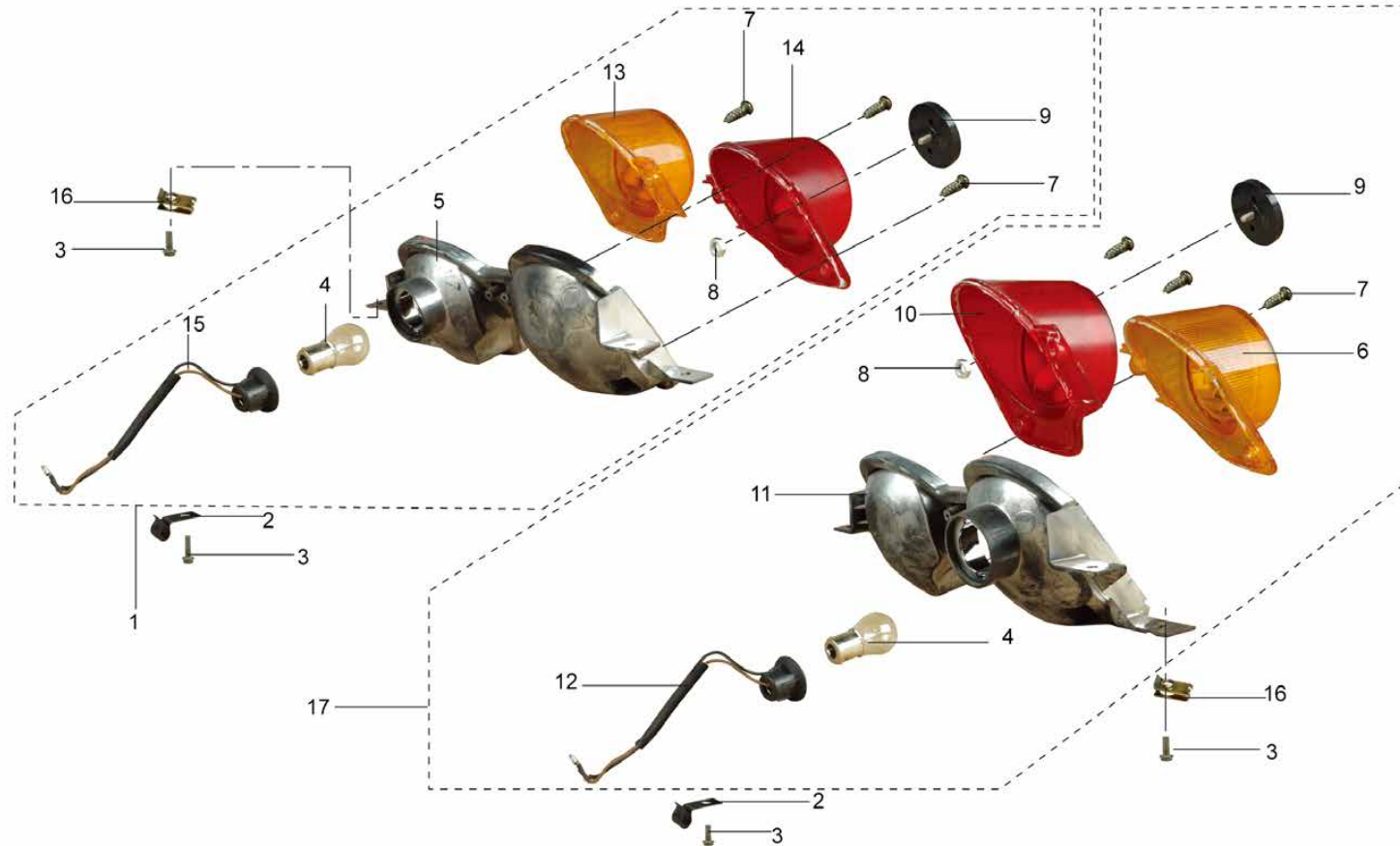


序号 No.	零件代号 Part code	零件名称 Part Name	状态 State		是否 维修 Y/N Maintenance	重量 Weight	属性 Property	备注 Notes	
			EPA款 EPA shall	EEC款 EEC shall					
25	SSC4-322000-0	后制动臂组合	assy rear brake arm	1	1	Y	0.015	Metal	
26	CY80-23-13	螺栓	Bolt	1	1	Y	0.002	Metal	
27	SSC4-320701-0	制动拉簧	Brake Extension Spring	1	1	Y	0.007	Metal	
28	SSC3-920001-0	后轮轴	Rear axle	1	1	Y	5.39	Metal	
29	SSA4-312002-0	螺栓	Bolt	4	4	Y	0.027	Metal	
30	SSC3-823000-0	左后轮 (非公路)	Left rear (non-highways)	2		Y	9.93		
	SSC3-823000-2	左后轮 (公路)	Left rear (road)		2	Y	9.93		
31	SSA0-017000-0	后轮连接板组合	Rear connecting plate assy	1	1	Y	0.097	Metal	
32	GB/T2836.1-1999	无内胎气门嘴Z2-01-1	Tubeless valve Z2-01-1	2	2	Y	0.0025	Metal	
33	BGB/T3452.1-14×2.65G	O型圈	O-ring	1	1	Y	0.0005	Metal	
34	SSC3-824000-0	右后轮 (非公路)	The right rear wheel (non-highways)	2		Y	9.93		
	SSC3-824000-2	右后轮 (公路)	The right rear wheel (road)		2	Y	9.93		
35	SSA4-310701-0	拉簧	Extension Spring	2	2	Y	0.0005	Metal	

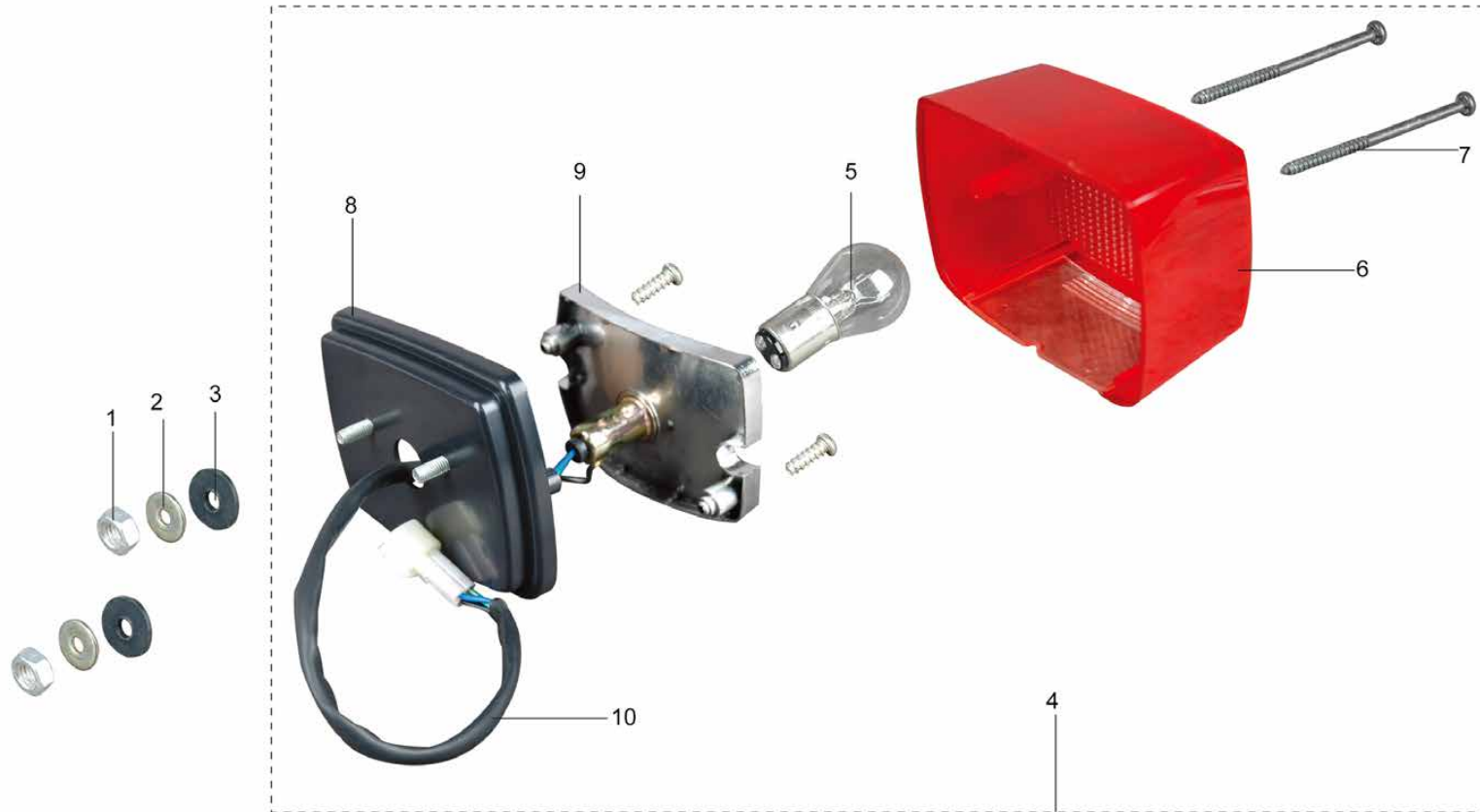


序号 No.	零件代号 Part code	零件名称 Part Name		状态 State		是否 维修 Y/N Mainte- nance	重量 Weight	属性 Property	备注 Notes
				EPA款 EPA shall	EEC款 EEC shall				
1	SSC5-612000-5	前照灯R	Headlamp R	1	1	Y	0.73		
2	SSA0-000408-0	螺母夹M5	M5 Nut clip	8	8	Y	0.002	Metal	
3	BGB/T9074.1-M5×20-37	螺栓垫圈组合	Bolt washer	8	8	Y	0.005	Metal	
4	GB15766.1-12V HS1 35W/35W	灯泡	Bulb	2	2	Y	0.015		
5	SSC5-611000-5	前照灯L	Headlamp L	1	1	Y	0.73		
6	GB15766.1-12V W5W	灯泡	Bulb	2	2	Y	0.001		
7	GB15766.1-12V H21 21W	灯泡	Bulb	2	2	Y	0.001		
8	SSC5-611001-5	导线部件	Wire components	1	1	Y	0.023		
9	BGB/T845-ST4×12-W2	螺钉	Screw	2	2	Y	0.001	Metal	
10	SSC5-612001-5	导线部件	Wire components	1	1	Y	0.023		

21. Rear Turn Signals



序号 No.	零件代号 Part code	零件名称 Part Name	状态 State		是否 维修 Y/N Maintenance	重量 Weight	属性 Property	备注 Notes
			EPA款 EPA shall	EEC款 EEC shall				
1	SSC5-641000-5	后转向灯	1	1	Y	0.246		
2	QH0-000404-0	离合器拉索线夹	Clutch cable clamp	2	2	Y	0.021	Metal
3	BGB/T9074.4-M5×20-37	螺栓垫圈组合	Bolt washer	8	8	Y	0.004	Metal
4	BGB/T15766.1-12V 21W	灯泡(P21)	Lamp (P21)	2	2	Y	0.005	Plastic
5	SSC5-642703-5	反射碗	Reflection Bowl	1	1	N	0.125	
6	SSC5-641701-5	面罩 (橙色)	Mask (orange)	1	1	N	0.0305	
7	BGB/T845-ST4.2×13-W2	自攻螺钉	Tapping Screws	8	8	N	0.002	Metal
8	BGB/T6184-M6-32	螺母	Nut	2	2	N	0.002	
9	SSM0-005000-0B	反光片(红)	Reflector (red)	2	2	N	0.015	
10	SSC5-641702-5	面罩 (红色)	Mask (red)	1	1	N	0.0475	Plastic
11	SSC5-641703-5	反射碗	Reflection Bowl	1	1	N	0.125	
12	SSC5-641001-5	导线部件	Wire components	1	1	Y	0.021	
13	SSC5-642701-5	面罩 (橙色)	Mask (orange)	1	1	N	0.0475	Plastic
14	SSC5-642702-5	面罩 (红色)	Mask (red)	1	1	N	0.0305	Plastic
15	SSC5-642001-5	导线部件	Wire components	1	1	Y	0.021	
16	SSA0-000408-0	螺母夹M5	M5 Nut clip	8	8	Y	0.0035	
17	SSC5-642000-5	后转向灯R		1	1	Y	0.246	



序号 No.	零件代号 Part code	零件名称 Part Name		状态 State		是否 维修 Y/N Maintenance	重量 Weight	属性 Property	备注 Notes	
				EPA款 EPA shall	EEC款 EEC shall					
1	BGB/T6170-M6-32	螺母	Nut	2	2	Y	0.002	Metal		
2	BGB/T5287-6-37	垫圈	Washer	2	2	Y	0.004	Metal		
3	QT0-000602-0	护孔环	Retaining ring hole	2	2	Y	0.001	Rubber		
4	SSC5-630000-5	尾灯组件	Tail component	1	1	Y	0.24			
5	BGB15766.1-12VP21/5W	灯泡	Bulb	1	1	Y	0.0085			
6	SSC5-630702-5	尾灯罩	Tail lamp	1	1	Y	0.101	Plastic		
7	BGB/T845-ST3.5×55-37	自攻螺钉	Tapping Screws	2	2	Y	0.003	Metal		
8	SSC5-633000-5	后壳	Tail body	1	1	Y	0.06			
9	SSC5-631000-5	反射碗	After the reflector	1	1	Y	0.0565			
10	SSC5-632000-5	导线总成	Wire assembly	1	1	Y	0.0145			



序号 No.	零件代号 Part code	零件名称 Part Name	状态 State		是否 维修 Y/N Maintenance	重量 Weight	属性 Property	备注 Notes
			EPA款 EPA shall	EEC款 EEC shall				
1	SSC5-800000-1	电控阀	Electric control valve	2		Y	0.087	
2	SSC5-900000-1	电控ECU	Electronic Control ECU	1		Y	0.087	
3	SSC5-340000-0	四路保险器	Four security device	1	1	Y	0.079	
4	SSC5-540000-0	切断控制器	Cut off the controller	1	1	Y	0.0525	
5	BGB/T16674.1-M6×20-37	螺钉	Bolt	2	2	Y	0.0095	Metal
6	SSC5-230000-5	整流调节器	Rectifier regulator	1	1	Y	0.27	
7	BGB/T823-M5×16-07	螺栓	Bolt	2	2	Y	0.0075	Metal
8	F3-D20000-0	可控硅触发器C.D.I	SCR trigger C.D.I	1	1	Y	0.1715	
9	SSC5-780000-0	倒档语音提示器	Reverse voice prompts	1	1	Y	0.11	
10	SSC5-711000-2	高音喇叭体(H)	Tweeter body (H)	1	1	Y	0.1225	
11	SSC5-712000-2	低音喇叭体(L)	Subwoofer body (L)	1	1	Y	0.1225	
12	SSC5-710000-0	喇叭组合	Speaker assy	1	1	Y	0.245	
13	SSC5-770000-5	应急信号控制器	Emergency Signal Controllers	1	1	Y	0.159	
14	SSC5-510000-0	总开关锁	Master switch lock	1		Y	0.091	
15	SSC4-400000-2	开关锁组合	Switch Lock assy		1	Y	0.112	
16	SSC5-360000-0	外接电源插座	External power supply socket	1	1	Y	0.047	
17	SSC5-320000-5-L01	电缆	Cable	1	1	Y	0.67	
18	SSL0-006000-0	箍带1(长)	Bands 1 (long)	11	11	Y	0.005	
19	SSL0-007000-0	箍带2 (短)	Bands 2 (short)	2	2	Y	0.002	
20	F3-D10000-0	点火线圈	Ignition Coil	1	1	Y	0.15	
21	BGB/T9074.1-M5×20-37	螺栓组合件	Bolt assembly	2	2	Y	0.006	Metal
22	SSC5-533000-0	后制动开关	Rear brake switch	1	1	Y	0.0255	
23	BGB/T5285-ST6.3×19-W2	自攻螺钉	Tapping Screws	1	1	Y	0.005	Metal
24	SSC5-311000-0	电解液	Electrolyte	1	1	Y	1.13	
25	SSC5-330000-5	负极导线	Negative wire	1	1	Y	0.0135	



序号 No.	零件代号 Part code	零件名称 Part Name		状态 State		是否 维修 Y/N Mainte- nance	重量 Weight	属性 Property	备注 Notes
				EPA款 EPA shall	EEC款 EEC shall				
26	SSC5-370000-5	正极导线	Cathode wire	1	1	Y	0.034		
27	SSC5-310000-0	蓄电池	Battery	1	1	Y	3.3		
28	SSA0-000408-0	螺母夹M5	M5 Nut clip	1	1	Y	0.003	Metal	
29	SSC5-501000-0	风扇电机控制器	Fan Motor Controller	1	1	Y	0.0795		
30	BGB/T5783-M5×16-32	螺栓	Bolt	1	1	Y	0.0025	Metal	
31	JS150-00-06	切断继电器	Cut off relay	1	1	Y	0.086		
32	F3-D30000-0	起动继电器组合	Starting relay assy	1	1	Y	0.144		



序号 No.	零件代号 Part code	零件名称 Part Name	状态 State		是否 维修 Y/N Maintenance	重量 Weight	属性 Property	备注 Notes
			EPA款 EPA shall	EEC款 EEC shall				
1	SSC0-000505-ZT	后货架警告标志	Warning signs after shelf	1	1	Y	0.008	
2	SSC0-000501-5ZT	油箱左贴花	The left fuel tank decals	1	1	Y	0.005	
3	SSC0-000403-ZT	警告标牌3	Warning signs 3	1		Y	0.0189	PVC不干胶 PVC sticker
	SSC0-000403-2ZT	警告标牌3	Warning signs 3		1	Y	0.0189	Aluminium 铝牌 Aluminum license
4	SSMTH-000507-3	警告标志2	Warning signs 2	1		Y	0.015	PVC不干胶 PVC sticker
	SSC0-000402-2ZT	警告标志2	Warning signs 2		1	Y	0.015	Aluminium 铝牌 Aluminum license
5	SSC0-000504-ZT	前货架警告标志	Warning signs before the shelf	1	1	Y	0.008	Metal
6	SSC0-000401-ZT	警告标牌1	Warning Signs 1	1		Y	0.0176	PVC不干胶 PVC sticker
	SSC0-000401-2ZT	警告标牌1	Warning Signs 1		1	Y	0.0176	Aluminium 铝牌 Aluminum license
7	SSC0-000506-5ZT	水晶标牌	Crystal Signs	1	1	Y	0.005	
8	SSC0-000502-5ZT	油箱右贴花	Right fuel tank decals	1	1	Y	0.005	
9	BGB/T12618-3.2×11-W1	抽芯铆钉	Blind rivets		12	Y	0.001	Metal
10	SSC0-000503-5ZT	左侧盖贴花	Left side cover decals	1	1	Y		
11	SSC0-000504-5ZT	右侧盖贴花	The right side cover decals	1	1	Y		



零件号码索引

Parts No Index Chart

件号	图号
BGB/T12618-3.2×11-W1	24-9
BGB/T12618-3.2×7-W1	1-16
BGB/T15766.1-12V 21W	21-4
BGB/T16674.1-M10×105-37	1-15
BGB/T16674.1-M10×115-37	1-7
BGB/T16674.1-M10×50-37	10-12
BGB/T16674.1-M10×70-37	10-9
BGB/T16674.1-M10×85-37	1-13
BGB/T16674.1-M12×75-37	1-25
BGB/T16674.1-M6×12-37	1-18
BGB/T16674.1-M6×12-37	10-1
BGB/T16674.1-M6×12-37	18-13
BGB/T16674.1-M6×16-37	3-1
BGB/T16674.1-M6×16-37	5-5
BGB/T16674.1-M6×20-37	1-5
BGB/T16674.1-M6×20-37	23-5
BGB/T16674.1-M8×12-37	12-17
BGB/T16674.1-M8×16-37	1-29
BGB/T16674.1-M8×16-37	6-1
BGB/T16674.1-M8×16-37	9-5
BGB/T16674.1-M8×16-37	14-24
BGB/T16674.1-M8×20-37	6-6
BGB/T16674.1-M8×20-37	14-3
BGB/T16674.1-M8×40-37	19-15
BGB/T16674.1-M8×55-32	8-9
BGB/T16674.1-M8×55-37	1-30
BGB/T16674.1-M8×85-37	1-14
BGB/T276-16008	11-41
BGB/T276-16013	13-7
BGB/T276-6006-RS	18-18
BGB/T276-6007	11-8
BGB/T276-6008-Z	13-19
BGB/T276-6203-2RS	1-33
BGB/T276-6206-2RS	12-9
BGB/T276-6305	13-25
BGB/T297-30203	12-6
BGB/T3452.1-14×2.65G	19-33
BGB/T3452.1-140.0×2.65	11-22
BGB/T3452.1-155×2.65G	13-5

件号	图号
BGB/T3452.1-28.0×2.65	11-31
BGB/T3452.1-30×1.8G	19-11
BGB/T3452.1-85×3.55G	13-1
BGB/T5285-ST6.3×19-W2	23-23
BGB/T5287-6-37	22-2
BGB/T5782-M8×60-37	8-1
BGB/T5783-M5×16-32	23-30
BGB/T5783-M6×12-37	19-22
BGB/T5783-M8×20-37	2-3
BGB/T5786-M10×1.25×14.5-37	11-21
BGB/T6170-M20×1.75-37	12-15
BGB/T6170-M6-32	22-1
BGB/T6176-M12×1.25-32	8-22
BGB/T6176-M12×1.25LH-31	8-17
BGB/T6177.1-M6-37	19-24
BGB/T6177.2-M14×1.5-37	11-34
BGB/T6177-M6-37	7-25
BGB/T6184-M10-37	1-6
BGB/T6184-M10-37	10-15
BGB/T6184-M6-32	21-8
BGB/T6184-M6-37	4-14
BGB/T6184-M6-37	5-4
BGB/T6184-M6-37	14-21
BGB/T6184-M6-37	15-29
BGB/T6187.1-M10-37	1-11
BGB/T6187.1-M10-37	10-6
BGB/T6187.1-M12-37	1-24
BGB/T6187.1-M6-32	5-5
BGB/T6187.1-M6-37	5-5
BGB/T6187.1-M8-37	1-10
BGB/T6187.1-M8-37	1-27
BGB/T6187.2-M14×1.5-37	8-20
BGB/T6187-M6-32	17-4
BGB/T70.3-M8×25-37	11-11
BGB/T77-M8×10-37	11-29
BGB/T818-M6×16-02	15-18
BGB/T819.1-M5×12-02	1-4
BGB/T823-M5×16-07	23-7
BGB/T823-M6×65-32	17-9

件号	图号
BGB/T845-ST2.9×22-32	16-6
BGB/T845-ST3.5×55-37	22-7
BGB/T845-ST4.2×13-W2	4-17
BGB/T845-ST4.2×13-W2	21-7
BGB/T845-ST4.2×9.5-02	7-24
BGB/T845-ST4.2×9.5-W2	4-10
BGB/T845-ST4×12-W2	20-9
BGB/T879.1-4×26-W7	11-19
BGB/T894.1-19-B8	11-52
BGB/T894.1-22-B8	13-32
BGB/T894.2-32-B8	10-13
BGB/T896-12-B8	14-9
BGB/T9074.15-M6×40-32	15-4
BGB/T9074.15-M8×25-37	11-24
BGB/T9074.1-M5×20-37	20-3
BGB/T9074.1-M5×20-37	23-21
BGB/T9074.1-M8×25-37	13-3
BGB/T9074.1-M8×30-37	9-3
BGB/T9074.4-M5×20-37	21-3
BGB/T91-3.2×24-W2	1-22
BGB/T91-3.2×24-W2	8-14
BGB/T91-3.2×24-W2	10-18
BGB/T91-3.2×24-W2	18-2
BGB/T91-4×30-W2	19-2
BGB/T93-20-37	12-14
BGB/T93-6-32	17-8
BGB/T93-8-B7	2-5
BGB/T9459-M12×1.25-32	10-17
BGB/T9459-M12×1.25-37	8-13
BGB/T947-M6×16-37	15-24
BGB/T947-M6×20-37	4-4
BGB/T947-M6×20-37	5-2
BGB/T947-M6×20-37	14-19
BGB/T96.1-16-32	18-4
BGB/T96.1-16-32	19-5
BGB/T96.1-6-37	4-13
BGB/T96.1-6-37	5-3
BGB/T96.1-6-37	14-20
BGB/T96.1-6-37	15-28

件号	图号
BGB/T96.1-8-37	2-4
BGB/T97.1-10-140HV-37	11-20
BGB/T97.1-12-32	1-21
BGB/T97.1-12-32	8-15
BGB/T97.1-5-32	4-21
BGB/T97.1-6-32	7-13
BGB/T97.1-6-32	14-14
BGB/T97.1-6-32	15-17
BGB/T97.1-6-32	17-7
BGB15766.1-12VP21/5W	22-5
BJB/T6659-1.22×17	12-3
BJB/T6659-11.8×1.22	19-9
BQ/JRYP1-CM6×14-37	1-8
BQ/JRYP1-CM6×14-37	15-10
BQ/JRYP1-CM6×16-37	4-1
BQ/JRYP1-CM6×16-37	6-8
BQ/JRYP1-CM6×16-37	10-4
BQ/JRYP1-CM6×20-37	5-5
BQ/JRYP1-CM6×20-37	5-5
BQ/JRYP1-CM6×20-37	6-5
BQ/JRYP1-CM6×20-37	7-2
BQ/JRYP1-CM6×20-37	14-28
BQ/JRYP1-CM6×20-37	15-27
BQ/JRYP33-M10×1.25×22-37	14-4
BQ/JRYP33-M10×1.25×25-37	12-16
BQ/JRYP33-M10×1.25×45-6g-37	13-2
BQ/JRYP33-M12×1.25×25-37	12-8
BQ/JRYP34-M10×1.25-37	13-24
BQ/JRYP34-M12×1.25-37	12-11
CY80-00-10	7-14
CY80-00-10	14-15
CY80-23-13	19-26
EFB-760000-0	3-8
F15-700602-0	3-2
F15-700701-0	3-4
F15-700703-0	3-6
F15-705000-0	3-3
F3-584000-0	11-47
F3-586000-0	11-49

件号	图号
F3-660000-5	16-3
F3-660002-5	16-5
F3-660501-5	16-1
F3-660601-5	16-2
F3-660602-5	16-7
F3-700606-F2	3-5
F3-700607-F2	3-7
F3-700851-0	2-2
F3-710000-F2	2-6
F3-710000-F3	2-6
F3-730000-F2	2-1
F3-730000-F3	2-1
F3-D10000-0	23-20
F3-D20000-0	23-8
F3-D30000-0	23-32
F3-D90000-5	16-4
FG-500404-0	11-27
FG-508000-0	11-28
FG-580402-0	11-46
FG-586000-0	11-45
GB/T2836.1-1999	19-32
GB12836.1-1999	18-9
GB15766.1-12V H21 21W	20-7
GB15766.1-12V HS1 35W/35W	20-4
GB15766.1-12V W5W	20-6
JS125-00-26	7-12
JS125-00-26	14-13
JS150-00-06	23-31
JS150-30-53	7-17
JS150-30-54	7-16
JS183FMQ-2-00	2-7
JS183FMQ-3-00	2-7
QH0-000404-0	21-2
QTO-000602-0	22-3
SSA0-000002-0	15-6
SSA0-000005-0	12-2
SSA0-000006-0	12-20
SSA0-000007-0	12-1
SSA0-000010-0	1-19

件号	图号
SSA0-000011-0	8-4
SSA0-000013-0	18-3
SSA0-000013-0	19-3
SSA0-000201-0	7-15
SSA0-000201-0	14-16
SSA0-000301-0	18-5
SSA0-000301-0	19-4
SSA0-000402-2	1-35
SSA0-000403-0	15-5
SSA0-000404-0	12-19
SSA0-000405-0	19-12
SSA0-000406-0	19-16
SSA0-000407-0	8-2
SSA0-000408-0	20-2
SSA0-000408-0	21-16
SSA0-000408-0	23-28
SSA0-000506-0	12-24
SSA0-000507-0	8-5
SSA0-000512-0	1-2
SSA0-000603-0	5-5
SSA0-000604-0	18-1
SSA0-000604-0	19-1
SSA0-000605-0	12-18
SSA0-000607-0	8-6
SSA0-000608-0	15-7
SSA0-000609-0	15-13
SSA0-000610-0	5-5
SSA0-000802-0	13-12
SSA0-000802-0	19-14
SSA0-004001-2	12-13
SSA0-009000-0	19-8
SSA0-010401-0	5-5
SSA0-011000-0	1-20
SSA0-012000-0	8-3
SSA0-017000-0	19-31
SSA3-212000-0	10-7
SSA3-310601-0	15-16
SSA3-610001-0	12-4
SSA3-614000-0	12-5

件号	图号
SSA3-617000-0	12-10
SSA3-930001-0	13-23
SSA3-930002-0	13-21
SSA3-930003-0	11-5
SSA3-930003-0	13-17
SSA3-930004-0	13-30
SSA3-930201-0	13-15
SSA3-930202-0	13-20
SSA3-930203-0	13-4
SSA3-930402-0	13-10
SSA3-930403-0	13-8
SSA3-930601-0	13-29
SSA3-931000-0	13-18
SSA3-932000-0	13-28
SSA3-933000-0	13-14
SSA3-934000-0	13-6
SSA3-935000-0	13-13
SSA3-936000-0	13-22
SSA4-310402-0	19-21
SSA4-310404-0	19-23
SSA4-310701-0	19-35
SSA4-312002-0	18-10
SSA4-312002-0	19-10
SSA4-312002-0	19-29
SSA4-314000-0	19-17
SSA4-320001-0	19-18
SSA4-321000-0	19-20
SSA4-400000-2	1-3
SSA4-500000-2	7-20
SSA4-510000-2	7-21
SSA4-520000-2	7-22
SSA4-601501-0	8-8
SSA4-605000-0	8-19
SSA4-606000-0	8-16
SSB4-310001-0	18-12
SSCO-000001-0	11-54
SSCO-000002-0	13-31
SSCO-000003-0	18-16
SSCO-000401-2ZT	24-6

件号	图号
SSCO-000401-ZT	24-6
SSCO-000402-2ZT	24-4
SSCO-000403-0	1-17
SSCO-000403-2ZT	24-3
SSCO-000403-ZT	24-3
SSCO-000404-0	1-12
SSCO-000406-0	11-51
SSCO-000407-0	18-14
SSCO-000410-0	14-8
SSCO-000411-5	4-22
SSCO-000411-5	14-27
SSCO-000412-5	6-3
SSCO-000413-5	5-5
SSCO-000414-5	14-23
SSCO-000501-5	6-7
SSCO-000501-5ZT	24-2
SSCO-000502-5	14-25
SSCO-000502-5ZT	24-8
SSCO-000503-5	14-11
SSCO-000503-5ZT	24-10
SSCO-000504-5ZT	24-11
SSCO-000504-ZT	24-5
SSCO-000505-5	15-25
SSCO-000505-ZT	24-1
SSCO-000506-5	14-26
SSCO-000506-5ZT	24-7
SSCO-000507-5	14-22
SSCO-000508-5	4-12
SSCO-000509-5	4-2
SSCO-000510-5	5-5
SSCO-000511-5	4-6
SSCO-000512-5	4-3
SSCO-000513-0	1-9
SSCO-000513-5	7-1
SSCO-000514-0	10-10
SSCO-000514-5-T01	4-16
SSCO-000514-5-U01	4-16
SSCO-000514-5-V01	4-16
SSCO-000514-5-W01	4-16

件号	图号
SSCO-000514-5-X01	4-16
SSCO-000514-5-Y01	4-16
SSCO-000514-5-Z01	4-16
SSCO-000515-0	10-5
SSCO-000515-5	4-15
SSCO-000516-5	4-5
SSCO-000517-5	4-18
SSCO-000518-5	4-8
SSCO-000519-5	4-7
SSCO-000520-5	4-11
SSCO-000521-5	4-9
SSCO-000522-5	5-5
SSCO-000523-5	5-1
SSCO-000601-0	11-53
SSCO-000602-0	11-48
SSCO-000603-0	18-15
SSCO-000604-0	11-25
SSCO-000605-0	13-11
SSCO-000606-0	5-5
SSCO-000607-0	19-19
SSCO-000608-0	5-5
SSCO-000610-0	15-14
SSCO-000701-0	14-7
SSCO-000702-0	15-20
SSCO-000703-0	11-26
SSCO-000704-0	11-50
SSCO-001000-0	1-28
SSCO-002000-0	12-23
SSCO-003000-0	15-21
SSCO-005000-0	18-8
SSCO-007000-0	15-12
SSCO-010000-5	5-5
SSCO-020000-5	15-23
SSCO-030000-5	15-3
SSCO-040000-5	5-5
SSCO-050000-5-T01	5-5
SSCO-050000-5-U01	5-5
SSCO-050000-5-V01	5-5
SSCO-050000-5-W01	5-5

件号	图号
SSC0-050000-5-X01	5-5
SSC0-050000-5-Y01	5-5
SSC0-050000-5-Z01	5-5
SSC0-060000-5	5-5
SSC0-061000-5	8-23
SSC0-070000-5	5-5
SSC3-100001-0	1-32
SSC3-100601-0	1-26
SSC3-100601-0	14-2
SSC3-101000-5	1-1
SSC3-102000-0	1-31
SSC3-103000-0	1-34
SSC3-211000-0	10-11
SSC3-212000-0	10-14
SSC3-220001-0	18-20
SSC3-220201-0	18-26
SSC3-220401-0	10-20
SSC3-221000-0	18-17
SSC3-222000-0	18-21
SSC3-231000-0	10-16
SSC3-241000-0	10-19
SSC3-250201-0	18-19
SSC3-250401-0	10-2
SSC3-261000-0	10-8
SSC3-310401-0	15-22
SSC3-310401-0	15-26
SSC3-310501-0	15-9
SSC3-310502-0	15-8
SSC3-310601-0	15-15
SSC3-311000-0	15-2
SSC3-312000-0	15-1
SSC3-312000-OAA	15-1
SSC3-314000-0	15-11
SSC3-320000-0	15-19
SSC3-410000-5	17-1
SSC3-410001-5	17-5
SSC3-410401-5	17-6
SSC3-410601-5	17-2
SSC3-410602-5	17-3

件号	图号
SSC3-510000-0	10-3
SSC3-520000-0	1-23
SSC3-610601-0	12-22
SSC3-611000-0	12-7
SSC3-612000-0	12-12
SSC3-614000-0	12-21
SSC3-660000-5	14-18
SSC3-670000-5	14-1
SSC3-680000-5	14-17
SSC3-710000-5	6-2
SSC3-720000-5	6-10
SSC3-730000-5	6-9
SSC3-810601-0	18-6
SSC3-810601-2	18-6
SSC3-811000-0	18-7
SSC3-813000-0	18-24
SSC3-813000-2	18-24
SSC3-814000-0	18-25
SSC3-814000-2	18-25
SSC3-820601-0	19-6
SSC3-820601-2	19-6
SSC3-821000-0	19-7
SSC3-823000-0	19-30
SSC3-823000-2	19-30
SSC3-824000-0	19-34
SSC3-824000-2	19-34
SSC3-920001-0	19-28
SSC3-930001-0	13-34
SSC3-930401-0	13-35
SSC3-930402-0	11-7
SSC3-930402-0	13-27
SSC3-930402-OA	11-7
SSC3-930402-OB	11-7
SSC3-930402-OC	11-7
SSC3-930402-OE	11-7
SSC3-930402-OF	11-7
SSC3-937000-0	13-33
SSC3-937301-0	13-26
SSC3-938000-0	13-9

件号	图号
SSC3-960000-0	11-1
SSC3-960001-0	11-44
SSC3-960002-0	11-33
SSC3-960003-0	11-38
SSC3-960004-0	11-30
SSC3-960301-0	11-40
SSC3-960302-0	11-39
SSC3-960303-0	11-36
SSC3-960304-0	11-43
SSC3-960402-0	11-42
SSC3-961201-0	11-3
SSC3-962000-0	11-23
SSC3-963000-0	11-4
SSC3-963001-0	11-16
SSC3-963002-0	11-13
SSC3-963201-0	11-18
SSC3-963301-0	11-14
SSC3-963302-0	11-15
SSC3-963303-0	11-9
SSC3-963401-0	11-17
SSC3-963402-0	11-12
SSC3-963403-0	11-10
SSC3-965000-0	11-35
SSC3-966000-0	11-2
SSC3-967000-0	11-32
SSC3-970000-0	18-23
SSC3-970701-0	18-22
SSC4-100701-0	7-7
SSC4-102000-0	7-18
SSC4-210000-0	7-9
SSC4-230000-0	7-5
SSC4-230000-2	9-6
SSC4-230202-2	14-10
SSC4-230404-2	14-6
SSC4-250000-0	7-11
SSC4-291000-5	4-20
SSC4-292000-0	4-19
SSC4-320701-0	19-27
SSC4-322000-0	19-25

件号	图号
SSC4-323000-0	19-13
SSC4-331000-5	14-5
SSC4-332000-0	14-12
SSC4-350000-2	9-1
SSC4-350001-0	18-11
SSC4-355000-0	9-4
SSC4-400000-2	23-15
SSC4-570000-5	7-4
SSC4-600201-0	8-10
SSC4-600202-0	8-11
SSC4-601000-0	8-12
SSC4-602000-0	8-21
SSC4-603000-0	8-7
SSC4-603001-0	8-18
SSC5-230000-5	23-6
SSC5-310000-0	23-27
SSC5-311000-0	23-24
SSC5-320000-5-L01	23-17
SSC5-330000-5	23-25
SSC5-340000-0	23-3
SSC5-360000-0	23-16
SSC5-370000-5	23-26
SSC5-400000-5	7-10
SSC5-501000-0	23-29
SSC5-510000-0	23-14
SSC5-531000-0	9-2
SSC5-532000-0	7-19
SSC5-533000-0	23-22
SSC5-540000-0	23-4
SSC5-560000-0	7-8
SSC5-570000-5	7-26
SSC5-580000-5	11-37
SSC5-590000-5	7-23
SSC5-611000-5	20-5
SSC5-611001-5	20-8
SSC5-612000-5	20-1
SSC5-612001-5	20-10
SSC5-630000-5	22-4
SSC5-630702-5	22-6

件号	图号
SSC5-631000-5	22-9
SSC5-632000-5	22-10
SSC5-633000-5	22-8
SSC5-641000-5	21-1
SSC5-641001-5	21-12
SSC5-641701-5	21-6
SSC5-641702-5	21-10
SSC5-641703-5	21-11
SSC5-642000-5	21-17
SSC5-642001-5	21-15
SSC5-642701-5	21-13
SSC5-642702-5	21-14
SSC5-642703-5	21-5
SSC5-710000-0	23-12
SSC5-711000-2	23-10
SSC5-712000-2	23-11
SSC5-770000-5	23-13
SSC5-780000-0	23-9
SSC5-800000-1	23-1
SSC5-900000-1	23-2
SSL0-006000-0	23-18
SSL0-007000-0	7-6
SSL0-007000-0	23-19
SSM0-005000-0B	21-9
SSMTH-000507-3	24-4
ZA1-600401-0	11-6
ZA1-600401-0	13-16
ZA4-100501-0	7-3
ZB0-000606-0	6-4

件号	图号
----	----

