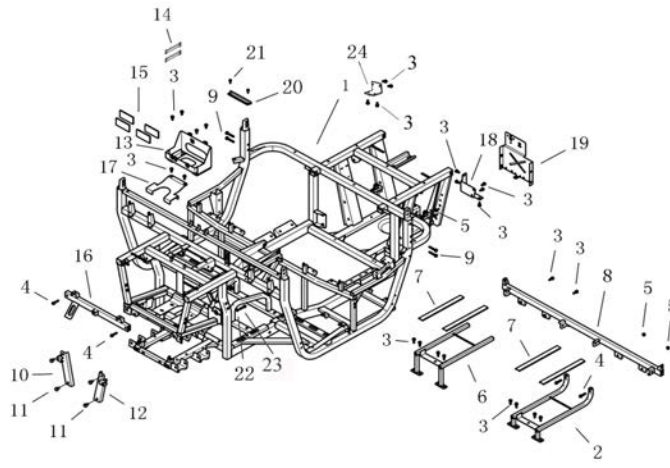


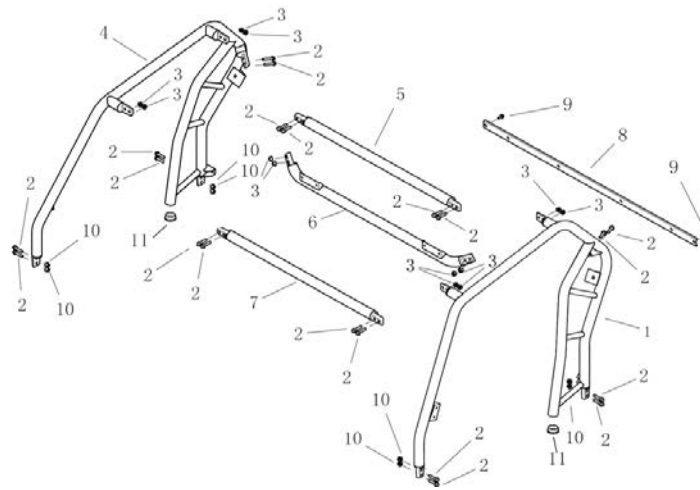
800GTD Parts Catalogue

FRAME



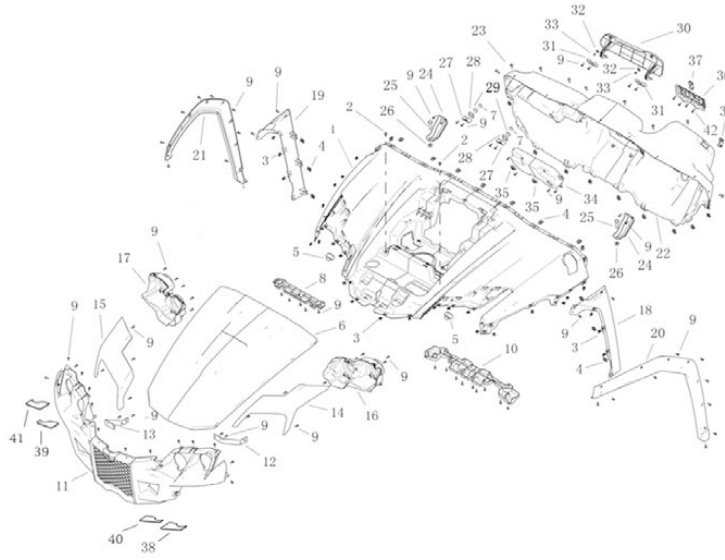
REF. No.	DESCRIPTION	QTY	PART NUMBER	SPEC 1	PLM SPEC 2
1	Frame	1	84150	LH800U-2D.1.1	4CH-21110-00
2	Bracket. L	1	84227	LH800U-2D(R).1.3.1	4CJ-21123-00
3	Hexagon Flange Bolt M8×1.25×20	25	10081	GB/T16674.1	B11L30820R
4	Hexagon Flange Bolt M8×1.25×40	4	10218	GB/T16674.1	B11L30840R
5	Hexagon Nut M8×1.25	4	10794	GB6187.1	B51F20800R
6	Bracket. R	1	84228	LH800U-2D(R).1.3.2	4CJ-21124-00
7	Rubber Damper	4	73106	4CF-21115-00	4CF-21115-00
8	Bracket	1	84229	LH800U-2D(R).1.3.3	4CJ-21125-00
9	Hexagon Flange Bolt M8×1.25×55	4	10511	GB/T16674.1	B11A30855R
10	Bracket, Support, RH	1	73107	LH700U.1.11	4CF-21155-00
11	Hexagon Flange Bolt M10×1.25×45	4	10163	GB/T16674.2	B12D31020R
12	Bracket, Support, LH	1	73108	LH700U.1.12	4CF-21156-00
13	Battery Box	1	73307	LH700U.1.13	4CF-8212B-00
14	Battery Belt	2	73396	LH800U-D.1.6	4CA-82131-00
15	Sponge	4	73395	LH800U-D.16.1-1	4CA-21812-00
16	Bracket, Support, Upper	1	73110	LH700U.1.16	4CF-21158-00
17	Bracket. Radiator	1	73094	LH700U.1-11	4CF-21440-00
18	Licence Bracket 1	1	84151	LH800U-2D.1.11	4CH-21114-00
19	Licence Bracket 2	1	84152	LH800U-D.1.7	4CH-21115-00
20	Bracket	1	84226	LH800U-2D(R).1-1	4CJ-21114-00
21	Hexagon Flange Bolt M6×20	2	10081	GB/T16674.1	B11A20820R
22	Hexagon Nut M8×1.25	1	10099	GB/T6170	B55F30800R
23	Hexagon Flange Bolt M8×1.25×28	1	10060	GB/T16674.1	B11A20828R
24	Bracket. Rear Gearbox	1	84246	LH800U-D.1-1	4CA-2116B-00

FRAME ROOF



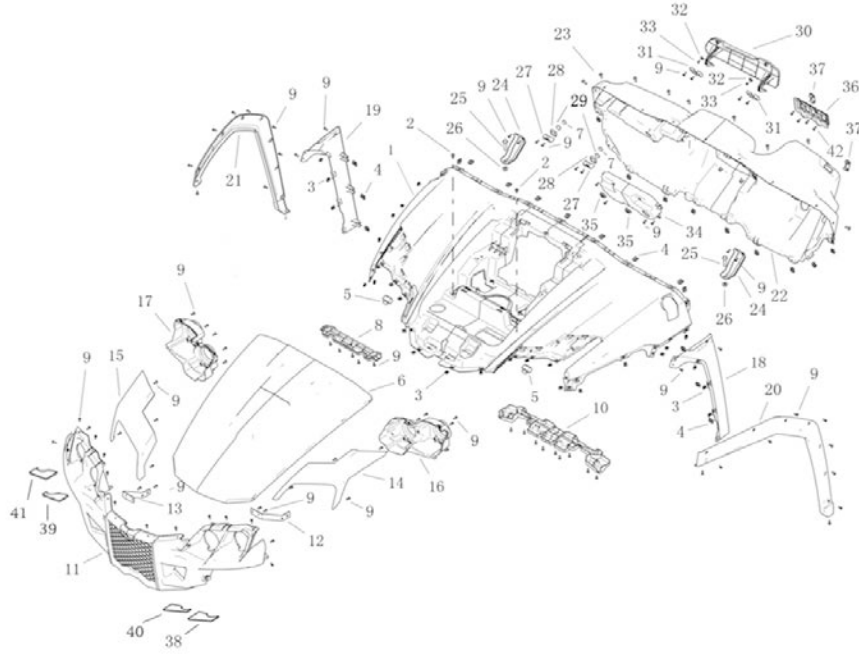
REF. No.	DESCRIPTION	QTY	PART NUMBER	SPEC 1	PLM SPEC 2
1	Member, Roof Frame 1	1	84215	LH800U-2D.1.2.1	4CH-78301-00
2	Hexagon Flange Bolt M10×1.25×45	20	10512	GB/T16674.2	B12D31045R
3	Prevailing Torque Hexagon Nut With Flange M10×1.25	12	10795	GB/T6187.2	B52G31000A
4	Member, Roof Frame 2	1	84216	LH800U-2D.1.2.2	4CH-78302-00
4	Member, Roof Frame 2, French Special	1	84216A	LH800U-2D.1.2.2a	4CH-78305-00
5	Member, Roof Frame 3	1	73300	LH700U.1.2.3	4CF-78392-00
6	Member, Roof Frame 4	1	73301	LH700U.1.2.4	4CF-78393-00
7	Member, Roof Frame 5	1	73303	LH700U.1.2.5	4CF-78395-00
8	Bracket, Seat	1	73302	LH700U.1.2-1	4CF-78394-00
9	Hexagon Flange Bolt M8×1.25×30	2	10783	GB/T16674.1	B11C30820R
10	Prevailing Torque Hexagon Nut M10×1.25	8	10879	GB/T6185.2	B5NH61000A
11	Plug	2	26763	LH300CUV.21-1	4CC-28412-00

FRONT FENDER



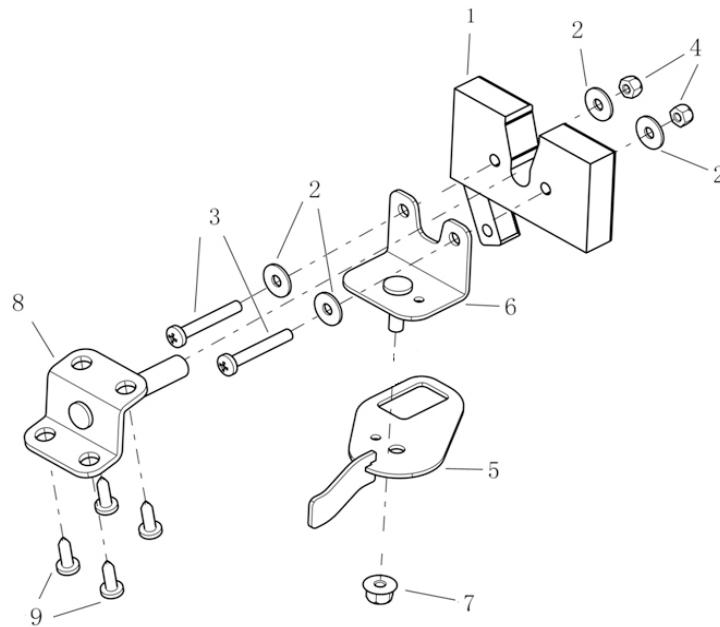
REF. No.	DESCRIPTION	QTY	PART NUMBER	SPEC 1	PLM SPEC 2
1	Fixed Hood . Yellow	1	73209y	LH700U.2-32Y	4CF-2830Y-00
1	Fixed Hood . White	1	73209w	LH700U.2-32W	4CF-2830W-00
1	Fixed Hood . Green	1	73209g	LH700U.2-32G	4CF-2830G-00
1	Fixed Hood . Camouflage	1	73209c	LH700U.2-32C	4CF-2830C-00
1	Fixed Hood . Red	1	73209r	LH700U.2-32R	4CF-2830R-00
1	Fixed Hood . Black	1	73209b	LH700U.2-32B	4CF-2830B-00
2	Screw M6×16	2	73054	LH800U-D.2-22B	4CA-24832-00
3	Spring Nut ST4.8	29	22346	LYM100T.6-2	3AE-28317-00
4	Spring Nut M6	26	70960	LH300CUV.2-57	4CC-21811-00
5	Rubber, Hood	2	73210	LH700U.2-72	4CF-28302-00
6	Removable Hood . Yellow	1	73211y	LH700U.2-39Y	4CF-2831Y-00
6	Removable Hood . White	1	73211w	LH700U.2-39W	4CF-2831W-00
6	Removable Hood . Green	1	73211g	LH700U.2-39G	4CF-2831G-00
6	Removable Hood . Camouflage	1	73211c	LH700U.2-39C	4CF-2831C-00
6	Removable Hood . Red	1	73211r	LH700U.2-39R	4CF-2831R-00
6	Removable Hood . Black	1	73211b	LH700U.2-39B	4CF-2831B-00
7	Sticker . Magnet	2	73407		4CF-283TA-00
8	Retainer, Removable Hood	1	73212	LH700U.2-61	4CF-28305-00
9	Cross Recessed Pan Head Tapping Screw ST4.8×16	92	10009	GB/T845	B21L34J160
10	Stronger, Fixed Hood	1	73213	LH700U.2-60	4CF-28306-00
11	Grill, Front	1	73214	LH700U.2-35	4CF-28307-00
12	LH Bracket, Grill	1	73215	LH700U.2-77	4CF-28308-00
13	RH Bracket, Grill	1	73216	LH700U.2-78	4CF-28309-00
14	LH Front Cover	1	73217	LH700U.2-36	4CF-28310-00
15	RH Front Cover	1	73218	LH700U.2-37	4CF-28311-00
16	LH Headlight Cover	1	73219	LH700U.2-33	4CF-28312-00
17	RH Headlight Cover	1	73220	LH700U.2-34	4CF-28313-00
18	LH Lower Front Mudguards . Yellow	1	73221y	LH700U.2-21Y	4CF-2832Y-00
18	LH Lower Front Mudguards . White	1	73221w	LH700U.2-21W	4CF-2832W-00
18	LH Lower Front Mudguards . Green	1	73221g	LH700U.2-21G	4CF-2832G-00
18	LH Lower Front Mudguards . Camouflage	1	73221c	LH700U.2-21C	4CF-2832C-00
18	LH Lower Front Mudguards . Red	1	73221r	LH700U.2-21R	4CF-2832R-00
	LH Lower Front Mudguards . Black	1	73221b	LH700U.2-21B	4CF-2832B-00
19	RH Lower Front Mudguards . Yellow	1	73222y	LH700U.2-22Y	4CF-2833Y-00
19	RH Lower Front Mudguards . White	1	73222w	LH700U.2-22W	4CF-2833W-00
19	RH Lower Front Mudguards . Green	1	73222g	LH700U.2-22G	4CF-2833G-00
19	RH Lower Front Mudguards . Camouflage	1	73222c	LH700U.2-22C	4CF-2833C-00
19	RH Lower Front Mudguards . Red	1	73222r	LH700U.2-22R	4CF-2833R-00
19	RH Lower Front Mudguards . Black	1	73222b	LH700U.2-22B	4CF-2833B-00
20	LH Upper Front Mudguards	1	73223	LH700U.2-19	4CF-28316-00
21	RH Upper Front Mudguards	1	73224	LH700U.2-20	4CF-28317-00
22	Panel, Instrument	1	84188	LH800U-2D.2-38	4CH-28308-00
23	Screw M6×20	9	73056	LH800U-D.2-22C	4CA-24834-00
24	Bracket, Instrument Panel	2	73226	LH700U.2-71	4CF-28319-00
25	Hexagon Flange Bolt M10×1.25×40 8.8	2	10786	GB/T16674.2	B12D31040A
26	Prevailing Torque Type All-metal Hexagon Nut Fine Pitch M10×1.25	2	10795	GB/T6187.2	B52G31000A

FRONT FENDER



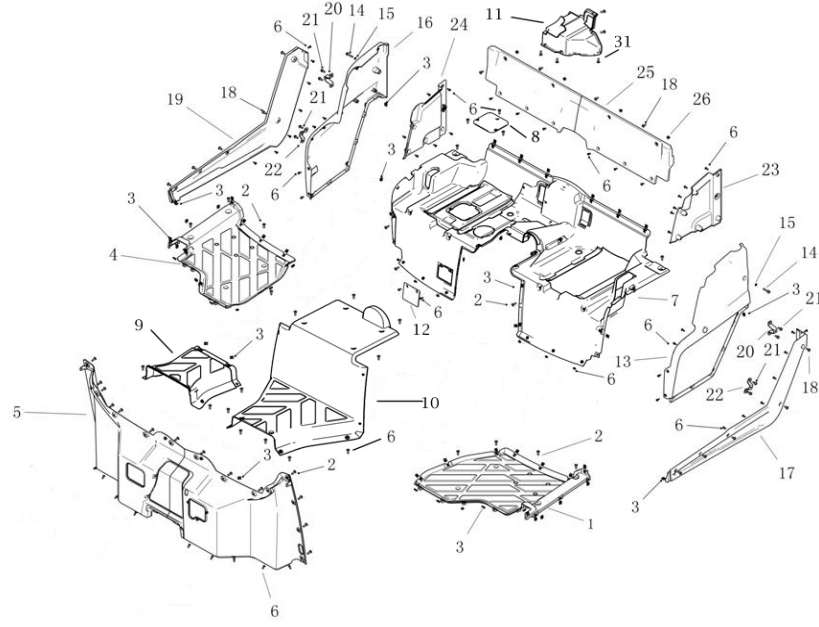
REF. No.	DESCRIPTION	QTY	PART NUMBER	SPEC 1	PLM SPEC 2
27	Cover, Magnet	2	73227	LH700U.2-42	4CF-28320-00
28	Holder, Magnet	2	73228	LH700U.2-20	4CF-28321-00
29	Magnet	2	73229	LH700U.2-T03	4CF-28322-00
30	Cover, Glovebox	1	73230	LH700U.2-23	4CF-28323-00
31	Retainer, Glovebox Cover	2	73231	LH700U.2-57	4CF-28324-00
32	Steel Block	2	73232	LH700U.2-79	4CF-28325-00
33	Cross Recessed Countersunk Head Screw M4×10	2	10787	GB/T819.1	B24A20410R
34	Cover, Meter	1	73233	LH700U.2-14	4CF-28326-00
35	Rubber, Meter	2	22351	LH520ATV.2-41	4AB-28361-00
36	Panel, Switch Mounting	1	73234	LH700U.2-65	4CF-28327-00
36	Panel, Switch Mounting, for stereo	1	84205		4CH-28338-00
37	Cap, Electrical Switch	6	73048	LH800U-D.2-9	4CA-22417-00
38	Aluminum Film2. LH	1	73406		4CF-215T4-00
39	Aluminum Film1. RH	1	73403		4CF-215T1-00
40	Aluminum Film1. LH	1	73404		4CF-215T2-00
41	Aluminum Film2. RH	1	73405		4CF-215T3-00
42	Cross Recessed Pan Head Tapping Screw ST4.8×13	4	10052	GB/T845	B21B34C13R

HOOD LATCH



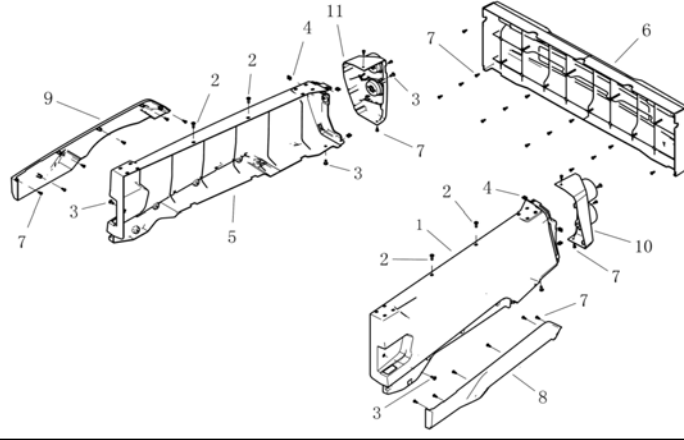
REF. No.	DESCRIPTION	QTY	PART NUMBER	SPEC 1	PLM SPEC 2
1	Lock, Removable Hood	1	73053	LH800U-D.2.1.3	4CA-24761-00
2	Washer 5 (5.3×15×1.2)	4	10207	GB/T96.1	B621305000
3	Cross Recessed Pan Head Screw M5×35	2	10427	GB/T818	B23B20535R
4	Prevailing Torque All-metal Nut M5	2	10878	GB/T6184	B57F30500R
5	Lever, Removalbe Hood Lock	1	73236	LH700U.2.17	4CF-28329-00
6	Bracket, Lever	1	73237	LH700U.2.18	4CF-28330-00
7	Prevailing Torque Type All-Metal Hexagon Nut M6	1	10793	GB/T6187.1	B51G20600R
8	Latch, Removable Hood	1	73239	LH700U.2.16	4CF-28332-00
9	Cross Recessed Pan Head Tapping Screw ST4.8×16	4	10009	GB/T845	B21L34J160

FLOOR FENDER



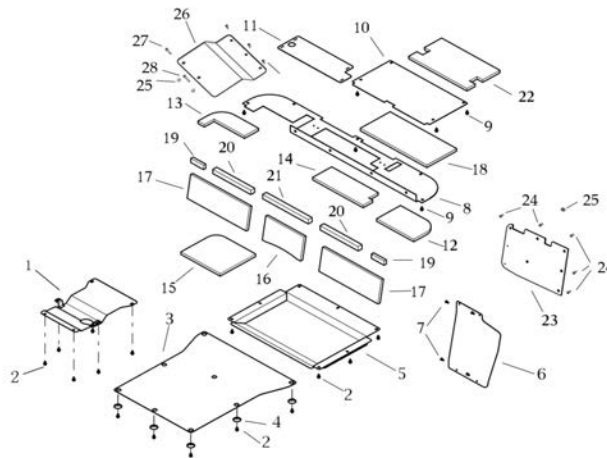
REF. No.	DESCRIPTION	QTY	PART NUMBER	SPEC 1	PLM SPEC 2
1	LH Lower Floor	1	73240	LH700U.2-29	4CF-28333-00
2	Screw M6×20	31	73056	LH800U-D.2-22C	4CA-24834-00
3	Spring Nut ST4.8	57	22346	LYM100T.6-2	3AE-28317-00
4	RH Lower Floor	1	73241	LH700U.2-30	4CF-28334-00
5	Upper Floor	1	84204	LH800U-2D.2-28	4CH-28337-00
6	Cross Recessed Pan Head Tapping Screw ST4.8×16	83	10009	GB/T845	B21L34J160
7	Rear Floor	1	84203	LH800U-2D.2-31	4CH-28336-00
8	Cover, Brake	1	84121	LH700U(R).2-47	4CG-28347-00
9	Front Cover, Footrest	1	84189	LH800U-2D.2-51	4CH-28315-00
10	Rear Cover, Footrest	1	84190	LH800U-2D.2-52	4CH-28316-00
11	Cover, Engine	1	84191	LH800U-2D.2-50	4CH-28317-00
12	Cap, Rear Floor	1	73260	LH700U.2-49	4CF-28353-00
13	LH Fender . Yellow	1	73248y	LH700U.2-15Y	4CF-2834Y-00
13	LH Fender . White	1	73248w	LH700U.2-15W	4CF-2834W-00
13	LH Fender . Green	1	73248g	LH700U.2-15G	4CF-2834G-00
13	LH Fender . Camouflage	1	73248c	LH700U.2-15C	4CF-2834C-00
13	LH Fender . Red	1	73248r	LH700U.2-15R	4CF-2834R-00
13	LH Fender . Black	1	73248b	LH700U.2-15B	4CF-2834B-00
14	Hexagon Head Bolt M6×35	2	10186B	GB/T16674.1	B11L30635R
15	Washer 6.4×11×1.6	2	10801	GB/T97.1	B638206000
16	RH Fender . Yellow	1	73249y	LH700U.2-16Y	4CF-2835Y-00
16	RH Fender . White	1	73249w	LH700U.2-16W	4CF-2835W-00
16	LH Fender . Green	1	73249g	LH700U.2-16G	4CF-2835G-00
16	RH Fender . Camouflage	1	73249c	LH700U.2-16C	4CF-2835C-00
16	RH Fender . Red	1	73249r	LH700U.2-16R	4CF-2835R-00
16	RH Fender . Black	1	73249b	LH700U.2-16B	4CF-2835B-00
17	LH Side Cover	1	84206	LH800U-2D.2-17	4CH-28343-00
18	Screw M6×16	14	73054	LH800U-D.2-22B	4CA-24832-00
19	RH Side Cover	1	84207	LH800U-2D.2-18	4CH-28344-00
20	Bracket 1, Side Cover	2	73252	LH700U.2.13	4CF-28345-00
21	Hexagon Flange Bolt M6×16 8.8	8	10140	GB/T16674.1	B11L206120
22	Bracket 2, Side Cover	2	73253	LH700U.2.14	4CF-28346-00
23	Inner, LH Fender	1	73254	LH700U.2-40	4CF-28347-00
24	Inner, RH Fender	1	73255	LH700U.2-41	4CF-28348-00
25	Rear Cover	1	73256	LH700U.2-27	4CF-28349-00
26	Prevailing Torque Type All-Metal Hexagon Nut M6	4	10793	GB/T6187.1	B51B30608R
27	Rubber	2	22349	LH260ATV.21.4-2	4AL-28330-00

PANEL BOX



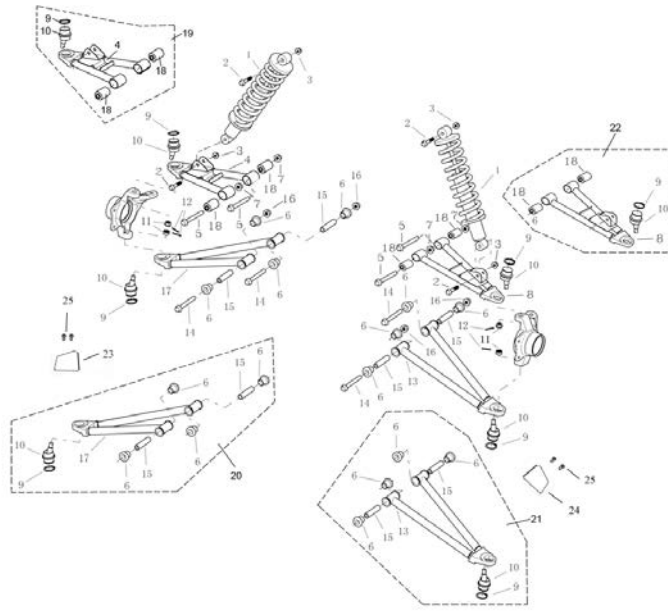
REF. No.	DESCRIPTION	QTY	PART NUMBER	SPEC 1	PLM SPEC 2
1	LH Panel, Yellow Box	1	73261y	LH700U.2-4Y	4CF-2836Y-00
1	LH Panel, White Box	1	73261w	LH700U.2-4W	4CF-2836W-00
1	LH Panel, Green Box	1	73261g	LH700U.2-4G	4CF-2836G-00
1	LH Panel, Camouflage Box	1	73261c	LH700U.2-4C	4CF-2836C-00
1	LH Panel, Red Box	1	73261r	LH700U.2-4R	4CF-2836R-00
1	LH Panel, Black Box	1	73261b	LH700U.2-4B	4CF-2836B-00
3	Screw M6×16	6	73054	LH800U-D.2-22B	4CA-24832-00
4	Spring Nut ST4.8	6	22346	LYM100T.6-2	3AE-28317-00
5	RH Panel, Yellow Box	1	73262y	LH700U.2-5Y	4CF-2837Y-00
5	RH Panel, White Box	1	73262w	LH700U.2-5W	4CF-2837W-00
5	RH Panel, Green Box	1	73262g	LH700U.2-5G	4CF-2837G-00
5	RH Panel, Camouflage Box	1	73262c	LH700U.2-5C	4CF-2837C-00
5	RH Panel, Red Box	1	73262r	LH700U.2-5R	4CF-2837R-00
5	RH Panel, Black Box	1	73262b	LH700U.2-5B	4CF-2837B-00
6	Rear Panel, Yellow Box	1	73263y	LH700U.2-6W	4CF-2838Y-00
6	Rear Panel, White Box	1	73263w	LH700U.2-6W	4CF-2838W-00
6	Rear Panel, Green Box	1	73263g	LH700U.2-6G	4CF-2838G-00
6	Rear Panel, Camouflage Box	1	73263c	LH700U.2-6C	4CF-2838C-00
6	Rear Panel, Red Box	1	73263r	LH700U.2-6R	4CF-2838R-00
6	Rear Panel, Black Box	1	73263b	LH700U.2-6B	4CF-2838B-00
6	Rear Panel, White Box	1	73408w	LH700U.2-6aW	4CF-2839W-00
6	Rear Panel, Green Box	1	73408g	LH700U.2-6aG	4CF-2839G-00
6	Rear Panel, Camouflage Box	1	73408c	LH700U.2-6aC	4CF-2839C-00
6	Rear Panel, Red Box	1	73408r	LH700U.2-6aR	4CF-2839R-00
6	Rear Panel, Black Box	1	73408b	LH700U.2-6aB	4CF-2839B-00
7	Cross Recessed Pan Head Tapping Screw ST4.8×16	32	10009	GB/T845	B21L34J160
8	LH Rear Mudguard	1	73264	LH700U.2-7	4CF-28357-00
9	RH Rear Mudguard	1	73265	LH700U.2-8	4CF-28358-00
10	LH Rear Facia	1	73266	LH700U.2-9	4CF-28359-00
11	RH Rear Facia	1	73267	LH700U.2-10	4CF-28360-00

PLATE



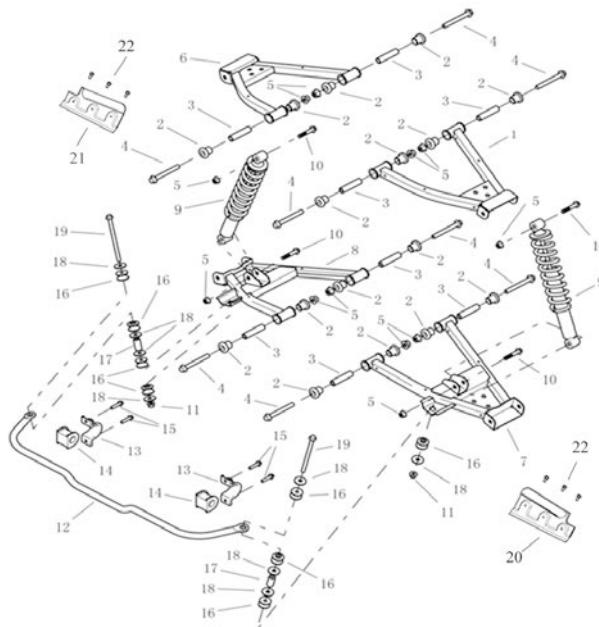
REF. No.	DESCRIPTION	QTY	PART NUMBER	SPEC 1	PLM SPEC 2
1	Plate, Front	1	73268	LH700U.2-19	4CF-28361-00
2	Hexagon Flange Bolt M6×12 8.8	21	10140	GB/T16674.1	B11L206120
3	Plate, Middle	1	84192	LH800U-2D.2-11	4CH-28318-00
4	Mounting Washer	8	20331	LH260ATV.2-27	4AL-21290-00
5	Plate, Rear	1	84193	LH800U-2D.2.1	4CH-28319-00
6	Plate, Fuel Tank	1	84194	LH800U-2D.2-130	4CH-28320-00
7	Screw M6×16	4	73054	LH800U-D.2-22B	4CA-24832-00
8	Insulating Panels 1	1	84195	LH800U-2D.2-104	4CH-28321-00
9	Plastic Screw	13	26760	LH300CUV.2.2	4CC-28421-00
10	Insulating Panels 2	1	84196	LH800U-2D.2-105	4CH-28322-00
11	Insulating Panels 3	1	84197	LH800U-2D.2-120	4CH-28323-00
12	Sound-absorbing sponge 1	1	84198	LH800U-2D.2-121	4CH-28324-00
13	Sound-absorbing sponge 2	1	84199	LH800U-2D.2-108	4CH-28325-00
14	Sound-absorbing sponge 3	1	84200	LH800U-2D.2-107	4CH-28326-00
15	Sound-absorbing sponge 5	1	84186	LH800U-2D.2-116	4CH-28306-00
16	Sound-absorbing sponge 6	1	84187	LH800U-2D.2-118	4CH-28307-00
17	Sound-absorbing sponge 7	2	84182	LH800U-2D.2-110	4CH-28302-00
18	Sound-absorbing sponge 8	1	84201	LH800U-2D.2-111	4CH-28331-00
19	Sound-absorbing sponge 9	2	84183	LH800U-2D.2-112	4CH-28303-00
20	Sound-absorbing sponge 10	2	84184	LH800U-2D.2-113	4CH-28304-00
21	Sound-absorbing sponge 11	1	84185	LH800U-2D.2-114	4CH-28305-00
22	Sound-absorbing sponge 12	1	84202	LH800U-2D.2-115	4CH-28335-00
23	Plate	1	84247	LH700U.2-107	4CF-28390-00
24	Screw M6×20	5	73056	LH800U-D.2-22C	4CA-24834-00
25	Prevailing Torque Type All-Metal Hexagon Nut M6	3	10793	GB/T6187.1	B51G20600R
26	Plate, Engine	1	84248		4CH-28401-00
27	Hexagon Flange Bolt M6×40	1	10177	GB/T16674.1	B11A30640R
28	Hexagon Flange Bolt M6×55	1	10918	GB/T16674.1	B11A30655R

FRONT SUSPENSION



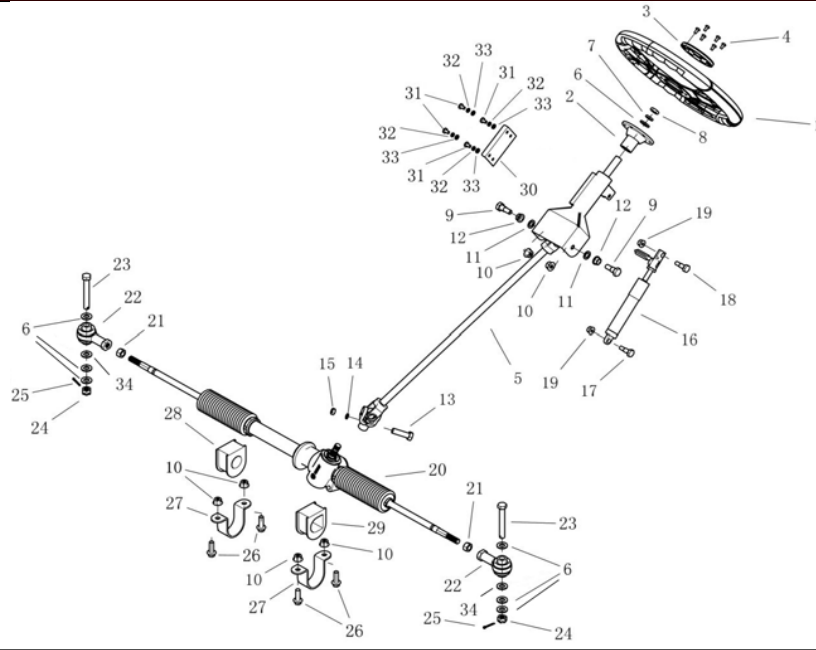
REF. No.	DESCRIPTION	QTY	PART NUMBER	SPEC 1	PLM SPEC 2
1	Front Shock Absorber Assy	2	73122		4CF-23350-00
2	Hexagon Flange Bolt M10×1.25×55 10.9	4	73332	90105-10011	90105-10011
3	Prevailing Torque Type All-metal Hexagon Nut Fine Pitch M10×1.25	4	10795	B52H31000A	B52H31000A
4	Arm Upper Frt Rh	1	73129	LH700U.3.4	4CF-23550-00
5	Shaft	4	27077	LH260ATV.1.8-1a	4AL-23527-00
6	Bushing Arm	8	73063		4CA-25317-00
7	Prevailing Torque Type All-metal Hexagon Nut Fine Pitch M12×1.25	4	10136	GB/T6187.2	B52F31200A
8	Arm Upper Frt Lh	1	73126	LH700U.3.3	4CF-23540-00
9	Circlip 34	4	70046		B753334020
10	Ball Joint	4	71403		4AA-23104-00
11	Slotted Castle Nut M12×1.25	4	70679		90171-12001
12	Cotter Pin 2.5×25	4	10792		B37723C220
13	Arm Lwr Frt Lh	1	73131	LH700U.3.1	4CF-2357A-00
14	Hexagon Flange Bolt M12×1.25×100 10.9	4	73333		90105-12012
15	Shaft Pivot 75mm	4	73133	LH700U.3-2	4CF-2359A-00
16	Prevailing Torque Type All-metal Hexagon Nut Fine Pitch M12×1.25	4	10796		B52H31200A
17	Arm Lwr Frt Rh	1	73132	LH700U.3.2	4CF-2358A-00
18	Bushing Arm . H	4	20518	LH260ATV.1.8.1	4AL-23526-00
19	Arm Upper Frt Rh Assy	1	84236		
20	Arm Lwr Frt Rh Assy	1	84237		
21	Arm Lwr Frt Lh Assy	1	84238		
22	Arm Upper Frt Lh Assy	1	84239		
23	Cover . Arm Lwr Frt Rh	1	84249	LH800U-D.3-1	4CA-23501-00
24	Cover . Arm Lwr Frt Lh	1	84250	LH800U-D.3-2	4CA-23502-00
25	Cross Recessed Pan Head Screw M5×12	4	10001	GB/T818	B23B20512R

REAR SUSPENSION



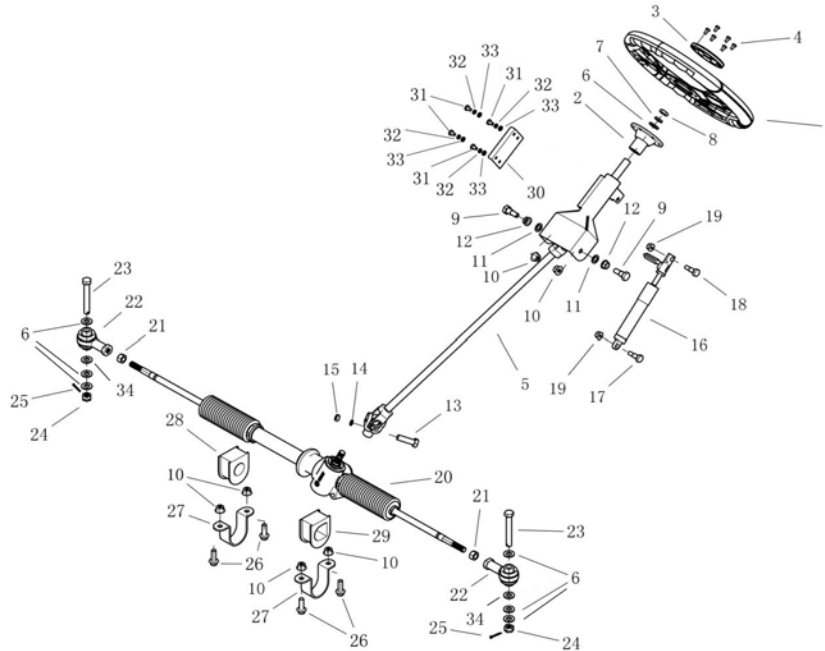
REF. No.	DESCRIPTION	QTY	PART NUMBER	SPEC 1	PLM SPEC 2
1	Arm Upper Rear Lh	1	73113	LH700U.4.1	4CF-22171-00
2	Bushing Arm	16	73063		4CA-25317-00
3	Shaft Pivot 75mm	8	73133	LH700U.3-2	4CF-2359A-00
4	Hexagon Flange Bolt M12×1.25×100 10.9	8	73333	90105-12012	90105-12012
5	Prevailing Torque Type All-metal Hexagon Nut Fine Pitch M12×1.25	12	10796	B52H31200A	B52H31200A
6	Arm Upper Rear Rh	1	73114	LH700U.4.2	4CF-22172-00
7	Arm Lwr Rear Lh	1	84158	LH800U-2D.4.3	4CH-2217M-00
8	Arm Lwr Rear Rh	1	84159	LH800U-2D.4.4	4CH-2217N-00
9	Rear Shock Absorber Assy	2	84160	LH800U-2D.4.5	4CH-22210-00
10		4	84088	LH800U-D.4.5-1	4CA-22211-00
11	Prevailing Torque Type All-metal Hexagon Nut Fine Pitch M10×1.25	2	10795	GB/T6187.2	B52G31000A
12	Stabilizer Bar	1	73297	LH700U.4.7-1	4CF-47491-00
13	Bracket Stabilizer	2	73093	LH400CUV-2.4.7-1	4CD-2386H-00
14	Bushing Stabilizer	2	73092	LH400CUV-2.4.7-2	4CD-2386G-00
15	Hexagon Flange Bolt M8×1.25×20 9.8	4	10783	GB/T16674.1	B11C30820R
16	Bush Collar Stabilizer	8	73061	LH800U-D.4.7-3	4CA-25313-00
17	Sleeve 35mm	2	73185	LH700U.4.7-4	4CF-25314-00
18	Washer 10 (11×34×3)	8	10864	GB/T5287	B6H8310030
19	Hexagon Flange Bolt M10×1.25×153 10.9	2	73186	LH700U.4.7-2	4CF-25315-00
20	Cover . Arm Lwr Frt Rh	1	84251	LH800U-D.2.46	4CA-22101-00
21	Cover . Arm Lwr Frt Lh	1	84252	LH800U-D.2.47	4CA-22102-00
22	Cross Recessed Pan Head Screw M5×16	6	10201	GB/T818	B23B20516R

STEERING



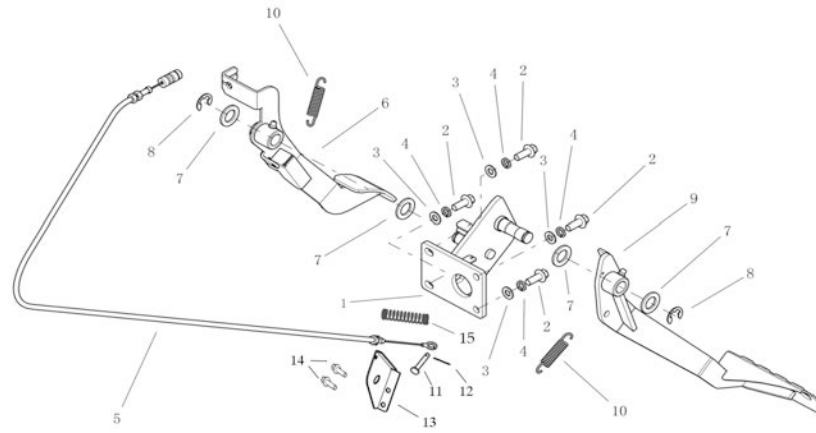
REF. No.	DESCRIPTION	QTY	PART NUMBER	SPEC 1	PLM SPEC 2
1	Steering Wheel	1	73084		4CC-23838-00
2	Steering Wheel Holder	1	73082		4CC-23814-00
3	Steering Cover	1	73083		4CC-23818-00
4	Cross Recessed Pan Head Screw m5×10	6	73072	LH800U-D.5-6	4CA-26111-00
5	Steering Column	1	73142	LH700U.5.2	4CF-23840-00
6	Washer 12	7	10032	GB/T97.1	B63A312030
7	Spring Lock Washer 12	1	10054	GB/T93	B653312000
8	Hexagon Thin Nut M12×1.25	1	26257	GB/T6173	B5AF31200A
9	Shoulder Bolt M10×1.25×30	2	73143	LH700U.5-21	4CF-23881-00
10	Prevailing Torque Type All-metal Hexagon Nut Fine Pitch M10×1.25	6	10795	GB/T6187.2	B52G31000A
11	Washer 12	2	10803	GB/T848	B671212000
12	Bushing For Adjustable Steering Wheel	2	73125	LH700U.5-24	4CF-23511-00
13	Hexagon Head Bolt M8×1.25×40	1	26255	GB/T5783	B14A30840R
14	Spring Lock Washer 8	1	10106	GB/T93	B653108000
15	Hexagon Nut M8×1.25	1	10099	GB/T6170	B55F20800R
16	Adjustment Cylinder	1	73118	LH700U.5.12	4CF-23330-00
17	Shoulder Bolt M8×1.25×26	1	73120	LH700U.5-23	4CF-23333-00
18	Shoulder Bolt M8×1.25×30	1	73119	LH700U.5-22	4CF-23332-00
19	Prevailing Torque Type All-Metal Hexagon Nut M8×1.25	2	10776	GB/T6187.1	B53A20800R
20	Steering Assy	1	73123	LH700U.5.3	4CF-23400-00
21	Hexagon Nut Fine Pitch M12×1.25	2	10594	GB/T6171	B5EF31200A
22	Tie Rod End	2	73050	LH800U-D.5.7a	4CA-23842-00
23	Hex Bolts With Split Pin Hole M12×1.25×87	2	73124	LH700U.5-27	4CF-23401-00
24	Slotted Castle Nut M12×1.25	2	70679	LH520ATV.3.6-4	4AB-23432-00
25	Cotter Pin 3.2×22	2	10772	GB/T91	B377203220
26	Hexagon Flange Bolt M10×1.25×30 8.8	4	10282A	GB/T16674.2	B12A31030A

STEERING



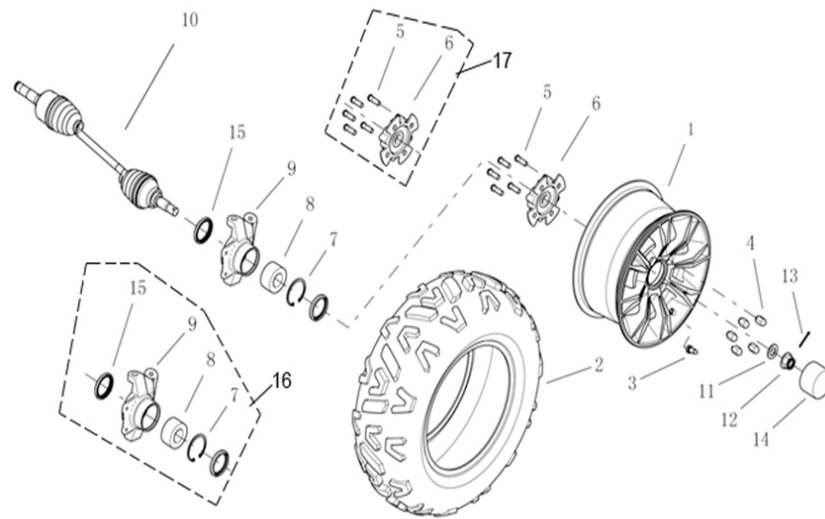
REF. No.	DESCRIPTION	QTY	PART NUMBER	SPEC 1	PLM SPEC 2
27	Bracket For Steering Gear	2	26935	LH300CUV.5-3	4CC-2386J-00
28	Rubber Bush A For Steering Gear	1	26936	LH300CUV.5-4	4CC-2386K-00
29	Rubber Bush B For Steering Gear	1	26937	LH300CUV.5-5	4CC-2386L-00
30	Bracket For Steering Lock	1	84120		4CF-26211-00
31	Cross Recessed Pan Head Screw M6×10	4	25013	GB/T818	B23B20610R
32	Spring Lock Washer 6	4	10308	GB/T93	B653006000
33	Washer 6.4×11×1.6	4	10804	GB/T848	B678206000
34	Bushing	2	73121	LH700U.5-26	4CF-23341-00

PEDAL WIRE



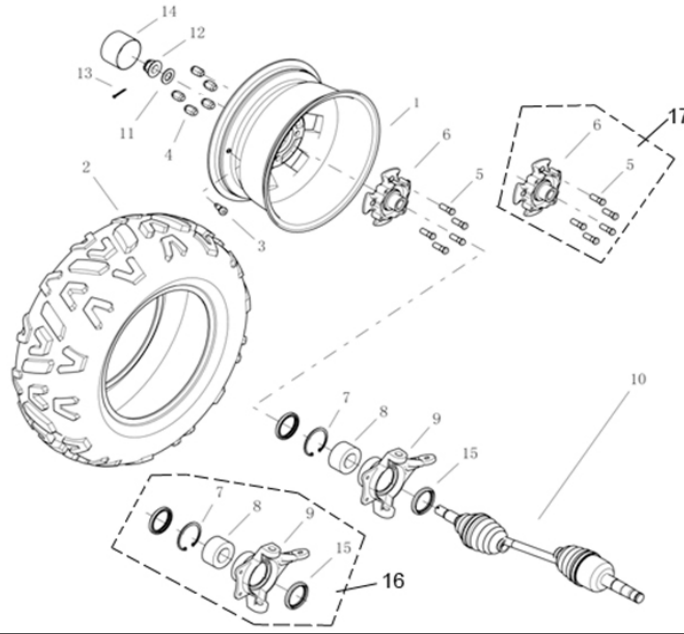
REF. No.	DESCRIPTION	QTY	PART NUMBER	SPEC 1	PLM SPEC 2
1	Pedal Mount Bracket	1	73207	LH700U.5.11	4CF-27823-00
2	Hexagon Flange Bolt M8×1.25×20 9.8	4	10783	GB/T16674.1	B11C30820R
3	Washer 8.4×16×1.6	4	10068	GB/T97.1	B631308000
4	Spring lock washer 8	4	10106	GB/T93	B653108000
5	Throttle Cable	1	84180	LH800U-2D.5.6	4CH-26311-00
6	Accelerate Pedal Assy	1	73206	LH700U.5.4	4CF-27801-00
7	Washer 16	4	10037	GB/T97.1	B637216000
8	Lock Washer 12 For Shafts	2	10889	DIN6799	DIN6799
9	Brake Pedal Assy	1	73203	LH700U.5.5	4CF-27200-00
9	Brake Pedal Assy	1	73418	LH700U.5.5a	4CF-27201-00
10	Pedal Spring	2	73204	LH700U.5-25	4CF-27210-00
11	Pin	1	84230	LH800U-2D(R).5-13	4CJ-26312-00
12	Cotter Pin 2×20	1	10790	GB/T91	B377202220
13	Bracket, Throttle Cable	1	84181	LH800U-2D.5-12	4CH-27801-00
14	Bolt M10X1.5X20	2	10873	GB/T5789	B13C31020A
15	Spring, Throttle Cable	1	84253		4CH-27802-00

FRONT WHEEL LH SIDE



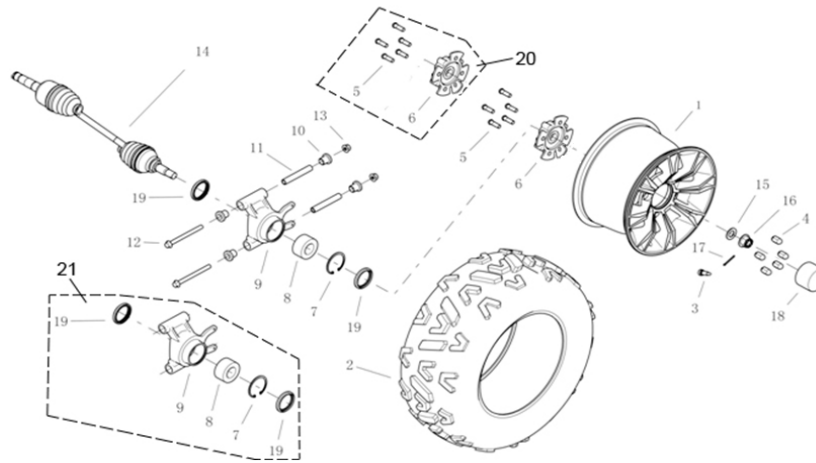
REF. No.	DESCRIPTION	QTY	PART NUMBER	SPEC 1	PLM SPEC 2
1	Rim Front 14×7.5 Steel, Silvery	1	84176	LH800U-2D.6.1	4CH-25117-00
	Rim Front 14×7.5 Steel, Black		84176A	LH800U-2D.6.1a	4CH-25116-00
2	Tire Front 26×9-14	1	73178		4CF-25113-00
3	Valve Rim	1	20807a	B972000001	B972000001
4	Nut M12×1.25 For Rim	5	73337	90179-12003	90179-12003
5	Stud M12×1.25×25	5	73335	90114-12001	90114-12001
6	Hub For Steel Wheel	1	84095	LH800U-D.7-2	4CA-25311-00
7	Ring Retainer 72	1	10807	B7231722F0	B7231722F0
8	Bearing 39×72×37	1	73339	93350-03702	93350-03702
9	Carrier Bearing Wheel Lh	1	73127		4CF-23545-00
10	Shaft Half A (One Splien)	1	73179	LH700U.20.1	4CF-25110-00
11	Washer 23×40×3	1	73060		4CA-25312-00
12	Nut M22×1.5	1	73336	90171-22002	90171-22002
13	Cotter Pin 4×35	1	10791	B377204350	B377204350
14	Cap For Steel Wheel	1	84060		4AB-2512A-00
15	Oil Seal 54×72×6.5_10	2	73182	LH700U.3.11	4CF-25118-00
16	Carrier Bearing Wheel Lh ASSY.	1	84240		
17	Hub For Steel Wheel ASSY.	1	84241		

FRONT WHEEL RH SIDE



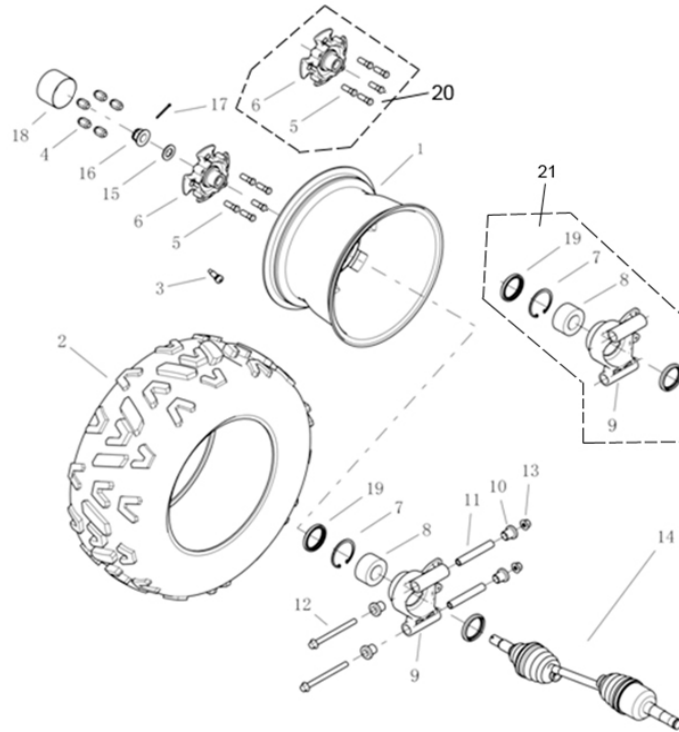
REF. No.	DESCRIPTION	QTY	PART NUMBER	SPEC 1	PLM SPEC 2
1	Rim Front 14x7.5 Steel . Silvery	1	84176	LH800U-2D.6.1	4CH-25117-00
	Rim Front 14x7.5 Steel ,Black		84176A	LH800U-2D.6.1a	4CH-25116-00
2	Tire Front 26x9-14	1	73178		4CF-25113-00
3	Valve Rim	1	20807a	B972000001	B972000001
4	Nut M12x1.25 For Rim	5	73337	90179-12003	90179-12003
5	Stud M12x1.25x25	5	73335	90114-12001	90114-12001
6	Hub For Steel Wheel	1	84095	LH800U-D.7-2	4CA-25311-00
7	Ring Retainer 72	1	10807	B7231722F0	B7231722F0
8	Bearing 39x72x37	1	73339	93350-03702	93350-03702
9	Carrier Bearing Wheel Rh	1	73128		4CF-23546-00
10	Shaft Half B (Two Splien)	1	73184	LH700U.20.2	4CF-25312-00
11	Washer 23x40x3	1	73060		4CA-25312-00
12	Nut M22x1.5	1	73336	90171-22002	90171-22002
13	Cotter Pin 4x35	1	10791	GB/T91	B377204350
14	Cap For Steel Wheel	1	84060		4AB-2512A-00
15	Oil Seal 54x72x6.5_10	2	73182	LH700U.3.11	4CF-25118-00
16	Carrier Bearing Wheel Rh ASSY.	1	84242		
17	Hub For Steel Wheel ASSY.	1	84241		

REAR WHEEL LH SIDE



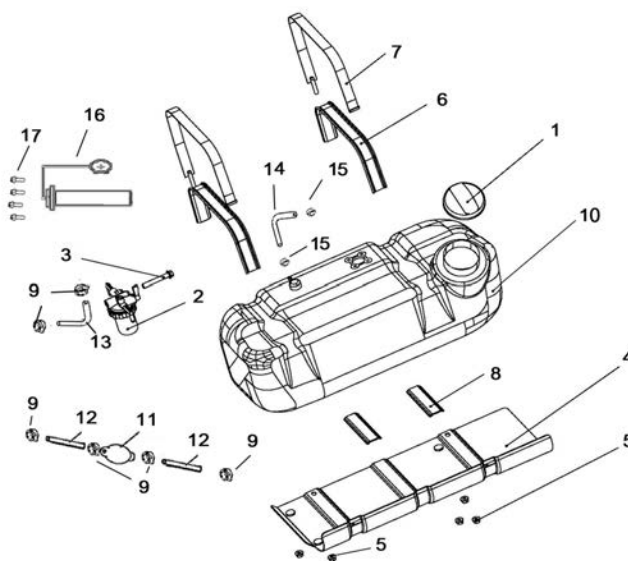
REF. No.	DESCRIPTION	QTY	PART NUMBER	SPEC 1	PLM SPEC 2
1	Rim Rear 14x8 Steel . Silvery	1(1)	84177	LH800U-2D.7.1	4CH-25331-00
	Rim Rear 14x8 Steel ,Black		84177A	LH800U-2D.7.1a	4CH-25332-00
2	Tire Rear 26x11-14	1	73183		4CF-25310-00
3	Valve Rim	1	20807a	B972000001	B972000001
4	Nut M12x1.25 For Rim	5	73337	90179-12003	90179-12003
5	Stud M12x1.25x25	5	73335	90114-12001	90114-12001
6	Hub For Steel Wheel	1	84095	LH800U-D.7-2	4CA-25311-00
7	Ring Retainer 72	1	10807	B7231722F0	B7231722F0
8	Bearing 39x72x37	1	73339	93350-03702	93350-03702
9	Carrier Bearing Wheel Rear Lh	1	73423	LH700U.4.6-1	4CF-25313-00
10	Bushing Arm	4	73063		4CA-25317-00
11	Shaft Pivot 114.5mm	2	73049		4CA-23448-00
12	Hexagon Flange Bolt M12x1.25x140 10.9	2	73334	90105-12013	90105-12013
13	Prevailing Torque Type All-metal Hexagon Nut Fine Pitch M12x1.25	2	10136	GB/T6187.2	B52F31200A
14	Shaft Half B (Two Spline)	1	73184	LH700U.20.2	4CF-25312-00
15	Washer 23x40x3	1	73060		4CA-25312-00
16	Nut M22x1.5	1	73336	90171-22002	90171-22002
17	Cotter Pin 4x35	1	10791	GB/T91	B377204350
18	Cap For Steel Wheel (Cap For Cast Wheel)	1(1)	84060		4AB-2512A-00
19	Oil Seal 54x72x6.5_10	2	73182	LH700U.3.11	4CF-25118-00
20	Hub For Steel Wheel ASSY.	1	84241		
21	Carrier Bearing Wheel Rear Lh ASSY.	1	84243		

REAR WHEEL RH SIDE



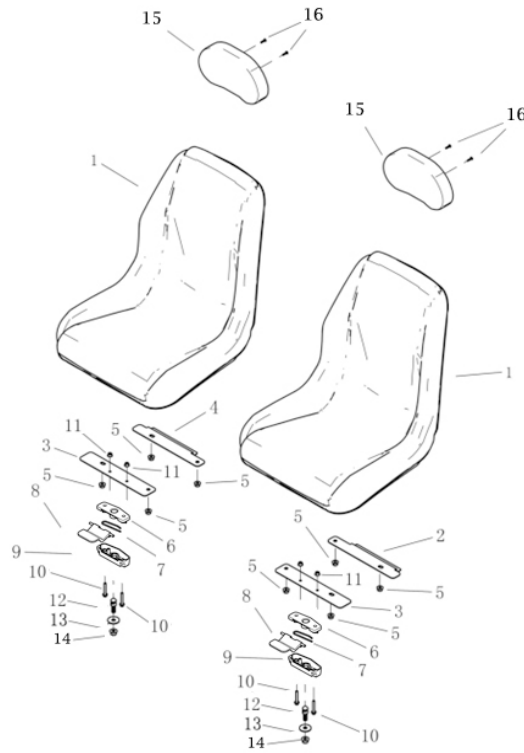
REF. No.	DESCRIPTION	QTY	PART NUMBER	SPEC 1	PLM SPEC 2
1	Rim Rear 14×8 Steel . Silvery	1(1)	84177	LH800U-2D.7.1	4CH-25331-00
	Rim Rear 14×8 Steel ,Black		84177A	LH800U-2D.7.1a	4CH-25332-00
2	Tire Rear 26×11-14	1	73183		4CF-25310-00
3	Valve Rim	1	20807a	B972000001	B972000001
4	Nut M12×1.25 For Rim	5	73337	90179-12003	90179-12003
5	Stud M12×1.25×25	5	73335	90114-12001	90114-12001
6	Hub For Steel Wheel	1	84095	LH800U-D.7-2	4CA-25311-00
7	Ring Retainer 72	1	10807	B7231722F0	B7231722F0
8	Bearing 39×72×37	1	73339	93350-03702	93350-03702
9	Carrier Bearing Wheel Rear Rh	1	73425	LH700U.4.6-2	CF-25316-00
10	Bushing Arm	4	73063		4CA-25317-00
11	Shaft Pivot 114.5mm	2	73049		4CA-23448-00
12	Hexagon Flange Bolt M12×1.25×140 10.9	2	73334	90105-12013	90105-12013
13	Prevailing Torque Type All-metal Hexagon Nut Fine Pitch M12×1.25	2	10136	GB/T6187.2	B52F31200A
14	Shaft Half A (One Splien)	1	73179	LH700U.20.1	4CF-25110-00
15	Washer 23×40×3	1	73060		4CA-25312-00
16	Nut M22×1.5	1	73336	90171-22002	90171-22002
17	Cotter Pin 4×35	1	10791	GB/T91	B377204350
18	Cap For Steel Wheel (Cap For Cast Wheel)	1(1)	84060		4AB-2512A-00
19	Oil Seal 54×72×6.5_10	2	73182	LH700U.3.11	4CF-25118-00
20	Hub For Steel Wheel ASSY.	1	84241		
21	Carrier Bearing Wheel Rear Rh ASSY.	1	84244		

FUEL TANK



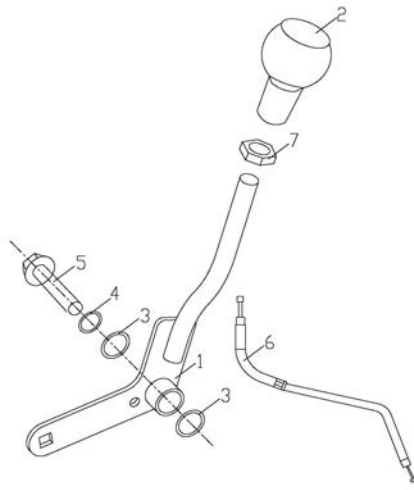
REF. No.	DESCRIPTION	QTY	PART NUMBER	SPEC 1	PLM SPEC 2
1	Fuel Cap	1	84092	LH800U-D.8.2	4CA-24610-00
2	Oil Water Separator	1	84165	LH800U-D.8.3	4CH-24101-00
3	Bolt M10X65	1	10872	GB/T5783	B14L30865R
4	Bracket, Fuel Tank	1	84169		4CH-24110-00
5	Nut M8	6	10776	GB/T6187.1	B53A20800R
6	Damper,Plate	2	73052	LH800U-D.8-3	4CA-2414H-00
7	Stay,Fuel Tank	2	84090	LH800U-D.8.7	4CA-24157-00
8	Cushion,Fuel Tank Bracket	2	73051	LH800U-D.8-4	4CA-24112-00
9	Clamp	6	70851	LH520ATV.8E-8	LH520ATV.8E-8
10	Fuel Tank	1	84089	LH800U-D.8.1	4CA-24111-00
11	Pumping Device	1	84166		4CH-24102-00
12	Pipe 1	2	84167		4CH-24103-00
13	Pipe 2	1	84091		4CA-24170-00
14	Return Tube	1	84168		4CH-24104-00
15	Clamp	2	43522		1BB-14886-00
16	Fuel Sensor	1	84115	LH800U-D.23.17	4CA-85752-00
17	Bolt M5X12	4	10108	GB/T16674.1	B11B20512R

SEAT



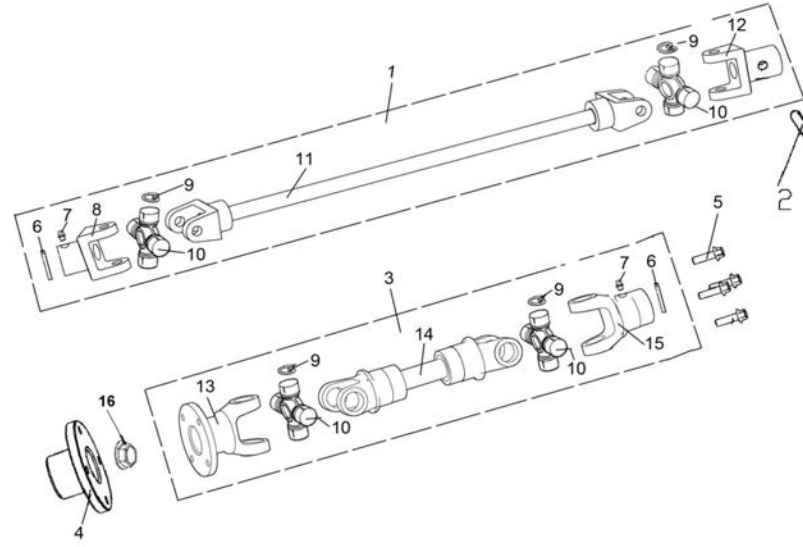
REF. No.	DESCRIPTION	QTY	PART NUMBER	SPEC 1	PLM SPEC 2
1	Single Seat Assy	2	73156	LH700U.9.1	4CF-24720-00
1	Single Seat Assy (800U-D)	2	84170		4CH-2471A-00
2	Seat Mounting Bracket Rear Left	1	73158	LH700U.9.1-1	4CF-24750-00
3	Seat Mounting Bracket Front	2	73159	LH700U.9.1-2	4CF-24760-00
4	Seat Mounting Bracket Rear Right	1	73160	LH700U.9.1-3	4CF-24770-00
5	Prevailing Torque Type All-metal Hexagon Nut Fine Pitch M8×1.25	8	10794	GB/T6187.1	B51G20800R
6	Upper Shell,Seat Lock	2	73426	LH700U.9.2-1	4CF-24781-00
7	Spring,Seat Lock	2	73427	LH700U.9.2-4	4CF-24784-00
8	Lever,Seat Lock	2	73428	LH700U.9.2-3	4CF-24783-00
9	Lwr Shell,Seat Lock	2	73429	LH700U.9.2-2	4CF-24782-00
10	Hexagon Flange Bolt M6×40 8.8	4	10177B	GB/T16674.1	B11A30640R
11	Prevailing Torque Type All-Metal Hexagon Nut M6	4	10793	GB/T6187.1	B51G20600R
12	Seat Lock Pin	2	73157	LH700U.9.4	4CF-24740-00
13	Washer 10 (11×34×3)	2	10864	GB/T5287	B6H8310030
14	Prevailing Torque Type All-metal Hexagon Nut Fine Pitch M10×1.25	2	10795	GB/T6187.2	B52H31010A
15	Head Rest	2	26966	LH300CUV.9.4	4CC-24731-00
16	Screw M6×16	4	73054	LH800U-D.2-22B	4CA-24832-00

GEAR SELECTOR



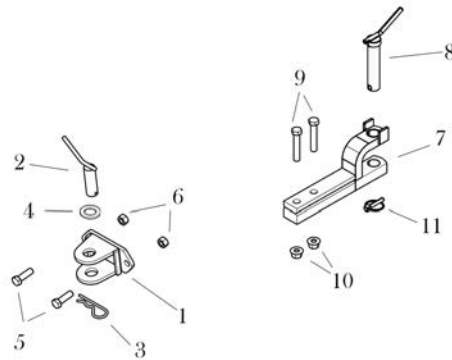
REF. No.	DESCRIPTION	QTY	PART NUMBER	SPEC 1	PLM SPEC 2
1	Shifter Lever Assy	1	84148	LH800U-2D.11.1	4CH-18301-00
2	Knob	1	84080	LH800U-D.11-1	4CA-18301-00
3	Washer	2	84081	LH800U-D.11-2	4CA-18302-00
4	Washer 6 (6.6X22X2)	1	10863	GB/T5287	B6H8306030
5	Bolt M6X10	1	10716W	GB/T16674.1	B11A20610R
6	Cable,Shifter	1	84149	LH800U-2D.11.2	4CH-18302-00
7	Nut M12	1	10876	GB/T6170	B55L01200R
8	Nut M8	1	10067	GB/T6184	B57A30800R
9	Prevailing Torque Type All-metal Hexagon Nut M8	1	10882	GB/T6187.1	B51F20800R

PROPSHAFT



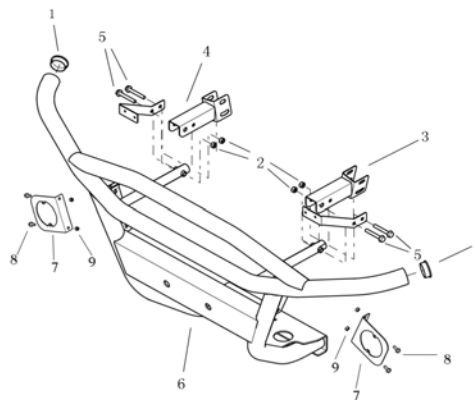
REF. No.	DESCRIPTION	QTY	PART NUMBER	SPEC 1	PLM SPEC 2
1	Front Prop Shaft	1	84213	LH800U-2D.13.2	4CH-46110-00
2	Pin 8	1	20716	LH260ATV.13-1	4AL-4615A-00
3	Rear Prop Shaft	1	84109	LH800U-D.13a.1	4CA-46106-00
4	Spline Coupling	1	84111	LH800U-D.13-1	4CA-46131-00
5	Bolt	1	84112	LH800U-D.13-2	4CA-46130-00
6	Seal	4	10861	GB/T3452.1	B920303001
7	Grease Fitting M6	1	10888	JB/T7940.1	B9A0106001
8	Sliding Fork 1	1	84104	LH800U-D.13.2a-4	4CA-46101-00
9	Circlip $\phi 24$	4	10884	GB/T893.1	B723324000
10	Spider Kits(Include Spider Body,Spider Bearing,Grease Nipple)	4	84110		4CA-46108-00
11	Front Fork Weldments	4	84212	LH800U-2D.13.2a.1	4CH-46104-00
12	Spline Connection Fork	1	84105	LH800U-D.13.2a-1	4CA-46102-00
13	Flange Fork	1	84106	LH800U-D.13.1a-4	4CA-46103-00
14	Rear Fork Weldments	1	84107	LH800U-D.13.1a.1	4CA-46104-00
15	Sliding Fork2	1	84108	LH800U-D.13.1a-1	4CA-46105-00
16	Nut M16X1.5	1	70296	LH520ATV.12-6	4AB-23804-00

HOOK



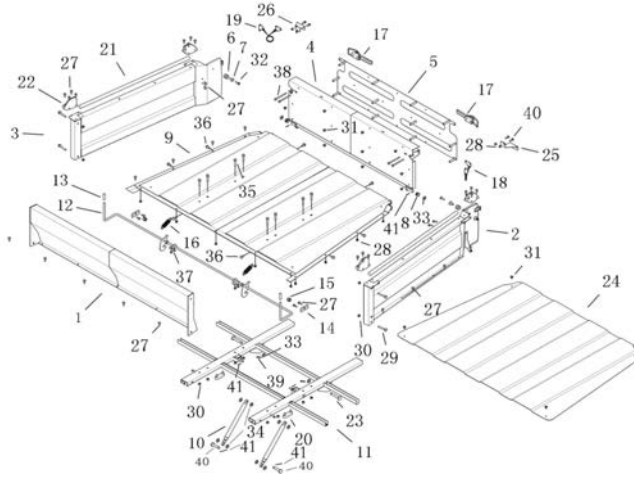
REF. No.	DESCRIPTION	QTY	PART NUMBER	SPEC 1	PLM SPEC 2
1	Front Hook	1	84234		4TB-28521-00
2	Pin Front Hook	1	84235		4TB-28522-00
3	"R" Pin 6X115	1	10862	GB/T4329	B9B2061150
4	Rubber Damper	1	84231		4TA-21973-00
5	Hexagon Head Bolt M16x50	2	10868	GB/T5783	B14A31650R
6	Hex Nut M16	2	10874	GB/T6170	B55F31600R
7	Rear Hook	1	84101		4CA-28512-00
8	Pin Rear Hook	1	84102		4CA-28513-00
9	Hexagon Flange Bolt M16x85	2	10865	GB/T5782	B15L31685R
10	Prevailing Torque Type All-metal Hexagon Nut M16	2	10518	GB/T6187	B52F21600F
11	Pin Lock	1	84103		4CA-28531-00

BUMPER



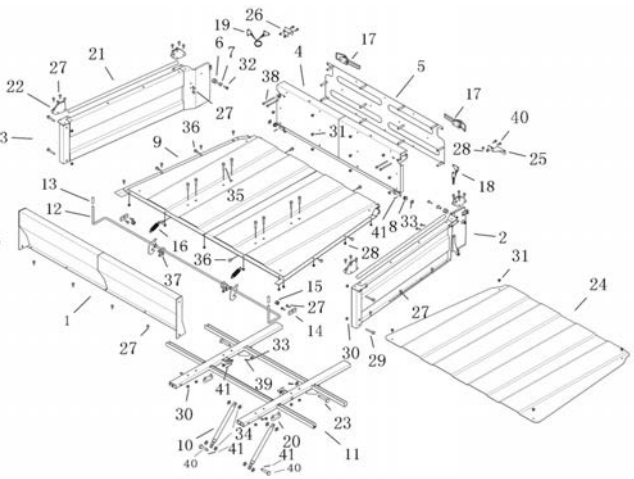
REF. No.	DESCRIPTION	QTY	PART NUMBER	SPEC 1	PLM SPEC 2
1	Plug	2	26763	LH300CUV.21-1	4CC-28412-00
2	Prevailing Torque Type All-metal Hexagon Nut M8	4	10794	GB/T6187.1	B51A20800R
3	Bracket. L	1	73283	LH700U.21.2	4CF-28410-00
4	Bracket. R	1	73285	LH700U.21.3	4CF-28420-00
5	Hexagon Flange Bolt M8x55	4	10811	GB/T16674.1	B11C30855R
6	Front Bumper	1	73286	LH700U.21.1a	4CF-28433-00
7	Bracket,Turn Indicate Light	2	84208		4CH-28411-00
8	Hexagon Flange Bolt M6x16	4	10183	GB/T16674.1	B11L206160
9	Prevailing Torque Type All-Metal Hexagon Nut M6	4	10793	GB/T6187.1	B51H60600R

BOX ASSY



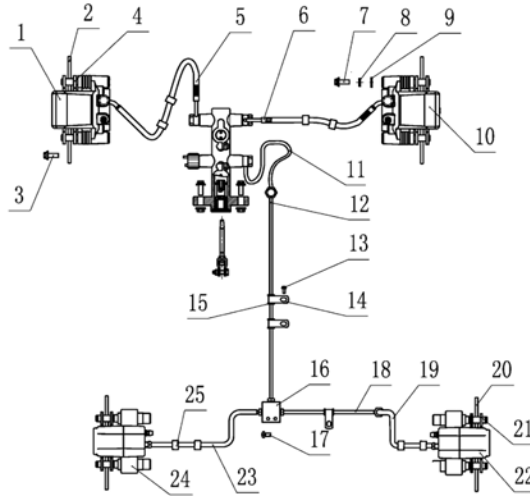
REF. No.	DESCRIPTION	QTY	PART NUMBER	SPEC 1	PLM SPEC 2
1	Box Cover,FR	1	73171	LH700U.22.1.1	4CF-24849-00
1	Box Cover,FR Stainless Steel	1	84172		4CH-24849-00
2	Box Cover,L	1	73172	LH700U.22.1.2	4CF-24852-00
2	Box Cover,L Stainless Steel	1	84173		4CH-24852-00
3	Box Cover,R	1	73162	LH700U.22.1.3	4CF-24815-00
3	Box Cover,R Stainless Steel	1	84171		4CH-24815-00
4	Rear Cargos	1	73173	LH700U.22.1.4	4CF-24854-00
4	Rear Cargos . Stainless Steel	1	84174		4CH-24854-00
5	Stronger, Box Door	1	73166	LH700U.22.1.4-8	4CF-24833-00
6	Rubber Sheath	2	73087	LH300CUV-B.22.1-3	4CC-24853-00
7	Interlock Sheath	2	73088	LH300CUV-B.22.1-4	4CC-24854-00
8	Nylon Sheath	2	73058	LH800U-D.22-1	4CA-24891-00
9	Box Floor Cover	1	73163	LH700U.22.1.5	4CF-24826-00
9	Box Floor Cover . Stainless Steel	1	84175		4CH-24855-00
10	Damper	2	26784	LH300CUV.22.2	4CC-24811-00
11	Welded Box Support	1	73165	LH700U.22.1.6	4CF-24832-00
12	Cargo Handle Ass'y	1	73175	LH700U.22.1.7	4CF-24860-00
13	Cap,Protector End	2	26786	LH300CUV.22-2	4CC-24837-00
14	Holder,Latch	2	26782	LH300CUV.22.1-5	4CC-24861-00
15	Rubber Sheath	2	26783	LH300CUV.22.1-6	4CC-24862-00
16	Pedal Spring	2	26778	LH300CUV.22.1-1	4CC-24734-00
17	Latch	2	73432	LH700U.22.1.10	4CF-24864-00
18	Upper Retainer Cable . L	1	26768	LH300CUV.22.1.11	4CC-24864-00
19	Upper Retainer Cable . R	1	26769	LH300CUV.22.1.12	4CC-24865-00
20	Rubber Stopper	2	73059	LH800U-D.22-4	4CA-24893-00
21	Welded Rail	2	73176	LH700U.22-10	4CF-24866-00
22	Holder,Welded Rail	4	73177	LH700U.22.1.3-7	4CF-24867-00
23	Pin	2	26785	LH300CUV.22-1	4CC-24852-00
24	Mat	1	73167	LH700U.22.10	4CF-24836-00
24	Mat 2	1	73167A		4CH-77529-00
25	Reflector Bracket,L	1	73168	LH700U.22.1.5-22	4CF-24837-00
26	Reflector Bracket,R	1	73169	LH700U.22.1.5-23	4CF-24838-00

BOX ASSY



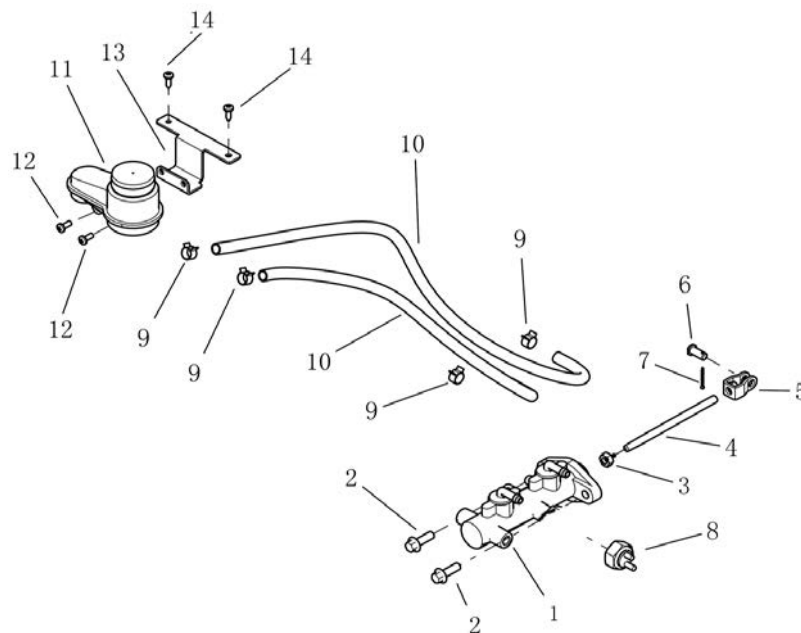
REF. No.	DESCRIPTION	QTY	PART NUMBER	SPEC 1	PLM SPEC 2
27	Hexagon Flange Bolt M6×20	37	10110	GB/T16674.1	B11A30620R
27	Hexagon Flange Bolt M6×20 . Stainless Steel	17	10110	GB/T16674.1	B11A30620R
28	Prevailing Torque Type All-metal Hexagon Nut M6	17	10004	GB/T6187	B51A20600R
28	Prevailing Torque Type All-metal Hexagon Nut M6 . Stainless Steel	13	10004	GB/T6187	B51A20600R
29	Hexagon Flange Bolt M8X1.25X55	4	10811	GB/T16674.1	B11C30855R
29	Hexagon Flange Bolt M8X1.25X55 . Stainless Steel	4	10811	GB/T16674.1	B11C30855R
30	Prevailing Torque Type All-metal Hexagon Nut M8	12	10079	GB/T6187	B51L00800R
30	Prevailing Torque Type All-metal Hexagon Nut M8 . Stainless Steel	4	10079	GB/T6187	B51L00800R
31	Screw M6×16	16	73054	LH800U-D.2-22B	4CA-24832-00
31	Screw M6×16 . Stainless Steel	12	73054	LH800U-D.2-22B	4CA-24832-00
32	Screw M6X30	2	73055	LH800U-D.2-22F	4CA-24833-00
32	Screw M6X30 . Stainless Steel	2	73055		4CA-24833-00
33	Plain washers 12	4	10032	GB/T97.1	B632312000
33	Plain washers 10	8	10019	GB/T97.1	B631210000
35	Hexagon Flange Bolt M8X1.25X40	8	10218	GB/T16674.1	B11L30840R
36	Hexagon Flange Bolt M8X1.25X16	8	10168	GB/T16674.1	B11B30816R
37	Hexagon Flange Bolt M6×12	4	10140W	GB/T16674.1	B11A20612R
38	Hexagon Flange Bolt M6X90	4	10782	GB/T16674.1	B11B30690R
38	Hexagon Flange Bolt M6X90 . Stainless Steel	4	10782		B11B30690R
39	Cotter Pin 4X30	2	26266	GB/T91	B371204300
40	Pin	2	73161	LH700U.22-11	4CF-24811-00
41	Cotter Pin 2.5X20	6	10021	GB/T91	B377203200

BRAKE SYSTEM



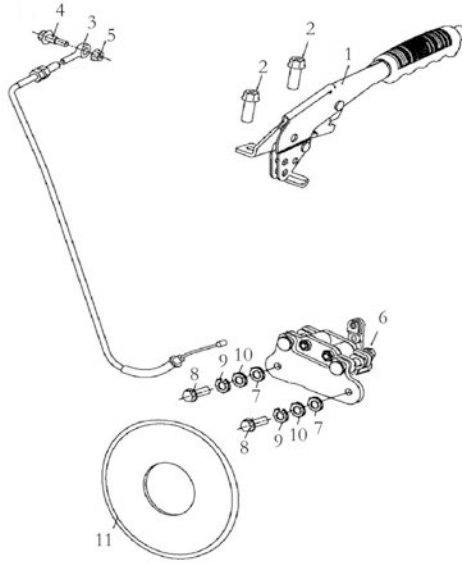
REF. No.	DESCRIPTION	QTY	PART NUMBER	SPEC 1	PLM SPEC 2
1	Front Brake Caliper, LH	1	26822	LH300CUV.24.1	4CC-2580T-00
2	Front Disk	2	84097	LH800U-D.24-1b	4CA-25803-00
3	Hexagon Flange Bolt M8×1.25×20 8.8	16	27212	GB/T5782	B15A30820R
4	Front Brake Pad	4	26823	LH300CUV.24.1.1	4CC-25811-00
5	Front Brake Line, LH	1	73190	LH700U.24.1	4CF-25813-00
6	Front Brake Line, RH	1	73191	LH700U.24.3	4CF-25814-00
7	Hexagon Bolt M8×1.25×25 10.9	4	10890	GB/T5782	B15A30825R
8	Spring Lock Washer 8	4	10106	GB/T93	B65A208000
9	Washer 8.4×16×1.6	4	10068	GB/T97.1	B63L008000
10	Front Brake Caliper, RH	1	26858	LH300CUV.24.5	4CC-2580U-00
11	Master Cylinder Line 1, Rear	1	73192	LH700U.24.5	4CF-25815-00
12	Master Cylinder Line 2, Rear	1	84179	LH800U-2D.24.6	4CH-25816-00
13	Hexagon Flange Bolt M6×16 8.8	5	10183	GB/T16674.1	B11L206160
14	Clamp, Mounting Brake Line	5	21811	LH260ATV.5.1.1	4AL-25834-00
15	Rubber Tube, Mounting Brake Line	5	32105	LH260ATV.5.1a-2	4AL-25836-00
16	Fitting, Tee	1	70546	LH520ATV.24-2	4AB-25839-00
17	Cross Recessed Pan Head Screw M5×35	2	10427	GB/T818	B23B30535R
18	Rear Brake Line 1, RH	1	73195	LH700U.24.8	4CF-25819-00
19	Rear Brake Line 2, RH	1	73194	LH700U.24.7	4CF-25817-00
20	Rear Disc	2	84098	LH800U-D.24-2b	4CA-25804-00
21	Rear Brake Pad	4	26864	LH300CUV.24.9.2	4CC-25860-00
22	Rear Brake Caliper, RH	1	73066	LH800U-D.24.7	4CA-2580W-00
23	Rear Brake Line, LH	1	73196	LH700U.24.9	4CF-25821-00
24	Rear Brake Caliper, LH	1	73065	LH800U-D.24.6	4CA-2580V-00
25	Clip, Mounting Brake Line	6	71977	LH800U-D.24-4	4CA-23190-00

BRAKE, MASTER CYLINDER MOUNTING



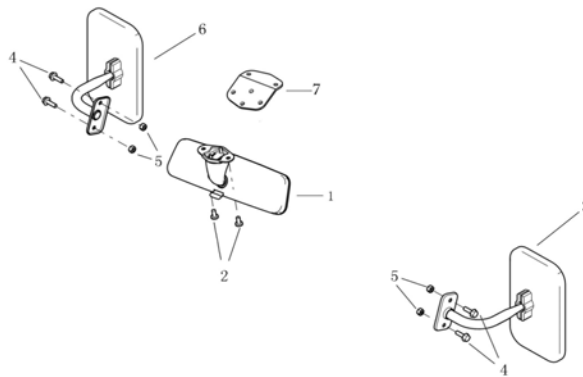
REF. No.	DESCRIPTION	QTY	PART NUMBER	SPEC 1	PLM SPEC 2
1	Master Cylinder	1	73197	LH700U.24.2	4CF-25823-00
2	Hexagon Flange Bolt M8×1.25×25 8.8	2	10059	GB/T16674.1	B11C30825R
3	Hex Nut M8×1.25	1	10875	GB/T6170	B55L00800R
4	Push Rod	1	73205	LH700U.24.3-1	4CF-27240-00
5	Clevis	1	73090	LH300CUV.24.6-2	4CC-25824-00
6	Clevis Pin	1	73091	LH300CUV.24.6-3	4CC-25825-00
7	Cotter Pin 2×20	1	10094	GB/T91	B377202200
8	Sensor, Brake	1	73068	LH800U-D.24.11.2	4CA-25826-00
9	Clamp, Line	4	73069	LH800U-D.24.11-8	4CA-25827-00
10	Line, Reservoir	1	73070	LH800U-D.24.11-9	4CA-25828-00
11	Brake Reservoir	1	73071	LH800U-D.24.11.1	4CA-25829-00
12	Cross Recessed Pan Head Screw M5×12	2	10001	GB/T818	B23A20512R
13	Bracket, Reservoir	1	73189	LH700U.24-11	4CF-25811-00
14	Cross Recessed Pan Head Tapping Screw ST4.8×16	2	10009	GB/T845	B21B34J16R

PARK BRAKE ASM.



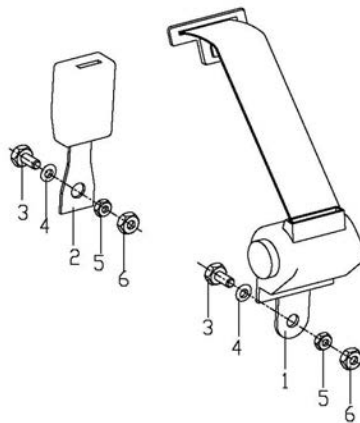
REF. No.	DESCRIPTION	QTY	PART NUMBER	SPEC 1	PLM SPEC 2
1	Park Brake Lever	1	84119	LH700U.26.1	4CF-25790-00
2	Hexagon Flange Bolt M8×1.25X20 8.8	2	10081	GB/T16674.1	B11A30825R
3	Park Brake Cable	1	73202	LH700U.26.2	4CF-26341-00
4	Shoulder Bolt For Park Brake Cable	1	73073	LH800U-D.26-2	4CA-26320-00
5	Prevailing Torque Type All-Metal Hexagon Nut M6	1	10793	GB/T6187.1	B51H60600R
6	Park Brake Caliper Asm.	1	84178	LH800U-2D.26.3	4CH-25701-00
7	Washer	2	24210	LH260ATV.20-4	4AL-21415-00
8	Hexagon Flange Bolt M8X25	2	10059	GB/T16674.1	B11L00825R
9	Spring Washer	2	10106	GB/T93	B653108000
10	Washer	2	10068	GB/T97.1	B631308000
11	Park Brake Disc	1	84096	LH800U-D.26-1b	4CA-25711-02

REAR VIEW MIRROR ASSY



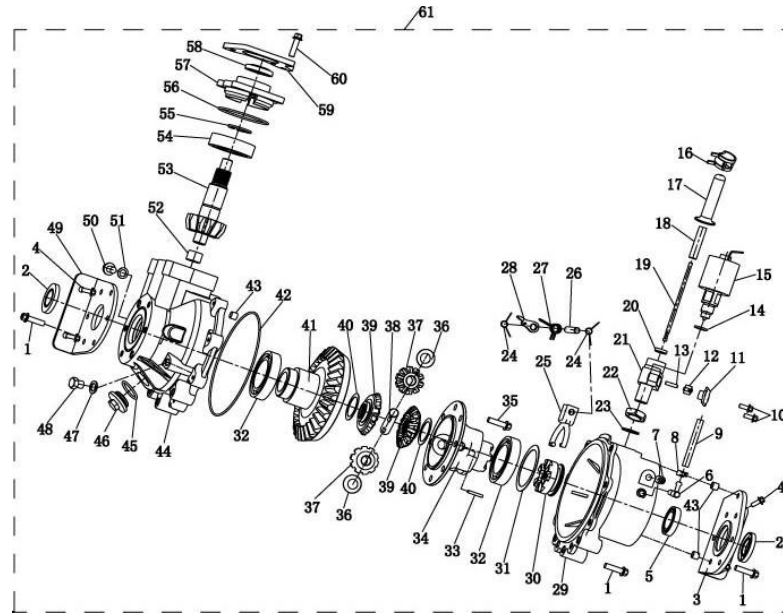
REF. No.	DESCRIPTION	QTY	PART NUMBER	SPEC 1	PLM SPEC 2
1	Center Mirror Kit	1	26890	LH300CUV.28.4	4CC-26210-00
2	Cross Recessed Pan Head Screw M6×12	2	26262	GB/T818	B23B20612R
3	Left Mirror Kit	1	84099	LH800U-D.28.1	4CA-26210-00
4	Hexagon Flange Bolt M6×20	4	10110	GB/T16674.1	B11A30620R
5	Prevailing Torque Type All-metal Hexagon Nut M6	4	10793	GB/T6187.1	B51H60600R
6	Right Mirror Kit	1	84100	LH800U-D.28.2	4CA-26220-00
7	Bracket, Center Mirror Kit	1	73444		4CF-77530-00

SEAT BELT



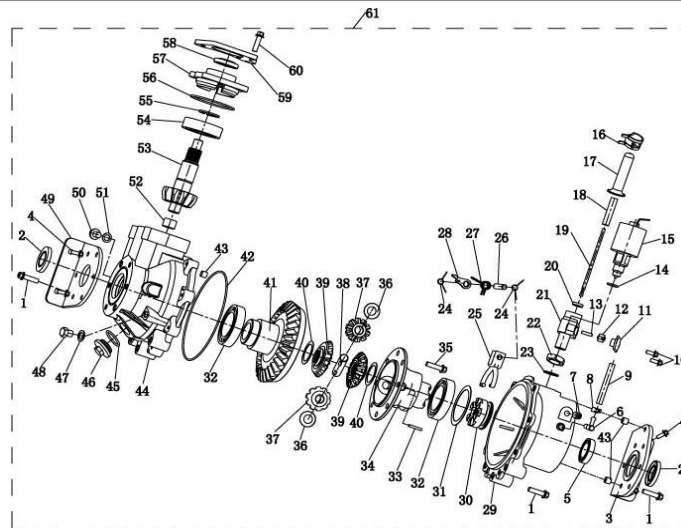
REF. No.	DESCRIPTION	QTY	PART NUMBER	SPEC 1	PLM SPEC 2
1	Belt	2	84093	LH800U-D.30.1	4CA-24711-00
2	Lock,Belt	2	84094	LH800U-D.30.2	4CA-24721-00
3	Bolt	4	26916	LH300CUV.30-1	4CC-24721-00
4	Spring Washer	8	26917	LH300CUV.30-2	4CC-24722-00
5	Washer	8	26918	LH300CUV.30-3	4CC-24723-00
6	Nut	8	26919	LH300CUV.30-4	4CC-24724-00

REAR GEARCASE EXPLODED VIEW



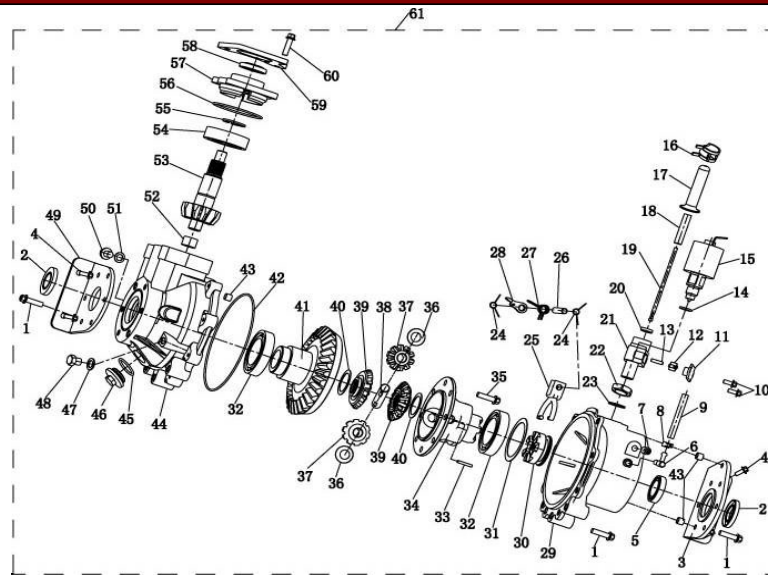
REF. No.	DESCRIPTION	QTY	PART NUMBER	SPEC 1	PLM SPEC 2
1	Hexagon Flange Bolt M8×25	21	10059	GB/T16674.1	B11A30825R
2	Oil Seal 30X50X6.5	2	73016	LHTY.3a.1	1CA-23809-00
3	Fitting Holder-With Bearing	1	84057	LHTY.3b-21	1CA-23822-00
4	Hexagon Flange Bolt M8×1.25×35	4	10124	GB/T16674.1	B11L30835R
5	Bearing 206	1	10808	GB/T276	BCC0100056
6	Hose Fitting	1	21112	LH260ATV.12.3	4AL-23821-00
7	Inner Six Angle Plug	2	73037	LHTY.3-13	1CA-23857-00
8	Clip	1	25107	LH260ATV.12-12	4AL-23843-00
9	Vent Tube	1	21111	LH260ATV.12-14	4AL-23842-00
10	Hexagon Flange Bolt M6×15	2	10010	GB/T16674.1	B11A30615R
11	Cover, Converter	1	73023	LHTY.3a.7-3	1CA-23832-00
12	Rock Arm	1	73026	LHTY.3a.7-5	1CA-23835-00
13	Parallel Pin	1	10789	GB/T119	B311105200
14	O-Ring	1	73013	LHTY.3.3-2	1CA-2351M-00
15	Diff Solenoid	1	71978	LHTY.3.3	1CA-23588-00
16	Clip	1	71358	170M.20-4	1BB-14885-00
17	Rubber protective sleeve	1	73292	4CF-46108-00	4CF-46108-00
18	Thread Adjusting Sleeve	1	73025	LHTY.3a.7-4	1CA-23834-00
19	Rod, Converter	1	73028	LHTY.3a-23	1CA-23840-00
20	OIL SEAL 12X50X5	1	73024	LHTY.3a.7.1	1CA-23833-00
21	Case, Converter	1	73022	LHTY.3a.7-2	1CA-23831-00
22	Nut M20×1.5	1	73019	LHTY.3a.7-1	1CA-23816-00

REAR GEARCASE EXPLODED VIEW



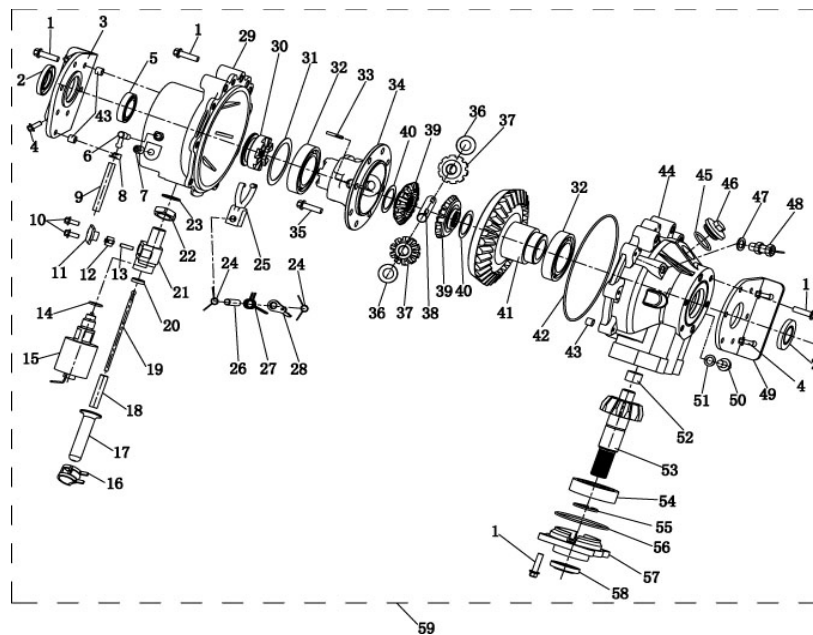
REF. No.	DESCRIPTION	QTY	PART NUMBER	SPEC 1	PLM SPEC 2
23	Washer	1	73027	JB/T 982	1CA-23837-00
24	Shift Return Spring	2	73040	LHTY.3a-16	1CA-23860-00
25	Shift Yoke	1	73041	LHTY.3.4	1CA-23861-00
26	Shift Bar	1	73039	LHTY.3-15	1CA-23859-00
27	Shift Lever Spring	1	73038	LHTY.3a-14	1CA-23858-00
28	Shift Lever	1	73029	LHTY.3a.5	1CA-23846-00
29	Carrier Cover Half	1	84056	LHTY.3a-10	1CA-23821-00
30	Clutch Gear	1	73030	LHTY.3a-5	1CA-23847-00
31	Diff Case Thrust-Washer	1	21106	LH260ATV.12-6	4AL-23852-00
32	Bearing 110	2	10056	GB/T276	BCC0100092
33	Diff Roll Pin	1	10788	GB/T119	B311104240
34	Diff Case	1	73033	LHTY.3a-8	1CA-23850-00
35	Hexagon Flange Bolt M10×20	8	84059	Q180	1CA-23856-00
36	Pinion Mate Thrust-Washer	2	73036	LHTY.3-12	1CA-23854-00
37	Diff Pinion Mate Gear	2	73035	LHTY.3-11	1CA-23853-00
38	Diff Cross Pin	1	73032	LHTY.3-7	1CA-23849-00
39	Diff Side Gear	2	73031	LHTY.3a-6	1CA-23848-00
40	Side Gear Thrust-Washer	2	73034	LHTY.3-9	1CA-23851-00
41	Bevel Gear -Driven	1	73018	LHTY.3a-2	1CA-23814-00
42	O-Ring 176X2.65-Housing Halves	1	21105	LH260ATV.12-8	4AL-23812-00

REAR GEARCASE EXPLODED VIEW



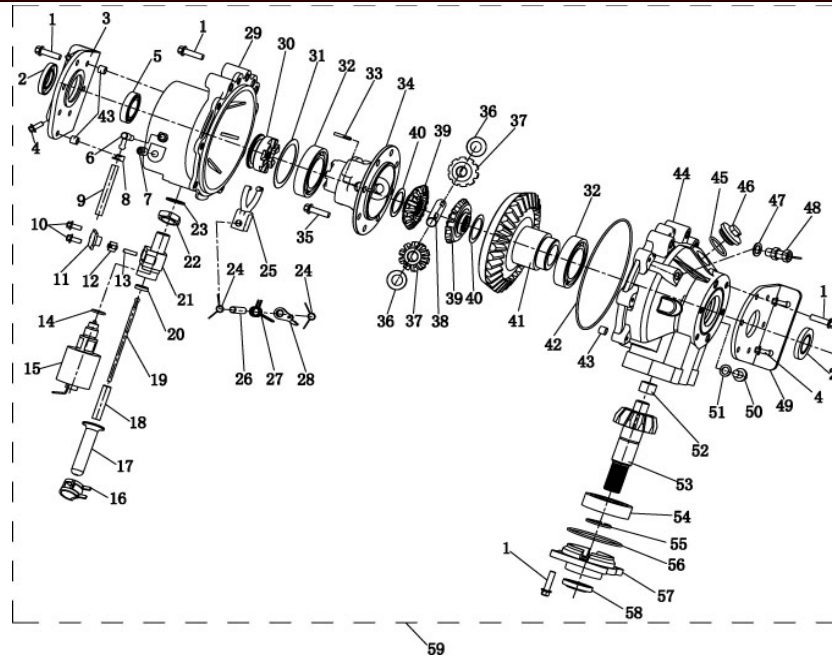
REF. No.	DESCRIPTION	QTY	PART NUMBER	SPEC 1	PLM SPEC 2
43	Locating Pin	3	21104	LH260ATV.17-17	4AL-23815-00
44	Carrier Housing Half	1	84054	LHTY.3a-3	1CA-23802-00
45	O-Ring	1	50082	153FM.16-6	1AC-15126-00
46	Fill Plug	1	24305	153FM.16-3	1AC-15191-00
47	Plain Washer	1	29613	LH200ATV.16A-2	4AL-23820-00
48	Six Hexagon Bolt M12X1.25X12	1	73138	JB/ZQ4450	4CF-23804-00
49	Fitting Holder	1	84055	LHTY.3a-20	1CA-23811-00
50	Drain Plug	1	73020	LHTY.3a.8	1CA-23818-00
51	Aluminium Washer	1	73021	LHTY.3-18	1CA-23819-00
52	Liner Bushing	1	10810	GB/T12613	BCC6200001
53	Bevel Gear -Driving	1	73014	LHTY.3a-22	1CA-23805-00
54	Bearing 6306ST	1	10809	GB/T276	BCC0100093
55	circlip For Shaft	1	21120	LH260ATV.12-11	4AL-23819-00
56	O-Ring 79X2.65	1	20901A	LH260ATV.12-10	4AL-23810-00
57	Input Cover-Carrier Housing Half	1	73017	LHTY.3a-1	1CA-23813-00
58	Oil Seal 30X45X7	1	73015	LHTY.3.2	1CA-23808-00
59	Mount Bracket-Parking Braking	1	84058	LHTY.3a-19	1CA-23855-00
60	Hexagon Flange Bolt M8x30	4	10078	GB/T16674.1	B11L30830R
61	Rear Gearcase ASSY.	1	84164	4CH-23800-00	4CH-23800-00

FRONT GEARCASE EXPLODED VIEW



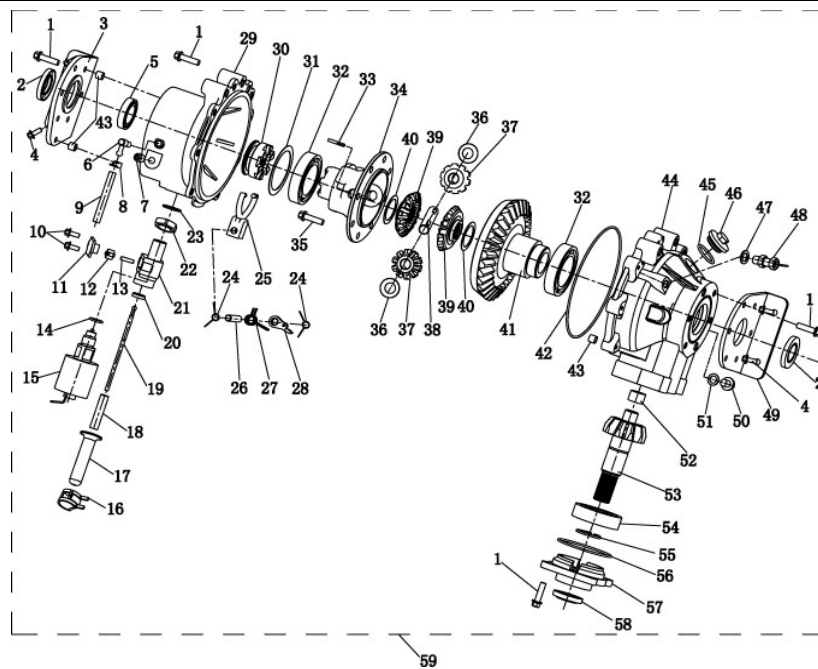
REF. No.	DESCRIPTION	QTY	PART NUMBER	SPEC 1	PLM SPEC 2
1	Hexagon Flange Bolt M8x25	25	10059	GB/T16674.1	B11A30825R
2	Oil Seal 30X50X6.5	2	73016	LHTY.3a.1	1CA-23809-00
3	Fitting Holder-With Bearing	1	84210	4CH-46102-00	4CH-46102-00
4	Hexagon Flange Bolt M8x1.25x35	4	10124	GB/T16674.1	B11L30835R
5	Bearing 206	1	10808	GB/T276	BCC0100056
6	Hose Fitting	1	21112	LH260ATV.12.3	4AL-23821-00
7	Inner Six Angle Plug	2	73037	LHTY.3-13	1CA-23857-00
8	Clip	1	25107	LH260ATV.12-12	4AL-23843-00
9	Vent Tube	1	21111	LH260ATV.12-14	4AL-23842-00
10	Hexagon Flange Bolt M6x15	2	10010	GB/T16674.1	B11A30615R
11	Cover, Converter	1	73023	LHTY.3a.7-3	1CA-23832-00
12	Rock Arm	1	73026	LHTY.3a.7-5	1CA-23835-00
13	Parallel Pin	1	10789	GB/T119	B311105200
14	O-Ring	1	73013	LHTY.3.3-2	1CA-2351M-00
15	Diff Solenoid	1	71978	LHTY.3.3	1CA-23588-00
16	Clip	1	71358	170M.20-4	1BB-14885-00
17	Rubber protective sleeve	1	73139	4CF-23808-00	4CF-23808-00
18	Thread Adjusting Sleeve	1	73025	LHTY.3a.7-4	1CA-23834-00
19	Rod, Converter	1	73028	LHTY.3a-23	1CA-23840-00
20	OIL SEAL 12X50X5	1	73024	LHTY.3a.7.1	1CA-23833-00
21	Case, Converter	1	73022	LHTY.3a.7-2	1CA-23831-00
22	Nut M20x1.5	1	73019	LHTY.3a.7-1	1CA-23816-00

FRONT GEARCASE EXPLODED VIEW



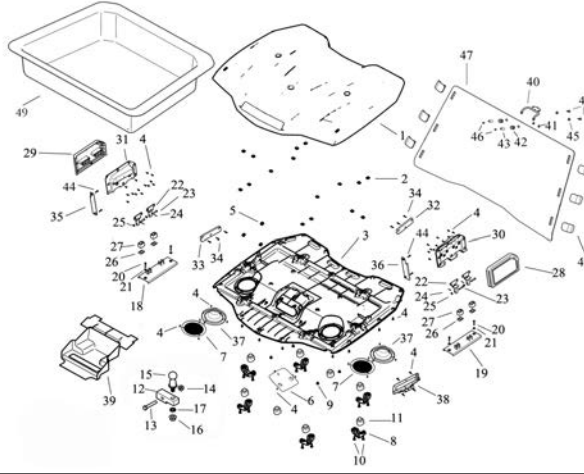
REF. No.	DESCRIPTION	QTY	PART NUMBER	SPEC 1	PLM SPEC 2
23	Washer	1	73027	JB/T 982	1CA-23837-00
24	Shift Return Spring	2	73040	LHTY.3a-16	1CA-23860-00
25	Shift Yoke	1	73041	LHTY.3.4	1CA-23861-00
26	Shift Bar	1	73039	LHTY.3-15	1CA-23859-00
27	Shift Lever Spring	1	73038	LHTY.3a-14	1CA-23858-00
28	Shift Lever	1	73029	LHTY.3a.5	1CA-23846-00
29	Carrier Cover Half	1	84056	LHTY.3a-10	1CA-23821-00
30	Clutch Gear	1	73030	LHTY.3a-5	1CA-23847-00
31	Diff Case Thrust-Washer	1	21106	LH260ATV.12-6	4AL-23852-00
32	Bearing 110	2	10056	GB/T276	BCC0100092
33	Diff Roll Pin	1	10788	GB/T119	B311104240
34	Diff Case	1	73033	LHTY.3a-8	1CA-23850-00
35	Hexagon Flange Bolt M10×25	8	10503	GB/T16674.1	B11A31025R
36	Pinion Mate Thrust-Washer	2	73036	LHTY.3-12	1CA-23854-00
37	Diff Pinion Mate Gear	2	73035	LHTY.3-11	1CA-23853-00
38	Diff Cross Pin	1	73032	LHTY.3-7	1CA-23849-00
39	Diff Side Gear	2	73031	LHTY.3a-6	1CA-23848-00
40	Side Gear Thrust-Washer	2	73034	LHTY.3-9	1CA-23851-00
41	Bevel Gear -Driven	1	73018	LHTY.3a-2	1CA-23814-00
42	O-Ring 176X2.65-Housing Halves	1	21105	LH260ATV.12-8	4AL-23812-00

FRONT GEARCASE EXPLODED VIEW



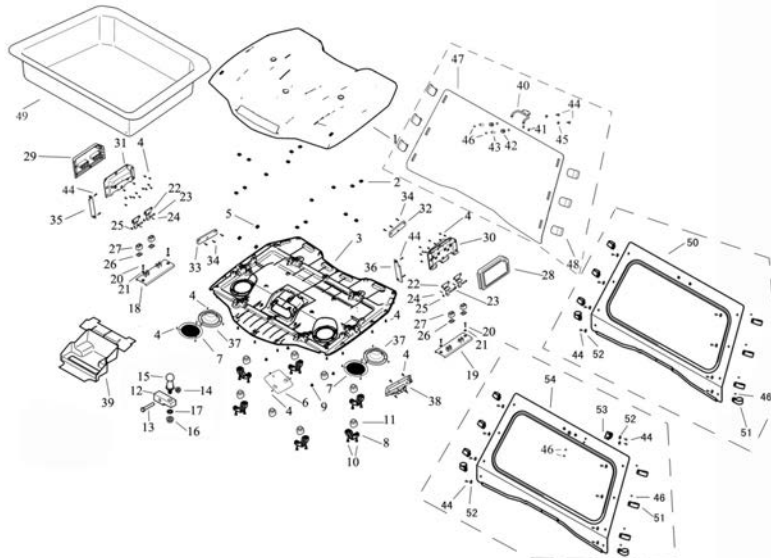
REF. No.	DESCRIPTION	QTY	PART NUMBER	SPEC 1	PLM SPEC 2
43	Locating Pin	3	21104	LH260ATV.17-17	4AL-23815-00
44	Carrier Housing Half	1	84054	LHTY.3a-3	1CA-23802-00
45	O-Ring	1	50082	153FM.16-6	1AC-15126-00
46	Fill Plug	1	24305	153FM.16-3	1AC-15191-00
47	Plain Washer	1	29613	LH200ATV.16A-2	4AL-23820-00
48	Gear Sensor	1	25601	LH260ATV.17.8.2	4AL-23856-00
49	Fitting Holder	1	84209	4CH-46101-00	4CH-46101-00
50	Drain Plug	1	73020	LHTY.3a.8	1CA-23818-00
51	Aluminium Washer	1	73021	LHTY.3-18	1CA-23819-00
52	Liner Bushing	1	10810	GB/T12613	BCC6200001
53	Bevel Gear -Driving	1	84211	4CH-46103-00	4CH-46103-00
54	Bearing 6306ST	1	10809	GB/T276	BCC0100093
55	circlip For Shaft	1	21120	LH260ATV.12-11	4AL-23819-00
56	O-Ring 79X2.65	1	20901A	LH260ATV.12-10	4AL-23810-00
57	Cover-Carrier Housing Half	1	73017	LHTY.3a-1	1CA-23813-00
58	Oil Seal 30X45X7	1	73015	LHTY.3.2	1CA-23808-00
59	Front Gearcase ASSY.	1	84214	4CH-46150-00	4CH-46150-00

OPTIONS



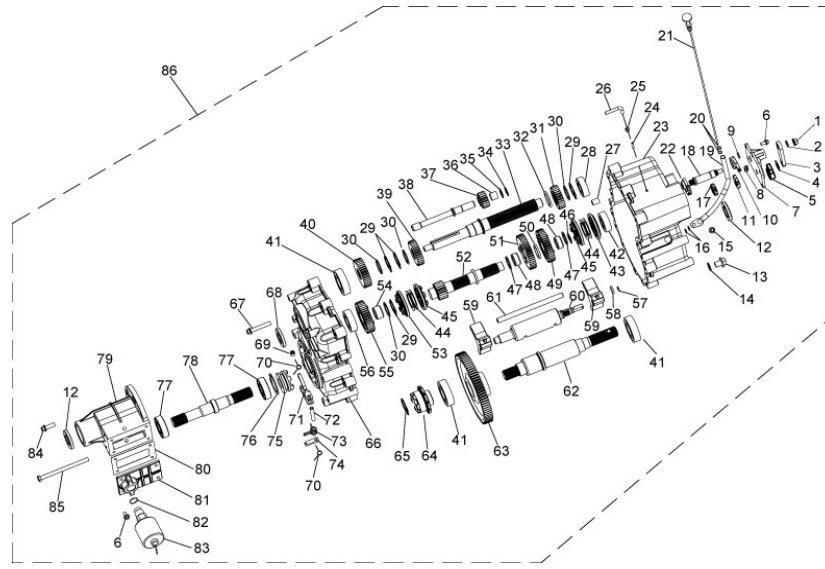
REF. No.	DESCRIPTION	QTY	PART NUMBER	SPEC 1	PLM SPEC 2
1	Upper Roof Panel	1	73446	LH700U.2-2	4CF-28381-00
2	Spring Nut M6	16	70960	LH300CUV.2-57	4CC-21811-00
3	Lwr Roof Panel	1	73447	LH700U.2-3	4CF-28382-00
4	Cross Recessed Pan Head Tapping Screw ST4.8×16	63	10009	GB/T845	B21L34J160
5	Spring Nut ST4.8	3	22346	LYM100T.6-2	3AE-28317-00
6	Cover, Ceiling Lamp	1	73448	LH700U.2-62	4CF-28383-00
7	Cover,Loudspeaker	2	73449	LH700U.2-64	4CF-28384-00
8	Shifter Holder	6	73450	LH700U.2-1	4CF-28386-00
9	Screw M6×16	4	73054	LH800U-D.2-22B	4CA-24832-00
10	Screw M6×30	12	73055	LH800U-D.2-22F	4CA-24833-00
11	Rubber,Frame Roof	8	73451	LH700U.2-74	4CF-28387-00
12	Bracket. Tractor	1	84116	LH400CUV-2.10.3	4CD-28501-00
13	Hexagon Flange Bolt M16×85	1	10865	GB/T5782	B15L31685R
14	Prevailing Torque Hexagon Nut With Flange M16	1	10881	GB/T6187.1	B51C31600R
15	Ball,Tractor	1	73453		4CF-77520-00
16	Nut 22	1	73454		4CF-77521-00
17	Spring Lock Washer 22	1	10816	GB/T93	B653322000
18	Bracket 1, RH Small Fender	1	73455	LH700U.34.1	4CF-77503-00
19	Bracket 1,LH Small Fender	1	73456	LH700U.34.2	4CF-77504-00
20	Cross Recessed Pan Head Screw M6×40	4	10817	GB/T818	B23A30640L
21	Washer 6 (6.4×18×1.6)	4	10011	GB/T96	B611006020
22	Hinge	4	73457	LH700U.34.3	4CF-77505-00
23	Pin	4	73458	LH700U.34-3	4CF-77510-00
24	Cotter Pin 2×20	4	10790	GB/T91	B377202220
25	Washer 8	4	10068	GB/T97.1	B631308000
26	Bracket. Small Fender	4	73459	LH700U.34-1	4CF-77508-00

OPTIONS



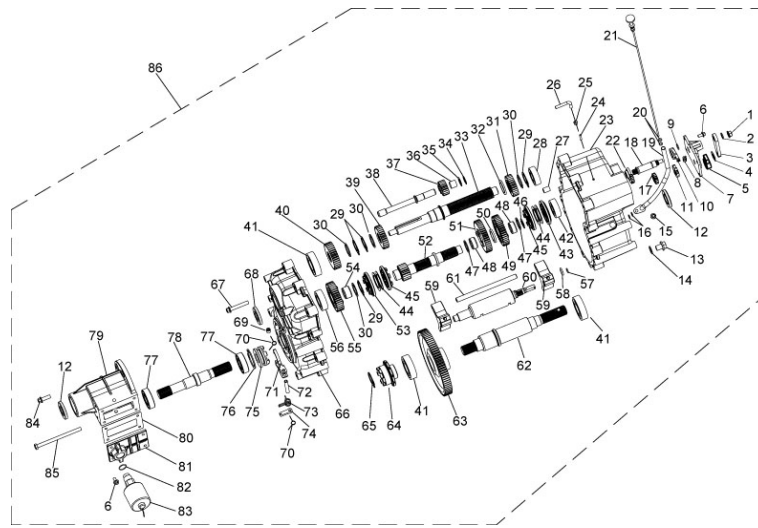
REF. No.	DESCRIPTION	QTY	PART NUMBER	SPEC 1	PLM SPEC 2
27	Rubber,Small Fender	4	73460	LH700U.34-2	4CF-77509-00
28	Small Fender,LH	1	73461	LH700U.34.6	4CF-77506-00
29	Small Fender,RH	1	73462	LH700U.34.7	4CF-77507-00
30	Inner, LH Small Fender	1	73463		4CF-77517-00
31	Inner, RH Small Fender	1	73464		4CF-77518-00
32	Rubber, LH Small Fender	1	73465		4CF-77515-00
33	Rubber, RH Small Fender	1	73466		4CF-77516-00
34	Cross Recessed Pan Head Tapping Screw ST4.8×25	6	10534	GB/T845	B21L34J250
35	Bracket 2, RH Small Fender	1	73467		4CF-77513-00
36	Bracket 2, LH Small Fender	1	73468		4CF-77514-00
37	Holder,Loudspeaker	2	73469	LH700U.2-63	4CF-28388-00
38	Holder,Stereo	1	73470	LH700U.2-66	4CF-28389-00
39	Felt,Fixed Hood	1	73471	LH700U.2-101	4CF-28377-00
40	Bracket,Windshield	1	73472	LH300CUV.32.1-2	4CC-77501-00
41	Cross Recessed Pan Head Screw M6X12	2	26262	GB/T818	B23B20612R
42	Rubber Sheath	2	70449	LH520ATV.2-39	4AB-2830D-00
43	Bushing	2	70543	LH520ATV.2-40	4AB-2830E-00
44	Screw M6×25	14	73473	LH800U-D.2-22E	4CA-24830-00
45	Washer 6 (6.4×18×1.6)	2	10011	GB/T96.1	B617406160
46	Nut M6	10	26269	GB/T923	B5DL20600R
47	Windshield	1	73474	LH700U.34-4	4CF-77501-00
48	Holder. Windshield	6	73475	LH700U.34.6	4CF-77502-00
49	Box	1	84258		4CH-28310-00
50	Windshield 2. Iron	1	84254		4CH-77522-00
50	Windshield 2. Aluminum	1	84255		4CH-77523-00
51	Clamp, Roof Panel	8	84256	LH300CUV-B.2-47	4CP-28301-00
52	Washer 6	10	10006	GB/T97.1	B638206000
53	Bracket,Wiper	1	84257		4CH-77526-00
54	Windshield 3. Iron	1	84259		4CH-77540-00
54	Windshield 3. Aluminum	1	84260		4CH-77541-00

TRANSMISSION EXPLODED VIEW



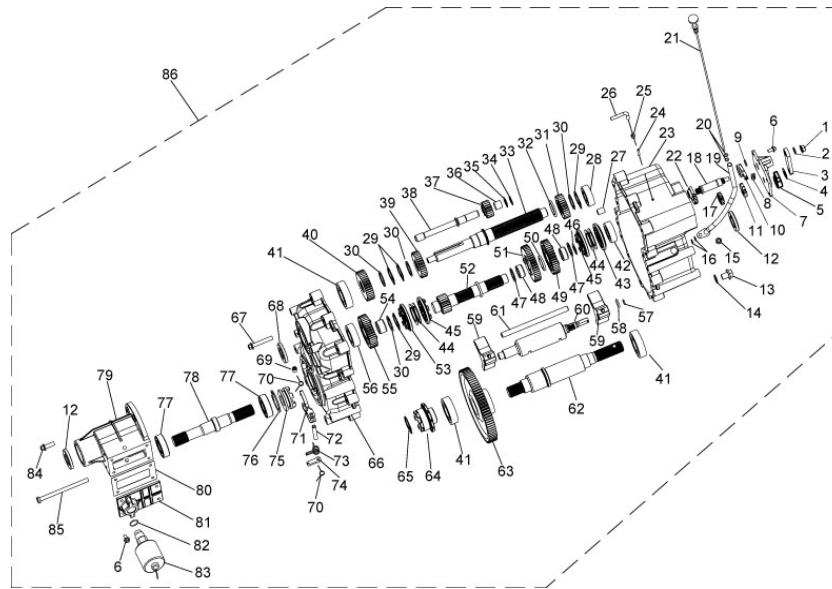
REF. No.	DESCRIPTION	QTY	PART NUMBER	SPEC 1	PLM SPEC 2
1	Nut M8	1	10067	GB/T6184	B57L208000
2	Washer 8	1	10068	GB/T97.1	B63L008000
3	Shift Bracket	1	84001	LHTY.5.2-10	1CA-23502-00
4	Circlip 11	1	10767	GB/T894.1	B753311000
5	Gear Shift Component	1	84050	LHTY.5.2.2	1CA-23582-00
6	Bolt M6X16	9	10183W	GB/T16674.1	B11A20616R
7	Cover	1	84002	LHTY.5-3	1CA-23504-00
8	Spring	1	84003	LHTY.5.2-9a	1CA-23505-01
9	O-Ring 13.2X1.8	1	10887	GB3452.1	B921321802
10	Stop Swing Lever, Gear Shift	1	84004	LHTY.5.2-5	1CA-23506-00
11	Camshaft, Gear Shift	1	84005	LHTY.5.2-7	1CA-23507-00
12	Oil Seal 25X47X8	2	21201	LH260ATV.17.6	4AL-23508-00
13	Bolt	1	50105	153FM.17-4	1AC-15342-00
14	Washer	1	1309283	153FM.17-5	1AC-15343-00
15	Bolt M6X12	1	10140	GB/T16674.1	B11L30612R
16	O-Ring 10X1.8	2	10291	GB3452.1	B921001801
17	Driven Gear, Gear Shift	1	84006	LHTY.5.2-8	1CA-23509-00
18	Shaft, Gear Shift	1	84007	LHTY.5.2-6a	1CA-23510-01
19	Guide Tube, Oil Dip-Stick	1	84048	LHTY.5.6	1CA-23566-00
20	O-Ring 6.4X1.8	2	84019	LHTY.5.4-1	1CA-2351F-00
21	Oil Dip-Stick Component	1	84049	LHTY.5.4	1CA-23567-00
22	Drive Gear, Gear Shift	1	84008	LHTY.5.2-4	1CA-23511-00
23	Case, Gear Box	1	84042	LHTY.5-1	1CA-23551-00
24	Vent Tube Fitting	1	21340	LH260ATV.17.2-1	4AL-23573-00
25	Spring Clip	1	29530	1E52FM030009	1CA-23554-00
26	Vent Tube	1	21339	LH260ATV.17-7	4AL-23571-00

TRANSMISSION EXPLODED VIEW



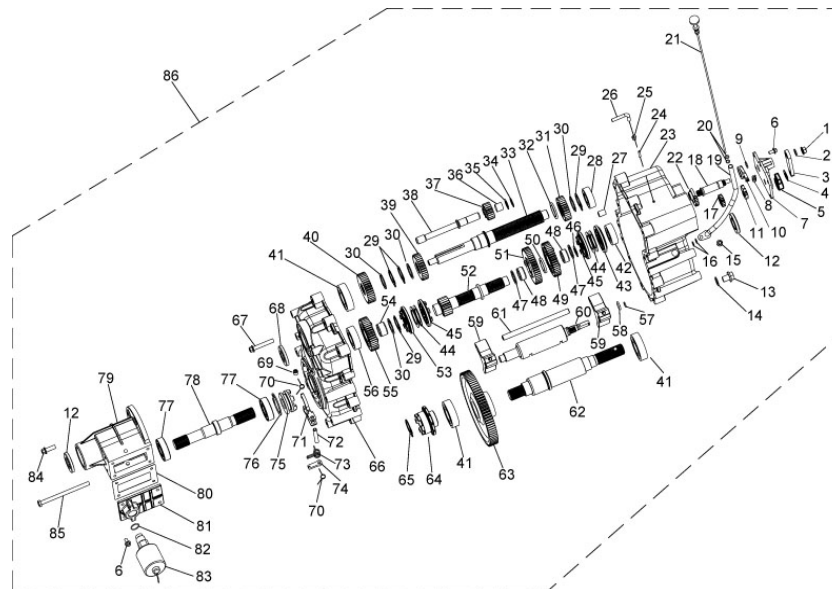
REF. No.	DESCRIPTION	QTY	PART NUMBER	SPEC 1	PLM SPEC 2
27	Pin Dowel	2	21104	LH260ATV.17-17	4AL-23815-00
28	Bearing 6204	1	10062	GB/T276	BCC0100054
29	Circlip 28	4	10769	GB/T894.1	B753328000
30	Washer 28.5A	4	84023	LHTY.5.1-9	1CA-23524-00
31	Drive Gear, Reverse	1	84026	LHTY.5.1-10	1CA-23527-00
32	Washer 28.5B	1	84025	LHTY.5.1-13	1CA-23526-00
33	Shaft	1	84161	4CH-23521-00	4CH-23521-00
34	Circlip 15	1	10768	GB/T894.1	B753315000
35	Washer 15.5	1	84028	LHTY.5.1-12	1CA-23535-00
36	Bushings	1	84017	LHTY.5.1.2-1	1CA-2351C-00
37	Gear Counter, Reverse	1	84018	LHTY.5.1.2-2	1CA-2351D-00
38	Shaft Counter, Reverse	1	84029	LHTY.5.1-11	1CA-23536-00
39	Drive Gear, Low Speed	1	84024	LHTY.5.1-14	1CA-23525-00
40	Drive Gear, High Speed	1	84022	LHTY.5.1-15	1CA-23523-00
41	Bearing 6206	3	10808	GB/T276	BCC0100056
42	Bearing 6303	1	26013	GB/T276	BCC0100052
43	Engagement B	1	84031	LHTY.5.1-3	1CA-23539-00
44	Spring Washer	2	84027	LHTY.5.1-4	1CA-23532-00
45	Engagement C	2	84032	LHTY.5.1-16	1CA-23540-00
46	Circlip 25	1	10064	GB/T894.1	B753325010
47	Washer 25.5B	2	21219	LH260ATV.17.1-5	4AL-23572-00
48	Bearing 25X29X13	2	84038	LHTY.5.1.1	1CA-23546-00
49	Driven Gear, Reverse	1	84039	LHTY.5.1-1	1CA-23547-00
50	Washer 25.5A	1	84034	LHTY.5.1-6	1CA-23542-00
51	Driven Gear, Low Speed	1	84037	LHTY.5.1-7	1CA-23545-00
52	Side Shaft	1	84033	LHTY.5.1-5	1CA-23541-00

TRANSMISSION EXPLODED VIEW



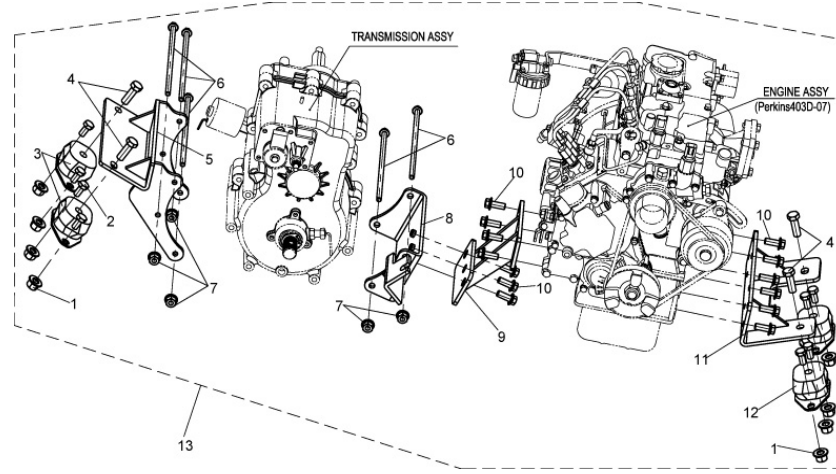
REF. No.	DESCRIPTION	QTY	PART NUMBER	SPEC 1	PLM SPEC 2
53	Engagement A	1	84030	LHTY.5.1-2	1CA-23538-00
54	Bearing 28X33X17	1	84036	LHTY.5.1.3	1CA-23544-00
55	Driven Gear, High Speed	1	84035	LHTY.5.1-17	1CA-23543-00
56	Bearing 6205C3	1	10061	GB/T276	BCC0100055
57	O-Ring 9.5X1.8	1	21615	GB3452.1	B929501801
58	O-Ring 14.5X3	1	84052	LHTY.5.2-3	1CA-23584-00
59	Shift Fork	2	84020	LHTY.5.2.1-2	1CA-2351K-00
60	Drum, Fork Shift	1	84051	LHTY.5.2-1	1CA-23583-00
61	Guide Shaft, Shift Fork	1	84053	LHTY.5.2-2	1CA-23585-00
62	Output Shaft	1	84040	LHTY.5.1-19	1CA-23548-00
63	Gear, Output	1	84041	LHTY.5.1-18	1CA-23549-00
64	Engagement B, Front Drive	1	84009	LHTY.5.3-6	1CA-23512-00
65	Circlip 24	1	10164	GB/T894.1	B753124000
66	Cover, Gear Box Case	1	84043	LHTY.5-2	1CA-23552-00
67	Bolt M8X50	12	10403	GB/T16674.1	B11L208500
68	Oil Seal 28X40X7	1	84045	LHTY.5.5	1CA-23556-00
69	Plug Pin, Fork Shift Shaft	1	84010	LHTY.5.3-11	1CA-23513-00
70	Spring	2	84011	LHTY.5.3-7	1CA-23514-00
71	Fork Shift Comp.	1	84012	LHTY.5.3.1	1CA-23515-00
72	Shaft, Fork Shift	1	84013	LHTY.5.3-10	1CA-23516-00
73	Spring, Lever Of Fork Shift	1	84014	LHTY.5.3-9	1CA-23517-00
74	Lever, Fork Shift	1	84015	LHTY.5.3-8	1CA-23518-00
75	Engagement A, Front Drive	1	84016	LHTY.5.3-5	1CA-23519-00
76	Circlip 52	1	10885	GB/T893.1	B723352000
77	Bearing 6205	2	10778	GB/T276	BCC0100021
78	Shaft, Front Drive	1	84021	LHTY.5.3-3	1CA-23520-01

TRANSMISSION EXPLODED VIEW



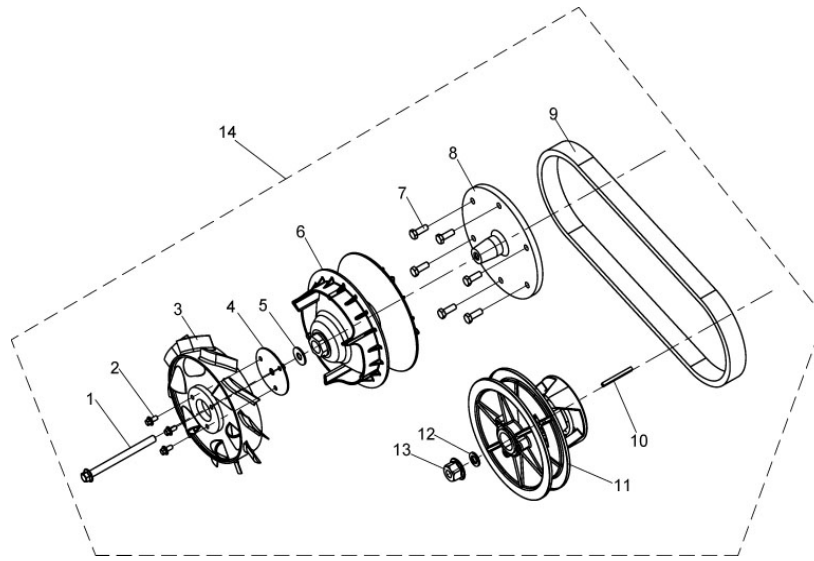
REF. No.	DESCRIPTION	QTY	PART NUMBER	SPEC 1	PLM SPEC 2
79	Case, Front Drive	1	84044	LHTY.5.3-4	1CA-23555-00
80	Gasket	1	84047	LHTY.5.3-2	1CA-23558-00
81	Cover	1	84046	LHTY.5.3-1	1CA-23557-00
82	Seal	1	73013	LHTY.3.3-2	1CA-2351M-00
83	Solenoid	1	71978	LHTY.3.3	1CA-23588-00
84	Bolt M8X25	4	10739	GB/T5783	B14A30825R
85	Bolt M8X120	1	10871	GB/T5783	B14L208M00
86	Transmission Assy	1	84163	4CH-23590-00	4CH-23590-00
87	O-Ring 18x2.65	1	10122	GB/T3452.1	B921802651
88	Cover,Oil	1	70235	LH2V70.6-2	1DA-15363-00

ENGINE & TRANSMISSION MOUNTING PARTS EXPLODED VIEW



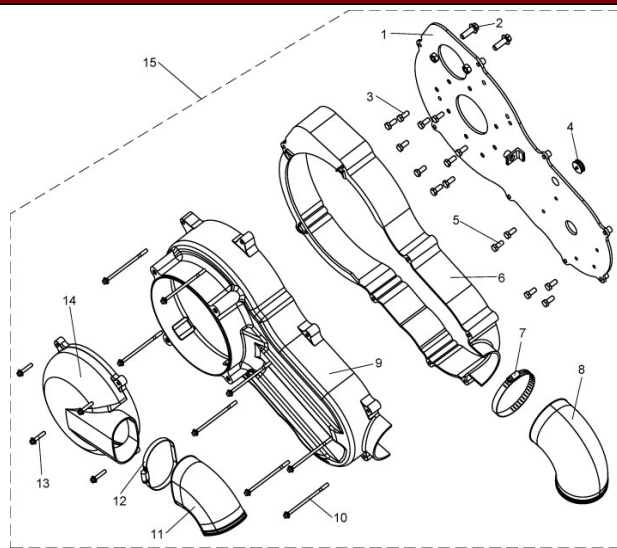
REF. No.	DESCRIPTION	QTY	PART NUMBER	SPEC 1	PLM SPEC 2
1	Nut M10X1.5	8	10883	GB/T6187.1	B51G31000R
2	Bolt M10X1.5X20	8	10869	GB/T5783	B14D31020R
3	Damper,Transmission Assy	2	84083	LH800U-D.18.4	4CA-21485-00
4	Bolt M12X1.75X35	4	10870	GB/T5783	B14D31235R
5	Transmission Mounting Bracket	1	84154	4CH-21314-00	4CH-21314-00
6	Axle,Transmission Mounting Bracket	5	84082	LH800U-D.18-2	4CA-21312-00
7	Nut M8	5	10882	GB/T6187.1	B51F30800R
8	Fitting Board Comp.2	1	84157	4CH-21317-00	4CH-21317-00
9	Fitting Board Comp.1	1	84156	4CH-21316-00	4CH-21316-00
10	Bolt M10X1.5X20	15	10873	GB/T5789	B13C31020A
11	Engine Mounting Bracket	1	84155	4CH-21315-00	4CH-21315-00
12	Damper,Engine Assy	2	84084	LH800U-D.18.1	4CA-21486-00
13	Engine&Transmisson Mounting Parts	1	84153	4CH-21300-00	4CH-21300-00

CVT ASSY EXPLODED VIEW



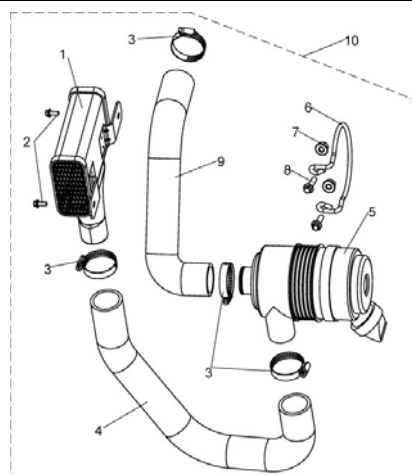
REF. No.	DESCRIPTION	QTY	PART NUMBER	SPEC 1	PLM SPEC 2
1	Bolt	1	84069	LH800U-D.32-3	4CA-17603-00
2	Bolt M6X12	3	10140B	GB/T16674.1	B11A30612R
3	Fan Comp.,CVT	1	84072	LH800U-D.32.3	4CA-17606-00
4	Board Comp.,Drive Pulley	1	84073	LH800U-D.32.4	4CA-17607-00
5	Adjust Washer	1	84071	LH800U-D.32-5	4CA-17605-00
6	Drive Pulley Comp.	1	84067	LH800U-D.32.1	4CA-17601-00
7	Bolt M8X22	6	10867	GB/T5783	B14A30822R
8	Shaft	1	84162	4CH-23522-00	4CH-23522-00
9	Belt	1	84079	LH800U-D.32-1	4CA-17641-00
10	Key, B4.7X55	1	84070	LH800U-D.32-4	4CA-17604-00
11	Driven Pulley Comp.	1	84068	LH800U-D.32.2	4CA-17602-00
12	Washer 12	1	28053	153FM.9-4	1AC-17615-00
13	Nut M12X1.25	1	10136	GB/T6187.2	B52F31200A
14	CVT Assy	1	84147	4CH-17620-00	4CH-17620-00

CVT COVER ASSY EXPLODED VIEW



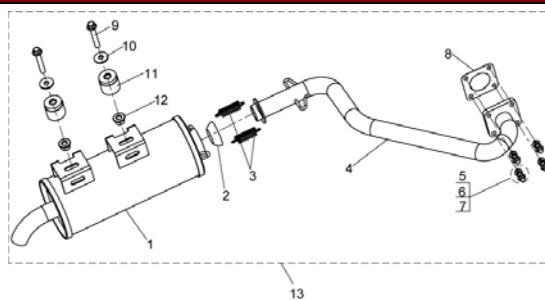
REF. No.	DESCRIPTION	QTY	PART NUMBER	SPEC 1	PLM SPEC 2
1	Fitting Board	1	84142	4CH-17601-00	4CH-17601-00
2	Bolt M10X30	2	10282	GB/T16674.1	B11A31030R
3	Bolt M8X18	10	10866	GB/T5783	B14A20818R
4	Rubber Sleeve	1	84145	4CH-17604-00	4CH-17604-00
5	Bolt M8X20	5	10035	GB/T5783	B14A30820R
6	Down Cover .CVT	1	84144	4CH-17603-00	4CH-17603-00
7	Clamp B	1	84078	LH800U-D.33.5	4CA-17613-00
8	Outlet Plastic Pipe	1	84077	LH800U-D.33-3	4CA-17612-00
9	Upper Cover Comp. CVT	1	84143	4CH-17602-00	4CH-17602-00
10	Bolt M6X110	8	27208	GB/T16674.1	B11A306110
11	Intake Plastic Pipe	1	84075	LH800U-D.33-2	4CA-17609-00
12	Clamp A	1	84076	LH800U-D.33.3	4CA-17610-00
13	Bolt M6X30	4	10182	GB/T16674.1	B11A30630R
14	Top Cover, CVT	1	84074	LH800U-D.33-1	4CA-17608-00
15	CVT Cover Assy	1	84146	4CH-17610-00	4CH-17610-00

AIR INTAKE EXPLODED VIEW



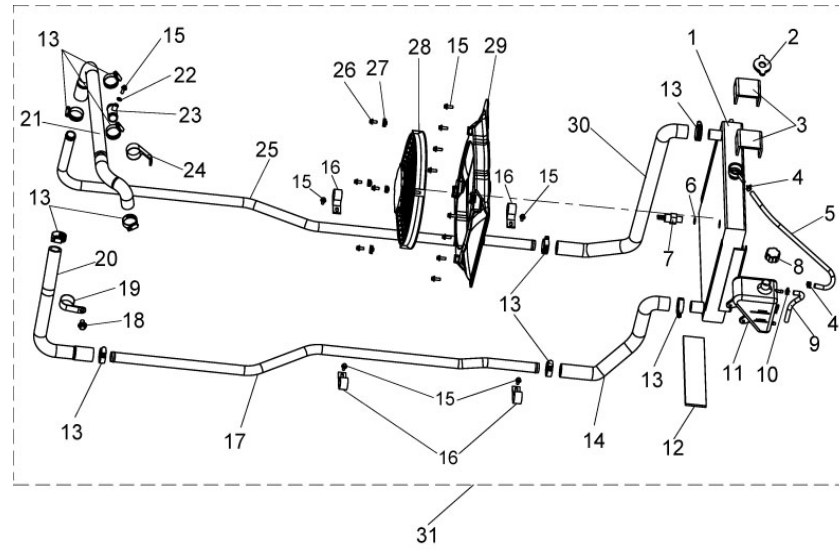
REF. No.	DESCRIPTION	QTY	PART NUMBER	SPEC 1	PLM SPEC 2
1	Air Intake Baffling Box	1	84135	4CH-14404-00	4CH-14404-00
2	Bolt M6X15	2	10010	GB/T16674.1	B11A30615R
3	Clamp (Φ40-Φ60)	4	84063	LH800U-D.15.3	4CA-14401-00
4	Inlet Hose	1	84137	4CH-14406-00	4CH-14406-00
5	Air Cleaner Components (With Filter Element)	1	84064	LH800U-D.15.1	4CA-14410-00
6	Clamp	1	84065	LH800U-D.15-1	4CA-14411-00
7	Nut M8	2	10880	GB/T6187.1	B51B30800R
8	Bolt M8X30	2	10078	GB/T16674.1	B11A30830R
9	Outlet Hose	1	84136	4CH-14405-00	4CH-14405-00
10	Air Intake Assy	1	84134	4CH-14400-00	4CH-14400-00

EXHAUST ASSEMBLY EXPLODED VIEW



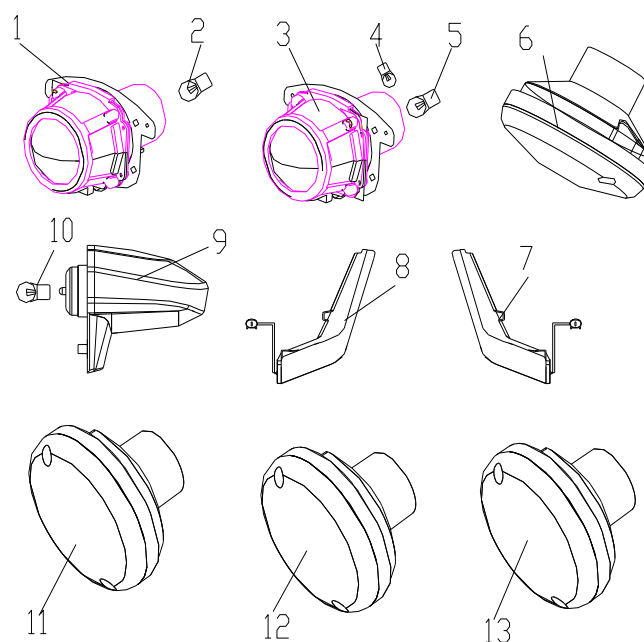
REF. No.	DESCRIPTION	QTY	PART NUMBER	SPEC 1	PLM SPEC 2
1	Muffler	1	84141	4CH-14703-01	4CH-14703-01
2	Spherical Washer	1	84066	LH800U-D.14.4	4CA-14704-00
3	Spring	2	23408	LH260ATV.15-1	4AL-14601-00
4	Exhaust Pipe	1	84139	4CH-14701-00	4CH-14701-00
5	Bolt M8X22	4	10425	GB/T16674.1	B11A30822R
6	Spring Washer 8	4	10106	GB/T93	B653208000
7	Washer 8	4	10068	GB/T97.1	B631308000
8	Gasket, Muffler	1	84140	4CH-14702-00	4CH-14702-00
9	Bolt M10X1.25X62	2	10120	GB/T16674.2	B11A31062A
10	Washer 10 (11x30x2.5)	2	10117	GB/T96.2-C级	B622310000
11	Silence Bumper Components	2	23415	LH260ATV.15.2	4AL-14702-00
12	Nut M10X1.25	2	10823	GB/T6187.2	B52L01000A
13	Exhaust Assy	1	84138	4CH-14700-00	4CH-14700-00

COOLING SYSTEM EXPLODED VIEW



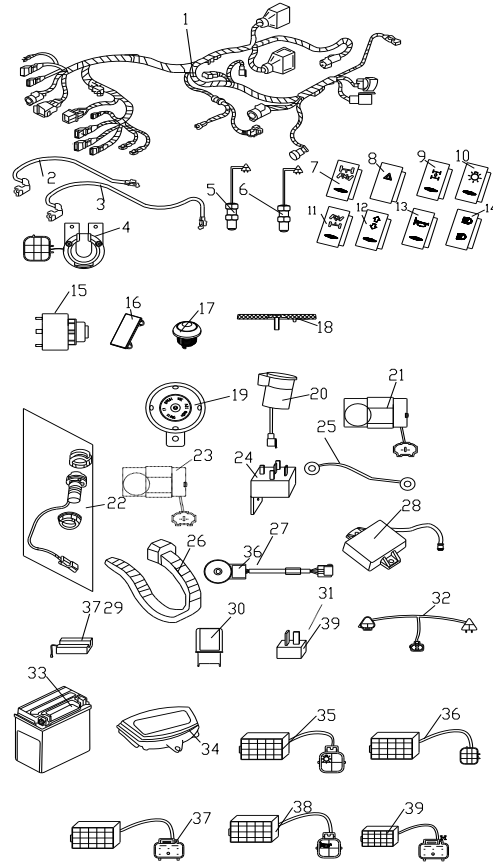
REF. No.	DESCRIPTION	QTY	PART NUMBER	SPEC 1	PLM SPEC 2
1	Radiator	1	84129	4CH-12409-00	4CH-12409-00
2	Safety Valve	1	22907	170M.11.1.1	1BB-12462-00
3	Spong 1	2	73395	LH800U-D.16.1-1	4CA-21812-00
4	Clip φ9.8	2	71952	LH125T-12.11-9	3AV-23411-00
5	Pipe,Safety Valve	1	84117	4CF-12419-00	4CF-12419-00
6	O-Ring 13.2X1.8	1	10737	GB/T3452.1	B921321801
7	Temperature Thermo Switch	1	84062	LH800U-D.16.7	4CA-12486-00
8	Cover,Recovery Tank	1	70338	LH520ATV.16.2.1	4AB-21820-00
9	Pipe,Recovery Tank	1	70342	LH520ATV.16.2-3	4AB-21812-00
10	Clip φ8.6	1	22924	170M.11.6-5	1BB-12588-00
11	Recovery Tank	1	70340	LH520ATV.16.2-1	4AB-21810-00
12	Spong 2	1	84086	LH800U-D.16.1-3	4CA-21813-00
13	Clamp 25/40	10	84085	LH800U-D.16.4	4CA-21811-00
14	Outlet Hose . Radiator	1	84125	4CH-12403-00	4CH-12403-00
15	Bolt M6X16	13	10183	GB/T16674.1	B11A30616R
16	R-Clip . Aluminum Pipe 1&2 Fitting	4	84133	4CH-12416-00	4CH-12416-00
17	Aluminum Pipe 1	1	84128	4CH-12406-00	4CH-12406-00
18	Bolt M8X20	1	10081	GB/T16674.1	B11A30820R
19	R-Clip . Engine Inlet Hose Fitting	1	84131	4CH-12411-00	4CH-12411-00
20	Engine Inlet Hose	1	84123	4CH-12401-00	4CH-12401-00
21	Engine Outlet Hose	1	84124	4CH-12402-00	4CH-12402-00
22	Washer	1	1309254	153FM.11-1	1AC-11350-00
23	Overflow Pipe	1	84130	4CH-12410-00	4CH-12410-00
24	R-Clip . Engine Outlet Hose Fitting	1	84132	4CH-12414-00	4CH-12414-00
25	Aluminum Pipe 2	1	84127	4CH-12405-00	4CH-12405-00
26	Bolt M6X20	4	10110	GB/T16674.1	B11A30620R
27	Plastic Flexible Installation Nut	4	70960	LH300CUV.2-57	4CC-21811-00
28	Fan Moter	1	84087	LH800U-D.16.2	4CA-21831-00
29	Fan Moter Shroud	1	84118	4CF-12421-00	4CF-12421-00
30	Inlet Hose . Radiator	1	84126	4CH-12404-00	4CH-12404-00
31	Cooling System Assy	1	84122	4CH-12400-00	4CH-12400-00

LAMP



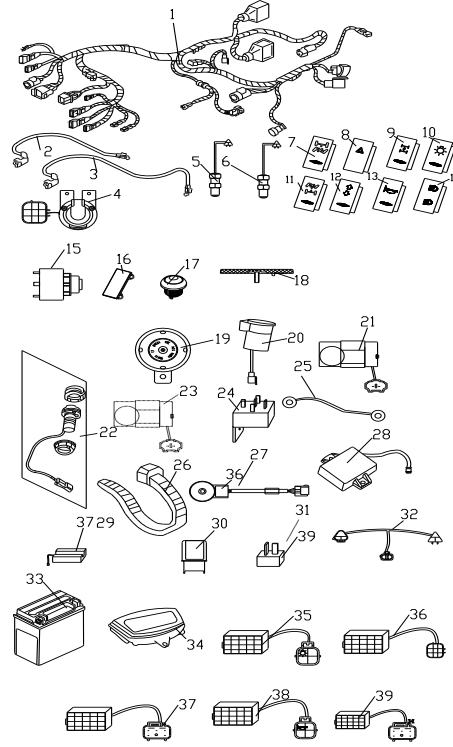
REF. No.	DESCRIPTION	QTY	PART NUMBER	SPEC 1	PLM SPEC 2
1	DIPPED HEADLIGHT	2	84233		4TA-84300-00
2	BULB 12V 55W/55W HS	2	84225	12V 55W/55W HS	4CH-84306-00
3	HIGH BEAM	2	84224	LH800u-2d.23.2	4CH-84301-00
4	BULB 12V 55W/55W HS	2	84225	12V 55W/55W HS	4CH-84306-00
5	BULB 5W 12V	2	71928	12V 5W	4AB-84701-00
6	TURN INDICATE LIGHT,FR	2	84061		4AS-83300-00
7	LED DECORATIVE LIGHT,L,FR	1	73317	LH700U.23.10	4CF-82514-00
8	LED DECORATIVE LIGHT,R,FR	1	73318	LH700U.23.11	4CF-82515-00
9	LENS,LICENSE LIGHT	1	84114	LH800U-D.23.11	4CA-84745-00
10	BULB 5W 12V	2	71928	12V 5W	4AB-84701-00
11	TURN INDICATE LIGHT,L,RR	1	73324	LH700U.23.14	4CF-82521-00
12	TURN INDICATE LIGHT,R,RR	1	73319	LH700U.23.15	4CF-82516-00
13	Tail lamp	2	73320	LH700U.23.16	4CF-82517-00

ELECTRICAL SYSTEM



REF. No.	DESCRIPTION	QTY	PART NUMBER	SPEC 1	PLM SPEC 2
1	WIRING HARNESS (EFI FOR EUROPE)	1	84219	4CH-82500-00	4CH-82500-00
2	STARTER POSITIVE WIRE 1	1	73311	LH800u-2d.23.1.3	4CF-82500-20
3	STARTER POSITIVE WIRE 2	1	84220	LH800u-2d.23.1.3	4CH-82500-30
4	trailer cable socket	1	83363	LH1620.48.21	4TA-87226-00
5	SPEED SENSOR 2	1	84223	LH800u-2d.23.3	4CH-83700-00
6	SPEED SENSOR	1	73435	LH700U.23.5	4CF-83700-00
7	rear Differential Lock Switch	1	73306	LH700U-D.23.27	4CF-82127-00
8	EMERGENCY SWITCH	1	73075	LH800U-D.23.5	4CA-82150-00
9	2WD/4WD SWITCH	1	73078	LH800U-D.23.7	4CA-82529-00
10	LIGHT SWITCH	1	73081	LH800U-D.23.4	4CA-82532-00
11	FRONT Differential Lock Switch	1	73305	LH700U-D.23.26	4CF-82126-00
12	turning lights switch	1	73079	LH800U-D.23.35	4CA-82530-00
13	HORN SWITCH	1	73076	LH800U-D.23.18	4CA-82527-00
14	HI/ LO BEAM SWITCH	1	73436	LH700U.23.23	4CF-82103-00
15	POWER DOOR LOCKS	1	83375	LH1620.48.6	4TA-82501-00
16	SWITCH COVER		73048	LH800U-D.2-9	4CA-22417-00
17	button	2	73329	LH700U.23.19-1	4CF-83501-00
18	REAR REFLECTOR	2	40319	LH150T.2.3	3AV-85101-00
19	HORN	1	70404	LH520ATV.23.13	4AB-83300-00
20	FLASHER RELAY ASSY	1	84221	LH800U-2D.23.4	4CH-83350-00
21	REVERSE GEAR WARNING	1	71976	LH800U-D.23.24	4CA-83351-00
22	ACCESSORY SOCKET ASSY	1	70400	LH520ATV.23.12	4AB-82101-00
23	rear Differential Lock WARNING	1	73327	LH700U.23.6	4CF-83302-00
24	fan realy	1	73442	LH800U-D.23.29	4CA-12406-00
25	Start motor ground wire	1	84217	LH800u-2d.23.7	4CH-82100-00
26	TIE	20	25530	ZD150X3.5	4AA-819A1-00

ELECTRICAL SYSTEM



REF. No.	DESCRIPTION	QTY	PART NUMBER	SPEC 1	PLM SPEC 2
27	FILE DISPLAY SWITCH	1	71628	4AA-83901-00	4AA-83901-00
28	ELECTROMAGNETIC VALVE SWITCH	3	71934	LH800U-D.23.21	4CA-82660-01
29	Dual function switch	1	73077	LH800U-D.23.16	4CA-82528-00
30	RELAY	6	50280	LH50QT-2.13.7	3AG-81900-00
31	DIODE PROTECTOR	2	84232		4TA-82610-00
32	SENSOR CABLE	1	73437	LH700U.23.20	4CF-83701-00
33	BATTERY (45AH)	1	84113	45AH	4CA-82110-00
34	LCD METER	1	84222	4CH-83500-00	4CH-83500-00
35	LIGHT SWITCH transition wire	1	73304	LH700U.23.21	4CF-82101-00
36	EMERGENCY SWITCH transition wire	1	73438	LH700U.23.22	4CF-82102-00
37	turning lights switch transition wire	1	73439	LH700U.23.30	4CF-82107-00
38	HORN SWITCH transition wire	1	73440	LH700U.23.29	4CF-82106-00
39	2WD/4WD SWITCH transition wire	1	84218	LH800u-2d.23.6	4CH-82101-00