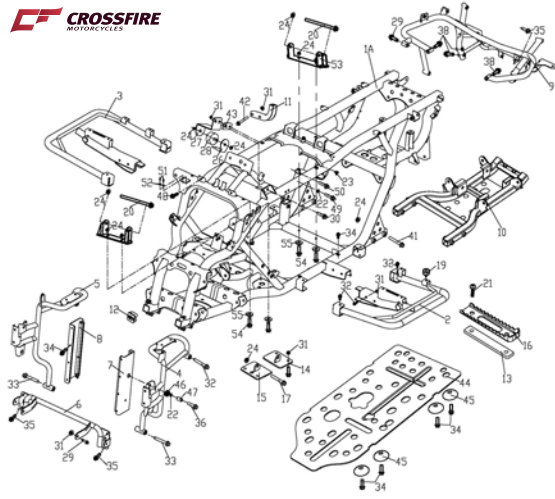


## Avenger 700 Parts Catalogue

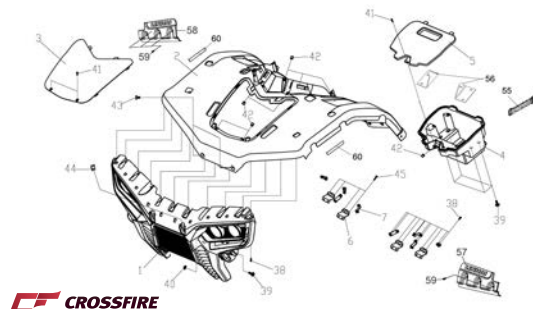
### FRAME



REF. No.	DESCRIPTION	QTY	SPEC 1	CODE	SPEC 2
1	FRAME(NEW MODEL)	1	4AA-21110-01	71301a	
2	LEFT PEDAL	1	4AA-211A6-00	71302	
3	RIGHT PEDAL	1	4AA-211A7-00	71303	
4	HOLDER,L.FR	1	4AA-21101-00	71304	
5	HOLDER,R.FR	1	4AA-2113N-00	71305	
6	STIFFENERS	1	4AA-21105-00	71306	
7	WATER TANK LEFT SUPPORT PLATE	1	4AA-21115-00	71307	
8	WATER TANK RIGHT SUPPORT PLATE	1	4AA-21116-00	71308	
9	HOLDER,RR 1	1	4AA-21103-00	71309	
10	HOLDER,RR 2	1	4AA-21104-00	71310	
11	BRACKET,HEADLIGHT	2	4AA-21109-00	71311	
12	RUBBER COVER	4	4AB-21206-00	70287	LH520ATV.1-2
13	RUBBER WASHER	4	4AB-21207-00	70300	LH520ATV.1-3
14	REAR, HOLDER,FRONT GEAR-BOX	1	4AA-2110B-00	71381	
15	FRONT, HOLDER,FRONT GEAR-BOX	1	4AA-2110A-00	71380	
16	STEP	4	4AB-21208-00	70336	LH520ATV.1-6
17	BOLT M10X1.25X108	2	B12C310L8A	70007	GB/T16674.2
18	BOLT M10X1.25X25	4	B11L31025A	10500	GB/T16674.1
19	RUBBER PAD	2	4AL-27080-00	20316	LH260ATV.1.15
20	BOLT M10X220X1.25	2	B11D310T0A	10718	GB/T16674.1
21	BOLT M6X12	8	B23L30612R	71975	LH800U-D.2-22A
22	WASHER 6	3	B611006020	10011	GB/T96
23	COLLAR,MUFFLER	2	4AB-21210-00	70356	LH520ATV.1-8
24	NUT M10X1.25	16	B52L31000A	10015A	GB/T6187
26	ENGINE MOUNTING BRACKET 1	1	4AA-21112-00	71382	
27	ENGINE MOUNTING BRACKET 2	1	4AA-21113-00	71383	
28	CUSHION,ENGINE MOUNTING	1	4AA-21114-00	71384	
29	BOLT M8X30	3	B11L30830R	10078	GB/T16674.1
30	BOLT M8X20	2	B11L30820R	10081	GB/T16674.1
31	NUT M8	19	B51L30800R	10079	GB/T6187
32	BOLT M8X55	10	B11L30855R	10511	GB/T16674.1
33	BOLT M8X65	2	B11L30865R	10419	GB/T16674.1
34	BOLT M6X16	27	B11L30616R	10183B	GB/T16674.1
35	BOLT M8X16	6	B11L30816R	10168	GB/T16674.1
36	BOLT M6X30	4	B11L30630R	10182B	GB/T16674.1
38	BOLT M8X45	6	B11L30845R	10055	GB/T16674.1
41	BOLT M10X1.25X108	4	B12C310L8A	70007	GB/T16674.2
42	BOLT M8X38	4	B11L30838R	10719	GB/T16674.1
43	RUBBER CUSHION	1	4AA-21214-00	71387	
44	CHASSIS SHIELD	1	4AA-28390-01	71550	
45	INSTALLATION GASKET	7	4AL-21290-00	20331	LH260ATV.2-27
46	RUBBER 1	2	1BB-12463-00	22917	170M.11-5
47	COLLAR	2	1BB-12464-00	22918	170M.11-6
48	BOLT M6X12	1	B11L30612R	10140	GB/T16674.1
49	BOLT M6X40	1	B11L30640R	10177A	GB/T16674.1
50	BOLT M6X35	2	B11L30635R	10186B	GB/T16674.1
51	SCREW M4X22	2	B2BL00422R	10758	GB/T823
52	WASHER 4	2	B671304000	10172	GB/T848
53	REAR ENGINE MOUNTING BRACKET	1	4AA-211B1-00	71386	
54	BOLT M10X1.25X48	4	B12D31048A	10721	GB/T16674.1
55	WASHER 10	4	B631210000	10019	GB/T97.1
56	FRONT ENGINE MOUNTING BRACKET	1	4AA-211B0-00	71385	

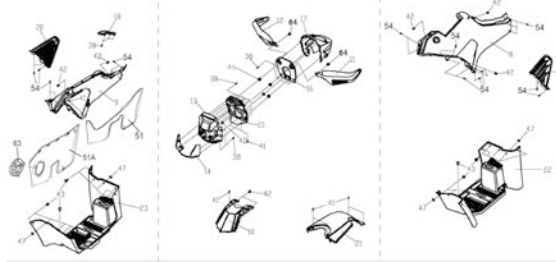
## FRONT FENDER

FRONT



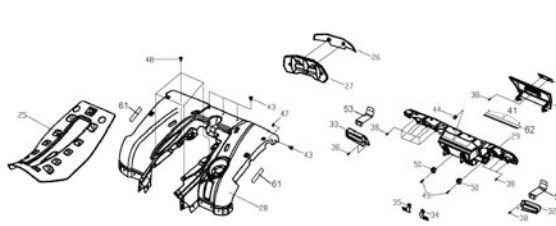
**CROSSFIRE**  
MOTORCYCLES

CENTER



**CROSSFIRE**  
MOTORCYCLES

REAR

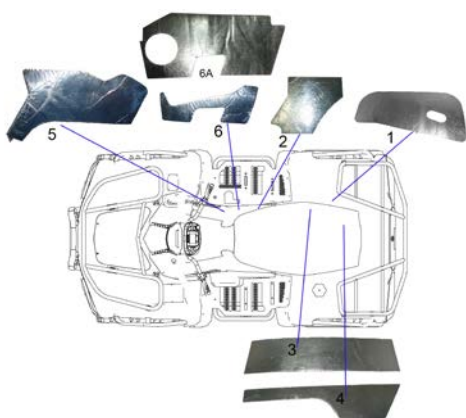


**CROSSFIRE**  
MOTORCYCLES

REF. No.	DESCRIPTION	QTY	SPEC 1	CODE	SPEC 2
1	COVER,HEADLIGHT	1	4AA-28356-00	71541	
2	FENDER,FR	1	4AA-28351-00	71540	
3	FRONT COVER	1	4AA-28310-00	71525	
4	BATTERY FENDER	1	4AA-2847H-00	71581	
5	BATTERY FENDER COVER	1	4AA-2848H-00	71582	
6	BRACKET 1,HEADLIGHT UNIT	1	4AA-28349-00	71538	
7	BRACKET 2,HEADLIGHT UNIT	1	4AA-28350-00	71539	
8	COVER,L.FUEL TANK SIDE	1	4AA-21720-00	71397	
9	COVER,R.FUEL TANK SIDE	1	4AA-21710-00	71394	
10	COVER FR. AIR CLEANER	1	4AA-2831A-00	71529	
11	HANDLEBAR COVER LEFT	1	4AA-28365-00	71543	
12	HANDLEBAR COVER RIGHT	1	4AA-28366-00	71544	
13	COVER,METER, FR	1	4AA-28321-00	71531	
14	MUDGUARD,METER, FR	1	4AA-28346-00	71535	
15	BRACKET, METER, FR	1	4AA-28357-00	71542	
16	BRACKET, METER, RR	1	4AA-28376-00	71547	
17	METER,RR	1	4AA-28375-00	71546	
18	COVER,SHIFT CONTROL	1	4AA-28380-00	71548	
19	FENDER,L.FUEL TANK SIDE	1	4AA-2172H-00	71398	
20	FENDER,R.FUEL TANK SIDE	1	4AA-2171H-00	71396	
21	COVER RR. AIR CLEANER	1	4AA-2832A-00	71532	
22	MUDGUARD,L.CENTER	1	4AA-27481-00	71518	
23	MUDGUARD,R.CENTER	1	4AA-27482-00	71519	
25	SEAT PLATE	1	4AA-24755-00	71435	
26	BACK PLATE 1	1	4AA-2474A-00	71434	
27	BACK PLATE 2	1	4AA-2475A-00	71436	
28	FENDER,RR	1	4AA-21600-00	71388	
29	PROTECTOR,MUFFTER	1	4AA-28336-00	71533	
29A	PROTECTOR,MUFFTER (USED FOR FRANCE)	1	4AA-21660-10	71392	
30	END COVER	1	4AA-21660-00	71391	
30A	END COVER (USED FOR FRANCE)	1	4AA-28336-10	71534	
31	HANDLE, END COVER	1	4AA-21661-00	71393	
32	DECORATIVE RING LEFT (USED FOR EUROPE)	1	4AA-28347-00	71536	
33	DECORATIVE RING RIGHT (USED FOR EUROPE)	1	4AA-28348-00	71537	
34	LEFT LICENSE HOLDER	1	4AA-28318-00	71527	
35	RJGHT LICENSE HOLDER	1	4AA-28317-00	71526	
38	SCREW ST4.2X13	77	B21L30413R	10178B	GB/T845
39	BOLT M6X20	6	B11L30620R	10110	GB/T16674.1
40	NUT M6	2	B53L30600R	10103	GB/T6177
41	SCREW ST4.8X16	25	B21L30516R	10009	GB/T845
42	SPRING NUT	39	90183-05001	22346	LYM100T.6-2
43	SCREW M6X12	30	B23L30612R	71975	LH800U-D.2-22A
44	SPRING NUT	5	4CC-21811-00	70960	LH300CUV.2-57
45	SCREW M4X16	8	B23L30416R	10753	GB/T818
46	MUDGUARD	4	4AB-2830D-00	70449	LH520ATV.2-39
47	NUT M6	22	B51L30600R	10004	GB/T6187
48	BOLT M6X12	4	B1ML30612R	10738	GB/T5781
49	SCREW M5X30	2	B23L30530R	10270B	GB/T818
50	BRIQUETTING, TOOL BOX	2	4AM-2830E-00	70990	LH520ATV-B.2-32
51	RIGHT FENDER SIDE	1	4AA-27483-00	71520	
51A	RIGHT FENDER SIDE 2	1	4AA-27483-10	71521	
52	LEFT SMALL BRACKET	1	4AA-28319-00	71528	
53	RIGHT SMALL BRACKET	1	4AA-28320-00	71530	
54	BOLT M5X12	14	B2EL20512R	10743	GB/T6560
55	BATTERY RIBBON	1	4AB-82130-00	70412	LH520ATV.23.24
56	FIXING BOARD FOR BATTERY RIBBON	2	4AA-87201-00	71644	
57	MUDGUARD,L.FR.A ARM	1	4AB-2830A-00	70976	LH520ATV.2-86
57	MUDGUARD,R,RR.A ARM	1	4AB-2830A-00	70976	
58	MUDGUARD,R.FR.A ARM	1	4AB-2830B-00	70977	LH520ATV.2-87
58	MUDGUARD,L,RR.A ARM	1	4AB-2830B-00	70977	
59	BOLT M5x16	12	B23L30516R	10201	GB/T818
60	Reflected strip(yellow)	2	4CC-85101-00	71959	LH300CUV.23.14a
61	Reflected strip(red)	2	4CC-85102-00	71960	LH300CUV.23.15a
62	board, tool box	1	4AA-28392-00	71551	
63	FILLER CAP,R, FENDER SIDE	1	4AA-27485-00	71523	
64	SCREW M5X12	2	4AA-28370-00	71545	

## ADIABATIC PELLICLE

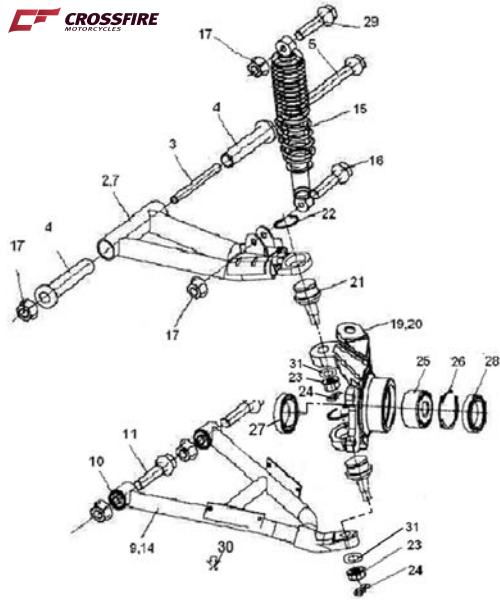
**CROSSFIRE**  
MOTORCYCLES



REF. No.	DESCRIPTION	QTY	SPEC 1	CODE	SPEC 2
1	ADIABATIC PELLICLE 1,R.REAR FENDER	1	4AA-2161A-00	71389	
2	ADIABATIC PELLICLE 2,R.REAR FENDER	1	4AA-2161B-00	71390	
3	ADIABATIC PELLICLE ,UP, FUEL TANK	1	4AA-24144-00	71423	
4	ADIABATIC PELLICLE , DOWN, FUEL TANK	1	4AA-24145-00	71424	
5	ADIABATIC PELLICLE 1 ,R. FENDER SIDE	1	4AA-2171A-00	71395	
6	ADIABATIC PELLICLE 2 ,R. FENDER SIDE	1	4AA-27484-00	71522	
6A	ADIABATIC PELLICLE 2 ,R. FENDER SIDE, 2	1	4AA-27486-00	71524	

## FRONT ARM

**CROSSFIRE**  
MOTORCYCLES

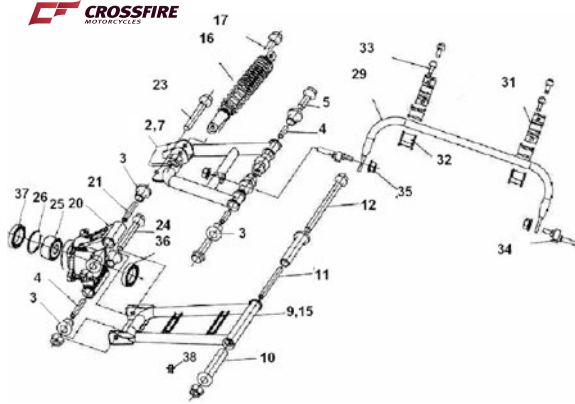


REF. No.	DESCRIPTION	QTY	SPEC 1	CODE	SPEC 2
2	ARM SET,L.FR	1	4AA-23102-00	71401	
3	COLLAR, ARM	2	4AA-23111-00	71410	
4	RUBBER BUSHION 2, LEFT ARM	4	4AB-23112-00	70665	LH520ATV.3.1-2
5	BOLT M10X1.25X169	2	B12D310P9R	70666	LH520ATV.3.1-3
7	ARM SET,R.FR	1	4AA-23101-00	71400	
9	ARM,L.FR	1	4AA-23103-00	71402	
10	CUSHION φ28X44.5X2.5	4	4AB-23140-00	70669	LH520ATV.3.3.2
11	BOLT M10X1.25X65	4	B12D31065A	70670	LH520ATV.3.3-1
14	ARM,R.FR	1	4AA-23106-00	71406	
15	SHOCK ABSORBER	2	4AA-23108-00	71409	
16	BOLT M10X1.25X48	4	B12D31048A	10721	GB/T16674.1
17	NUT M10X1.25	10	B52L31000A	10015A	GB/T6187.2
19	KNUCKLE,L.FR (FOR EUROPE)	1	4AA-23105-00	71404	
	KNUCKLE,L.FR (FOR USSA)	1	4AA-23105-10	71405	
20	KNUCKLE,R.FR (FOR EUROPE)	1	4AA-23107-00	71407	
	KNUCKLE,R.FR (FOR USA)	1	4AA-23107-10	71408	
21	JOINT A, ARM BALL	4	4AA-23104-00	71403	
22	CIRCLIP 34	4	B753334020	70046	GB/T894.1
23	NUT, CASTLE	4	90171-12001	70679	LH520ATV.3.6-4
24	PIN 3.2X22	4	B377203220	10772	GB/T91
25	BEARING AU0712	2	4AB-2315N-00	70674	LH520ATV.3.6.2
26	CIRCLIP 58	2	B723058000	70055	GB893.1
27	SEAL 61.5 43 11	2	BYF4362112	70675	LH520ATV.3.6.3
28	SEAL 58 41.2 11	2	BYF4258111	70676	LH520ATV.3.6.4
29	BOLT M10X1.25X50	2	B12D31050A	70011	GB/T16674.1
30	CLAMP	4	4CA-23190-00	71977	LH800U-D.24-4
31	WASHER 14	4	B662314030	10773	GB/T95

## REAR ARM

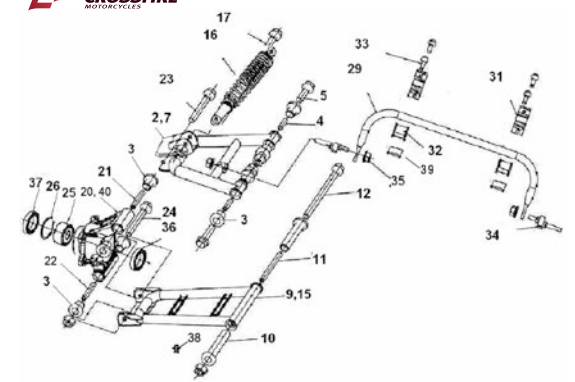
OLD MODEL

**CROSSFIRE**  
MOTORCYCLES



NEW MODEL

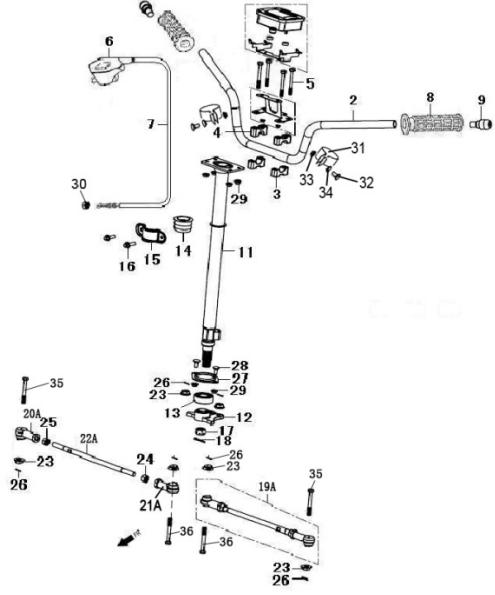
**CROSSFIRE**  
MOTORCYCLES



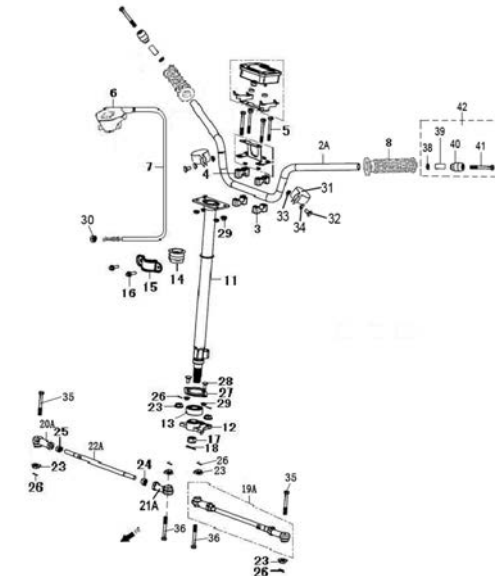
REF. No.	DESCRIPTION	QTY	SPEC 1	CODE	SPEC 2
2	ARM ,L.RR	1	4AB-22102-00	70681	LH520ATV.4.1.1
3	RUBBER BUSH 1, ARM ,R.RR	16	4AB-22112-00	70682	LH520ATV.4.1-1
4	COLLAR	4	4AB-22111-00	70683	LH520ATV.4.1-2
5	BOLT M10X1.25X80	4	B12D31080A	70684	LH520ATV.4.1-3
7	ARM ,R.RR	1	4AB-22101-00	70685	LH520ATV.4.2.1
9	ARM SET,L.RR	1	4AB-22103-00	70686	LH520ATV.4.3.1
10	RUBBER BUSH 2, ARM ,R.RR	4	4AB-23112-00	70665	LH520ATV.3.1-2
11	COLLAR,ARM	2	4AB-22113-00	70687	LH520ATV.4.3-2
12	BOLT M10M1.25M230	2	B12D310S0A	70688	LH520ATV.4.3-3
15	ARM SET,R.RR	1	4AB-22106-00	70689	LH520ATV.4.4.1
16	SHOCK ABSORBER ,RR	2	4AA-22200-00	71399	
17	BOLT M10X1.25X52	4	B12D31052A	70012	GB/T16674.1
20	KNUCKLE,R.RR	1	4AB-22154-00	27334	LH520ATV.4.6-2
20	KNUCKLE, L.RR (CAST STEEL)	1	4AC-22132-00	27492	LH400ATV-2.4.6-2
21	COLLAR,RR.KNUCKLE,(UPPER)	2	4AB-22152-00	70692	LH520ATV.4.6-3
22	COLLAR,RR.KNUCKLE,(LOWER)	2	4AB-22153-00	70693	LH520ATV.4.6-4
23	BOLT,KNUCKLE,(UPPER)	2	B11D310U5A	70694	LH520ATV.4.6-5
24	BOLT,KNUCKLE,(LOWER)	2	B11D310W5A	70695	LH520ATV.4.6-6
25	BEARING AU0712	2	4AB-2315N-00	70674	LH520ATV.3.6.2
26	CIRCLIP 58	2	B723058000	70055	GB893.1
29	SPRING,RR.STABILIZER	1	4AB-22170-00	70696A	LH520ATV.4.7.1
29	SPRING,RR.STABILIZER (NEW MODEL)	1	4AB-22170-01	72016	
31	HOLDER,STABILIZER BUSH	2	4AB-22173-00	70697	LH520ATV.4.7-1
31	HOLDER,STABILIZER BUSH (NEW MODEL)	2	4CD-2386H-00	72017	
32	BUSH,RR.STABILIZER	2	4AB-22174-00	70698	LH520ATV.4.7-2
32	BUSH,RR.STABILIZER (NEW MODEL)	2	4CD-2386G-00	72018	
33	BOLT M8X20	4	B11L30820R	10081	GB/T16674.1
34	LINK,RR. STABILIZER	2	4AB-22175-00	70699	LH520ATV.4.8
35	NUT M10X1.25	18	B51L31000R	10015C	GB/T6187.1
36	SEAL 61.5 43 11	2	BYF4362112	70675	LH520ATV.3.6.3
37	SEAL 58 41.2 11	2	BYF4258111	70676	LH520ATV.3.6.4
38	CLAMP	4	4CA-23190-00	71977	LH800U-D.24-4
39	BRACKET	2	4AV-22175-00	72019	
40	KNUCKLE,RR	1	4AB-22151-00	70691	LH520ATV.4.6-1
40	KNUCKLE, R.RR (CAST STEEL)	1	4AC-22131-00	27493	LH400ATV-2.4.6-1

## STEERING SHAFT

**CROSSFIRE**  
MOTORCYCLES



2015 NEW MODEL

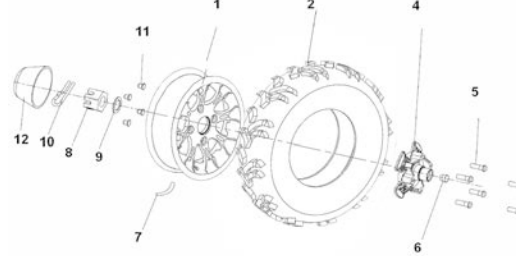


**CROSSFIRE**  
MOTORCYCLES

REF. No.	DESCRIPTION	QTY	SPEC 1	CODE	SPEC 2
2	HANDLEBAR	1	4AB-26111-00	71007	LH520ATV.5.1.1e
2A	HANDLEBAR (NEW MODEL)(MATCH WITH NEW GUARD,HANDLEBAR END ASSY.)	1	4AB-26111-20	71007a	
3	UP HOLDER,HANDLE	2	4AB-26112-00	70703	LH520ATV.5.1-1
4	HOLDER,HANDLE	2	4AL-26113-00	20112a	LH260ATV.5-2
5	BOLT M8X72	4	B15L30872R	10531	GB/T5782
6	THROTTLE CONTROL	1	4AA-26249-00	71513	
7	THROTTLE CABLE	1	4AA-26250-00	71514	
8	GRIP	2	3AV-26201-00	71953	LH150T.11-5
9	GUARD,HANDLEBAR END	2	3AV-26202-00	30119	LH150T.11-1
11	SHAFT,STEERING	1	4AA-26213-00	71512	
12	ARM,STEERING	1	4AB-23301-00	70705	LH520ATV.5.2-1
13	BEARING	1	4AB-23302-00	21911	LH260ATV.1.20
14	BUSH,STEERING	1	4AB-23303-00	70706	LH520ATV.5.2-2
15	HOLDER,STEERING SHAFT	1	4AB-23304-00	70707	LH520ATV.5.2-3
16	BOLT M8X30	2	B11L30830R	10078	GB/T16674.1
17	NUT M16X1.5	1	4AL-23305-00	20811A	LH260ATV.6-1a
18	PIN 3X30	1	B377203300	70050	GB/T91
19A	TIE ROD ASSY (NEW MODEL)	2	4AA-26180-00	71505	
19A	TIE ROD ASSY (CCVI) -2015 new model	2	4AA-26180-10	71505a	
20A	END, TIE ROD (NEW MODEL)	2	4AA-26182-01	71509	
20A	END, TIE ROD (CCVI)-2015 new model	2	4AA-26182-10	71509a	
21A	END,R, TIE ROD (NEW MODEL)	2	4AB-26187-00	72011	
21A	END,R, TIE ROD (CCVI)-2015 new model	2	4AB-26187-10	72011a	
22A	ROD,TIE (NEW MODEL)	2	4AA-26181-00	71507	
22	ROD,TIE (CCVI)-2015 new model	2	4AA-26181-20	71507a	
23	NUT ,SELF LOCK M12X1.25	4	B52L31200R	10136	GB/T6187
24	NUT M12X1.25	2	B5AL31200A	10017	GB/T6172
25	NUT,HEX	2	4AL-26184-00	20506	LH260ATV.1.7.2-5
26	PIN 1.5X20	4	B377203200	10021	GB/T91
27	BEARING CAP	1	4AL-26185-00	21910	LH260ATV.1.7-4
28	BOLT	2	4AB-26186-00	71648	
29	NUT M8	6	B51L30800R	10079	GB/T6187
30	JOINT ACCELERATOR CABLE	1	4AA-26251-00	71515	
31	HANDLE COVER INSTALLATION BAND	2	4AA-26282-00	71516	
32	SCREW M5X16	2	B23L30516R	10201	GB/T818
34	WASHER 5	2	B631305000	10002	GB/T97
35	BOLT 1, TIE ROD	2	4AA-26183-00	71510	
36	BOLT 2, TIE ROD	2	4AA-26184-00	71511	
37	WASHER 12	8	B632212030	10032	GB/T97
38	NUT M6	2	B53F20600R	10913	GB/T 6177.1
39	TENSIONING BLOCK	2	4AA-26204-00	72035	
40	BALANCE WEIGHT	2	4AA-26203-00	72036	
41	SCREW M6X70	2	B24B30670R	10940	GB/T 819
42	NEW GUARD,HANDLEBAR END ASSY. (MATCH WITH NEW HANDLEBAR)	2	4AA-26202-00	72037	

## FRONT WHEEL

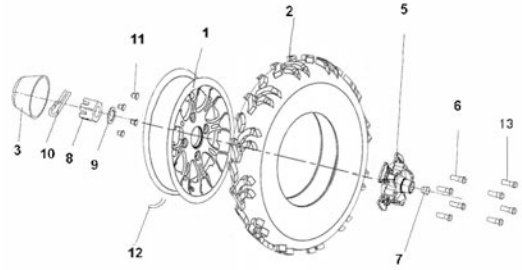
**CROSSFIRE**  
MOTORCYCLES



REF. No.	DESCRIPTION	QTY	SPEC 1	CODE	SPEC 2
1	WHEEL SUB-ASSY, FR	2	4AA-25181-00	71450	
	WHEEL SUB-ASSY, FR (USED FOR FRANCE)	2	4AC-25112-01	71450F	LH400ATV.6.2.1C
2	TIRE, FR (26X9-12) (FOR EUROPE)	2	4AA-25110-00	71444	
	TIRE, FR (25X8-12) (FOR EUROPE) (MARK IN "WANDA")	2	4TC-25111-00	71444W	
	TIRE, FR (25X8-12) (FOR EUROPE) (MARK IN "SUN.F")	2	4TC-25112-00	71444S	
2	TIRE, FR (25X8-12 43J) (FOR EUROPE) (MARK IN "WANDA") (E4-75R-0006366)	2	4AA-25111-00	72075	
2	TIRE, FR (26X9-12) (FOR USA)	2	4AA-25110-10	71445	
4	HUB, FR WHEEL (FOR EUROPE)	2	4AB-25161-00	70713	LH520ATV.6.2-1a
4	HUB, FR WHEEL(FOR USA)	2	4AB-25161-10	71010	LH520ATV.6.2-1
5	BOLT M12X1.25	16	4AB-25162-00	70714	LH520ATV.6.2-2
6	SEAL	2	4AB-25163-00	70718	LH520ATV.7.2.1
7	VALVE, RIM (TR412)	2	B972000001	20807a	GB/T12836.1
8	BOLT SLOTTED	4	4AB-25167-00	70721	LH520ATV.7-1
9	WASHER	4	4AB-25368-00	70722	LH520ATV.7-2
10	PIN 4X32	4	B377204320	26267	GB/T91
11	NUT, WHEEL	16	4AU-25365-00	70087	LH260ATV-S.7-7a
12	CAP, WHEEL CENTER	4	4AA-2512A-00	71446	
13	BOLT	8	4AB-25166-00	70895	LH520ATV.7.2-2

## REAR WHEEL

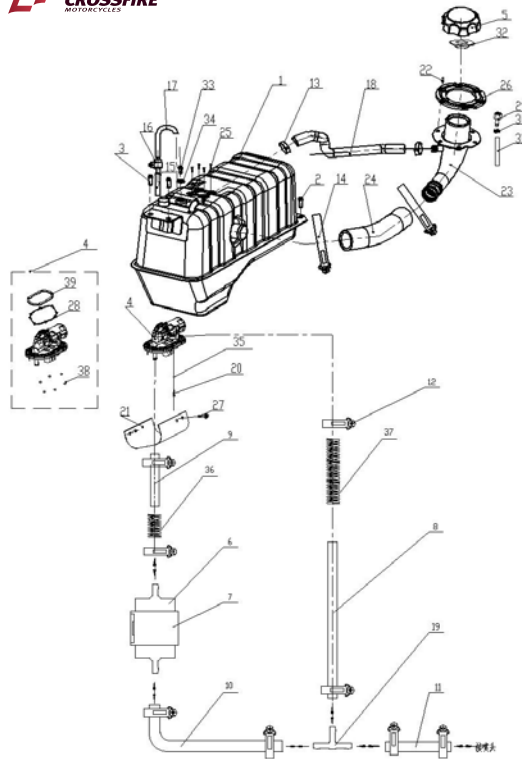
**CROSSFIRE**  
MOTORCYCLES



REF. No.	DESCRIPTION	QTY	SPEC 1	CODE	SPEC 2
1	WHEEL SUB-ASSY, RR	2	4AM-25381-00	72007	LH520ATV-B.7.1B
	WHEEL SUB-ASSY, RR (USED FOR FRANCE)	2	4AM-25301-01	72007F	LH520ATV-B.7.1C
2	TIRE, RR (26X10-12) (FOR EUROPE)	2	4AA-25310-00	71486	
	TIRE, RR (25X10-12) (FOR EUROPE) (MARK IN "WANDA")	2	4TC-25311-00	71486W	
	TIRE, RR (25X10-12) (FOR EUROPE) (MARK IN "SUN.F")	2	4TC-25312-00	71486S	
2	TIRE, RR (25X10-12 50L) (FOR EUROPE) (MARK IN "WANDA") (E4-75R-0006367)	2	4AA-25311-00	72076	
	TIRE, RR (26X10-12) (FOR USA)	2	4AA-25310-10	71487	
3	CAP, WHEEL CENTER	4	4AA-2512A-00	71446	
5	HUB, RR WHEEL	2	4AB-25361-00	70719	LH520ATV.7.2-1
6	BOLT M12X1.25	16	4AB-25162-00	70714	LH520ATV.6.2-2
7	SEAL	4	4AB-25163-00	70718	LH520ATV.7.2.1
8	BOLT SLOTTED	2	4AB-25167-00	70721	LH520ATV.7-1
9	WASHER	4	4AB-25368-00	70722	LH520ATV.7-2
10	PIN 4X32	4	B377204320	26267	GB/T91
11	NUT, WHEEL	16	4AU-25365-00	70087	LH260ATV-S.7-7a
12	VALVE, RIM (TR412)	4	B972000001	20807a	GB/T12836.1
13	BOLT	8	4AB-25166-00	70895	LH520ATV.7.2-2

## FUEL TANK

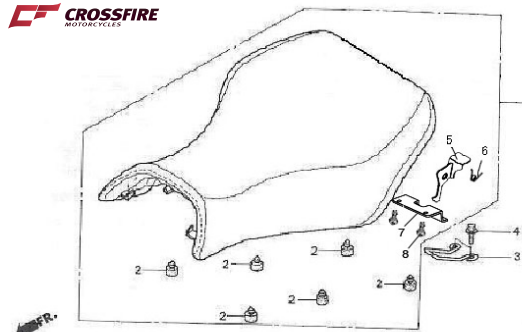
**CROSSFIRE**  
MOTORCYCLES



REF. No.	DESCRIPTION	QTY	SPEC 1	CODE	SPEC 2
1	TANK, FUEL (NEW MODEL)	1	4AA-24110-01	71416	
2	BOLT M8X35	2	B11L30835R	10124	GB/T16674.1
3	BOLT M8X20	2	B11L30820R	10081	GB/T16674.1
4	BRACKET, FUEL PUMP	1	4AA-24410-00	71428	
5	FUEL TANK CAP	1	4AB-24600-00	71972	LH520ATV.8.3a
6	FUEL FILTER	1	4AB-24103-00	70842	LH520ATV.8E.4
7	FUEL FILTER INSTALLATION	1	4AB-24104-00	70845	LH520ATV.8E-2
8	FUEL HOSE 1	1	4AA-24111-00	71417	
8	FUEL HOSE 1( MARK "FUSTE") (USED FOR EXCEPT EPA CERTIFICATION)	1	4AA-24111-10	71417a	
9	FUEL HOSE 2	1	4AA-24112-00	71418	
9	FUEL HOSE 2( MARK "FUSTE") (USED FOR EXCEPT EPA CERTIFICATION)	1	4AA-24112-10	71418a	
10	FUEL HOSE 3	1	4AA-24113-00	71419	
10	FUEL HOSE 3( MARK "FUSTE") (USED FOR EXCEPT EPA CERTIFICATION)	1	4AA-24113-10	71419a	
11	FUEL HOSE 4	1	4AA-24314-00	71427	
11	FUEL HOSE 4( MARK "FUSTE") (USED FOR EXCEPT EPA CERTIFICATION)	1	4AA-24314-10	71427a	
12	HOSE CLAMPS 8/14	8	90450-08001	71658	
13	HOSE CLAMPS 14/27	2	90450-08002	71659	
14	HOSE CLAMPS 33/57	2	90450-08003	71660	
15	PIPE2	1	4AA-24122-00	70733	LH520ATV.8-11
16	VALVE,TANK, FUEL	1	3AU-24105-00	710.021	LH125T-12.11.5
17	PIPE 3	1	4AA-24123-00	71422	
18	PIPE 1	1	4AA-24161-00	71425	
18	PIPE 1( MARK "FUSTE") (USED FOR EXCEPT EPA CERTIFICATION)	1	4AA-24161-10	71425a	
19	THREE WAY	1	4AB-24186-00	70852	LH520ATV.8E-9
20	SCREW M5X16	6	B23L30516R	10201	GB/T818
21	PROTECTION BOARD, OIL PUMP	1	4AA-24101-00	71413	
22	BOLT M6X20	6	B23L30620R	10755	GB/T819
23	OIL FILLING PORT	1	4AA-24114-00	71420	
24	FILLER NECK	1	4AA-24115-00	71421	
24	FILLER NECK( MARK "FUSTE") (USED FOR EXCEPT EPA CERTIFICATION)	1	4AA-24115-10	71421a	
25	SCREW M5X12	4	B23L30512R	10001	GB/T818
26	CUSHION RUBBER FILLER NECK	1	4AA-2417H-00	71426	
27	BOLT M6X12	4	B11L30612R	10140	GB/T16674.1
28	CUSHION, OIL PUMP	1	4AA-24411-00	72031	
29	JOINT SPILL PIPE	1	4AA-24102-00	71414	
30	OIL SPILL TUBE CLIP	1	4TA-24152-00	83395	LH1620.50-5
31	OIL SPILL PIPE	1	4AA-24667-00	71430	
32	CUSHION, FUEL TANK CAP(USED FOR USA)	1	4AA-24601-00	71429	
32	CUSHION, FUEL TANK CAP(USED FOR EUROPE)	1	4AB-24601-00	71647	
33	OIL FILTER	1	1AC-15342-00	50105	153FM.17-4
34	WASHER DRAIN PLUG 12MM	1	1AC-15343-00	1309283	153FM.17-5
35	WASHER 5	6	B671305000	10931	GB/T848
36	PROTECT TUBING I	1	4AA-24175-00	72032	
37	PROTECT TUBING II	1	4AA-24176-00	72033	
38	COLLAR, OIL PUMP	6	4AB-24412-00	71646	
39	PLATE	1	4AA-24413-00	72034	

## SEAT

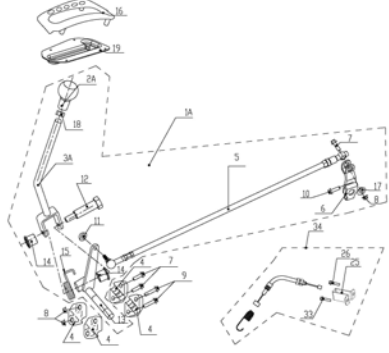
**CROSSFIRE**  
MOTORCYCLES



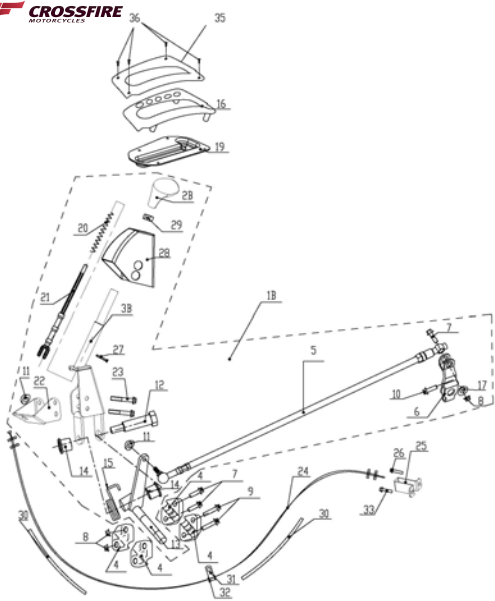
REF. No.	DESCRIPTION	QTY	SPEC 1	CODE	SPEC 2
1	SEAT	1	4AA-24710-00	71431	
2	RUBBER, SEAT SETTING	8	4AB-24747-00	70744	LH520ATV.9.1-1
3	HOOK, SEAT LOCK	1	4AA-24740-00	71433	
4	BOLT M6X16	2	B11L30616R	10183B	GB/T16674.1
5	HOOK BRACKET, SEAT LOCK	1	4AB-24770-00	70788	LH520ATV.9.1.1
6	SPRING	1	4AB-2478V-00	70802	LH520ATV.9.1-2
7	BAFFLE,SEAT	1	4AB-24775-00	70803	LH520ATV.9.1-3
8	SCREW ST4.2X13	2	B21L20413R	10178W	GB/T845
9	RUBBER, SEAT	2	4AB-24701-00	70445	LH520ATV.2-32

## SHIFT ROD

**CROSSFIRE**  
MOTORCYCLES



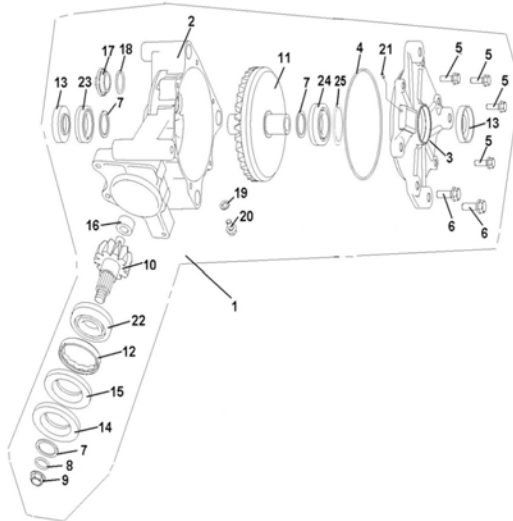
**CROSSFIRE**  
MOTORCYCLES



REF. No.	DESCRIPTION	QTY	SPEC 1	CODE	SPEC 2
1A	SHIFT ROD 1,ASSY	1	4AA-18173-00	71375	
1B	SHIFT ROD 2,ASSY	1	4AA-18173-10	71376	
2A	SHIFT KNOB 1	1	4CA-18174-00	71654	
2B	SHIFT KNOB 2	1	4AA-18174-00	71377	
3A	SHIFT ROD 1	1	4AA-18175-01	71378	
3B	SHIFT ROD 2	1	4AA-18180-00	71379	
4	SHIFT HOLDER	4	4AT-18120-00	71954	LH200ATV.11-1
5	SHIFT LEVER	1	4AA-18115-00	71371	
6	ROCKER	1	4AA-18107-00	71365	
7	BOLT M8X35	1	4AA-18106-01	71364	
8	NUT M8	3	B51L30800R	10079	GB/T6187
9	BOLT M8X60	2	B11L30860R	10720	GB/T16674.1
10	BOLT M6X35	1	B11L30635R	10186B	GB/T16674.1
11	NUT M6	3	B51L30600R	10004	GB/T6187
12	SHIFT BOLT	1	4AA-18101-00	71359	
13	SHIFT AXES	1	4AA-18102-00	71360	
14	COLLAR,SHIFT	2	4AA-18103-00	71361	
15	SPRING	1	90506-28010	71661	
16	COVER,SHIFT CONTROL	1	4AA-28380-00	71548	
17	WASHER, SHIFT ROD	1	4AA-18105-00	71363	
18	NUT M12	1	B59L31200R	71666	
19	SHIFT WASHER	1	4AA-1811A-00	71373	
20	SPRING	1	4AA-18110-00	71367	
21	SHIFT CABLE BOOM	1	4AA-18109-00	71366	
22	CABLE PLATE 1	1	4AA-18113-00	71370	
23	BOLT M6X50	1	B11L30650R	10349	GB/T16674.1
24	SHIFT CABLE	1	4AA-18112-00	71368	
25	CABLE PLATE 2	1	4AA-18116-00	71372	
26	BOLT M6X10	1	B11L30610R	10716B	GB/T16674.1
27	SCREW M3X22	1	B23L20322R	10751	GB/T818
28	SHIFT COVER	1	4AA-18120-00	71374	
29	NUT M12X1.25	1	B5EL31200A	10742	GB/T6171
30	heat-insulation film	2	4AA-18104-00	71362	
31	clip	1	4AL-25834-00	21811	LH260ATV.5.1.1
32	RUBBER TUBE 2	1	4AL-25838-00	32109	LH260ATV.5.1a-3
33	BOLT M6X30	1	B11L30630R	10182B	GB/T16674.1
34	SHIFT CABLE 2	1	4AA-18112-10	71369	

## REAR GEAR BOX

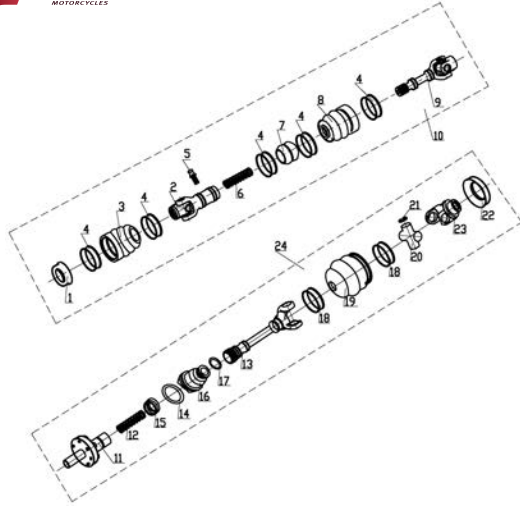
**CROSSFIRE**  
MOTORCYCLES



REF. No.	DESCRIPTION	QTY	SPEC 1	CODE	SPEC 2
1	REAR GEAR-BOX ASSY	1	4AA-23800-00	71411	
2	DRIVE HOUSING	1	4AA-23801-00	71412	
3	OUTPUT COVER	1	4AB-23821-00	70292	LH520ATV.12-2
4	O-RING 160X2.65	1	4AB-23801-00	70293	LH520ATV.12-3
5	BOLT M8X28	4	B11A30828R	10060	GB/T16674.1
6	BOLT M10X1.25X28	2	B12A31028A	70010	GB/T16674.1
7	WASHER 35.5	3	4CD-2380A-00	71965	LH400CUV-2.12-11
8	O-RING 20X3	1	4AB-23803-00	70295	LH520ATV.12-5
9	NUT M16X1.5	1	4AB-23804-00	70296	LH520ATV.12-6
10	OUTPUT AXLE,RING REAR GEAR-BOX	1	4AB-23805-00	70297	LH520ATV.12-7
11	INPUT AXLE,RING REAR GEAR-BOX	1	4AB-23806-00	70298	LH520ATV.12-8
12	LOCK NUT	1	4AB-23807-00	70299	LH520ATV.12-9
13	SEAL 35X55X11	2	4CD-2380B-00	71963	LH400CUV-2.12.1
14	SEAL 38X85X8	1	4AB-23808-00	70289	LH520ATV.12.2
15	SEAL 38X80X8	1	4AB-23809-00	70290	LH520ATV.12.3
16	BEARING 15NQ2815	1	1BB-2380D-00	44104	170M.10.1
17	OIL SCREEN CAP	1	1AC-15191-00	24305	153FM.16-3
18	O-RING 30.5X3	1	1AC-15126-00	50082	153FM.16-6
19	WASHER	1	1AC-15472-00	20818	153FM.18-2
20	OIL PLUG	1	1AC-15442-00	20817	153FM.18-3
21	tube,REAR GEAR-BOX BREATHER	1	4AC-23573-00	21340	LH260ATV.17.2-1
22	BEARING 6306	1	BCC0100047	70019	GB/T276
23	BEARING 6007	1	BCC0100069	10724	GB/T276
24	BEARING 6207	1	BCC0100072	70801	GB/T276
25	WASHER 60	1	4CD-2380C-00	71964	LH400CUV-2.12-10

## KNUCKLE

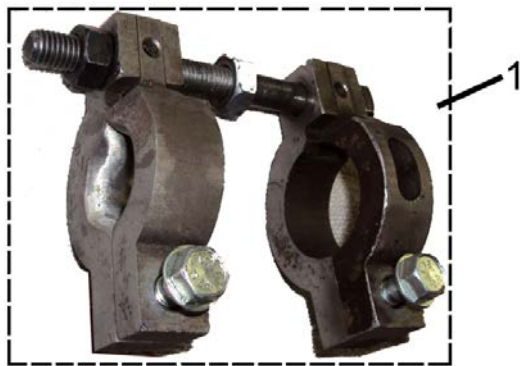
**CROSSFIRE**  
MOTORCYCLES



REF. No.	DESCRIPTION	QTY	SPEC 1	CODE	SPEC 2
1	DUST SHEET, FRONT KNUCKLE	1	4AA-46111-00	71584	
2	LINK FORK 1, FRONT KNUCKLE	1	4AA-46112-00	71585	only can supply together!
	CROSS SHAFT, FRONT KNUCKLE	1	4AA-46113-00		
	LINK FORK, FRONT KNUCKLE	1	4AA-46114-00		
3	DUST COVER 1, FRONT KNUCKLE	1	4AA-46120-00	71591	
4	PUMPING WITH CLAMPS	5	4AB-46145-00	71651	
5	STRAIGHT-THROUGH PRESSURE GREASE CUP	1	4AB-46146-00	71652	
6	SPRING, FRONT KNUCKLE	1	4AB-46147-00	71653	
7	DUST COVER 2, FRONT KNUCKLE	1	4AA-46121-00	71592	
8	DUST COVER 3, FRONT KNUCKLE	1	4AA-46122-00	71593	
9	SPLING AXLE, FRONT KNUCKLE	1	4AA-46117-00	71589	only can supply together!
	CROSS SHAFT, FRONT KNUCKLE	1	4AA-46113-00		
	LINK FORK 2, FRONT KNUCKLE	1	4AA-46119-00		
10	FRONT KNUCKLE	1	4AA-46110-00	71583	
11	JOINT,INBOARD,REAR KNUCKLE	1	4AB-46143-00	71966	LH520ATV.13.2-1
12	SPRING, REAR KNUCKLE	1	4AB-46142-00	70304	LH520ATV.13.2-2
13	SPLING AXLE , REAR KNUCKLE	1	4AA-46131-00	71595	
14	BAND,OUTBOARD BOOT	1	4AB-46141-00	70305	LH520ATV.13.2-3
15	BOOT SET	1	4AB-46139-00	70307	LH520ATV.13.2-5
16	SEAL	1	4AB-46140-00	70306	LH520ATV.13.2-4
17	BAND,SHAFT BOOT	1	4AB-46144-00	70308	LH520ATV.13.2-6
18	TIES ( STAINLESS STEEL MATERIAL, Lx W 750x7mm)	1	4AA-46148-00	71601	
19	DUST COVER, REAR KNUCKLE	1	4AA-46135-00	71598	
20	CROSS SHAFT, REAR KNUCKLE	1	4AA-46133-00	71596	
21	CIRCLIP	4	4AA-46134-00	71597	
22	DUST SHEET, REAR KNUCKLE	1	4AA-46136-00	71599	
23	LINK FORK 2, REAR KNUCKLE	1	4AA-46137-00	71600	
24	REAR KNUCKLE	1	4AA-46130-00	71594	

## FRONT DRIVE SHAFT ASSY. TOOL

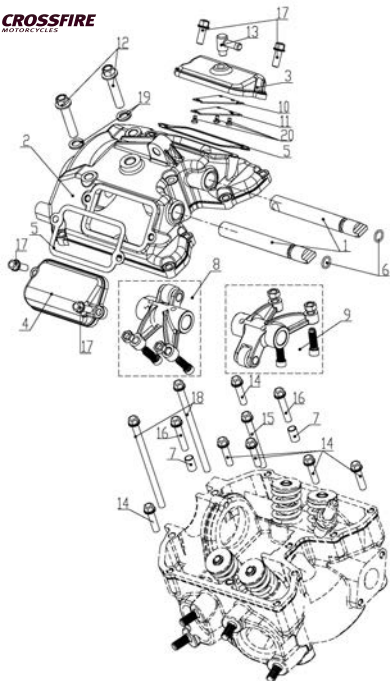
**CROSSFIRE**  
MOTORCYCLES



REF. No.	DESCRIPTION	QTY	SPEC 1	CODE	SPEC 2
1	FRONT DRIVE SHAFT ASSY. TOOL	1	4AA-4619N-00	80117	

## CYLINDER HEAD COVER ASSY

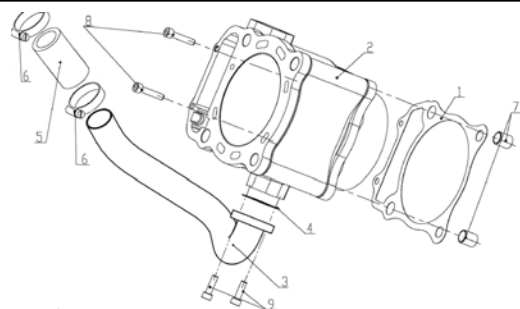
**CROSSFIRE**  
MOTORCYCLES



REF. No.	DESCRIPTION	QTY	SPEC 1	CODE	SPEC 2
1	ROCKER SHAFT	2	1BA-12156-00	71683	LH1102U.1-1
2	CYLINDER HEAD COVER	1	1BA-11191-00	71690	LH1102U.1-2
3	VALVE COVER INTAKE SIDE	1	1BA-11186-00	71692	LH1102U.1-3
4	VALVE COVER EXHAUST SIDE	1	1BA-11187-00	71705	LH1102U.1-4
5	GASKET,VALVE COVER	2	1BA-11192-00	71718	LH1102U.1-5
6	O-RING 9.8X2.4	2	1BA-11193-00	71719	LH1102U.1-6
7	PIN DOWEL 8X9	2	1BA-11194-00	71737	LH1102U.1-7
8	INTAKE SIDE ROCKER ARM VALVE	1	1BA-12150-00	71951	LH1102U.1.1
9	EXHAUST SIDE ROCKER ARM VALVE	1	1BA-12160-00	71670	LH1102U.1.2
10	VENTILATION CHANBER COVER	1	1BA-11195-00	71758	LH1102U.1-8
11	GASKET,VENTILATION CHANBER COVER	1	1BA-11196-00	71778	LH1102U.1-9
12	BOLT,ROCKER SHAFT	2	1BA-12157-00	71687	LH1102U.1-10
13	FITTINGS ASSY	1	1BA-11197-00	71671	LH1102U.1.3
14	BOLT M6X25	6	B11A20625R	10187W	GB/T16674.1
15	BOLT M6X55	1	B11A20655R	10530	GB/T16674.1
16	BOLT M6X32	2	B11A20632R	10329	GB/T16674.1
17	BOLT M6X16	4	B11A20616R	10183W	GB/T16674.1
18	BOLT M6X105	2	B11A206L5R	70219	LH163QML.16-11
19	WASHER	2	1AC-15472-00	20818	153FM.18-2
20	SCREW M3x6	3	B23A20306R	10752	GB/T818

## CYLINDER

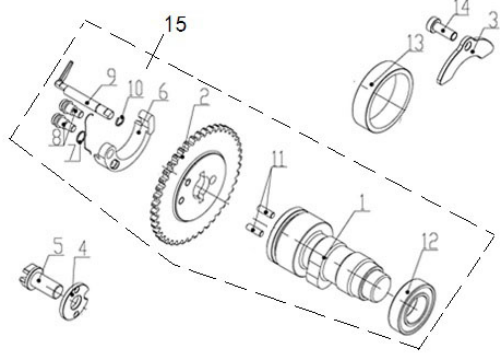
**CROSSFIRE**  
MOTORCYCLES



REF. No.	DESCRIPTION	QTY	SPEC 1	CODE	SPEC 2
1	GASKET, CYLINDER	1	1BA-11351-00	71793	LH1102U.2-1
2	CYLINDER	1	1BA-11310-00	71785	LH1102U.2.1
3	INLET PIPE,CYLINDER	1	1BA-11304-00	71821	LH1102U.2-2a
4	GASKET,CYLINDER	1	1BA-11302-00	71822	LH1102U.2-3
5	HOSE,WATER PUMP	1	1BA-11305-00	71843	LH1102U.2-4a
6	CLAMP 20/32	2	BHG1320006	10764	GB/T8870
7	PIN DOWEL 14X16	2	1BB-11185-00	22417	170M.1-6
8	BOLT SOCKET HEAD M6X30	2	B22A30630R	10170	GB/T70.1
9	BOLT M6X18	2	B11A20618R	10191	GB/T16674.1

## CAMSHAFT

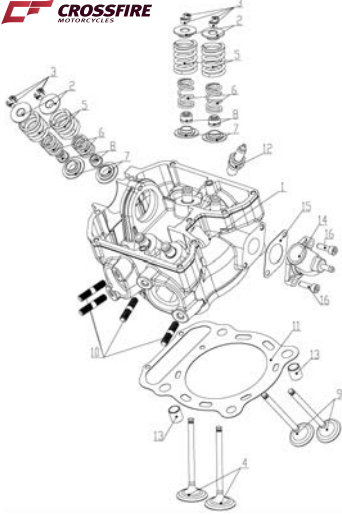
**CROSSFIRE**  
MOTORCYCLES



REF. No.	DESCRIPTION	QTY	SPEC 1	CODE	SPEC 2
1	CAMSHAFT	1	1BA-12171-00	71853	LH1102U.3-1
2	CAMSHAFT SPROCKET	1	1BA-12176-00	71855	LH1102U.3-2
3	CAMSHAFT BAFFLE	1	1BA-12173-00	71856	LH1102U.3-3
4	SPROCKET PLATE	1	1BA-12174-00	71857	LH1102U.3-4
5	SPROCKET BOLTS FASTENING	1	1BA-12175-00	71858	LH1102U.3-5
6	DECOMPRESSION BLOCK REJECTION	1	1BA-12288-10	71860	LH1102U.3-7
7	DECOMPRESSION RETURN SPRING	1	1BA-12287-00	71861	LH1102U.3-8
8	DECOMPRESSION AND FIXATION BOLTS	2	1BA-12289-00	71862	LH1102U.3-9
9	VACUUM CENTRIFUGE AXIS	1	1BA-12299-00	71859	LH1102U.3-6
10	OPENING RING d5	1	B713305000	10418	GB/T896
11	PIN 4X12	2	1BA-12177-00	71854	LH1102U.3-10
12	BEARING 6904	1	BCC0100073	10729	GB/T276
13	ROLLER BEARING HK4012	1	BCC3300001	10715	GB/T12764
14	PHILLIPS HEAD BOLT M6X16	1	B1JA50616R	10730	GB/T29.2
15	camshaft group	1	1BA-12179-00	72013	

## CYLINDER HEAD ASSY

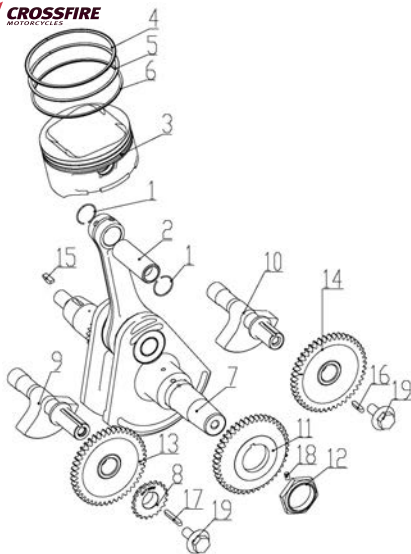
**CROSSFIRE**  
MOTORCYCLES



REF. No.	DESCRIPTION	QTY	SPEC 1	CODE	SPEC 2
1	CYLINDER HEAD ASSY	1	1BA-11111-00	71863	LH1102U.4.1
2	RETAINER SPRING VALVE	4	1BA-12117-00	71869	LH1102U.4-1
3	COTTER VALVE	8	1BA-12118-00	71870	LH1102U.4-2
4	INTAKE VALVE	2	1BA-12111-00	71871	LH1102U.4-3
5	SPRING VALVE OUTER	4	1BA-12114-00	71872	LH1102U.4-4
6	SPRING VALVE INNER	4	1BA-12113-00	71873	LH1102U.4-5
7	SEAT SPRING VALVE	4	1BA-12116-00	71874	LH1102U.4-6
8	VALVE SEAL ASSY	4	1BA-12119-00	71864	LH1102U.4.2
9	EXHAUST VALVE	2	1BA-12121-00	71875	LH1102U.4-7
10	BOLT M8X38	4	1BA-12128-00	71876	LH1102U.4-8
11	GASKET 2,CYLINDER HEAD	1	1BA-11181-00	71865	LH1102U.4.3
12	PIUG SPARK (BOSCH)	1	1BA-82300-00	71950	FR8DCX
13	PIN DOWEL 14X16	2	1BB-11185-00	22417	170M.1-6
14	PIPE,CYLINDER HEAD	1	1BA-11112-00	71866	LH1102U.4.4
15	GASKET 1,CYLINDER HEAD	1	1BA-11114-00	71867	LH1102U.4.4-2
16	SOCKET HEAD CAP SCREWS	2	B22A40620R	10008G	GB/T70.1

## CRANKSHAFT COMP

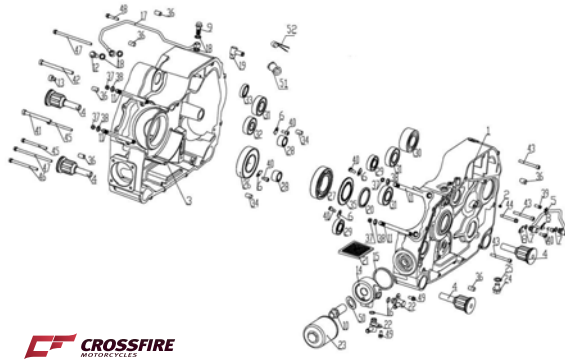
**CROSSFIRE**  
MOTORCYCLES



REF. No.	DESCRIPTION	QTY	SPEC 1	CODE	SPEC 2
1	CLIP	2	1BA-11632-00	71879	LH1102U.5-1
2	PISTON PIN	1	1BA-11633-00	71886	LH1102U.5-2
3	PISTON	1	1BA-11631-00	71887	LH1102U.5-3
4	PISTON RING 1 SET	1	1BA-11611-00	71888	LH1102U.5-4
5	PISTON RING 2 SET	1	1BA-11612-00		LH1102U.5-5
6	PISTON RING SET	1	1BA-11613-00		LH1102U.5.1
7	CRANKSHAFT ASSY	1	1BA-11400-00	71878	LH1102U.5.2
8	INITIATIVE SPROCKET OIL PUMP	1	1BA-13324-00	71890	LH1102U.5-6
9	FRONT BALABCE SHAFTS	1	1BA-11660-00	71891	LH1102U.5-7
10	REAR BALABCE SHAFTS	1	1BA-11661-00	71892	LH1102U.5-8
11	CRANK BALANCER DRIVE GEAR	1	1BA-11662-00	71893	LH1102U.5-9
12	LOCKNUT M35X1.5	1	1BA-11663-00	71880	LH1102U.5-10
13	CRANK BALANCER DRIVE GEAR A	1	1BA-11664-00	71881	LH1102U.5-11
14	CRANK BALANCER DRIVE GEAR B	1	1BA-11665-00	71882	LH1102U.5-12
15	KEY	1	1BA-11666-00	71883	LH1102U.5-13
16	FLAT KEY A4X20	1	B82040420B	10710	GB/T1096
17	FLAT KEY A4X30	1	B82040430B	10711	GB/T1096
18	CYLINDRICAL PIN 5X8	1	1BA-11667-00	71884	LH1102U.5-14
19	BOLT M10X1.25X25	2	1BA-11668-00	71885	LH1102U.5-15



## CRANKCASE

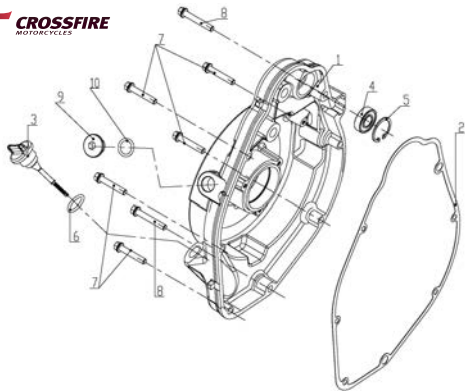


**CROSSFIRE**  
MOTORCYCLES

REF. No.	DESCRIPTION	QTY	SPEC 1	CODE	SPEC 2
1	LEFT CRANKCASE	1	1BA-15110-00	71894	LH1102U.6.1
2	OIL ROAD PLUG	1	1AC-15123-00	71931	153FM.17.2-3
3	RIGHT CRANKCASE	1	1BA-15120-00	71897	LH1102U.6.2
4	ENGINE MOUNT BUSHING	4	1BA-15130-00	71898	LH1102U.6.3
5	TUBING COMPONENTS 1	1	1BA-15140-00	71899	LH1102U.6.4
6	NEEDLE ROLLER BEARING BAFFLE	4	1BA-15101-00	71905	LH1102U.6.1
7	O RING 8.8X1.9	2	1BA-15115-00	71908	LH1102U.6.2
8	TUBING BAFFLE	2	1BA-15102-00	71909	LH1102U.6.3
9	OIL PASSAGE BOLT A	1	1BA-15103-00	71910	LH1102U.6.4
10	OIL FILTER BLOCK	1	1BA-15104-00	71911	LH1102U.6.5
11	DOUBLE END STUDS	4	1BA-15105-00	71912	LH1102U.6.6
12	OIL PASSAGE BOLT B	1	1BA-15106-00	71913	LH1102U.6.7
13	LIMIT AXIS	1	1BA-15107-00	71914	LH1102U.6.8
14	OIL-COOLING CONNECTOR	1	1BA-15108-00	71906	LH1102U.6.10
15	RING	1	1BA-15109-00	71907	LH1102U.6.11
16	O RING 11.2X1.8	2	1BA-15113-00	10736	GB/T3452.1
17	TUBING COMPONENTS 2	1	1BA-15150-00	71900	LH1102U.6.5
18	COMBINATORIAL GASKET	4	1BA-15160-00	71901	LH1102U.6.6
19	VENTILATION MOUTH COMPONENTS	1	1BA-15170-00	71902	LH1102U.6.7
20	OIL SEAL 45X55X4	1	1BA-15180-00	71903	LH1102U.6.8
21	OIL STRAINER	1	1BA-15190-00	71904	LH1102U.6.9
22	COLD OIL CONNECTOR TUBE ASSEMBLY	2	1BA-151a0-00	71895	LH1102U.6.10
23	OIL FILTER	1	1DA-13309-00	70196	LH2V70.16.3
24	OIL DRAIN PLUG	1	1AC-15342-00	50105	153FM.17-4
25	WASHER DRAIN PLUG 12MM	1	1AC-15343-00	1309283	153FM.17-5
26	BEARING 6209 C3	1	BCC0100074	10727	GB/T276
27	BEARING 6209LLU C3	1	BCC0100075	10728	GB/T276
28	NEEDLE ROLLER BEARINGS NK20/16	2	BCC3400001	10740	GB/T5801
29	BEARING 6004 C3	2	BCC0100042	10723	GB/T276
30	BEARING 5206 C3	1	BCC0300001	10731	GB/T296
31	BEARING 6205	3	BCC0100051	10267	GB/T276
32	BEARING 6204	1	BCC0100054	10062	GB/T276
33	BEARING 61805	1	BCC0100076	10725	GB/T276
34	LOCATING PIN 10X16	2	1AC-12106-00	2531017	153FM.4-12
35	SEAL	1	1BA-151b0-00	71896	LH1102U.6.11
36	LOCATING PIN 8X14	6	1AC-15153-00	50076	153FM.17-3
37	NUT M10X1.25	4	1BA-15114-00	10192	GB/T6177.1
38	WASHER 10	4	B631210000	10019	GB/T97.1
39	SOCKET HEAD CAP SCREWS M5X12	1	B22A30512R	10745	GB/T70.1
40	SOCKET HEAD CAP SCREWS M6X12	6	B22A50612R	10532	GB/T70.1
41	SOCKET HEAD CAP SCREWS M8X80	1	B22A30880R	10258	GB/T70.1
42	SOCKET HEAD CAP SCREWS M8X95	1	B22A30895R	10750	GB/T70.1
43	SOCKET HEAD CAP SCREWS M6X55	3	B22A30655R	10748	GB/T70.1
44	BOLT M6X45	1	B11A20645R	10197	GB/T16674.1
45	BOLT M6X70	2	B11A20670R	10160	GB/T16674.1
46	BOLT M6X80	1	B11A20680R	10717	GB/T16674.1
47	BOLT M6X110	2	B11A206U0R	27208	GB/T16674.1
48	BOLT M6X30	1	B11A20630R	10182W	GB/T16674.1
49	BOLT M6X12	2	B11A20612R	10140W	GB/T16674.1
50	WASHER 1	1	1BA-17406-00	71775	LH1102U.18-8
51	Cushion collar	1	1BA-15144-00	72021	2014.10.30
52	clamp	1	1BA-15145-00	72022	2014.10.30

## RIGHT COVER

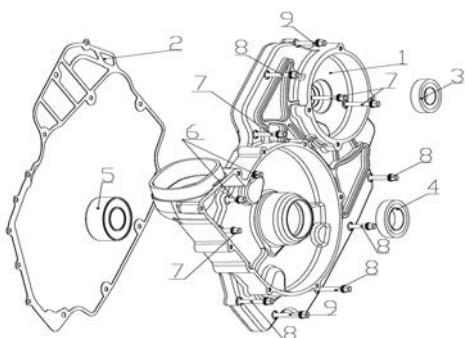
**CROSSFIRE**  
MOTORCYCLES



REF. No.	DESCRIPTION	QTY	SPEC 1	CODE	SPEC 2
1	COVER,RIGHT CRANKCASE	1	1BA-15421-00	71915	LH1102U.7-1
2	WASHER,RIGHT CRANKCASE	1	1BA-15422-00	71916	LH1102U.7-2
3	DIPSTICK	1	1BA-15423-00	71917	LH1102U.7-3
4	BEARING 6001	1	BCC0100057	70021	GB/T276
5	RING 28	1	B72L328000	28065	GB/T893.1
6	O-RING 18X3	1	B920180301	29511	GB/T3452.1
7	BOLT M6X35 (FLANGE)	5	B11A20635R	10186W	GB/T16674.1
8	BOLT M6X40 (FLANGE)	2	B11A20640R	10177W	GB/T16674.1
9	OBSERVED COVER	1	1BB-15189-00	23613	170M.5-4
10	O-RING 14X2.65	1	B921402651	10123	GB/T3452.1

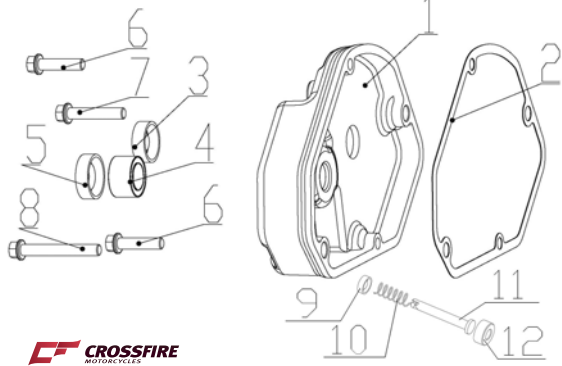
## LEFT COVER

**CROSSFIRE**  
MOTORCYCLES



REF. No.	DESCRIPTION	QTY	SPEC 1	CODE	SPEC 2
1	LEFT COVER	1	1BA-15411-00	71920	LH1102U.8-1
2	GASKET, LEFT COVER	1	1BA-15412-00	71921	LH1102U.8-2
3	OIL SEAL 25X50X8	1	1BA-15440-00	71918	LH1102U.8.1
3	OIL SEAL 30X50X8	1	1BA-15470-00	72015	
4	OIL SEAL 32X56X8	1	1BA-15459-00	71919	LH1102U.8.2
5	BEARING 62/32	1	BCC0100077	10726	GB/T276
6	BOLT M6X20	2	B11A20620R	10110W	GB/T16674.1
7	BOLT M6X25	5	B11A20625R	10187W	GB/T16674.1
8	BOLT M6X30	11	B11A20630R	10182W	GB/T16674.1
9	BOLT M6X35	2	B11A20635R	10186W	GB/T16674.1

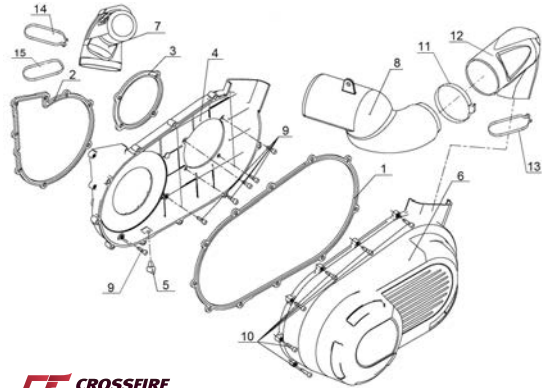
## SHIFT COVER



**CROSSFIRE**  
MOTORCYCLES

REF. No.	DESCRIPTION	QTY	SPEC 1	CODE	SPEC 2
1	SHIFT COVER	1	1BA-15431-00	71924	LH1102U.9-1
2	GASKET,SHIFT COVER	1	1BA-15432-00	71925	LH1102U.9-2
3	OIL SEAL 14X24X7	1	1BA-15433-00	71922	LH1102U.9.1
4	NEEDLE ROLLER BEARINGS RNA4900	1	BCC3400002	10741	GB/T5801
5	OIL SEAL 9X22X7	1	1BA-15460-00	71923	LH1102U.9.2
6	BOLT M6X25	2	B11A20625R	10187W	GB/T16674.1
7	BOLT M6X30	1	B11A20630R	10182W	GB/T16674.1
8	BOLT M6X45	1	B11A20645R	10197	GB/T16674.1
9	OIL SEAL 6X12X4	1	1BA-15450-00	71324	
10	SPRING SHIFT	1	1BA-15439-00	71323	
11	AXLE SHIFT	1	1BA-15437-00	71321	
12	BROKE SHIFT	1	1BA-15438-00	71322	

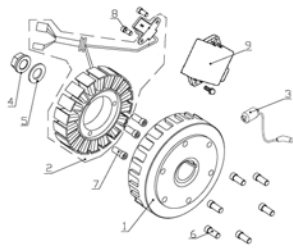
## CVT COVER



**CROSSFIRE**  
MOTORCYCLES

REF. No.	DESCRIPTION	QTY	SPEC 1	CODE	SPEC 2
1	WASHER,CVT BIG COVER	1	1BA-17672-00	71677	LH1102U.10-1
2	WASHER A, SMALL COVER	1	1BA-17673-00	71678	LH1102U.10-2
3	WASHER B, SMALL COVER	1	1BA-17674-00	71679	LH1102U.10-3
4	CVT SMALL COVER COMPONETS	1	1BA-17675-00	71672	LH1102U.10.1
5	DRAIN PLUG	1	1BA-17679-00	71673	LH1102U.10.1-4
6	CVT BIG COVER COMPONETS	1	1BA-17681-01	71674	LH1102U.10.2
7	ENTER PIPE	1	1BA-17690-00	71680	LH1102U.10-4
8	OUT PIPE A	1	1BA-17696-00	71681	LH1102U.10-5
9	SOCKET HEAD CAP SCREWS M6X25	13	B22A40625R	10085G	GB/T70.1
10	SOCKET HEAD CAP SCREWS M6X20	8	B22A40620R	10008G	GB/T70.1
11	CLAMP	1	1BA-17699-00	71676	LH1102U.10.4
12	OUT PIPE B	1	1BA-17697-00	71682	LH1102U.10-6
13	CLIP	1	1BA-17698-00	71675	LH1102U.10.3
14	CLIP	1	1BA-1760a-00	71325	
15	GASKET,ENTER PIPE	1	1BA-1769a-00	71330	

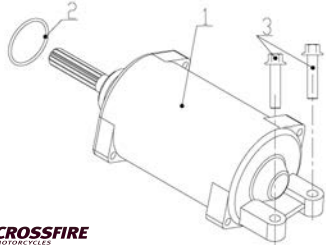
## GENERATOR



**CROSSFIRE**  
MOTORCYCLES

REF. No.	DESCRIPTION	QTY	SPEC 1	CODE	SPEC 2
1	ROTOR ASSY	1	1BA-81450-00	71684	LH1102U.11.1.1
2	STATOR ASSY	1	1BA-81410-00	71685	LH1102U.11.1.2
3	IGNITON COIL AND WIRE	1	1BD-82301-00	70822D	LH180MQ.6E.2
4	NUT M16X1.5	1	1BA-85651-00	71688	LH1102U.11-1
5	WASHER 16.5	1	1BA-85652-00	71689	LH1102U.11-2
6	SOCKET HEAD CAP SCREWS M8X18	6	B22A30818R	10749	GB/T70.1
7	SOCKET HEAD CAP SCREWS M6X30	3	B22A30630R	10170	GB/T70.1
8	SOCKET HEAD CAP SCREWS M5X12	2	B22A30512R	10745	GB/T70.1
9	ECU	1	1BA-85602-00	71686	LH1102U.11.2
9	ECU (FOR FRANCE)	1	1BA-85901-00	71686F	2014.10.30

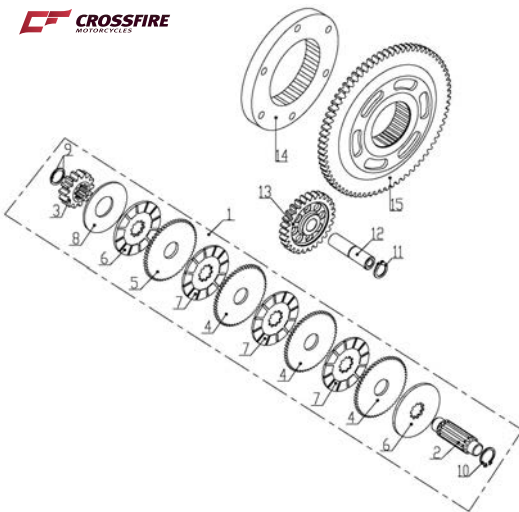
## STARTING MOTOR



**CROSSFIRE**  
MOTORCYCLES

REF. No.	DESCRIPTION	QTY	SPEC 1	CODE	SPEC 2
1	STARTING MOTOR	1	1BA-81890-00	71691	LH1102U.12.1
2	O-RING 24.5x3	1	1BA-81847-00	24106	170M.16-1
3	BOLT M6x25	2	B11A20625R	10187W	GB/T16674.1

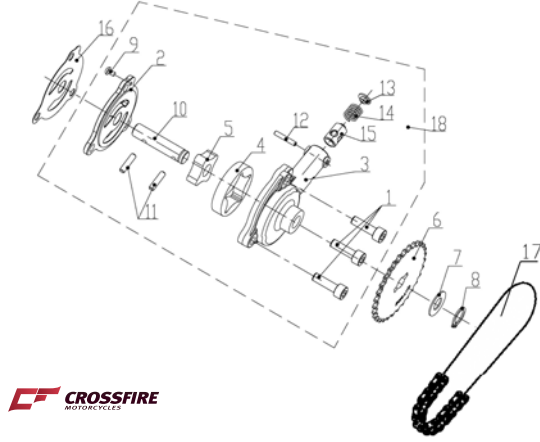
## START SLOWDOWN ASSY



**CROSSFIRE**  
MOTORCYCLES

REF. No.	DESCRIPTION	QTY	SPEC 1	CODE	SPEC 2
1	STARTER TORQUE LIMITER	1	1BA-15710-00	71693	LH1102U.13.1
2	DOUBLE GEAR SHAFT	1	1BA-15711-00	71694	LH1102U.13.1-1
3	PINION	1	1BA-15712-00	71695	LH1102U.13.1-2
4	BIG CHAINRINGS A	3	1BA-15713-00	71696	LH1102U.13.1-3
5	BIG CHAINRINGS B	1	1BA-15714-00	71697	LH1102U.13.1-4
6	SINGLE-SIDED FRICTION PLATE	2	1BA-15715-00	71698	LH1102U.13.1-5
7	DOUBLE-SIDED FRICTION PLATE	3	1BA-15716-00	71699	LH1102U.13.1-6
8	DISC SPRING C40-1	2	BDHC040017	10722	GB/T1972
9	HALF-MOON RING	2	1BA-15718-00	71700	LH1102U.13.1-8
10	RING 15	1	B753315000	10768	GB/T894.1
11	RING 12	1	B753312000	10129	GB/T894.1
12	INTERMEDIATE SHAFT	1	1BA-15720-00	71703	LH1102U.13-1
13	STARTER IDLE GEAR	1	1BA-15730-00	71704	LH1102U.13-2
14	CLUTCH OUTER ASSY	1	1BA-15740-00	71701	LH1102U.13.2
15	STARTER DRIVEN GEAR	1	1BA-15750-00	71702	LH1102U.13.3

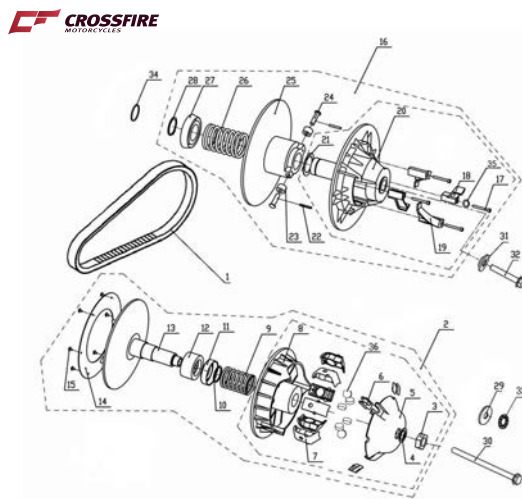
## OIL PUMP



**CROSSFIRE**  
MOTORCYCLES

REF. No.	DESCRIPTION	QTY	SPEC 1	CODE	SPEC 2
1	BOLT M6X20	3	B22A40620R	10008G	GB/T70.1
2	OIL PUMP COVER	1	1BA-13301-00	71707	LH1102U.14-1
3	OIL PUMP	1	1BA-13302-00	71710	LH1102U.14-2
4	OUTER ROTOR	1	1BA-13303-00	71711	LH1102U.14-3
5	INNER ROTOR	1	1BA-13304-00	71712	LH1102U.14-4
6	CHAIN WHEEL OIL PUMP	1	1BA-13305-00	71713	LH1102U.14-5
7	WASHER 12	1	1BB-15515-00	23703	170M.7-1
8	RING 11	1	B753311000	10767	GB/T894
9	SCREWS M3X8	1	B23A20308R	26008	GB/T818
10	AXIS, OIL PUMP	1	1BA-13306-00	71714	LH1102U.14-6
11	CYLINDRICAL PIN 4X16	2	1BA-13311-00	71709	LH1102U.14-11
12	ELASTIC CYLINDRICAL PIN 3X18	1	B333203180	10763	GB/T879.2
13	VALVE COVER	1	1BA-13307-00	71715	LH1102U.14-7
14	VALVE SPRING	1	1BA-13308-00	71716	LH1102U.14-8
15	VALVE	1	1BA-13309-00	71717	LH1102U.14-9
16	GASKET,OIL PUMP	1	1BA-13310-00	71708	LH1102U.14-10
17	CHAIN,OIL PUMP	1	1BA-13320-00	71706	LH1102U.14.1
18	OIL PUMP	1	1BA-13300-00	71315	

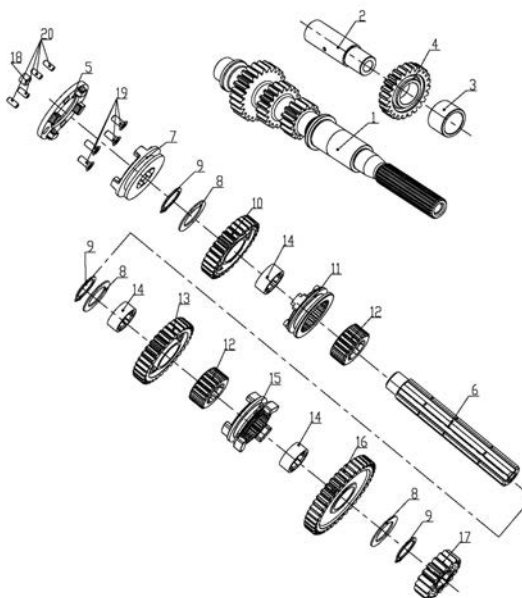
## CLUTCH



**CROSSFIRE**  
MOTORCYCLES

REF. No.	DESCRIPTION	QTY	SPEC 1	CODE	SPEC 2
1	BELT	1	1BA-17610-00	71332	
2	DRIVING WHEEL SUB-ASSY.	1	1BA-17620-00	71333	
3	NUT,DRIVING WHEEL	1	B55A51810F	71665	can not supply
4	WASHER,DRIVING WHEEL	1	1BA-1762b-00	71344	can not supply
5	ROOF COMPONENTS	1	1BA-17621-00	71334	can not supply
6	DAMPER	3	1BA-17622-00	71335	can not supply
7	SLIDER,DRIVING WHEEL	6	1BA-17623-00	71336	can not supply
8	MOVABLE DRIVE FACE	1	1BA-17624-00	71337	can not supply
9	SPRING,DRIVING WHEEL	1	1BA-17625-00	71338	can not supply
10	WASHER	1	1BA-17626-00	71339	can not supply
11	SPRING SEAT ,DRIVING WHEEL	1	1BA-17627-00	71340	can not supply
12	ONE WAY CLUTCH	1	1BA-17628-00	71341	can not supply
13	FIXED DRIVE FACE	1	1BA-17629-00	71342	can not supply
14	BASEPLATE,,DRIVING WHEEL	1	1BA-1762a-00	71343	can not supply
15	SREW ,M4×8	6	B22A20408R	71662	can not supply
16	DRIVEN SHEEL SUB-ASSY.	1	1BA-17630-00	71345	
17	BOLT ,M4×35	4	B22A30435R	10744	can not supply
18	BRAKE STOP	2	1BA-17631-00	71346	can not supply
19	SLIDER,DRIVEN WHEEL	2	1BA-17632-00	71347	can not supply
20	FIXED DRIVEN FACE	1	1BA-17633-00	71348	can not supply
21	WASHER Φ35	1	1BA-17634-00	71349	can not supply
22	CYLINDRICAL PIN 3.5X26	2	B363335260	71664	can not supply
23	COLLER	2	1BA-17635-00	71350	can not supply
24	PIN,COLLER	2	1BA-17636-00	71351	can not supply
25	MOVABLE DRIVEN FACE	1	1BA-17637-00	71352	can not supply
26	SPRING, DRIVEN WHEEL	1	1BA-17638-00	71353	can not supply
27	SPRING SEAT L,DRIVEN WHEEL	1	1BA-17639-00	71354	can not supply
28	RING 35	1	B753335150	71669	can not supply
29	INSTALLATION SLEEVE,DRIVING SHEEL	1	1BA-17642-01	71326	
30	MOUNTING BOLT,DRIVING WHEEL	1	1BA-17643-01	71327	
31	INSTALLATION SLEEVE,DRIVEN SHEEL	1	1BA-17644-00	71328	
32	MOUNTING BOLT,DRIVEN WHEEL	1	1BA-17645-00	71329	
33	Internal teeth lock washers	1	B6C3210000	71668	can not supply
34	ADJUSTING WASHER,CVT	1	1BA-17701-00	71331	can not supply
34	WASHER	1	1BA-17646-00	72023	
35	WASHER Φ4	2	B631204000	10071	GB/T97.1
36	Centrifugal weight	6	1BA-1762c-00	72025	

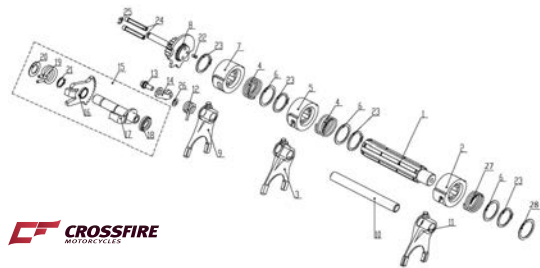
## TRANSMISSION ASSY



**CROSSFIRE**  
MOTORCYCLES

REF. No.	DESCRIPTION	QTY	SPEC 1	CODE	SPEC 2
1	DRIVE SHAFT	1	1BA-23551-00	71720	LH1102U.16-1
2	REVERSE IDLE GEARSHAFT	1	1BA-23536-00	71729	LH1102U.16-2
3	REVERSE SLEEVE	1	1BA-23522-00	71730	LH1102U.16-3
4	REVERSE IDLE GEAR	1	1BA-23537-00	71731	LH1102U.16-4
5	PARKING BRAKE DISC	1	1BA-23538-00	71732	LH1102U.16-5
6	COUNTER SHAFT	1	1BA-23541-00	71733	LH1102U.16-6
7	PARKING SWITCH PLATE	1	1BA-23539-00	71734	LH1102U.16-7
8	WASHER 25.2	3	1BA-23523-00	71735	LH1102U.16-8
9	RING 25	3	B753325000	10064	GB/T894.1
10	HIGHT DRIVEN GEAR	1	1BA-23543-00	71736	LH1102U.16-9
11	HIGHTGEARSHIFT DOG	1	1BA-23540-00	71721	LH1102U.16-10
12	VICE SHAFT SPLINE HOUSING	2	1BA-23524-00	71722	LH1102U.16-11
13	REVERSE DRIVEN GEAR	1	1BA-23547-00	71723	LH1102U.16-12
14	GEAR BUSHING	3	1BA-23525-00	71724	LH1102U.16-13
15	LOW-REVERSE GEARSHIFT DOG	1	1BA-23542-00	71725	LH1102U.16-14
16	LOW DRIVEN GEAR	1	1BA-23545-00	71726	LH1102U.16-15
17	INTERMEDIATE GEAR 1	1	1BA-23526-00	71727	LH1102U.16-16
18	COUNTER SHAFT PLUG	1	1BA-23527-00	71728	LH1102U.16-17
19	Six countersunk head screws M5X16	4	B2AA30516R	10818	GB/T70.3
20	CYLINDRICAL PIN 5X12	4	B302105120	10714	GB/T119.2

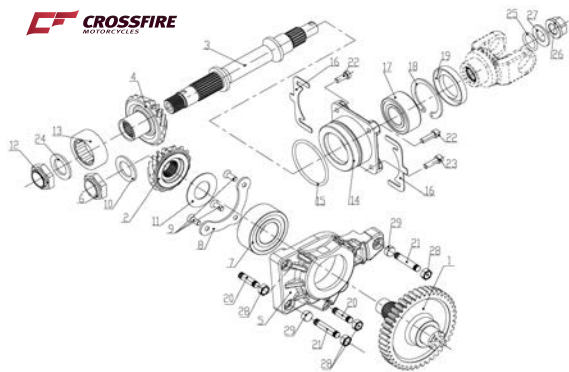
## SHIFT ASSY



**CROSSFIRE**  
MOTORCYCLES

REF. No.	DESCRIPTION	QTY	SPEC 1	CODE	SPEC 2
1	SHIFT DRUM SHAFT	1	1BA-23510-00	71745	LH1102U.17-1
2	LOW SPEED-REVERSE SHIFT DRUM	1	1BA-23582-00	71750	LH1102U.17-2
3	HIGH GEARSHIFT FORK	1	1BA-23581-00	71751	LH1102U.17-3
4	SHIFT COMPRESSION SPRING	3	1BA-23577-00	71752	LH1102U.17-4
5	HIGH GEARSHIFT DRUM	1	1BA-23583-00	71753	LH1102U.17-5
6	WASHER 28.2	3	1BA-23578-00	71754	LH1102U.17-6
7	PARKING STALLS SHIFT DRUM	1	1BA-23584-00	71755	LH1102U.17-7
8	GEARSHIFT CAM STOPPER PLATE	1	1BA-23507-00	71756	LH1102U.17-8
9	IN THE CAR STALLS PLECTRUM	1	1BA-23580-00	71757	LH1102U.17-9
10	GEARSHIFT FORK SHAFT	1	1BA-23585-00	71746	LH1102U.17-10
11	LOW/REVERSE GEARSHIFT FORK	1	1BA-23579-00	71747	LH1102U.17-11
12	RETURN SPRING	1	1BA-23508-00	71748	LH1102U.17-12
13	GEARSHIFT CAM STOPPER BOLT	1	1BA-23509-00	71749	LH1102U.17-13
14	GEARSHIFT CAM STOPPER	1	1BA-23503-00	71738	LH1102U.17.1
15	SHIFT SHAFT ASSY.	1	1BA-23501-00	71739	LH1102U.17.2
16	SHIFT GEAR ASSY.	1	1BA-23511-00	71740	LH1102U.17.2.1
17	GEARSHIFT SHAFT	1	1BA-23514-00	71741	LH1102U.17.2.2
18	SLEEVE	1	1BA-23517-00	71742	LH1102U.17.2-1
19	GEARSHIFT RETURN SPRING	1	1BA-23518-00	71743	LH1102U.17.2-2
20	WASHER 14	1	1BA-23519-00	71744	LH1102U.17.2-3
21	RING 14	1	B753314000	10115	GB/T894.1
22	B-TYPE CYLINDRICAL PIN	1	B301004080	10712	GB/T119
23	RING 28	4	B753328000	10769	GB/T894.1
24	SOCKET HEAD CAP SCREWS M4X35	2	B22A30435R	10744	GB/T70.1
25	OPEN RETAINING RING 6	1	B713306000	10130	GB/T896
26	WASHER 6	1	B671306000	10762	GB/T848
27	SHIFT COMPRESSION SPRING	1	1BA-23576-00	72024	
28	WASHER 1	1	1BA-17406-00	71775	LH1102U.18-8

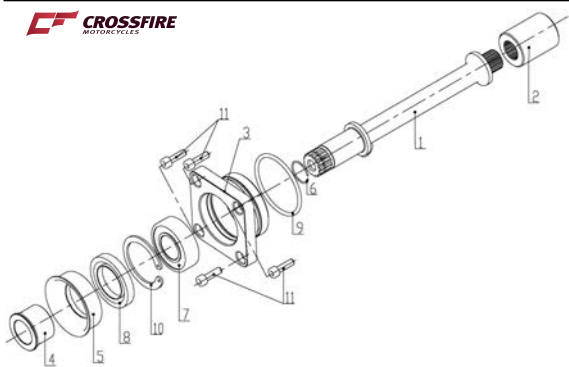
## REAR OUTPUT ASSY



**CROSSFIRE**  
MOTORCYCLES

REF. No.	DESCRIPTION	QTY	SPEC 1	CODE	SPEC 2
1	IDLER WHEEL 2	1	1BA-17401-00	71761	LH1102U.18-1
2	DRIVE BEVEL GEAR	1	1BA-17402-00	71769	LH1102U.18-2
3	REAR OUTPUT SHAFT	1	1BA-17421-00	71770	LH1102U.18-3
4	DRIVEN BEVEL GEAR	1	1BA-17403-00	71771	LH1102U.18-4
5	BEARING BRAKET	1	1BA-17404-00	71772	LH1102U.18-5
6	LOCKING NUT M20X1.5	1	1BA-17405-00	71773	LH1102U.18-6
7	BEARING 5206 C3	1	BCC0300001	10731	GB/T296
8	BEARING PLATE	1	1BA-17419-00	71774	LH1102U.18-7
9	PHILLIPS HEAD SCREWS M6X14	3	B2AD30614R	10757	GB/T70.3
10	WASHER 1	1	1BA-17406-00	71775	LH1102U.18-8
11	SHIM 2 (OPTIONAL)	1	1BA-17407-00	71777	LH1102U.18-9
12	LOCKING NUT M22X1.5	1	1BA-17408-00	71762	LH1102U.18-10
13	NEEDLE BEARING 32NQ5419	1	1BA-17409-00	71759	LH1102U.18.1
14	BEARING BRAKET,REAR OUTPUT SHAFT	1	1BA-17410-00	71763	LH1102U.18-11
15	O-RING 59.6X3.5	1	1BA-17411-00	71764	LH1102U.18-12
16	SHIM (OPTIONAL)	2	1BA-17412-00	71765	LH1102U.18-13
17	BEARING 5205	1	BCC0300002	10732	GB/T296
18	WASHER 52	1	B733352000	10766	GB/T893.2
19	SEAL 35X54X8	1	1BA-17413-00	71760	LH1102U.18.3
20	STUD BOLTS M8X41	2	1BA-17417-00	71767	LH1102U.18-15
21	STUD BOLTS M8X47	2	1BA-17418-00	71768	LH1102U.18-16
22	SOCKET HEAD SCREW M6X20	3	B22A40620R	10008G	GB/T70.1
23	SOCKET HEAD SCREW M6X16	1	B22A50516R	10746	GB/T70.1
24	WASHER 22	1	1BB-17Z07-00	40413	170M.10-7
25	O-RING 20X3	1	4AB-23803-00	70295	LH520ATV.12-5
26	NUT M16X1.5	1	1BA-85651-00	71688	LH1102U.11-1
27	WASHER 16.5	1	1BA-85652-00	71689	LH1102U.11-2
28	NUT M 8	4	B53A20800R	10776	GB/T6187.1
29	PIN DOWEL 12X14	2	1BA-17416-00	71766	LH1102U.18-14

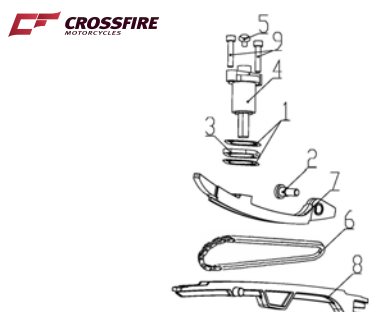
## FRONT DRIVE ASSY



**CROSSFIRE**  
MOTORCYCLES

REF. No.	DESCRIPTION	QTY	SPEC 1	CODE	SPEC 2
1	FRONT DRIVE SHAFT	1	1BA-17461-00	71779	LH1102U.19-1
2	SPLINE SETS	1	1BA-17462-00	71780	LH1102U.19-2
3	BEARING BRAKET, FRONT DEIVE SHAFT	1	1BA-17463-00	71781	LH1102U.19-3
4	SLEEVE,FRONT DRIVE SHAFT	1	1BA-17464-00	71782	LH1102U.19-4
5	SHEATH HOLDER	1	1BA-17465-00	71783	LH1102U.19-5
6	WIRE RING $\phi$ 21X1.3	1	1BA-17466-00	71784	LH1102U.19-6
7	BEARING 6205	1	BCC0100051	10267	GB/T276
8	SEAL 35X54X8	1	1BA-17413-00	71760	LH1102U.18.3
9	O-RING 59.6X3.5	1	1BA-17411-00	71764	LH1102U.18-12
10	RING 52	1	B733352000	10766	GB/T893.2
11	SOCKET HEAD SCREWS M6X20	4	B22A40620R	10008G	GB/T70.1

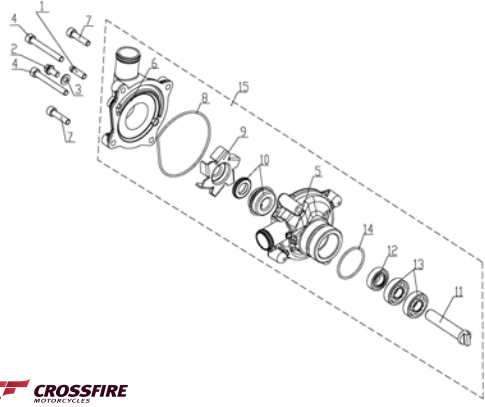
## TIMING CHAIN



**CROSSFIRE**  
MOTORCYCLES

REF. No.	DESCRIPTION	QTY	SPEC 1	CODE	SPEC 2
1	GASKET, TENSIONER CASE	2	1BA-12213-00	71790	LH1102U.20-1
2	BOLT	1	1BA-12230-00	71791	LH1102U.20-2
3	SPACER,TENSIONER CASE	1	1BA-12212-00	71792	LH1102U.20-3
4	CAM CHAIN TENSION ADJUSTER	1	1BA-12210-00	71786	LH1102U.20.1
5	SCREW PAN	1	1AC-12216-00	4080097	153FM.21.1-1
6	CHAIN	1	1BA-12201-00	71787	LH1102U.20.2
7	CAM CHAIN TENSIONER	1	1BA-12231-00	71788	LH1102U.20.3
8	CAM CHAIN GUIDE	1	1BA-12241-00	71789	LH1102U.20.4
9	BOLT M6X30	2	B22A30630R	10170	GB/T70.1

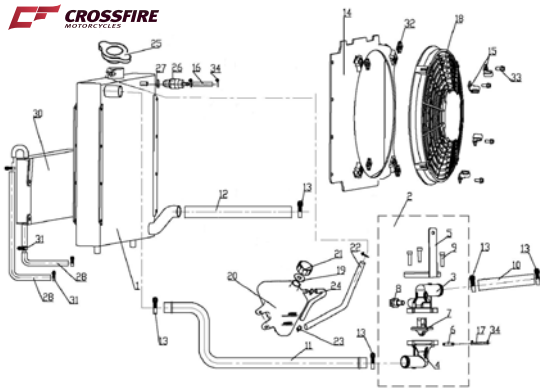
## WATER PUMP ASSY



**CROSSFIRE**  
MOTORCYCLES

REF. No.	DESCRIPTION	QTY	SPEC 1	CODE	SPEC 2
1	CONNECTOR, WATER PUMP	1	1BA-1247-00	71797	LH1102U.21-1
2	BOLT M6X12	1	B11A20612R	10140W	GB/T16674.1
3	WASHER 6	1	1BB-11188-00	22810	170M.1-9
4	SOCKET SCREW M6X50	2	B22A30650R	10747	GB/T70.1
5	SHELL, WATER PUMP	1	1BA-12421-00	71798	LH1102U.21-2
6	HOUSING COVER	1	1BA-12422-00	71799	LH1102U.21-3
7	SOCKET SCREW M6X25	2	B22A30625R	10085B	GB/T70.1
8	GASKET HOUSING COVER	1	1BA-12428-00	71800	LH1102U.21-4
9	PELLER SHAFT ASSY	1	1BA-12450-00	71801	LH1102U.21-5
10	MECHANICAL SEAL	1	1BA-12438-00	71794	LH1102U.21.1
11	AXLE,PELLER SHAFT ASSY	1	1BA-12426-00	71802	LH1102U.21-6
12	SEAL 12X28X7	1	1BA-12423-00	71795	LH1102U.21.2
13	BEARING 16101	2	1BA-12424-00	71796	LH1102U.21.3
14	O-RING 36X3.2	1	1BA-12425-00	71803	LH1102U.21-7
15	WATER PUMP	1	1BA-12420-00	71314	

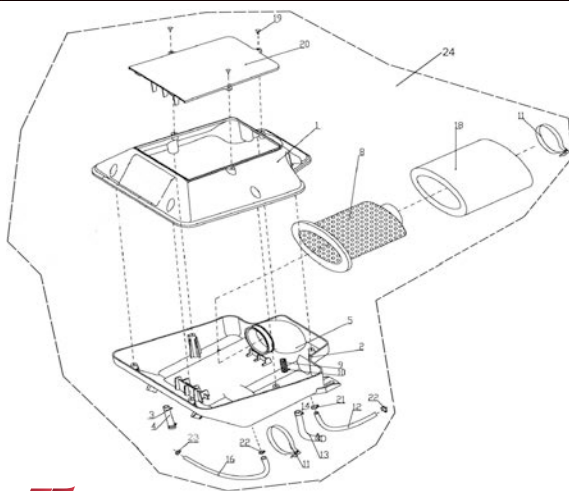
## COOLING COMPONENTS



**CROSSFIRE**  
MOTORCYCLES

REF. No.	DESCRIPTION	QTY	SPEC 1	CODE	SPEC 2
1	RADIATOR	1	1BA-12401-00	71804	LH1102U.22.1
2	THERMOSTATIC VALVE COMPONENTS	1	1BA-12402-00	71805	LH1102U.22.2
3	THERMOSTATIC SHELL	1	1BA-12403-00	71807	LH1102U.22.2-1
4	DOWN SHELL	1	1BA-12404-00	71808	LH1102U.22.2-2
5	TEMPERATURE CONTROL VALVE STENTS	1	1BA-12405-00	71806	LH1102U.22.2.1
6	CONDUIT JOINTS	1	1BA-11115-00	71868	LH1102U.4.4-3
7	THERMOSTATIC VALVE	1	1DA-12410-00	70143	LH2V70.12.2.3
8	THE COOLING FLUID TEMPERATURE SENSOR	1	1DA-85887-00	70811	LH2V70.12E.2.4
9	SOKET HEAD CAP SCREW M6X25	3	B22A30625R	10085B	GB/T70.1
10	OUTLET HOSE, CYLINDER HEAD	1	1BA-12485-00	71811	LH1102U.22-1
11	INLET HOSE, READIATOR	1	1BA-12483-00	71813	LH1102U.22-2
12	OUTLET HOSE, READIATOR	1	1BA-12482-00	71814	LH1102U.22-3
13	HOSE HOOPS 21/44	6	BHG1210007	72027	
14	FAN MOUTING BRACKET	1	1BA-12430-00	71815	LH1102U.22-4
15	FAN INSTALLED BOARD	4	1BA-12431-00	71816	LH1102U.22-5
16	VENTILATION TUBE WATER TANK	1	1BA-12487-00	71817	LH1102U.22-6
17	MINOR CYCLE CONDUIT	1	1BA-12477-00	71818	LH1102U.22-7
18	FAN MOTER COMPONENTS	1	1BA-12432-00	71809	LH1102U.22.3
19	WASHER,TANK RECOVERY	1	4AB-21811-00	70339	LH520ATV.16.2.1-2
20	TANK RECOVERY	1	4AB-21810-00	70340	LH520ATV.16.2-1
21	COVER,TANK RECOVERY	1	4AB-21821-00	70338	LH520ATV.16.2.1-1
22	PIPE,SAFETY VALVE	1	1BA-12407-00	71819	LH1102U.22-8
23	CLIP 1	2	3AU-24109-00	72028	LH125T-12.11-9
24	PIPE,TANK RECOVERY	1	4AB-21812-00	70342	LH520ATV.16.2-3
25	SAFETY VALVE	1	1BB-12462-00	22907	170M.11.1.1
26	COOL FAN THERMO-SWITCH	1	1BA-12486-00	71932	1BA-12486-00
27	O-RING 13.2X1.8	1	B921321801	10737	GB/T3452.1
28	PIPE	2	1BA-12701-00	71820	LH1102U.22-9
30	OIL TANKS	1	1BA-12410-00	71810	LH1102U.22.4
31	HOSE CLAMPS 8/14	4	90450-08001	70851	
32	PLASTIC FLEXIBLE INSTALLATION NUT	4	4CC-21811-00	70960	LH300CUV.2-57
33	BOLT M6X12	4	B11A30612R	10140B	GB/T16674.1
34	CLIP	4	1BB-11189-00	22914	170M.1-7

## AIR CLEANER

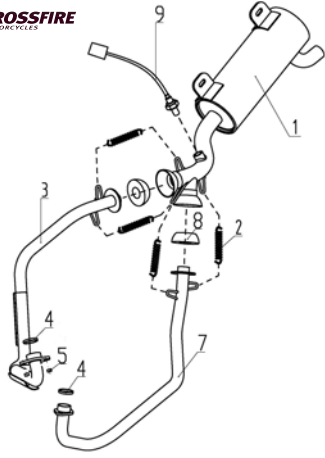


**CROSSFIRE**  
MOTORCYCLES

REF. No.	DESCRIPTION	QTY	SPEC 1	CODE	SPEC 2
1	UPPER HOUSING, AIR CLEANER	1	1BA-14412-00	71825	LH1102U.23-1
2	LOWER HOUSING, AIR CLEANER	1	1BA-14422-00	71831	LH1102U.23-2
3	SPRING CARD HOOP 10	1	1BA-14403-00	71832	LH1102U.23-3
4	ROW TUBING A	1	1BA-14404-00	71833	LH1102U.23-4
5	THROTTLE BODY CONNECTION TUBE	1	1BA-14405-00	71834	LH1102U.23-5
8	AIR CLEANER CORE	1	1BA-14451-00	71823	LH1102U.23.2
9	PROOF PIPES, AIR CLEANER	1	1BA-14452-00	71836	LH1102U.23-7
10	SPRING CARD HOOP 13	2	1BA-14408-00	71837	LH1102U.23-8
11	CARD HOOP 70	1	1BA-14409-00	71824	LH1102U.23.3
12	VENTILATION TUBE BODY	1	1BA-14401-00	71838	LH1102U.23-9
13	ROW TUBING B	1	1BA-14402-00	71826	LH1102U.23-10
14	SPRING CARD HOOP 15	1	1BA-14413-00	71827	LH1102U.23-11
16	THE VALVE COVER INTO VENTILATION TUBE	1	1BA-14415-00	71829	LH1102U.23-13
18	FILTER SPONGE SET	1	1BA-14455-00	71317	
19	CROSS RECESSED PAN HEAD TAPPING SCREWS ST4.8	9	B21A24J18R	10760	GB/T845
20	AIR CLEANER COVER	1	1BA-14432-00	71933	1BA-14432-00
21		1	1BB-14884-00	71357	
22	SPRING CARD HOOP 13	2	1BB-14885-00	71358	
23	SPRING CARD HOOP	1	1AC-11192-00	1309150	
24	AIR CLEANER ASSY.	1	1BA-14400-00	71316	

## EXHAUST

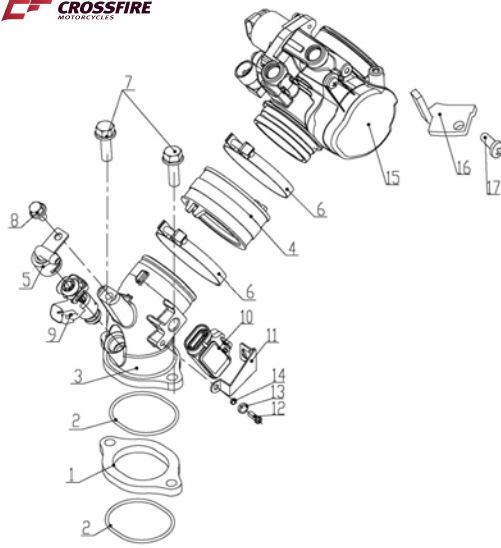
**CROSSFIRE**  
MOTORCYCLES



REF. No.	DESCRIPTION	QTY	SPEC 1	CODE	SPEC 2
1	MUFFLER (USED FOR EUROPE MARKET)	1	1BA-14710-00	71839	LH1102U.24.1
1	MUFFLER (USED FOR NOT APPLY TO THE EUROPEAN CERTIFICATION MARKET)	1	1BA-1471a-00	71318	
1	MUFFLER(USED FOR USA MARKET)	1	1BA-1471b-00	71319	
1	MUFFLER (USED FOR NOT APPLY TO THE EUROPEAN CERTIFICATION MARKET)	1	1BA-1471c-00	71320	
2	SPRING	4	4AL-14601-00	23408	LH260ATV.15-1
3	PIPE A, EXHAUST	1	1BA-14620-00	71840	LH1102U.24.2
4	GASKET,EXHAUSE	2	1BB-14613-00	23403	170M.19.3
5	NUT M8	4	B51F20800R	10079	GB/T6187.1
7	PIPE B, EXHAUST	1	1BA-14630-00	71841	LH1102U.24.3
8	JOINT,EXHAUSE	2	1BA-14701-00	71842	LH1102U.24.4
9	SENSOR	1	4AB-14640-00	70826	LH520ATV.14E.6

## FUEL INJECTION ASSY

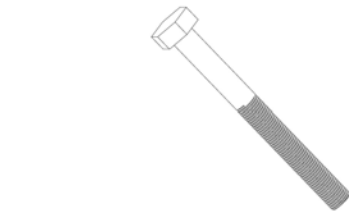
**CROSSFIRE**  
MOTORCYCLES



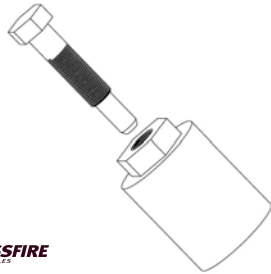
REF. No.	DESCRIPTION	QTY	SPEC 1	CODE	SPEC 2
1	INTAKE PIPE PADS	1	1BA-13581-00	71846	LH1102U.25.1-1
2	O-RING 51.5X2	2	1BA-13582-00	71847	LH1102U.25.1-2
3	FEED HOSE	1	1BA-13585-00	71848	LH1102U.25.1-3
4	JOINT,FEED HOSE	1	1BA-13583-00	71849	LH1102U.25.1-4
5	INJECTOR CAP	1	1BA-13584-00	71850	LH1102U.25.1-5
6	CLIP 64	2	1BA-13587-00	71844	LH1102U.25.1.1
7	BOLT M8X12	2	B11A30825R	10059	GB/T16674.1
8	BOLT M6X10	1	B11A20610R	10716W	GB/T16674.1
9	INJECTOR	1	1BA-13510-01	71845	LH1102U.25.1.2a
10	INTAKE AIR TEMPERATURE SENSOR(SUBJECT)	1	1DB-85888-00	71957	LH2V73.14.4-1
11	INTAKE AIR TEMPERATURE SENSOR PLATE	1	1DB-85887-00	71958	LH2V73.14.4-2
12	SCREW M4X8	1	B23A20408R	70040	GB/T818
13	SPRING WASHER 4	1	B65L30400R	71032	GB/T93
14	WASHER 4	1	B67L20400R	10761	GB/T848
15	THROTTLE BODY ASSEMBLY	1	1BA-13520-00	71851	LH1102U.25.2
16	SPEED LIMITING BLOCK OF THE TB	1	1BA-13521-00	71852	LH1102U.25.2-1
17	SCREW M4X12	1	1BA-13524-00	72029	2014.4.3修改

## ACCESSORY

**CROSSFIRE**  
MOTORCYCLES



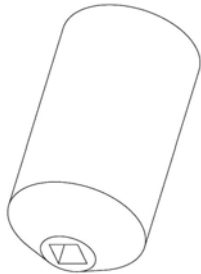
REF. No.	DESCRIPTION	QTY	SPEC 1	CODE	SPEC 2
1	Driving wheel puller	1	1BA-17780-00	71355	



2	Rotor ASSY puller	1	1BA-85610-00	71356	
---	-------------------	---	--------------	-------	--

**CROSSFIRE**  
MOTORCYCLES

**CROSSFIRE**  
MOTORCYCLES



3	Crankshaft nut wrench (M35X1.5)	1	1BA-11670-00	71313	
---	---------------------------------	---	--------------	-------	--



4	Driven pulley spring compressor		1BA-17730-00 FZ/1	72014	2014.8.19
---	---------------------------------	--	-------------------	-------	-----------

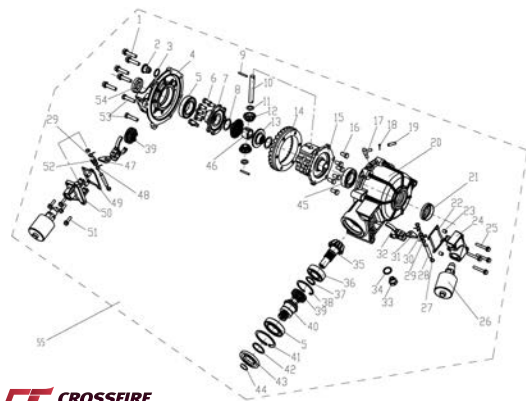
**CROSSFIRE**  
MOTORCYCLES



5	THE TOOL FOR ONE WAY CLUTCH OF DRIVING WHEEL	1	1BA-17628-00 FZ/1	72038	
---	---	---	-------------------	-------	--

**CROSSFIRE**  
MOTORCYCLES

## FRONT GEAR BOX

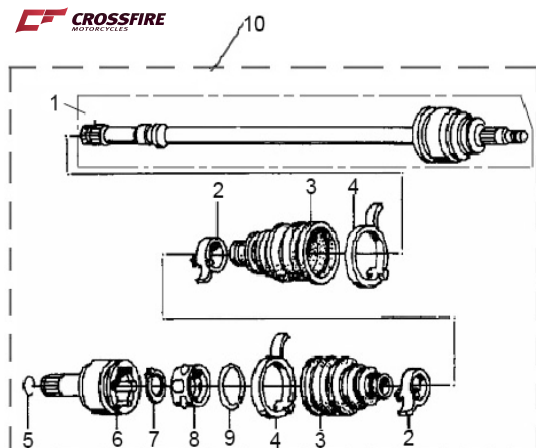


**CROSSFIRE**  
MOTORCYCLES

REF. No.	DESCRIPTION	QTY	SPEC 1	CODE	SPEC 2
1	BOLT M8X25	5	B11A30825R	10059	GB/T16674.1
2	BOLT M16	1	1BA-46166-00	72003	LHTY.6-6
3	WASHER 16	1	1BA-46167-00	72004	LHTY.6-7
4	FRONT GEAR-BOX COVER	1	1BA-46161-00	71998	LHTY.6-1
5	BEAR 6007	2	BCC0100069	10724	GB/T276
6	BOLT M8X15	8	4AL-46116-00	24718	LHTY.1.1-6
7	FOC BODY COVER	1	1BA-46175-00	71984	LHTY.6.1-9
8	WASHER 2	2	4AL-4611A-00	24713	LHTY.1.1-10
9	CYLINDRICAL PIN φ4×30	2	B312004300	10713	GB/T119
10	CENTER AXIS	1	1BA-46172-00	71981	LHTY.6.1-4
11	SPHERICAL WASHER	2	4AL-46112-00	24702	LHTY.1.1-2
12	SMALL UMBRELLA GEAR	2	4AL-46113-00	24703	LHTY.1.1-3
13	BIG UMBRELLA GEAR	2	1BA-46173-00	71982	LHTY.6.1-7
14	BEVEL CROWN WHEEL	1	1BA-46162-00	71999	LHTY.6-2
15	FOC BODY CASE	1	1BA-46171-00	71980	LHTY.6.1-1
16	BOLT M8X18	6	1BA-46174-00	71983	LHTY.6.1-8
17	VENT FITTING	1	1AC-11198-00	2531003	153FM.1.1
18	BOOT BAND A	1	1AC-11192-00	1309150	153FM.1-2
19	VENT TUBE φ5×φ9×φ460	1	1BA-46169-00	72006	LHTY.6-9
20	DIFF CASE RHS	1	1BA-46163-00	72000	LHTY.6-3
21	SEAL SDD7 22X48X11	1	4AL-4610C-00	24310	LHTY.1.2
22	RIGHT COVER WASHER	1	1BA-46187-00	71989	LHTY.6.3-11
23	PINS 8X10	4	1BA-11194-00	71737	LH1102U.1-7
24	RIGHT COVER	1	1BA-46182-00	71994	LHTY.6.3-6
25	BOLT M6X40	4	B11A30640R	10177B	GB/T16674.1
26	ELECTROMAGNETIC VALVE ASSEMBLY	2	1CA-23588-00	71978	LHTY.3.3
27	RING 8	4	B753308000	10072	GB/T894.1
28	SELECTOR RAIL	2	1BA-46179-00	71991	LHTY.6.3-3
29	RINGHT BACK TO THE SPRING 1	2	1BA-46178-00	71990	LHTY.6.3-2
30	ROUR-WHEEL DRIVE SWITCH BLOCK TORSION SPRING	1	1BA-46184-00	71996	LHTY.6.3-8
31	ROUR-WHEEL DRIVE SWITCH BLOCK	1	1BA-46183-00	71995	LHTY.6.3-7
32	DIFF SELECTOR FORK	2	1BA-46188-00	71986	LHTY.6.3.1
33	OIL DRAIN	1	1AC-15342-00	50105	153FM.17-4
34	WASHER DRAIN PLUG 12MM	1	1AC-15343-00	1309283	153FM.17-5
35	CONICAL WITH HELICAL GEARING	1	1BA-46164-00	72001	LHTY.6-4
36	BEAR 6205	1	BCC0100021	10778	GB/T276
37	RING 25	1	B753325000	10064	GB/T894.1
38	RING 52	1	B723352020	10765	GB/T893.1
39	SPLINED DOG	2	1BA-46165-00	72002	LHTY.6-5
40	DIFF INPUT SHAFT A	1	1BA-46168-00	72005	LHTY.6-8
41	RING 62	1	B723362000	10047	GB/T893.1
42	RING 35	1	B753335010	10770	GB/T894.1
43	SEAL 35X62X7	1	1BA-46176-00	71985	LHTY.6.2
44	WIRE RING φ21×1.3	1	1BA-17466-00	71784	LH1102U.19-6
45	BEAR 6006	1	BCC0100006	10202	GB/T276
46	CENTER AXIS COVER	1	4AL-46115-00	24705	LHTY.1.1-5
47	DIFFERENTIAL SWITCHING BLOCK	1	4AA-46180-00	71992	LHTY.6.3-4
48	RINGHT BACK TO THE SPRING 2	2	1BA-46177-00	71987	LHTY.6.3-1
49	LEFT COVER WASHER	1	1BA-46186-00	71988	LHTY.6.3-10
50	LEFT COVER	1	1BA-46185-00	71997	LHTY.6.3-9
51	BOLT M6X22	4	B11A20622R	10278	GB/T16674.1
52	DIFFERENTIAL SWITCHING BLOCK TORSION SPRING	1	4AA-46181-00	71993	LHTY.6.3-5
53	BOLT M8×25	2	B14A30825R	10739	GB/T5783
54	OIL SEAL 27X42X7	1	1AC-15145-00	2531562	153FM.17.6
55	FRONT GEAR-BOX	1	1BA-46160-00	71979	LHTY.6

## FRONT DRIVE AXLE (FOR 4WD)

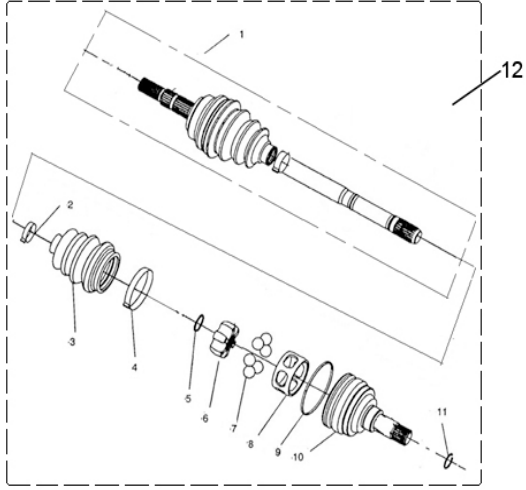
**CROSSFIRE**  
MOTORCYCLES



REF. No.	DESCRIPTION	QTY	SPEC 1	CODE	SPEC 2
1	DRIVE AXLE/OUTER CV JOINT ASSEMBLY		4AA-2510A-00	71441	GB/T308
		1	4AA-251A0-00		
		1	4AA-251B1-00		
		6	B941428720		
		1	4AA-251A1-00		
		1	4AA-251B2-00		
			4AA-251B3-00		
2	BOOT BAND "A"	2	4AA-251B4-00	71469	
3	OUTER BOARD BOOT	2	4AA-251B5-00	71470	
4	BOOT BAND "B"	2	4AA-251B6-00	71471	
5	STOPPER RING 3	1	4AA-251B7-00	71472	
6	STRAIGHT JOINT	1	4AA-251A3-00	71455	
7	CIRCLIP 19	1	B753319000	10069	GB/T894.1
8	STEEL BALL BRACKET STEEL BALL AND GEAR WHEEL	1	4AA-251A5-00	71454	
		1	4AA-251A6-00	71459	
		6	B941508120	10735	GB/T308
9	STOPPER RING 2	1	B742360000	10771	GB/T895
10	LEFT FRONT DRIVE AXLE ASSY	1	4AA-25164-00	71448	

## FRONT DRIVE AXLE (FOR 4WD)

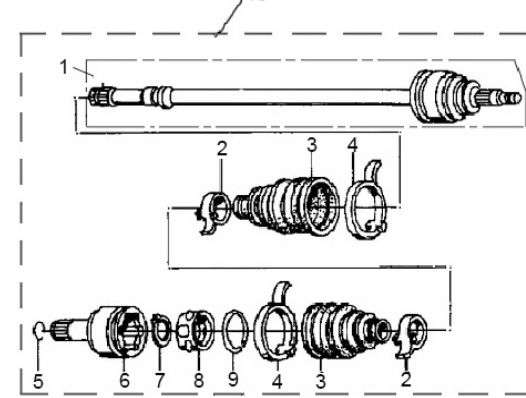
**CROSSFIRE**  
MOTORCYCLES



REF. No.	DESCRIPTION	QTY	SPEC 1	CODE	SPEC 2
1	DRIVE AXLE/OUTER CV JOINT ASSEMBLY	1	4AA-251W0-00	72039	
		1	4AA-251W1-00		
		1	4AA-251W2-00		
		1	4AA-251W3-00		
		6	4AA-251W4-00		
		1	4AA-251W5-00		
		1	4AA-251W6-00		
		1	4AA-251W7-00		
		1	4AA-251W8-00		
2	SMALL BOOT BAND	1	4AA-2511W-00	72040	
3	OUTER BOARD BOOT	1	4AA-2512W-00	72041	
4	BIG BOOT BAND	1	4AA-2513W-00	72042	
5	STOPPER RING	1	4AA-2514W-00	72043	
6	GEAR WHEEL	1	4AA-2515W-00	72044	
7	STEEL BALL	6	4AA-2516W-00	72045	
8	STEEL BALL BRACKET	1	4AA-2517W-00	72046	
9	CIRCLIP 1	1	4AA-2518W-00	72047	
10	OUTER BOARD BOOT	1	4AA-2519W-00	72048	
11	STOPPER RING 2	1	4AA-251AW-00	72049	
12	LEFT FRONT DRIVE AXLE ASSY	1	4AA-25174-00	72050	

## RIGHT FRONT DRIVE AXLE ASSY

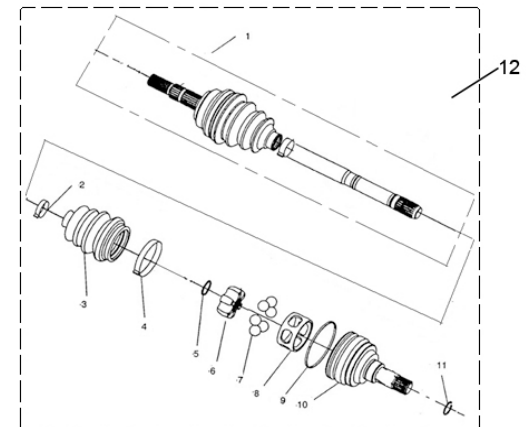
**CROSSFIRE**  
MOTORCYCLES



REF. No.	DESCRIPTION	QTY	SPEC 1	CODE	SPEC 2
1	DRIVE AXLE/OUTER CV JOINT ASSEMBLY	1	4AA-2510B-00	71442	GB/T308
		1	4AA-251B0-00		
		1	4AA-251B1-00		
		6	B941428720		
		1	4AA-251A2-00		
		1	4AA-251B2-00		
		1	4AA-251B3-00		
2	BOOT BAND "A"	2	4AA-251B4-00	71469	
3	OUTER BOARD BOOT	2	4AA-251B5-00	71470	
4	BOOT BAND "B"	2	4AA-251B6-00	71471	
5	STOPPER RING 3	1	4AA-251B7-00	71472	
6	CYLINDRICAL SHELL	1	4AA-251A4-00	71456	
7	CIRCLIP 19	1	B753319000	10069	GB/T894.1
8	STEEL BALL BRACKET STEEL BALL AND GEAR WHEEL	1	4AA-251A5-00	71454	
		1	4AA-251A6-00	71459	
6		6	B941508120	10735	GB/T308
9	STOPPER RING 2	1	B742360000	10771	GB/T895
10	RIGHT FRONT DRIVE AXLE ASSY	1	4AA-25165-00	71449	

## RIGHT FRONT DRIVE AXLE ASSY

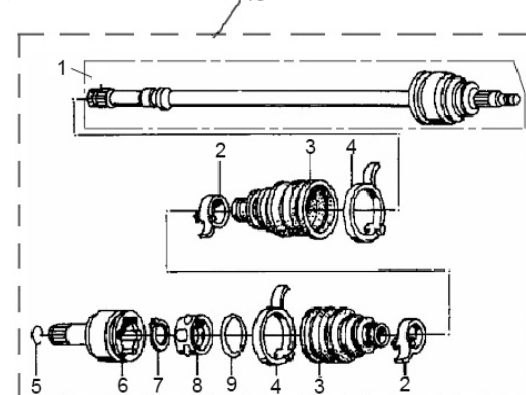
**CROSSFIRE**  
MOTORCYCLES



REF. No.	DESCRIPTION	QTY	SPEC 1	CODE	SPEC 2
1	DRIVE AXLE/OUTER CV JOINT ASSEMBLY	1	4AA-251H0-00	72051	
		1	4AA-251H1-00		
		1	4AA-251H2-00		
		1	4AA-251H3-00		
		6	4AA-251H4-00		
		1	4AA-251H5-00		
		1	4AA-251H6-00		
		1	4AA-251H7-00		
		1	4AA-251H8-00		
2	SMALL BOOT BAND	1	4AA-2511H-00	72052	
3	OUTER BOARD BOOT	1	4AA-2512H-00	72053	
4	BIG BOOT BAND	1	4AA-2513H-00	72054	
5	STOPPER RING	1	4AA-2514H-00	72055	
6	GEAR WHEEL	1	4AA-2515H-00	72056	
7	STEEL BALL	6	4AA-2516H-00	72057	
8	STEEL BALL BRACKET	1	4AA-2517H-00	72058	
9	CIRCLIP 1	1	4AA-2518H-00	72059	
10	OUTER BOARD BOOT	1	4AA-2519H-00	72060	
11	STOPPER RING 2	1	4AA-251AH-00	72061	
12	RIGHT FRONT DRIVE AXLE ASSY	1	4AA-25175-00	72062	

## REAR DRIVE AXLE

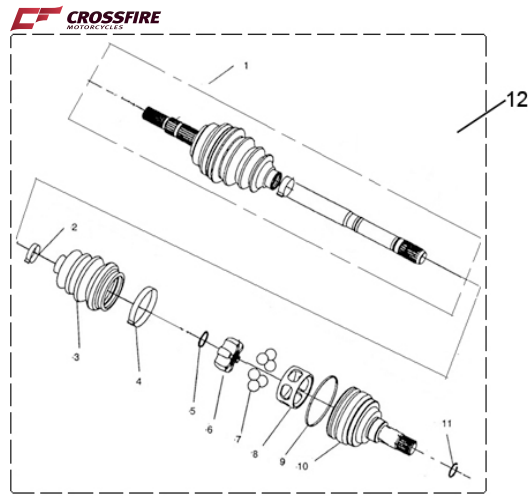
**CROSSFIRE**  
MOTORCYCLES



REF. No.	DESCRIPTION	QTY	SPEC 1	CODE	SPEC 2
1	DRIVE AXLE/OUTER CV JOINT ASSEMBLY	1	4AA-2510C-00	71443	GB/T308
		2	4AA-251C0-00		
		2	4AA-251B1-00		
		12	B941428720		
		2	4AA-251A2-00		
		2	4AA-251B2-00		
		2	4AA-251B8-00		
2	BOOT BAND "A"	1	4AA-251B4-00	71469	
3	OUTER BOARD BOOT	1	4AA-251B5-00	71470	
4	BOOT BAND "B"	1	4AA-251B6-00	71471	
5	STOPPER RING B	1	4AA-251B9-00	71484	
6	OUTER CV JOINT	1	4AA-25373-00	71490	
7	CIRCLIP 20	1	B753319000	10069	GB/T894.1
8	STEEL BALL BRACKET STEEL BALL AND GEAR WHEEL	2	4AA-251A5-00	71454	
		2	4AA-251A6-00	71459	
12		12	B941508120	10735	GB/T308
9	STOPPER RING A	1	B742360000	10771	GB/T895
10	REAR DRIVE AXLE	1	4AA-25363-00	71489	

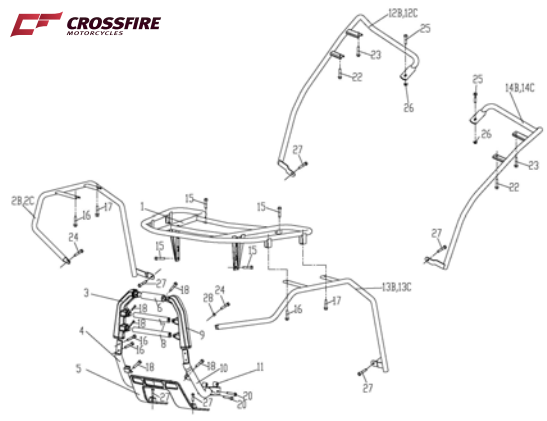
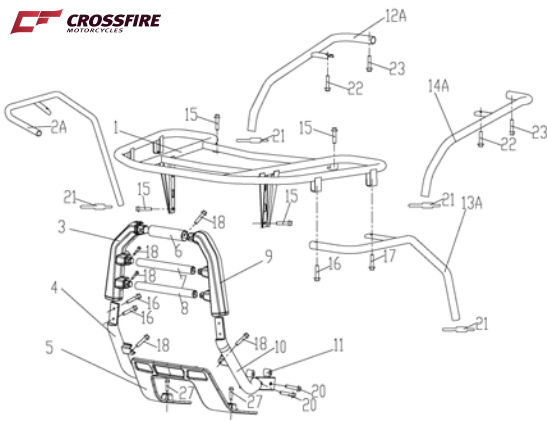


## REAR DRIVE AXLE



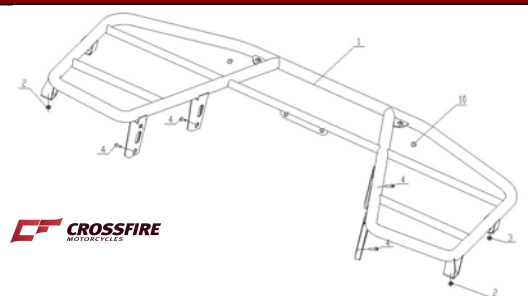
REF. No.	DESCRIPTION	QTY	SPEC 1	CODE	SPEC 2
1	DRIVE AXLE/OUTER CV JOINT ASSEMBLY	1	4AA-253W0-00	72063	
		1	4AA-253W1-00		
		1	4AA-253W2-00		
		1	4AA-253W3-00		
		6	4AA-253W4-00		
		1	4AA-253W5-00		
		1	4AA-253W6-00		
		1	4AA-253W7-00		
		1	4AA-253W8-00		
2	SMALL BOOT BAND	1	4AA-2531W-00	72064	
3	OUTER BOARD BOOT	1	4AA-2532W-00	72065	
4	BIG BOOT BAND	1	4AA-2533W-00	72066	
5	STOPPER RING	1	4AA-2534W-00	72067	
6	GEAR WHEEL	1	4AA-2535W-00	72068	
7	STEEL BALL	6	4AA-2536W-00	72069	
8	STEEL BALL BRACKET	1	4AA-2537W-00	72070	
9	CIRCLIP 1	1	4AA-2538W-00	72071	
10	OUTER BOARD BOOT	1	4AA-2539W-00	72072	
11	STOPPER RING 2	1	4AA-253AW-00	72073	
12	REAR FRONT DRIVE AXLE ASSY	1	4AA-25366-00	72074	

## FRONT BUMPER & RACK



REF. No.	DESCRIPTION	QTY	SPEC 1	CODE	SPEC 2
1	CARRIER_FR	1	4AA-24841-00	71437	
2A	FRONT RIGHT STIFFENERS-short model(optional)	1	4AA-28421-00	71564	
2B	FRONT RIGHT STIFFENERS-long model(basic)		4AA-28421-11	71565	
3	RIGHT BUMPER SUPPORTING BAR	1	4AA-28411-00	71553	
4	LEFT SIDE OF THE CONNECTING ROD ASSEMBLY	1	4AA-2841A-00	71559	
5	SHIELD ASSEMBLY	1	4AA-28416-01	71558	
6	CONNECTION 1	1	4AA-28412-00	71554	
7	CONNECTION 2	1	4AA-28413-00	71555	
8	CONNECTION 3	1	4AA-28414-00	71556	
9	LEFT BUMPER SUPPORTING BAR	1	4AA-28410-00	71552	
10	RIGHT SIDE OF THE CONNECTING ROD ASSEMBLY	1	4AA-28415-00	71557	
11	SLEEVE 3	4	4AA-2842A-00	71576	
12A	REAR RIGHT STIFFENERS-short model(optional)	1	4AA-28423-00	71572	
12B	REAR RIGHT STIFFENERS-long model(basic)	1	4AA-28423-10	71573	
13A	FRONT LEFT STIFFENERS-short model(optional)	1	4AA-28420-00	71560	
13B	FRONT LEFT STIFFENERS-long model(basic)	1	4AA-28420-11	71561	
14A	REAR LEFT STIFFENERS-short model(optional)	1	4AA-28422-00	71568	
14B	REAR LEFT STIFFENERS-long model(basic)	1	4AA-28422-10	71569	
15	BOLT M8X20	4	B11L30820R	10081	GB/T16674.1
16	BOLT M6X25	6	B11L30625R	10187B	GB/T16674.1
17	BOLT M6X20	2	B11L30620R	10110	GB/T16674.1
18	BOLT M6X12	8	B11L30612R	10140	GB/T16674.1
20	BOLT M8X65	4	B11L30865R	10419	GB/T16674.1
21	FIXED CLAMP	4	4AA-2847F-00	71580	
22	BOLT M6X60	2	B11L30660R	10005	GB/T16674.1
23	BOLT M6X50	2	B11L30650R	10349	GB/T16674.1
24	BOLT M8X12	2	B11L30812R	10034	GB/T16674.1
25	BOLT M8X20	2	B11L30820R	10081	GB/T16674.1
26	NUT M8	2	B51L30800R	10079	GB/T6187
27	BOLT M8X16	6	B11L30816R	10168	GB/T16674.1
28	SPRING 8	2	B683308000	71667	

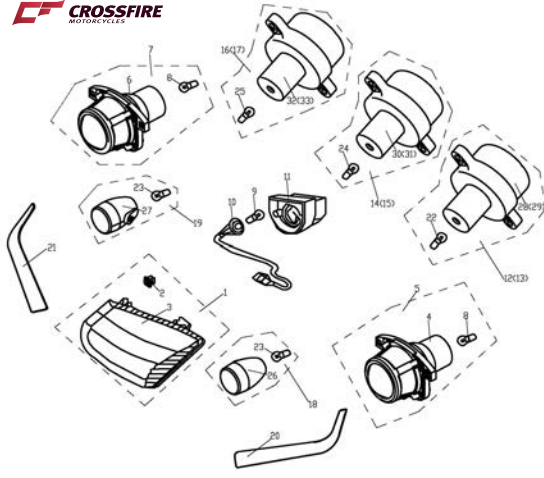
## FRONT BUMPER & RACK



REF. No.	DESCRIPTION	QTY	SPEC 1	CODE	SPEC 2
1	CARRIER_RR	1	4AA-24830-10	71438	
2	COLLAR 1	2	90380-08008	71656	
3	COLLAR 2	2	90380-08009	71657	
4	BOLT M8X20	4	B11L30820R	10081	GB/T16674.1
10	NUT M5	2	B53L30500R	10912	GB/T6177.1

## LAMP

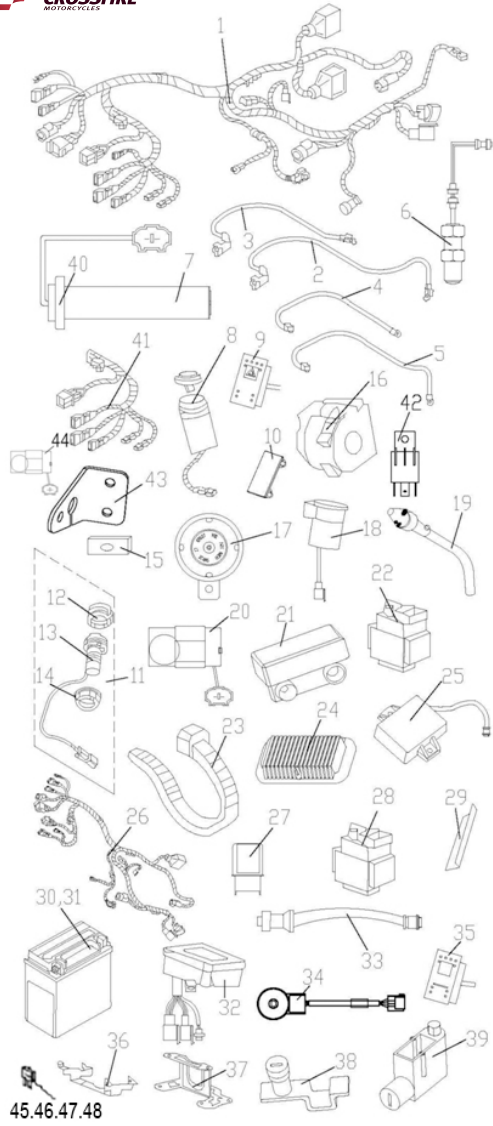
**CROSSFIRE**  
MOTORCYCLES



REF. No.	DESCRIPTION	QTY	SPEC 1	CODE	SPEC 2
1	UP-HEADLIGHT UNIT (FOR EUROPE)	1	4AA-84301-00	70427	LH520ATV.23.8
2	POSITION LIGHT COVER	1	4AB-84302-00	70431	LH520ATV.23.8-2
3	LENS,UP-HEADLIGHT	1	4AA-84303-00	70429	LH520ATV.23.8.3
4	LENS DIPPED HEADLIGHT	2	4AD-84304-00	71962	LH400ATV-2B.23.5b-1
5	DIPPED HEADLIGHT	2	4AA-84300-00	71629	
6	LENS HIGH BEAM	2	4AD-84305-00	71961	LH400ATV-2B.23.4b-1
7	HIGH BEAM	2	4AA-84302-00	71630	
8	BULB 12V 35W/35W HS	2	4AB-84306-00	71927	12V 35W/35W HS
9	BULB 12V 5W (USED FOR EUROPE)	1	4AB-84701-00	71928	12V 5W
10	SOCKET,LICENSE LIGHT	1	4AB-84702-00	70411	LH520ATV.23.22-2
11	LENS,LICENSE LIGHT (USED FOR EUROPE)	1	4AB-84700-00	70410	LH520ATV.23.22.1
12	TURN INDICATE LIGHT,L,RR (USED FOR EUROPE)	1	4AA-83311-00	71619	
13	TURN INDICATE LIGHT,R,RR (USED FOR EUROPE)	1	4AA-83321-00	71623	
14	POSITION LIGHTS,L,RR	1	4AA-84714-00	71634	
15	POSITION LIGHTS,R,RR	1	4AA-84715-00	71635	
16	BRAKE LIGHTS,L,RR	1	4AA-84744-00	71638	
17	BRAKE LIGHTS,R,RR	1	4AA-84745-00	71639	
18	TURN INDICATE LIGHT,L,FR (USED FOR EUROPE)	1	4AA-83310-00	71618	
19	TURN INDICATE LIGHT,R,FR (USED FOR EUROPE)	1	4AA-83320-00	71622	
20	LED DECORATIVE LIGHT,L,FR	1	4AA-84314-00	71631	
21	LED DECORATIVE LIGHT,R,FR	1	4AA-84315-00	71632	
22	BULB 12V 10W (USED FOR EUROPE)	1	4AA-83317-00	71929	12V 10W
23	BULB 12V 10W (USED FOR EUROPE)	1	4AA-84317-00	71473	12V 10W
24	BULB 12V 5W	1	4AA-84717-00	71926	
25	BULB 12V 21W	1	4AA-84747-00	71930	
26	LENS TURN INDICATE LIGHT,L,FR	1	4AA-83312-00	71620	
27	LENS TURN INDICATE LIGHT,R,FR	1	4AA-83322-00	71624	
28	LENS TURN INDICATE LIGHT,L,RR	1	4AA-83313-00	71621	
29	LENS TURN INDICATE LIGHT,R,RR	1	4AA-83323-00	71625	
30	LENS POSITION LIGHTS,L,RR	1	4AA-84713-00	71633	
31	LENS POSITION LIGHTS,R,RR	1	4AA-84716-00	71636	
32	LENS TURN INDICATE LIGHT,L,FR	1	4AA-84743-00	71637	
33	LENS TURN INDICATE LIGHT,R,FR	1	4AA-84746-00	71640	

## ELECTRICAL SYSTEM

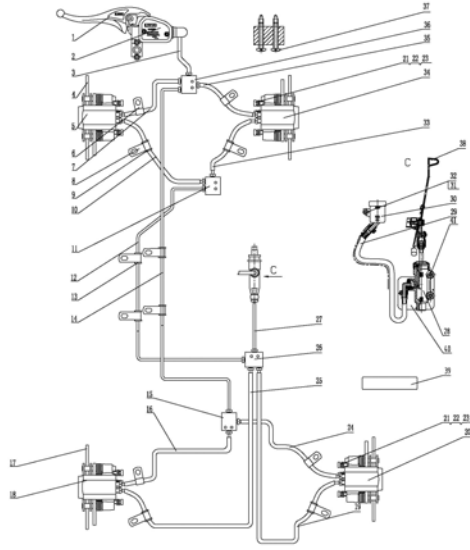
**CROSSFIRE**  
MOTORCYCLES



45.46.47.48

REF. No.	DESCRIPTION	QTY	SPEC 1	CODE	SPEC 2
1	WIRING HARNESS (EFI FOR EUROPE)	1	4AA-82500-00	71606	
1	WIRING HARNESS (EFI FOR USA)	1	4AA-82500-10	71608	
1	WIRING HARNESS (EFI FOR TRANCE)	1	4AA-82500-02	71607	
2	STARTER POSITIVE WIRE 1	1	4AA-82502-00	71610	
3	STARTER POSITIVE WIRE 2	1	4AA-82503-00	71611	
4	STARTER NEGATIVE WIRE 1	1	4AA-82504-00	71612	
5	STARTER NEGATIVE WIRE 2	1	4AA-82505-00	71613	
6	SPEED SENSOR	1	4AL-83700-00	32020	LH260ATV.19.16
7	FUEL SENSOR	1	4AA-85752-00	71641	
8	POWER DOOR LOCKS (USED FOR EUROPE)	1	4AB-82510-00	70907b	LH520ATV.23.4a
8	POWER DOOR LOCKS (USED FOR USA)	1	4AA-82511-00	71614	
8	POWER DOOR LOCKS (USED FOR GERMAN)	1	4AA-82520-00	71615	
9	EMERGENCY SWITCH (FOR EUROPE)	1	4AL-82100-00	70425	LH520ATV.23.7
11	ACCESSORY SOCKET ASSY	1	4AA-82510-00	71973	LH700ATV.23.20
12	CAP	1	4AA-82506-00	70401	LH520ATV.23.12.1
13	ENCLOSURES	1	4AA-82507-00	70402	LH520ATV.23.12.2
14	RETAINING NUT	1	4AA-82508-00	70403	LH520ATV.23.12.3
15	REAR REFLECTOR	2	4AA-85141-00	40319	LH150T.2.3
16	LEFT HANDLE SWITCH (FOR EUROPE)	1	4AL-83900-00	30114e	LH260ATV.19.6(E)
	LEFT HANDLE SWITCH (FOR USA)	1	4AL-83900-10	22008	LH260ATV.19.7
17	HORN (USED FOR EUROPE)	1	4AB-83300-00	70404	LH520ATV.23.13
18	FLASHER RELAY ASSY (FOR EUROPE)	1	3AE-83350-00	32028	LYM100T.12.12
19	BRAKE SWITCH	1	4AB-82100-00	70405a	LH520ATV.23.14f
20	REVERSE GEAR WARNING	2	4CA-83351-00	71976	LH800U-D.23.24
21	ELECTRICAL DUMPAGE SWITCH	1	4AB-82160-00	70968	LH520ATV.23E.33
22	STARTING RELAY	1	4AA-81940-00	71602	
23	TIE	20	4AA-819A1-00	25530	ZD150X3.5
24	REGULATOR RECTIFIER	1	4AA-81960-00	71603	
25	ELECTROMAGNETIC VALVE SWITCH	2	4CA-82660-01	71934	4CA-82660-01
26	EFI WIRE	1	4AA-82590-00	71617	
27	RELAY	4	3AG-81900-00	50280	LH50QT-2.13.7
28	EFI RELAY	1	4AB-81980-00	71474	LH520ATV.23E.35
29	RELAY BOARD	1	4AB-81981-00	70831	LH520ATV.23-9
30	BATTERY (MTX30L-BS)---OPTIONAL	1	4AA-82100-00	71604	
31	BATTERY (MTX20L-BS)(PRIMARY SERVICE)	1	4AP-82100-00	70407a	LH520ATV.23E.17
32	LCD METER (USED FOR EUROPE)	1	4AA-83500-00	71626	
	LCD METER (USED FOR USA)	1	4AA-83500-10	71627	
33	SENSOR CABLE	1	4AA-82101-00	71605	
34	GEAR POSITION SWITCH	1	4AA-83901-00	71628	
35	ELECTROMAGNETIC VALVE SWITCH	1	4AA-82501-00	71609	
37	INSTRUMENT HOUSING BRACKET	1	4AB-83923-00	70880	LH520ATV.23-8
38	DIRECTION OF THE LOCK	1	4AB-82510-01	71969	LH520ATV.23.5
39	TOOLBOX LOCK	1	4AB-82510-02	71970	LH520ATV.23E.6
40	WASHER,FUEL SENSOR(USED FOR USA)	1	4AA-85753-10	71643	
40	WASHER,FUEL SENSOR(USED FOR EUROPE)	2	4AA-85753-00	71642	
41	LOCKING DIFFERENTIAL LINE	1	4AA-82560-00	71616	
42	FAN RELAR	2	4CA-12406-00	71655	
43	BRACKET,TURN INDICATE LIGHT,FR	2	4AR-84311-00	25070	LH260ATV-B.23-2
44	SQUEAL WARNING	1	4AA-83302-00	72030	2014.7.30增加
45	5 AMP FUSE	2	4AA-82510-01	72077	
46	10 AMP FUSE	8	4CH-82501-00	84273	
47	15 AMP FUSE	2	4AX-82510-02	22020	
48	30 AMP FUSE	1	4CH-82503-00	84275	

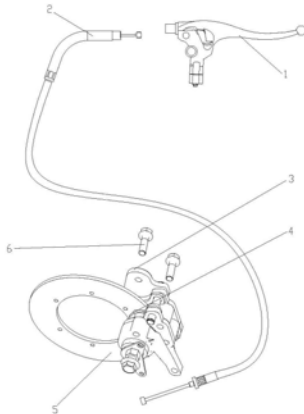
## BRAKING SYSTEM (EUROPE)



**CROSSFIRE**  
MOTORCYCLES

REF. No.	DESCRIPTION	QTY	SPEC 1	CODE	SPEC 2
1	BRKE LEVEL,L	1	4AB-25830-00	70545	LH520ATV.24-1
2	MASTER CYLINDER(SEE THE DETAIL ON P24.1(2) )	1	4AB-25831-00	70451	LH520ATV.24.1
3	HOSE A	1	4AA-25801-00	71491	4AA-25801-00
4	DISK BRAKE,FR	2	4AB-25832-00	70555	LH520ATV.24-6
5	BRAKE CALIPER,L.FR(SEE THE DETAIL ON P24.1(3) )	1	4AB-25833-00	70502	LH520ATV.24.3a
6	CLAMP	12	4AL-25834-00	21811	LH260ATV.5.1.1
7	HOSE B	1	4AA-25802-00	71936	4AA-25802-00
8	CLAIP	5	4AL-25835-00	32104	LH260ATV.5.1a-1
9	RUBBER TUBE 1	3	4AL-25836-00	32105	LH260ATV.5.1a-2
10	HOSE C	1	4AA-25803-00	71937	4AA-25803-00
11	THREE LINE COUPLER	1	4AB-25837-00	72010	LH520ATV.24-4
12	HOSE ,FRONT BRAKE	1	4AA-25812-00	71946	4AA-25812-00
13	RUBBER TUBE II	2	4AL-25838-00	32109	LH260ATV.5.1a-3
14	HOSE ,REAR BRAKE	1	4AA-25811-00	71492	4AA-25811-00
15	THREE LINE COUPLER	1	4AB-25839-00	70546	LH520ATV.24-2
16	HOSE D	1	4AA-25804-00	71938	4AA-25804-00
17	DISK BRAKE,RR	2	4AB-25840-00	70537	LH520ATV.24.8
18	BRAKE CALIPER,L.RR(SEE THE DETAIL ON P24.1(5) )	1	4AB-25841-00	70520	LH520ATV.24.6
19	HOSE E	1	4AA-25805-00	71939	4AA-25805-00
20	BRAKE CALIPER,R.RR(SEE THE DETAIL ON P24.1(6) )	1	4AB-25842-00	70536	LH520ATV.24.7
21	BOLT M8X25	8	B15L30825R	10105	GB5782
22	SPRING WASHER 8	8	B651308000	10106	GB/T93
23	WASHER 8	8	B631308000	10068	GB/T97.1
24	HOSE F	1	4AA-25806-00	71940	4AA-25806-00
25	HOSE H	1	4AA-25807-00	71941	4AA-25807-00
26	FOUR LINE COUPLER	2	4AB-25843-00	70548	LH520ATV.24-3
27	HOSE I	1	4AA-25808-00	71942	4AA-25808-00
28	REAR BRAKE CYLINDER(SEE THE DETAIL ON P24.1(4) )	1	4AB-25844-00	70481	LH520ATV.24.2
29	RESERVOIR HOSE	1	4AA-25815-00	71495	
30	RESERVOIR	1	4AB-25845-00	70496	LH520ATV.24.25
31	NUT M5	1	B51L30500R	10109	GB/T6187
32	BOLT M5X12	1	B11L30512R	10108	GB/T16674.1
33	HOSE J	1	4AA-25809-00	71943	4AA-25809-00
34	BRAKE CALIPER,R.FR(SEE THE DETAIL ON P24.1(1) )	1	4AB-25846-00	70505	LH520ATV.24.4a
35	HOSE K	1	4AA-25810-00	71944	4AA-25810-00
36	FOUR LINE COUPLER	2	4AB-25843-00	70548	LH520ATV.24-3
37	SCREW M5X30	8	B23L20530R	10270W	GB/T818
38	PEDAL,BRAKE ASSY.	1	4AA-25850-00	71503	4AA-25850-00
39	INSULATION PAD, RESERVOIR HOSE	1	4AA-25813-00	71947	4AA-25813-00
40	ADIABATIC PELLICLE, RESERVOIR HOSE	1	4AA-25814-00	71494	4AA-25814-00
41	BOLT M6X35	2	B11L30635R	10186B	GB/T16674.1

## AUXILIARY BRAKE (EUROPE)

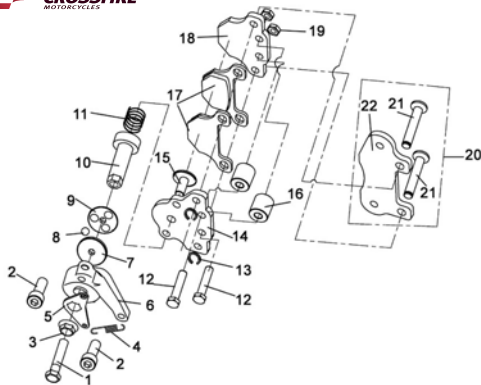


**CROSSFIRE**  
MOTORCYCLES

REF. No.	DESCRIPTION	QTY	SPEC 1	CODE	SPEC 2
1	MASTER CYLINDER(WITH LEVER)	1	4AB-262N1-00	70636	LH520ATV.27.1
2	BRACK CABLE	1	4AB-262N2-00	70637	LH520ATV.27.2
3	BRACK CALIPER(SEE THE DETAIL ON P24.2(1) )	1	4AB-262N3-00	70638	LH520ATV.27.3
4	DISK BRAKE	1	4AB-2621N-00	70643	LH520ATV.27.3-1
5	INSIDE AND OUTSIDE PAD	2	4AR-262N3-02	26291	LH260ATV-B.26.2.1
6	BOLT M8X40	2	B11C30840R	10218	GB/T16674.1

## (1) BRAKE CALIPER

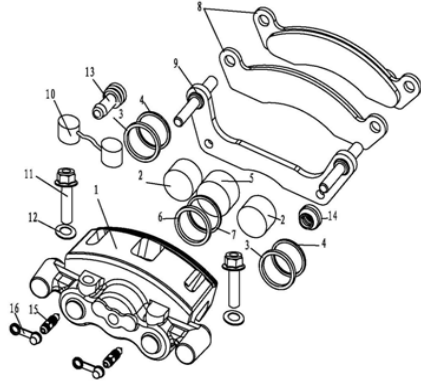
**CROSSFIRE**  
MOTORCYCLES



REF. No.	DESCRIPTION	QTY	SPEC 1	CODE	SPEC 2
1	BOLT	1	4AR-262N1-00	26293	LH260ATV-B.26.2-1
2	BOLT M8X25	2	B22A30825R	10276	GB/T70.1 ZJ610.03-05
3	NUT	1	B53L30800R	10080	GB/T6177 M8
4	SPRING	1	4AR-262N6-00	27037	LH260ATV-B.26.2-8
5	ROCKER	1	4CC-262N1-00	26877	LH300CUV.26.1.1-1
6	BRAKE CALIPER SHELL	1	4CC-262N7-00	26878	LH300CUV.26.1.1-2
7	UP RING	1	4AR-262N5-00	26296	LH260ATV-B.26.2-5
8	BALL	3	4AA-262N9-00	10733	GB/T308
9	DOWN RING	1	4AR-262N8-00	26297	LH260ATV-B.26.2-6
10	MIDDLE STAFF	1	4AR-262N3-00	26295	LH260ATV-B.26.2-3
11	SPRING	1	4AR-262N7-00	26298	LH260ATV-B.26.2-7
12	BOLT M8X40	2	B18L30840R	26271	GB5780-86
13	CLIP	2	B753308020	27032	GB/T894.1-1986
14	UP BRACKET	1	4AB-2622N-00	71045	LH520ATV.27.3-2
15	STAFF	1	4CC-262N2-00	26879	LH300CUV.26.1.1-3
16	COLLAR	2	4CC-262N3-00	26880	LH300CUV.26.1.1-4
17	BRAKE PAD	2	4AR-262N3-02	26291	LH260ATV-B.26.2.1
18	BRACKET	1	4AB-2623N-00	71046	LH520ATV.27.3-3
19	NUT	2	B59L30800R	26238	GB /T6172
20	GUIDE STAFF ASSY	1	4CC-262N4-00	26874	LH300CUV.26.1.1.1
21	GUIDE STAFF	2	4CC-262N5-00	26875	LH300CUV.26.1.1.1-1
22	ORIENTATION BRACKET	1	4CC-262N6-00	26876	LH300CUV.26.1.1.1-2

## BRAKE CALIPER R FR (EUROPE)

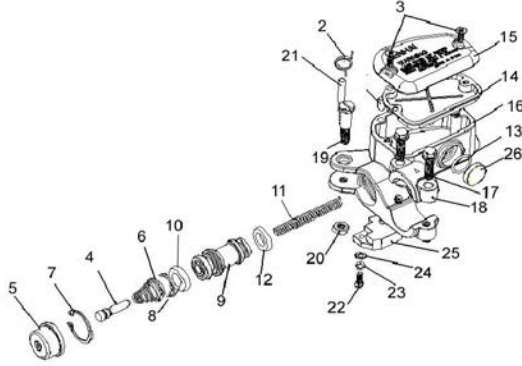
**CROSSFIRE**  
MOTORCYCLES



REF. No.	DESCRIPTION	QTY	SPEC 1	CODE	SPEC 2
1	CYLINDER BODY	1	4AB-258M1-00	70508	LH520ATV.24.4a-1
2	PISTON 25X31	2	4AB-258M2-00	70513	LH520ATV.24.4a-2
3	AIRPROOF RING	2	4AB-258M3-00	70514	LH520ATV.24.4a-3
4	DUSTPROOF OF PISTON	2	4AB-258M4-00	70515	LH520ATV.24.4a-4
5	PISTON 34X31	1	4AB-258M6-00	70516	LH520ATV.24.4a-6
6	AIRPROOF RING	1	4AB-258M7-00	70517	LH520ATV.24.4a-7
7	DUSTPROOF OF PISTON	1	4AB-258M8-00	70518	LH520ATV.24.4a-8
8	INSIDE AND OUTSIDE PAD	2	4AB-258N2-00	70507	LH520ATV.24.4a.2
9	BRACKET	1	4AB-258M9-00	70519	LH520ATV.24.4a-9
10	JOINT PIPE	1	4AB-258N1-00	70506	LH520ATV.24.4a.1
11	JOINT BOLT	2	4AB-258A0-00	70509	LH520ATV.24.4a-10
12	WASHER	2	4AB-258A1-00	70510	LH520ATV.24.4a-11
13	GUIDE POLE SHEATH	1	4AB-258A2-00	70511	LH520ATV.24.4a-12
14	DUSTPROOF OF GUIDE POLE	1	4AB-258A3-00	70512	LH520ATV.24.4a-13
15	BLOWHOLE	2	4CC-258M8-00	26838	LH300CUV.24.1-8
16	DUSTPROOF COVER OF BLOWHOLE	2	4CC-258M9-00	26839	LH300CUV.24.1-9

## MASTER CYLINDER – BRAKING SYSTEM (EUROPE)

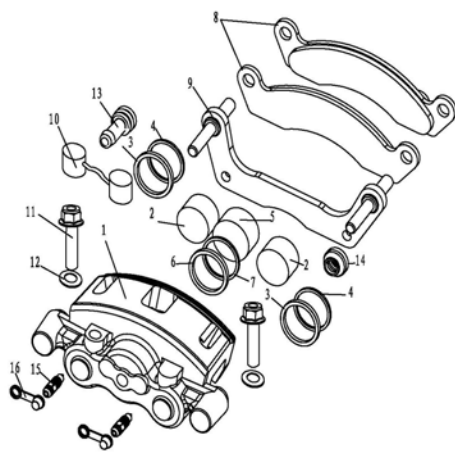
**CROSSFIRE**  
MOTORCYCLES



REF. No.	DESCRIPTION	QTY	SPEC 1	CODE	SPEC 2
2	SPRING	1	4AB-258E2-00	70467	LH520ATV.24.1-2
3	BOLT M4X12	2	B24L20412R	10175	GB819-M4X12
4	PUSH ROD	1	4AB-258E3-00	70469	LH520ATV.24.1-3
5	DUSTPROOF COVER OF PISTON	1	4AB-258E4-00	70471	LH520ATV.24.1-4
6	CONIFORM COMPRESSION	1	4AB-258E5-00	70473	LH520ATV.24.1-5
7	CLIP	1	4AB-258E6-00	70474	LH520ATV.24.1-6
8	FENDER	1	4AB-258E7-00	70476	LH520ATV.24.1-7
9	PISTON OF OIL PUMP	1	4AB-258E8-00	70478	LH520ATV.24.1-8
10	POST-RUBBER RING	1	4AB-258E9-00	70480	LH520ATV.24.1-9
11	SPRING	1	4AB-258F0-00	70456	LH520ATV.24.1-10
12	EX-RUBBER RING	1	4AB-258F1-00	70457	LH520ATV.24.1-11
13	O-RING	1	4AB-258F2-00	70458	LH520ATV.24.1-12
14	OIL TANK GASKET	1	4AB-258F3-00	70459	LH520ATV.24.1-13
15	CAP	1	4AB-258F4-00	70460	LH520ATV.24.1-14
16	OIL PUMP BODY	1	4AB-258F5-00	70461	LH520ATV.24.1-15
17	BOLT M6X20	2	B11L30620R	10110	GB/T16674.1
18	LOCATING CAP (WITH REAR MIRROR SET)	1	4AB-258F6-00	70462	LH520ATV.24.1-16
19	BOLT	1	4AB-258F7-00	70463	LH520ATV.24.1-17
20	NUT M6	1	B57L30600R	10104	GB/T6184
21	PIN	1	4AB-258F8-00	70464	LH520ATV.24.1-18
22	BOLT M4X12	1	B2BL00412R	10214	GB/T823
23	WASHER 4	1	B671304000	10172	GB/T848
24	WASHER SPRING 4	1	B683304000	10173	GB/T859
25	BRAKE LAMP SWITCH	1	4AB-258G1-00	70452	LH520ATV.24.1.1
26	MIRROR	1	4AB-258F9-00	70465	LH520ATV.24.1-19

## BRAKE CALIPER L FR (EUROPE)

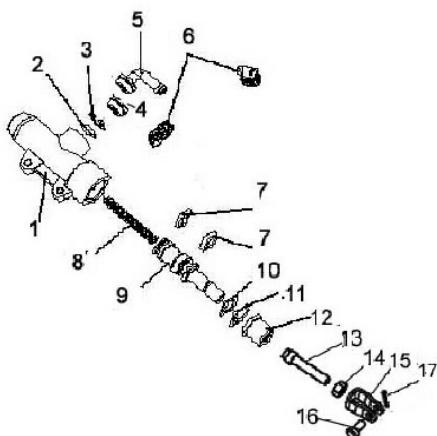
**CROSSFIRE**  
MOTORCYCLES



REF. No.	DESCRIPTION	QTY	SPEC 1	CODE	SPEC 2
1	CYLINDER BODY	1	4AB-258M1-10	70504	LH520ATV.24.3a-1
2	PISTON 25X31	2	4AB-258M2-00	70513	LH520ATV.24.4a-2
3	AIRPROOF RING	2	4AB-258M3-00	70514	LH520ATV.24.4a-3
4	DUSTPROOF OF PISTON	2	4AB-258M4-00	70515	LH520ATV.24.4a-4
5	PISTON 34X31	1	4AB-258M6-00	70516	LH520ATV.24.4a-6
6	AIRPROOF RING	1	4AB-258M7-00	70517	LH520ATV.24.4a-7
7	DUSTPROOF OF PISTON	1	4AB-258M8-00	70518	LH520ATV.24.4a-8
8	INSIDE AND OUTSIDE PAD	2	4AB-258N2-00	70507	LH520ATV.24.4a.2
9	BRACKET	1	4AB-258M9-00	70519	LH520ATV.24.4a-9
10	JOINT PIPE	1	4AB-258N1-00	70506	LH520ATV.24.4a.1
11	JOINT BOLT	2	4AB-258A0-00	70509	LH520ATV.24.4a-10
12	WASHER	2	4AB-258A1-00	70510	LH520ATV.24.4a-11
13	GUIDE POLE SHEATH	1	4AB-258A2-00	70511	LH520ATV.24.4a-12
14	DUSTPROOF OF GUIDE POLE	1	4AB-258A3-00	70512	LH520ATV.24.4a-13
15	BLOWHOLE	2	4CC-258M8-00	26838	LH300CUV.24.1-8
16	DUSTPROOF COVER OF BLOWHOLE	2	4CC-258M9-00	26839	LH300CUV.24.1-9

## REAR BRAKE CYLINDER (EUROPE)

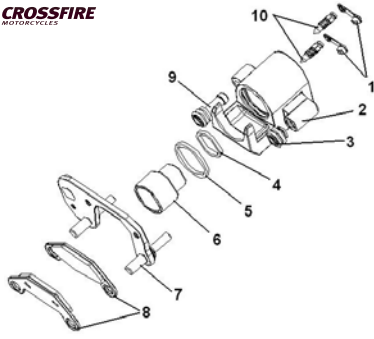
**CROSSFIRE**  
MOTORCYCLES



REF. No.	DESCRIPTION	QTY	SPEC 1	CODE	SPEC 2
1	CYLINDER BODY	1	4AB-2581A-00	70484	LH520ATV.24.2-1
2	O-RING	1	4AB-2582A-00	70491	LH520ATV.24.2-2
3	CLIP	1	4AB-2583A-00	70493	LH520ATV.24.2-3
4	DUSTPROOF RING	1	4AB-2584A-00	70495	LH520ATV.24.2-4
5	CONNECT, CYLINDER	1	4AB-2585A-00	70497	LH520ATV.24.2-5
6	CLIP	2	4AB-2586A-00	70498	LH520ATV.24.2-6
7	PISTON RUBBER RING	2	4AB-2587A-00	70499	LH520ATV.24.2-7
8	PISTON SPRING	1	4AB-2588A-00	70500	LH520ATV.24.2-8
9	PISTON	1	4AB-2589A-00	70501	LH520ATV.24.2-9
10	WASHER	1	4AB-2580A-00	70485	LH520ATV.24.2-10
11	CIRCLIP	1	4AB-2581B-00	70486	LH520ATV.24.2-11
12	DUSTPROOF COVER	1	4AB-2582B-00	70487	LH520ATV.24.2-12
13	SLEEVE	1	4AB-2583B-00	70488	LH520ATV.24.2-13
14	NUT	1	B51L30800R	10079	GB/T6187
15	JOINT, BRAKE ROD	1	4AB-258H1-00	70482	LH520ATV.24.2.1
16	PIN AXLE	1	4AB-2584B-00	70489	LH520ATV.24.2-14
17	PIN 25X12	1	B377203120	70052	GB/T91

## BRAKE CALIPER L RR (EUROPE)

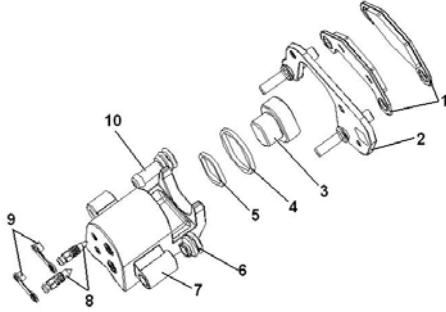
CROSSFIRE  
MOTORCYCLES



REF. No.	DESCRIPTION	QTY	SPEC 1	CODE	SPEC 2
1	DUSTPROOF COVER OF BLOWHOLE	2	4CC-258M9-00	26839	LH300CUV.24.1-9
2	CYLINDER BODY,L	1	4AB-258W1-00	70526	LH520ATV.24.6-1
3	DUSTPROOF COVER OF THE BELOW AXLE	1	4AB-258W9-00	70535	LH520ATV.24.6-9
4	SMALL AIRPROOF RING	1	4AB-258W3-00	70528	LH520ATV.24.6-3
5	AIRPROOF RING	1	4AB-258W4-00	70529	LH520ATV.24.6-4
6	PISTON	1	4AB-258W2-00	70527	LH520ATV.24.6-2
7	BRACKET	1	4AB-258D1-00	70521	LH520ATV.24.6.1
8	INSIDE AND OUTSIDE PAD	2	4AB-258D2-00	70525	LH520ATV.24.6.2
9	DUSTPROOF COVER OF THE ABOVEAXLE	1	4AB-258W5-00	70530	LH520ATV.24.6-5
10	BLOWHOLE	2	4CC-258M8-00	26838	LH300CUV.24.1-8

## BRAKE CALIPER R RR (EUROPE)

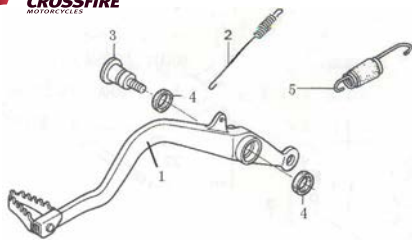
CROSSFIRE  
MOTORCYCLES



REF. No.	DESCRIPTION	QTY	SPEC 1	CODE	SPEC 2
1	INSIDE AND OUTSIDE PAD	2	4AB-258D2-00	70525	LH520ATV.24.6.2
2	BRACKET	1	4AB-258D1-00	70521	LH520ATV.24.6.1
3	CALIPER PISTON	1	4AB-258W2-00	70527	LH520ATV.24.6-2
4	BIG SEALING RING	1	4AB-258W4-00	70529	LH520ATV.24.6-4
5	SMALL SEALING RING	1	4AB-258W3-00	70528	LH520ATV.24.6-3
6	DUSTPROOF COVER OF THE BELOW AXLE	1	4AB-258W9-00	70535	LH520ATV.24.6-9
7	CALIPER BODY,R	1	4AB-258Y1-00	70878	LH520ATV.24.7-1
8	BLOWHOLE	2	4CC-258M8-00	26838	LH300CUV.24.1-8
9	DUSTPROOF COVER OF BLOWHOLE	2	4CC-258M9-00	26839	LH300CUV.24.1-9
10	DUSTPROOF COVER OF THE ABOVEAXLE	1	4AB-258W5-00	70530	LH520ATV.24.6-5

## PEDAL, BRAKE

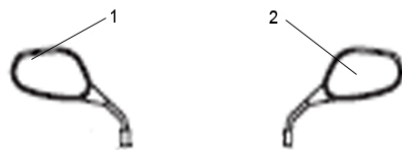
CROSSFIRE  
MOTORCYCLES



REF. No.	DESCRIPTION	QTY	SPEC 1	CODE	SPEC 2
1	PEDAL,BRAKE	1	4AA-25860-01	71504	
2	SPRING,RR,BRAKE(L185MM)	1	4AA-27204-00	71517	
3	SHAFT,BRAKE PIVOT	1	4AA-25820-00	71497	
4	SEAL 15X20X2.5	2	BYF152003R	70540	LH520ATV.24.9.2
5	SPRING,STOP SWITCH	1	4AB-25851-00	70541	LH520ATV.24.9-1

## REAR VIEW MIRROR

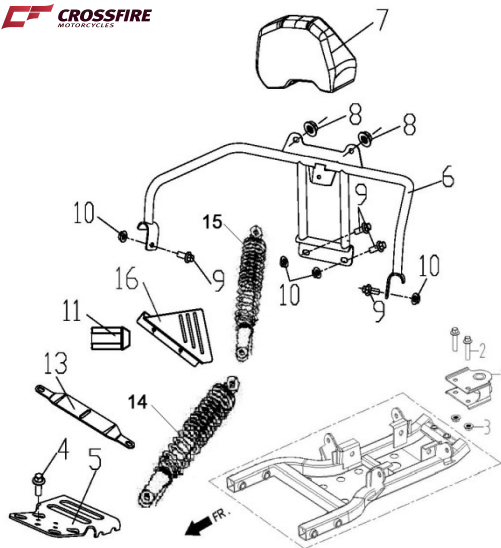
CROSSFIRE  
MOTORCYCLES



REF. No.	DESCRIPTION	QTY	SPEC 1	CODE	SPEC 2
1	REAR VIEW MIRROR, L	1	3AB-26291-00	71955	LH250T-B.8.1
2	REAR VIEW MIRROR, R	1	3AB-26292-00	71956	LH250T-B.8.2

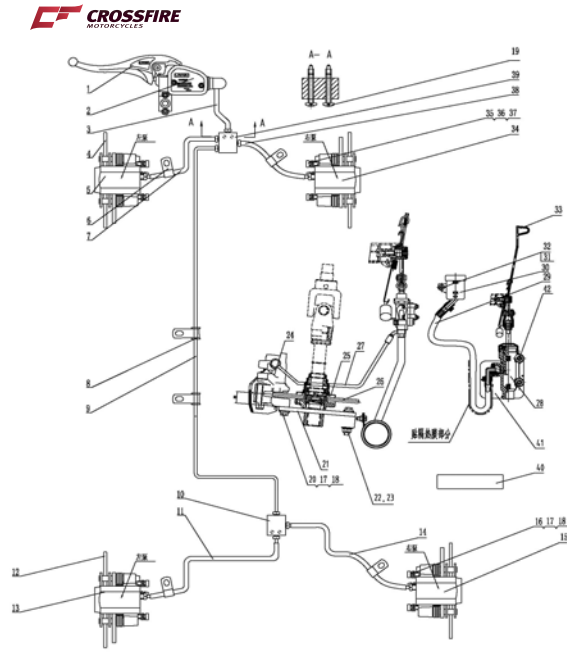
## ACCESSORY

CROSSFIRE  
MOTORCYCLES



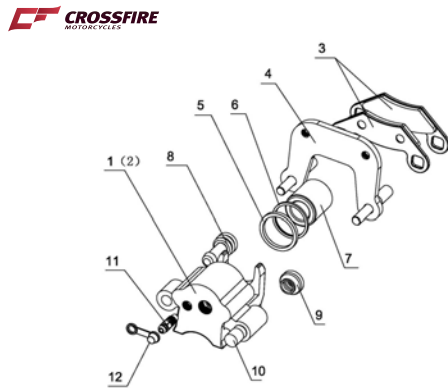
REF. No.	DESCRIPTION	QTY	SPEC 1	CODE	SPEC 2
1	HITCH BALL BRACKET (ACCESSARY)	1	4AB-24890-00	70680	LH520ATV.30.1
2	BOLT M10X1.25X53(ACCESSARY)	2	B12C31053A	70013	GB/T16674.2
3	NUT M10X1.25 (ACCESSARY)	2	B52L31000R	10015B	GB/T6187.2
4	BOLT M6X16	4	B11L30616R	10183B	GB/T16674.1
5	RETRACTOR MOUNTING BRACKET	1	4AA-2842M-00	71579	
6	REAR BACKREST WELD ASSEMBLY	1	4AA-24850-00	71439	
7	BACKREST	1	4AA-24720-00	71432	
8	NUT M6	3	4AA-24890-00	71440	
9	BOLT M8X20	4	B11L30820R	10081	GB/T16674.1
10	NUT M8	4	B51L30800R	10079	GB/T6187
11	NUT		4AA-2532N-00	71488	
12	RETRACTOR CONTROLLER PLATE	1	4AA-2842C-00	71577	
13	RETRACTOR BRANKET	1	4AA-2842D-00	71578	
14	SHOCK ABSORBER ,R(ADJUSTED)	2	4AM-22210-00	70690A	LH520ATV-B.30.4
15	SHOCK ABSORBER ,F(ADJUSTED)	2	4AM-23110-00	72008	LH520ATV-B.30.5
16	BRACKET, COOLANT RECOVERY TANK	1	4AA-21218-00	72012	2014.6.24增加

## BRAKING SYSTEM (USA)



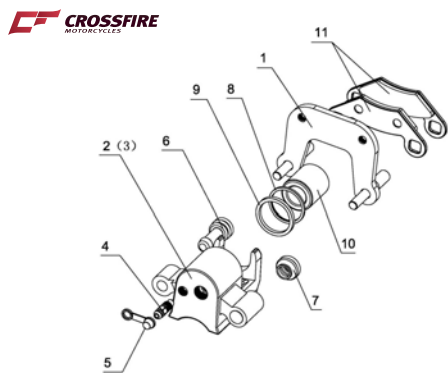
REF. No.	DESCRIPTION	QTY	SPEC 1	CODE	SPEC 2
1	MASTER CYLINDER	1	4AB-25870-00	70560	LH520ATV.25.1
2	BRKE LEVEL,L	1	4AB-25871-00	70618	LH520ATV.25-1
3	HOSE A	1	4AA-25801-00	71491	
4	DISK BRAKE,FR	2	4AB-25872-00	70620	LH520ATV.25-2
5	BRAKE CALIPER,L.FR	1	4AB-25873-00	70586	LH520ATV.25.2
6	CLAMP	8	4AL-25834-00	21811	LH260ATV.5.1.1
7	HOSE L,FR	1	4AA-25821-00	71498	
8	RUBBER TUBE II	1	4AL-25838-00	32109	LH260ATV.5.1a-3
9	HOSE ,REAR BRAKE	1	4AA-25811-00	71492	
10	THREE LINE COUPLER	1	4AB-25839-00	70546	LH520ATV.24-2
11	HOSE L,RR	1	4AA-25822-00	71499	
12	DISK BRAKE,RR	2	4AB-25840-00	70537	LH520ATV.24.8
13	BRAKE CALIPER,L,RR	1	4AB-25875-00	70589	LH520ATV.25.3
14	HOSE R,RR	1	4AA-25824-00	71501	
15	BRAKE CALIPER,R,RR	1	4AB-25876-00	70595	LH520ATV.25.5
16	BOLT M8X25	4	B15L30825R	10105	GB/T5782
17	WASHER 8	4	B631308000	10068	GB/T97.1
18	CUSHION 6	4	B651308000	10106	GB/T93
19	SCREW M5x15	2	B23L30515R	10111	GB/T818
20	BOLT M8X30	2	B15L30830R	70028	GB/T5782
21	PLATE	1	4AB-25877-00	70622	LH520ATV.25-3
22	NUT M8	2	B51L30800R	10079	GB/T6187
23	BOLT M8X45	2	B11L30845R	10055	GB/T16674.1
24	CENTRALLY DISC BRAKE CALIPER	1	4AB-25878-00	70597	LH520ATV.25.7
25	SCREW	5	4AB-25879-00	70624	LH520ATV.25-4
26	BRAKE DISC	1	4AB-25880-00	70614	LH520ATV.25.8
27	HOSE Z	1	4AA-25825-00	71502	
28	REAR BRAKE CYLINDER	1	4AB-25881-00	70561	LH520ATV.25.10
29	RESERVOIR HOSE	1	4AA-25815-00	71495	
30	RESERVOIR	1	4AB-25882-00	70581	LH520ATV.25.12
31	NUT M5	1	B51L30500R	10109	GB/T6187
32	BOLT M5x12	1	B11L30512R	10108	GB/T16674.1
33	PEDAL,BRAKE ASSY.	1	4AA-25850-00	71503	
34	BRAKE CALIPER,R.FR	1	4AB-25883-00	70582	LH520ATV.25.13
35	BOLT M8X25	4	B15L30825R	10105	GB/T5782
36	WASHER 8	4	B631308000	10068	GB/T97.1
37	CUSHION 6	4	B651308000	10106	GB/T93
38	HOSER,FR	1	4AA-25823-00	71500	
39	FOUR LINE COUPLER	1	4AB-25843-00	70548	LH520ATV.24-3
40	BOLT M6X30	2	B11L30630R	10182B	GB/T16674.1
41	INSULATION PAD, RESERVOIR HOSE	1	4AA-25813-10	71493	
42	ADIABATIC PELLICLE, RESERVOIR HOSE	1	4AA-25814-00	71494	
43	BOLT M6X20	2	B11L30620R	10110	GB/T16674.1
44	BOLT M6X16	3	B11L30616R	10183B	GB/T16674.1

## BRAKE CALIPER L FR (USA)



REF. No.	DESCRIPTION	QTY	SPEC 1	CODE	SPEC 2
1	CYLINDER BODY L	1	4CC-258A1-00	26830	LH300CUV.24.1-1
2	CYLINDER BODY R	1	4CC-258A1-10	71047	LH300CUV.24.13-1
3	INSIDE AND OUTSIDE PAD	2	4AB-258GI-00	70588	LH520ATV.25.2.2
4	BRACKET	1	4AB-258G2-00	70587	LH520ATV.25.2.1
5	DUSTPROOF COVER OF PISTON	1	4CC-258A2-00	26832	LH300CUV.24.1-2
6	AIRPROOF RING	1	4CC-258A3-00	26833	LH300CUV.24.1-3
7	PISTON 34X35	1	4CC-258A4-00	26834	LH300CUV.24.1-4
8	GUIDE POLE SHEATH	1	4CC-258A5-00	26835	LH300CUV.24.1-5
9	BIG GUIDE POLE SHEATH	1	4CC-258A6-00	26836	LH300CUV.24.1-6
10	BOLT	1	4CC-258A7-00	26837	LH300CUV.24.1-7
11	BLOWHOLE	1	4CC-258A8-00	26838	LH300CUV.24.1-8
12	DUSTPROOF COVER OF BLOWHOLE	1	4CC-258A9-00	26839	LH300CUV.24.1-9

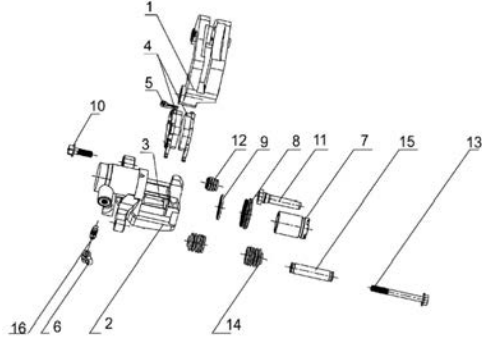
## BRAKE CALIPER R FR (USA)



REF. No.	DESCRIPTION	QTY	SPEC 1	CODE	SPEC 2
1	BRACKET	1	4AB-258D1-00	70521	LH520ATV.24.6.1
2	CYLINDER BODY L	1	4AB-258H1-00	70590	LH520ATV.25.3-1
3	CYLINDER BODY R	1	4AB-258H2-00	70596	LH520ATV.25.5-1
4	BLOWHOLE	1	4CC-258A8-00	26838	LH300CUV.24.1-8
5	DUSTPROOF COVER OF BLOWHOLE	1	4CC-258A9-00	26839	LH300CUV.24.1-9
6	GUIDE POLE SHEATH	1	4AB-258W5-00	70530	LH520ATV.24.6-5
7	DUSTPROOF COVER OF GUIDE POLE	1	4AB-258W9-00	70535	LH520ATV.24.6-9
8	AIRPROOF RING	1	4AB-258H3-00	70591	LH520ATV.25.3-2
9	DUSTPROOF COVER OF PISTON	1	4AB-258H4-00	70592	LH520ATV.25.3-3
10	PISTON	1	4AB-258H5-00	70593	LH520ATV.25.3-4
11	INSIDE AND OUTSIDE PAD	1	4AB-258GI-00	70588	LH520ATV.25.2.2

## BRAKE CALIPER MIDDLE (USA)

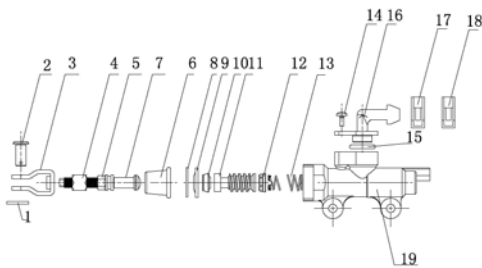
**CROSSFIRE**  
MOTORCYCLES



REF. No.	DESCRIPTION	QTY	SPEC 1	CODE	SPEC 2
1	BRACKET	1	4AB-258JI-00	70599	LH520ATV.25.7-1
2	CALIPER BODY	1	4AB-258J2-00	70606	LH520ATV.25.7-2
3	BRACKET	2	4AB-258J3-00	70607	LH520ATV.25.7-3
4	INSIDE AND OUTSIDE PAD	1	4AB-258G3-00	70598	LH520ATV.25.7.1
5	SPRING PATCH	1	4AB-258J4-00	70608	LH520ATV.25.7-4
6	DUSTPROOF COVER OF BLOWHOLE	1	4AB-258K5-00	70605	LH520ATV.25.7-15
7	CALIPER PISTON	1	4AB-258J5-00	70609	LH520ATV.25.7-5
8	DUSTPROOF COVER, CALIPER PISTON	1	4AB-258J6-00	70610	LH520ATV.25.7-6
9	AIRPROOF COVER, CALIPER PISTON	1	4AB-258J7-00	70611	LH520ATV.25.7-7
10	BOLT	1	4AB-258J8-00	70612	LH520ATV.25.7-8
11	PIN AXLE	1	4AB-258J9-00	70613	LH520ATV.25.7-9
12	DUSTPROOF COVER, PIN AXLE	1	4AB-258K0-00	70600	LH520ATV.25.7-10
13	BOLT	1	4AB-258K1-00	70601	LH520ATV.25.7-11
14	AIRPROOF COVER, COLLAR	2	4AB-258K2-00	70602	LH520ATV.25.7-12
15	COLLAR	1	4AB-258K3-00	70603	LH520ATV.25.7-13
16	BLOWHOLE	1	4AB-258K4-00	70604	LH520ATV.25.7-14

## MASTER CYLINDER (USA)

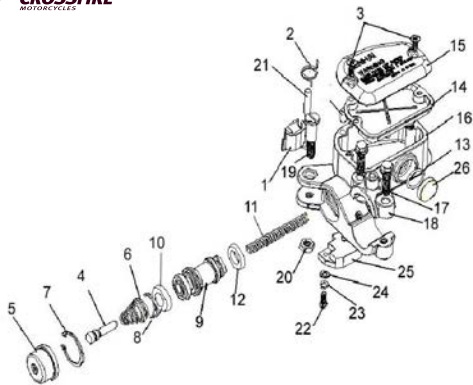
**CROSSFIRE**  
MOTORCYCLES



REF. No.	DESCRIPTION	QTY	SPEC 1	CODE	SPEC 2
1	PIN 2X14	1	B377202140		GB/T91
2	PIN AXLE	1	4AB-258K6-00	70562	LH520ATV.25.10.1
3	JOINT,BRAKE ROD	1	4AB-258L1-00	70563	LH520ATV.25.10-1
4	NUT	1	4AB-258L2-00	70572	LH520ATV.25.10-2
5	NUT	1	4AB-258L3-00	70573	LH520ATV.25.10-3
6	DUSTPROOF	1	4AB-258L4-00	70574	LH520ATV.25.10-4
7	ROD	1	4AB-258L5-00	70575	LH520ATV.25.10-5
8	CLIP	1	4AB-258L6-00	70576	LH520ATV.25.10-6
9	WASHER	1	4AB-258L7-00	70577	LH520ATV.25.10-7
10	"Y" SHARP RING 1	1	4AB-258L8-00	70578	LH520ATV.25.10-8
11	PISTON OF OIL PUMP	1	4AB-258L9-00	70579	LH520ATV.25.10-9
12	"Y" SHARP RING 2	1	4AB-258P0-00	70564	LH520ATV.25.10-10
13	SPRING	1	4AB-258P1-00	70565	LH520ATV.25.10-11
14	BOLT	1	4AB-258P2-00	70566	LH520ATV.25.10-12
15	O-RING	1	4AB-258P3-00	70567	LH520ATV.25.10-13
16	CONNRCATOR,MASTER CYLINDER	1	4AB-258P4-00	70568	LH520ATV.25.10-14
17	CLIP	1	4AB-258P5-00	70569	LH520ATV.25.10-15
18	CLIP	1	4AB-258P6-00	70570	LH520ATV.25.10-16
19	CALIPER SHELL	1	4AB-258P7-00	70571	LH520ATV.25.10-17

## LEVEL CYLINDER (USA)

**CROSSFIRE**  
MOTORCYCLES



REF. No.	DESCRIPTION	QTY	SPEC 1	CODE	SPEC 2
1	PROTECT SWITCH	1	4AB-258FA-00	70455	LH520ATV.24.1-1
2	SPRING	1	4AB-258E2-00	70467	LH520ATV.24.1-2
3	BOLT M4X12	2	B24L20412R	10175	GB819-M4X12
4	PUSH ROD	1	4AB-258E3-00	70469	LH520ATV.24.1-3
5	DUSTPROOF COVER OF PISTON	1	4AB-258E4-00	70471	LH520ATV.24.1-4
6	CONIFORM COMPRESSION	1	4AB-258E5-00	70473	LH520ATV.24.1-5
7	CLIP	1	4AB-258E6-00	70474	LH520ATV.24.1-6
8	FENDER	1	4AB-258E7-00	70476	LH520ATV.24.1-7
9	PISTON OF OIL PUMP	1	4AB-258E8-00	70478	LH520ATV.24.1-8
10	POST-RUBBER RING	1	4AB-258E9-00	70480	LH520ATV.24.1-9
11	SPRING	1	4AB-258F0-00	70456	LH520ATV.24.1-10
12	EX-RUBBER RING	1	4AB-258F1-00	70457	LH520ATV.24.1-11
13	O-RING	1	4AB-258F2-00	70458	LH520ATV.24.1-12
14	OIL TANK GASKET	1	4AB-258F3-00	70459	LH520ATV.24.1-13
15	CAP	1	4AB-258F4-00	70460	LH520ATV.24.1-14
16	OIL PUMP BODY	1	4AB-258F5-00	70461	LH520ATV.24.1-15
17	BOLT M6X20	2	B11L30620R	10530	GB/T16674.1
18	LOCATING CAP (WITH REAR MIRROR SET)	1	4AB-258F6-00	70462	LH520ATV.24.1-16
19	BOLT	1	4AB-258F7-00	70463	LH520ATV.24.1-17
20	NUT M6	1	B57L30600R	10104	GB/T6184
21	PIN	1	4AB-258F8-00	70464	LH520ATV.24.1-18
22	BOLT M4X12	1	B2BL00412R	10214	GB/T823
23	WASHER 4	1	B671304000	10172	GB/T848
24	WASHER SPRING 4	1	B683304000	10173	GB/T859
25	BRAKE LAMP SWITCH	1	4AB-258G1-00	70452	LH520ATV.24.1.1
26	MIRROR	1	4AB-258F9-00	70465	LH520ATV.24.1-19