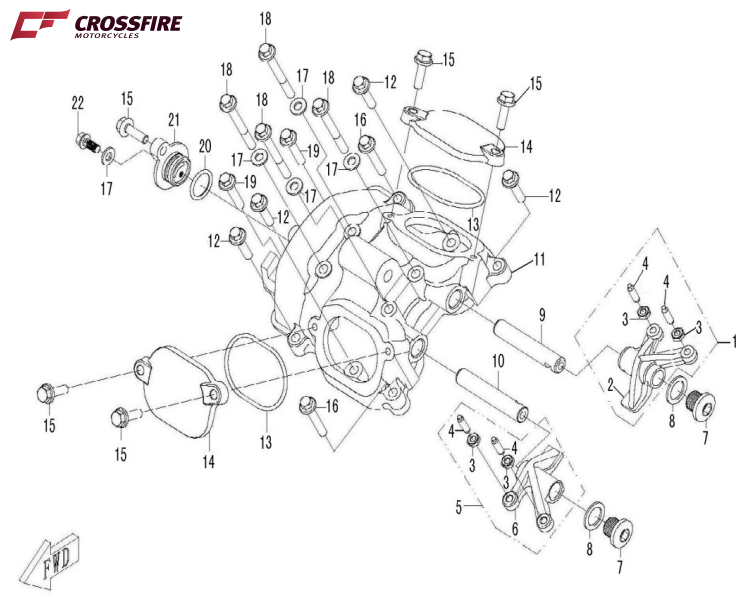


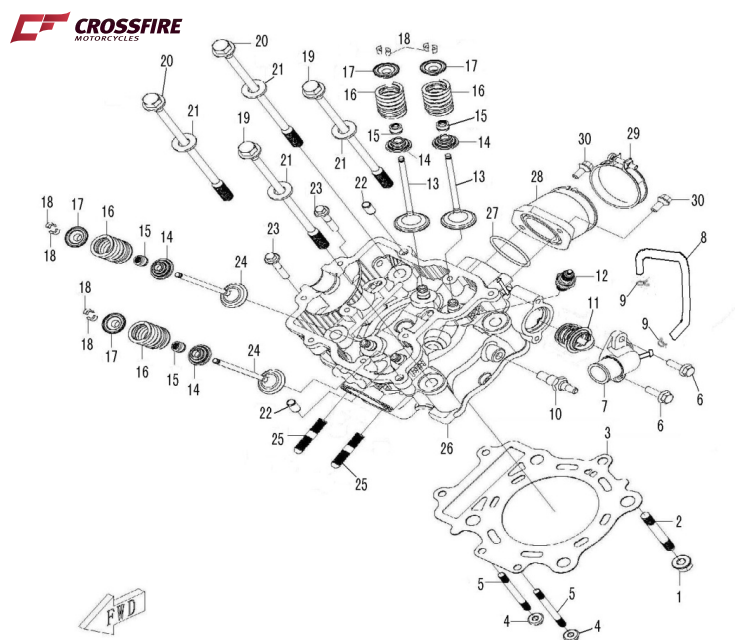
Rubicon 500 Engine Parts Catalogue

CYLINDER HEAD COVER



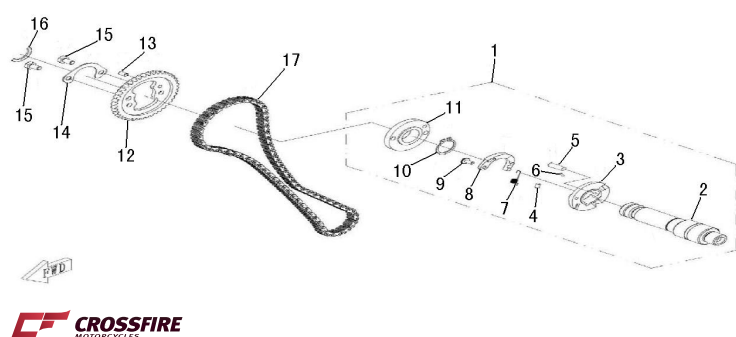
REF.No.	PART No.	DESCRIPTION	QTY	SPEC
1	35143	INTAKE ROCKER ARM COMP	1	1BE-12150-00
2	35144	INTAKE ROCKER ARM VALVE	1	1BE-12151-00
3	35146	ADJUSTING NUT VALVE	4	1BE-12158-00
4	35147	ADJUSTING SCREW VALVE	4	1BE-12159-00
5	35148	EXHAUST ROCKER ARM COMP	1	1BE-12160-00
6	35149	EXHAUST ROCKER ARM VALVE	1	1BE-12161-00
7	35150	BOLT M14X1.25X12	2	1BE-12162-00
8	35215	WASHER 14	2	1BE-15107-00
9	35142	INTAKE ROCKER SHAFT	1	1BE-12146-00
10	35145	EXHAUST ROCKER SHAFT	1	1BE-12156-00
11	35110	CYLINDER HEAD COVER (supply together with 35096)	1	1BE-11191-00
12	10187	BOLT M6X25	4	B11L60625R
13	35111	GASKET	2	1BE-11192-00
14	35107	VALVE ADJUST COVER	2	1BE-11186-00
15	10110	BOLT M6X20	5	B11L60620R
16	10186	BOLT M6X35	2	B11L60635R
17	35108	WASHER 6	5	1BE-11188-00
18	10530	BOLT M6X55	4	B11L60655R
19	10182	BOLT M6X30	2	B11L60630R
20	35113	O-RING 18X2.4	1	1BE-11196-00
21	35112	SEAL COVER	1	1BE-11195-00
22	10140	BOLT M6X12	1	B11L60612R

CYLINDER HEAD



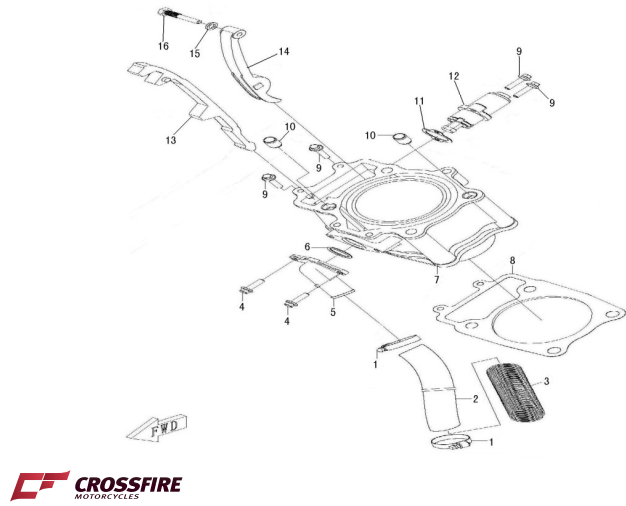
REF.No.	PART No.	DESCRIPTION	QTY	SPEC
1	10067	THRUST NUT M8	1	B51H60800R
2	35097	STUD M8X68	1	1BE-11104-00
3	35106	GASKET,CYLINDER HEAD	1	1BE-11181-00
4	10004	THRUST NUT M6	2	B51H60600R
5	35098	STUD M6X72	2	1BE-11105-00
6	10278	BOLT M6X22	2	B11L60622R
7	35103	WATER OUTLET JOINT, CYLINDER HEAD	1	1BE-11113-00
8	35104	PIPE,CYLINDER HEAD	1	1BE-11119-00
9	35109	CLIP 7.5	2	1BE-11189-00
10	35095	WATER TEMPERATURE SENSOR	1	1BB-85790-00
11	35171	THERMOSTAT	1	1BE-12411-00
12	35105	SPARK PLUG DPR7EA-9(NGK)	1	1BE-11130-00
13	35135	INTAKE VALVE	2	1BE-12111-00
14	35137	SEAT SPRING VALVE	4	1BE-12116-00
15	35140	SEAL VALVE STEM	4	1BE-12119-00
16	35136	SPRING VALVE	4	1BE-12114-00
17	35138	RETAINER SPRING VALVE	4	1BE-12117-00
18	35139	COTTER VALVE	8	1BE-12118-00
19	35100	CYLINDER BOLT M10X1.25X190	2	1BE-11107-00
20	35101	CYLINDER BOLT M10X1.25X200	2	1BE-11108-00
21	35102	WASHER, CYLINDER BOLT	4	1BE-11109-00
22	50076	DOWEL PIN 8x14	2	153FM.17-3
23	10186	BOLT M6X35	2	B11L60635R
24	35141	EXHAUST VALVE	2	1BE-12121-00
25	35099	STUD M8X42	2	1BE-11106-00
26	35096	CYLINDER HEAD (supply together with 35110)	1	1BE-11101-00
27	35207	O-RING 40x2.4	1	1BE-13554-00
28	35210	JOINT, CARBURETOR	1	1BE-13586-00
29	35208	AIR INLET PIPE CLAMP	1	1BE-13575-00
30	35209	SCREW M6X16	2	1BE-13583-00

CAMSHAFT



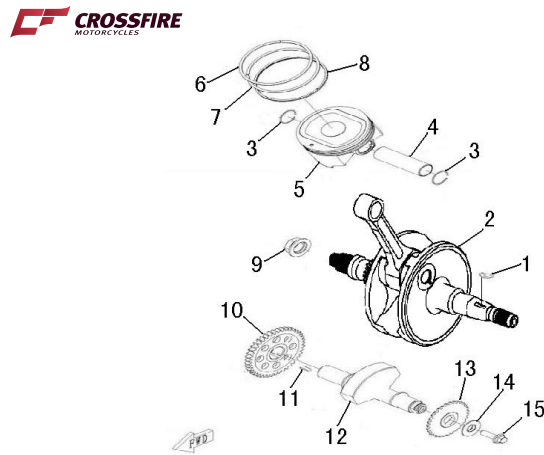
REF.No.	PART No.	DESCRIPTION	QTY	SPEC
1	35156	CAMSHAFT ASSEMBLY	1	1BE-12179-00
2	35151	CAMSHAFT	1	1BE-12171-00
3	35168	LIMIT CAM	1	1BE-12297-00
4	35167	DOWEL PIN, DECOMPRESSOR	1	1BE-12296-00
5	35170	DECOMPRESSOR CAM	1	1BE-12299-00
6	35169	DEFLECTOR ROD	1	1BE-12298-00
7	35164	DECOMPRESSOR SPRING	1	1BE-12287-00
8	35165	DECOMPRESSOR ROCKER ARM	1	1BE-12288-00
9	35166	DECOMPRESSOR ROCKER ARM WRIST	1	1BE-12289-00
10	10841	RETAINER 22	1	B773022000
11	35155	FLANGE, CAMSHAFT	1	1BE-12177-00
12	35154	TIMING SPROCKET	1	1BE-12176-00
13	10835	DOWEL PIN, TIMING SPROCKET	1	B301005080
14	35153	RETAINER	1	1BE-12174-00
15	10828	BOLT M6X10	2	B14A30610R
16	35152	CAMSHAFT SPACER	1	1BE-12173-00
17	35163	TIMING CHAIN	1	1BE-12251-00

CYLINDER



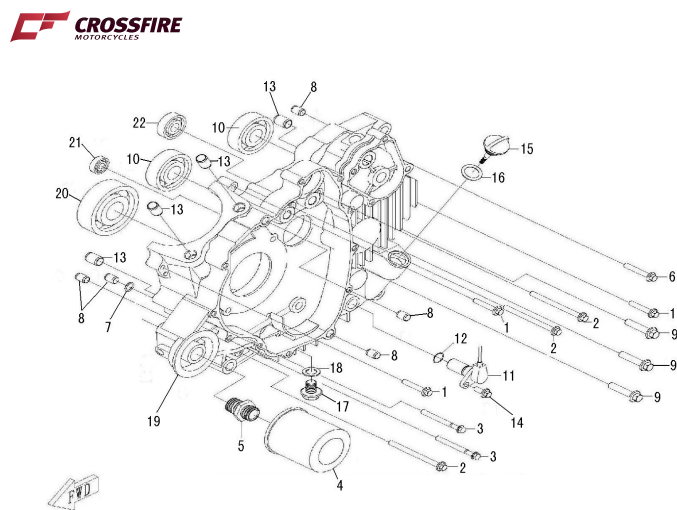
REF.No.	PART No.	DESCRIPTION	QTY	SPEC
1	35343	CLAMP 20/32	2	4AB-12495-00
2	35116	WATER INLET HOSE	1	1BE-11303-00
3	35117	SLEEVE, WATER HOSE	1	1BE-11304-00
4	10278	BOLT M6X22	2	B11L60622R
5	35114	JOINT, WATER INLET	1	1BE-11301-00
6	35115	O-RING 24X2.5	1	1BE-11302-00
7	35119	CYLINDER	1	1BE-11310-00
8	35120	GASKET, CYLINDER	1	1BE-11351-00
9	10187	BOLT M6X25	4	B11L60625R
10	35118	DOWEL PIN 13X18	2	1BE-11309-00
11	35158	GASKET, TENSIONER	1	1BE-12213-00
12	35157	TENSIONER	1	1BE-12210-00
13	35159	TIMING CHAIN GUIDE	1	1BE-12231-00
14	35160	TENSIONER PLATE	1	1BE-12241-00
15	35162	WASHER 8	1	1BE-12247-00
16	35161	BOLT, TENSIONER PLATE	1	1BE-12246-00

CRANKSHAFT COMP



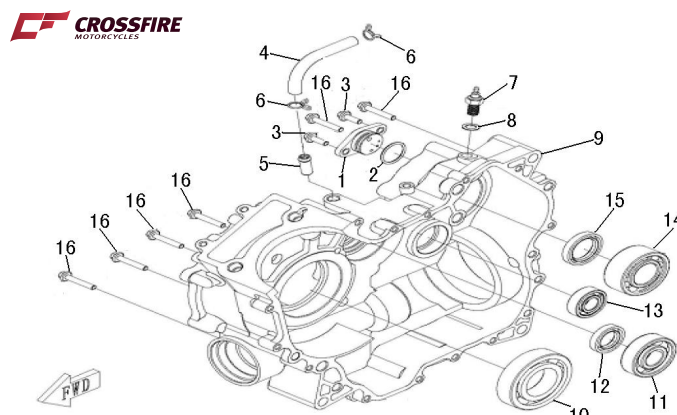
REF.No.	PART No.	DESCRIPTION	QTY	SPEC
1	35123	KEY	1	1BE-11603-00
2	35121	CRANKSHAFT	1	1BE-11400-00
3	35129	CLIP, PISTON PIN	2	1BE-11634-00
4	35128	PISTON PIN	1	1BE-11633-00
5	35127	PISTON	1	1BE-11631-00
6	35124	TOP RING	1	1BE-11611-00
7	35125	2ND RING	1	1BE-11612-00
8	35126	OIL RING	1	1BE-11613-00
9	35122	NUT M18X1.5 (L)	1	1BE-11601-00
10	35131	GEAR, BALANCER SHAFT	1	1BE-11662-00
11	35133	KEY	1	1BE-11666-00
12	35130	BALANCER SHAFT	1	1BE-11660-00
13	35132	SPROCKET, BALANCE SHAFT	1	1BE-11664-00
14	35134	WASHER 10.2X28X2	1	1BE-11669-00
15	10028	BOLT M10X25	1	B14A31025R

LEFT CRANKCASE



REF.No.	PART No.	DESCRIPTION	QTY	SPEC
1	10186	BOLT M6×35	3	B11L606350
2	10827	BOLT M6×80	3	B11L606800
3	10005	BOLT M6×60	2	B11L606600
4	35223	OIL FILTER	1	1BE-15190-00
5	35213	BOLT, OIL FILTER	1	1BE-15104-00
6	10177	BOLT M6×40	1	B11L606400
7	10843	O-RING 10X1.8	1	B920101801
8	35094	DOWEL PIN 10×14	5	1BB-17109-00
9	35221	BOLT M8×38	3	1BE-15174-00
10	10846	BEARING 6303C3	2	BCC0100084
11	35337	SPEED SENSOR	1	1BE-83700-00
12	35225	O-RING 14×1.44	1	1BE-15381-00
13	35118	DOWEL PIN 13×18	4	1BE-11309-00
14	10189	BOLT M6×16	1	B11L606160
15	35224	OIL DIP ROD	1	1BE-15363-00
16	10844	O-RING 18×3.55	1	B920183551
17	50105	DRAIN BOLT M12×1.5	1	1AC-15342-00
18	1309283	WASHER 12	1	1AC-15343-00
19	35216	LEFT CRANKCASE	1	1BE-15110-00
20	10847	BEARING 6307	1	BCC0100086
21	10848	BEARING 63/22	1	BCC0100085
22	10849	BEARING 6202	1	BCC0100044

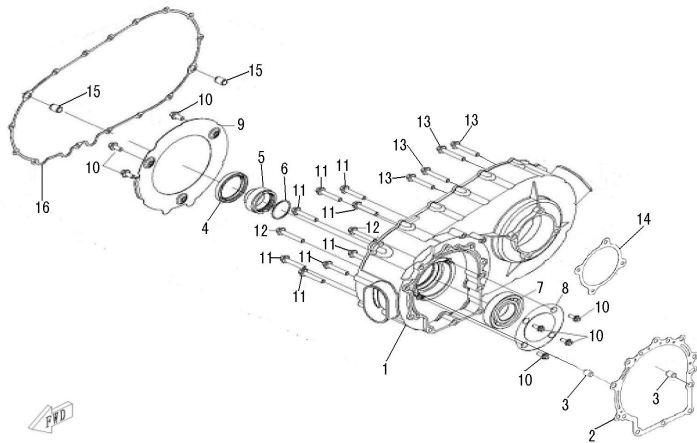
RIGHT CRANKCASE



REF.No.	PART No.	DESCRIPTION	QTY	SPEC
1	35338	GEAR POSITION SENSOR	1	1BE-83901-00
2	35226	O-RING 26×2.5	1	1BE-15382-00
3	10191	BOLT M6×18	2	B11L606180
4	35220	BREATHER HOSE	1	1BE-15173-00
5	35219	JOINT, BREATHER HOSE	1	1BE-15170-00
6	10845	CLAMP A12	2	BHGC673B12
7	35339	REVERSE GEAR SENSOR	1	1BE-83902-00
8	35227	WASHER 10	1	1BE-15383-00
9	35217	RIGHT CRANKCASE	1	1BE-15120-00
10	10850	BEARING 6208	1	BCC0100067
11	10848	BEARING 63/22	1	BCC0100085
12	35218	OIL SEAL 22×38×7	1	1BE-15160-00
13	10851	BEARING 6203RS	1	BCC0100046
14	10860	BEARING 5206C3	1	BCC0300003
15	35222	OIL SEAL 30×45×8	1	1BE-15180-00
16	10186	BOLT M6×35	6	B11L606350

CVT HOUSING

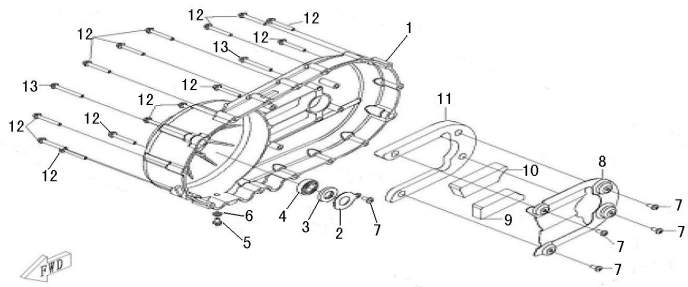
CROSSFIRE
MOTORCYCLES



REF.No.	PART No.	DESCRIPTION	QTY	SPEC
1	35235	CVT HOUSING	1	1BE-15421-00
2	35238	GASKET 1, CVT HOUSING	1	1BE-15426-00
3	35094	DOWEL PIN 10×14	2	1BB-17109-00
4	35251	OIL SEAL 54×70×8	1	1BE-15460-00
5	35228	SPACER, DRIVE SHAFT	1	1BE-15403-00
6	35229	O-RING 39×2.3	1	1BE-15404-00
7	10852	BEARING 6208RS	1	BCC0100091
8	35236	BEARING RETAINER, CVT	1	1BE-15424-00
9	35237	PLATE, AIR INTAKE	1	1BE-15425-00
10	10140	BOLT M6×12	7	B11L606120
11	35233	BOLT M8×45	8	1BE-15414-00
12	35232	BOLT M8×50	2	1BE-15413-00
13	10187	BOLT M6×25	4	B11L606250
14	35239	GASKET 2, CVT HOUSING	1	1BE-15427-00
15	35118	DOWEL PIN 13×18	2	1BE-11309-00
16	35231	GASKET, CVT COVER	1	1BE-15412-00

CVT COVER

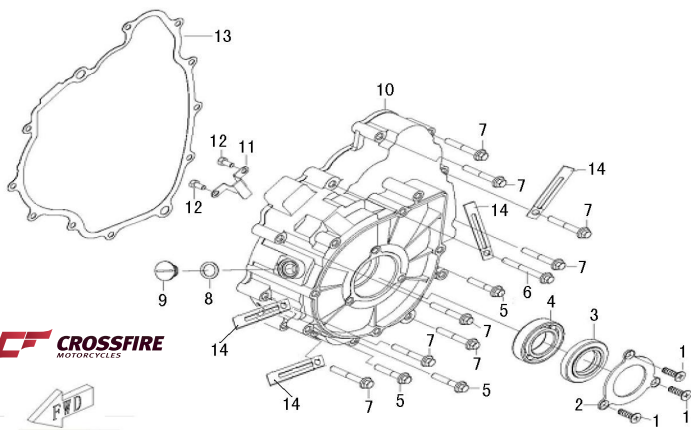
CROSSFIRE
MOTORCYCLES



REF.No.	PART No.	DESCRIPTION	QTY	SPEC
1	35230	CVT COVER	1	1BE-15411-00
2	35253	LIMITATOR, OIL SEAL	1	1BE-15485-00
3	35252	OIL SEAL 17×35×5	1	1BE-15480-00
4	10853	BEARING 6003/P6	1	BCC0100087
5	10826	BOLT M6×10	1	B11L606100
6	35108	WASHER 6	1	1BE-11188-00
7	26262	SCREW M6×12	5	B23L606120
8	35254	DAMPER PLATE	1	1BE-15486-00
9	35257	RUBBER DAMPER 3	1	1BE-15489-00
10	35255	RUBBER DAMPER 1	1	1BE-15487-00
11	35256	RUBBER DAMPER 2	1	1BE-15488-00
12	29503	BOLT M6×45	14	B11L606450
13	10530	BOLT M6×55	2	B11L606550

LEFT CRANKCASE COVER

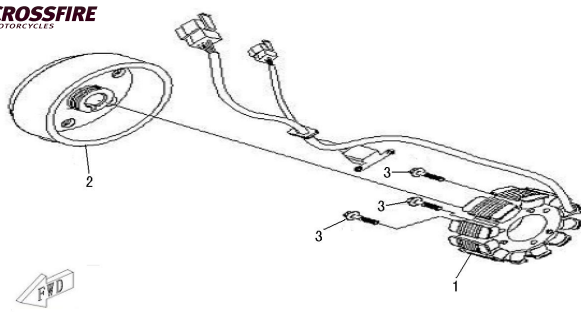
CROSSFIRE
MOTORCYCLES



REF.No.	PART No.	DESCRIPTION	QTY	SPEC
1	10832	SCREW M6×10	3	B25L506100
2	35245	HOLDER, OIL SEAL	1	1BE-15454-00
3	35248	OIL SEAL 28×52×7	1	1BE-15457-00
4	10854	BEARING 60/28	1	BCC0100088
5	10329	BOLT M6×32	3	B11L606320
6	10349	BOLT M6×50	1	B11L606500
7	10177	BOLT M6×40	8	B11L606400
8	35250	O-RING 12x2.8	1	1BE-15459-00
9	35249	PLUG, INSPECTION	1	1BE-15458-00
10	35234	LEFT CRANKCASE COVER	1	1BE-15417-00
11	35246	LEAD HOLDER	1	1BE-15455-00
12	10829	BOLT M5×10	2	B14L205100
13	35244	GASKET, LEFT CRANKCASE COVER	1	1BE-15453-00
14	35247	CABLE CLAMP	4	1BE-15456-00

GENERATOR

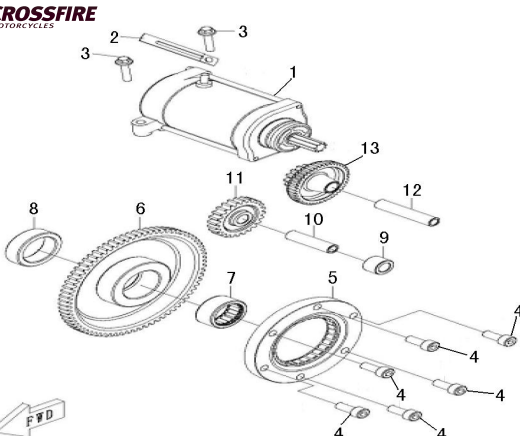
CROSSFIRE
MOTORCYCLES



REF.No.	PART No.	DESCRIPTION	QTY	SPEC
1	35334	STATOR ASSY	1	1BE-81410-00
2	35335	ROTOR ASSY	1	1BE-81450-00
3	10182	BOLT M6×30	3	B11L60630R

ELECTRIC STARTER

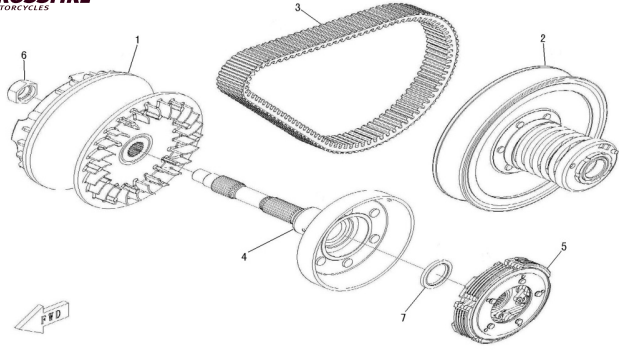
CROSSFIRE
MOTORCYCLES



REF.No.	PART No.	DESCRIPTION	QTY	SPEC
1	35336	STARTING MOTOR	1	1BE-81890-00
2	35247	CABLE CLAMP	1	1BE-15456-00
3	10182	BOLT M6×30	2	B11L606300
4	10830	SCREW M8×20	6	B22A00820R
5	35265	STATER CLUTCH	1	1BE-15590-00
6	35260	OUTPUT GEAR ASSY	1	1BE-15517-00
7	10859	NEEDLE BEARING RNA49/22	1	BCC3400003
8	35259	SPACER	1	1BE-15516-00
9	35264	IDLE GEAR BUSHING	1	1BE-15524-00
10	35262	IDLE GEAR SHAFT	1	1BE-15522-00
11	35263	IDLE GEAR	1	1BE-15523-00
12	35261	AXLE, DUAL GEAR	1	1BE-15521-00
13	35258	DUAL GEAR	1	1BE-15512-00

CLUTCH

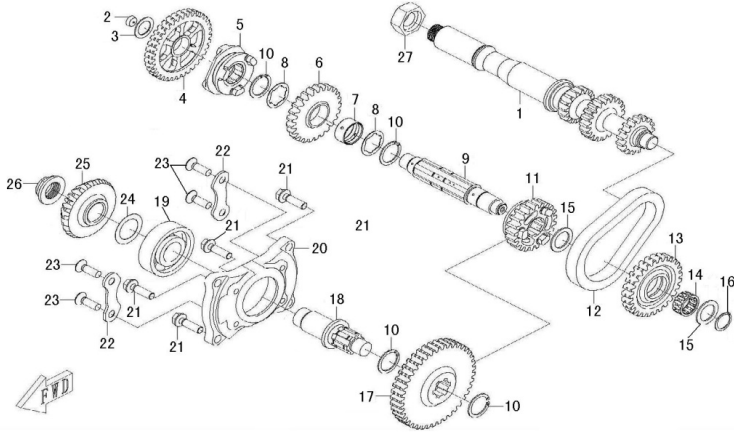
CROSSFIRE
MOTORCYCLES



REF.No.	PART No.	DESCRIPTION	QTY	SPEC
1	35298	DRIVE ASSY COMP	1	1BE-17650-00
2	35299	DRIVEN ASSY COMP	1	1BE-17660-00
3	35297	V-BELT	1	1BE-17641-00
4	35295	CLUTCH HOUSING ASSY	1	1BE-17620-00
5	35296	CLUTCH CARRIER ASSY	1	1BE-17630-00
6	35294	NUT M20x1.5	1	1BE-17608-00
7	35293	OIL SEAL 46x37.5x5.5, END FACE	1	1BE-17605-00

TRANSMISSION (1)

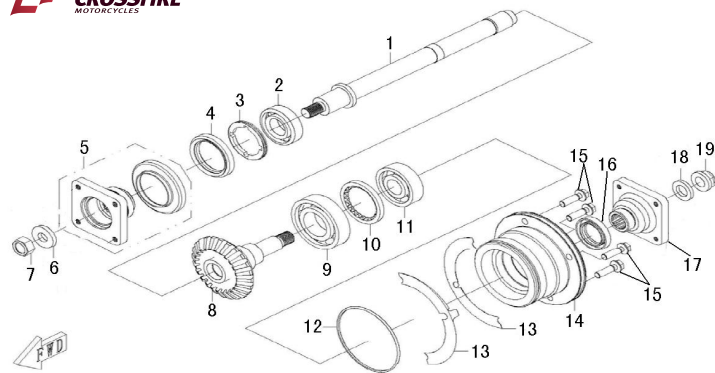
CROSSFIRE
MOTORCYCLES



REF.No.	PART No.	DESCRIPTION	QTY	SPEC
1	35320	MAIN SHAFT, GEARSHIFT	1	1BE-23551-00
2	35309	BELL PLUG 12	1	1BE-23527-00
3	35307	WASHER 17.5x26x1	1	1BE-23523-00
4	35318	DRIVEN GEAR, LOW RANGE	1	1BE-23546-00
5	35314	SLIDING BUSH, GEARSHIFT	1	1BE-23540-00
6	35316	DRIVEN GEAR, HIGH RANGE	1	1BE-23543-00
7	35317	BUSHING, DRIVEN HIGH RANGE GEAR	1	1BE-23544-00
8	35310	SPLINE WASHER	2	1BE-23528-00
9	35315	DRIVEN SHAFT	1	1BE-23541-00
10	35311	CIRCLIP 25	2	1BE-23529-00
11	35308	DRIVEN OUTPUT GEAR	1	1BE-23526-00
12	35313	CHAIN, REVERSE GEAR	1	1BE-23537-00
13	35319	SPROCKET, REVERSE GEAR	1	1BE-23547-00
14	10858	NEEDLE BEARING K20X26X12	1	BCC3200004
15	35312	WASHER 20.5x30x1.5	2	1BE-23534-00
16	24407	CIRCLIP 20	1	B753020000
17	35271	OUTPUT DRIVEN GEAR	1	1BE-17401-00
18	35276	DRIVE BEVEL GEAR SHAFT	1	1BE-17406-00
19	10855	BEARING 6305C3	1	BCC0100089
20	35274	BEARING SEAT,DRIVE BEVEL GEAR	1	1BE-17404-00
21	35286	BOLT M8x28	4	1BE-17418-00
22	35287	BEARING LIMIT	2	1BE-17419-00
23	10834	SCREW M8x25	4	B2GA50825R
24	35277	ADJUST WASHER, DRIVE BEVEL GEAR	1	1BE-17407-00
25	35272	DRIVE BEVEL GEAR	1	1BE-17402-00
26	35275	LOCKNUT, BEVEL GEAR	1	1BE-17405-00
27	35294	NUT M20x1.5	1	1BE-17608-00

TRANSMISSION (2)

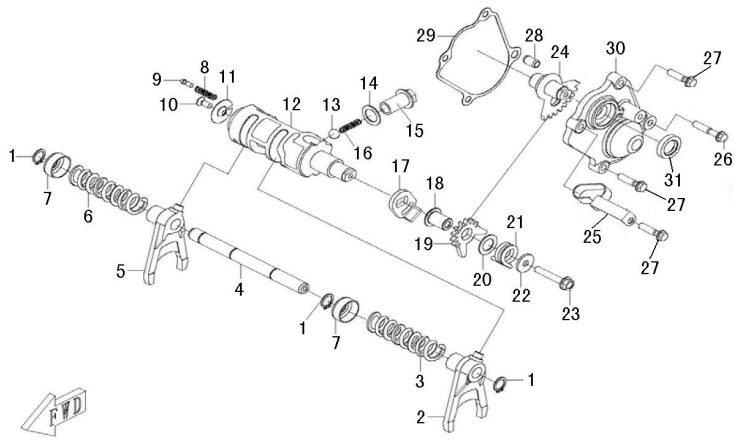
CROSSFIRE
MOTORCYCLES



REF.No.	PART No.	DESCRIPTION	QTY	SPEC
1	35288	FRONT OUTPUT SHAFT	1	1BE-17461-00
2	10267N	BEARING 6205	1	BCC0100051
3	35291	BEARING RETAINER, FRONT OUTPUT SHAFT	1	1BE-17466-00
4	35289	OIL SEAL 44x60x6.7/10	1	1BE-17462-00
5	35290	COUPLER, FRONT TRANSMISSION OUTPUT	1	1BE-17463-00
6	35292	WASHER,FRONT TRANSMISSION OUTPUT SHAFT NUT	1	1BE-17468-00
7	10837	NUT M14x1.5-10	1	B5NH61400F
8	35273	DRIVEN BEVEL GEAR	1	1BE-17403-00
9	10856	BEARING 6207/P63	1	BCC0100090
10	35282	BEARING LIMIT NUT	1	1BE-17414-00
11	10848	BEARING 63/22	1	BCC0100085
12	35279	O-RING 88x2.4	1	1BE-17411-00
13	35280	ADJUST WASHER, DRIVEN BEVEL GEAR	2	1BE-17412-00
14	35278	BEARING SEAT, DRIVEN BEVEL GEAR	1	1BE-17410-00
15	35286	BOLT M8x28	4	1BE-17418-00
16	35281	OIL SEAL 30x46x7	1	1BE-17413-00
17	35283	COUPLER, REAR TRANSMISSION OUTPUT	1	1BE-17415-00
18	35284	WASHER, REAR OUTPUT SHAFT NUT	1	1BE-17416-00
19	35285	NUT, REAR OUTPUT SHAFT	1	1BE-17417-00

TRANSMISSION (3)

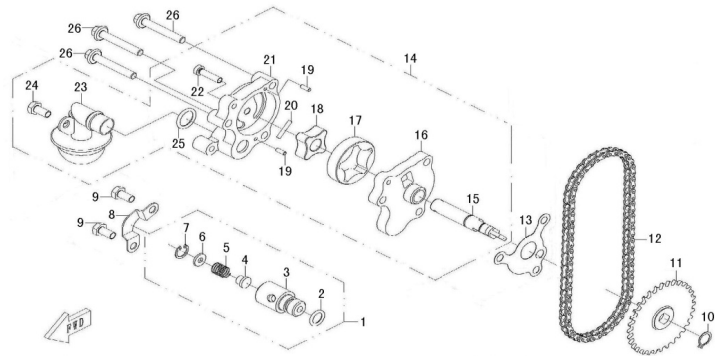
CROSSFIRE
MOTORCYCLES



REF.No.	PART No.	DESCRIPTION	QTY	SPEC
1	10129	CIRCLIP 12	3	B753012000
2	35330	LEFT SHIFT FORK	1	1BE-23581-00
3	35327	SPRING 1, SHIFT FORK	1	1BE-23577-00
4	35333	GUIDE BAR	1	1BE-23585-00
5	35329	RIGHT SHIFT FORK	1	1BE-23579-00
6	35328	SPRING 2, SHIFT FORK	1	1BE-23578-00
7	35326	SPRING SEAT	2	1BE-23576-00
8	35322	SPRING, GEAR CONTACTOR	1	1BE-23572-00
9	35321	GEAR CONTACTOR	1	1BE-23571-00
10	10833	SCREW M5×12	1	B2GA50512R
11	35323	LIMIT WASHER	1	1BE-23573-00
12	35331	SHIFT CAM	1	1BE-23583-00
13	10842	FRICITION BALL 3/8	1	B940952500
14	35324	WASHER 14×22×1	1	1BE-23574-00
15	35325	HOLE BOLT M14×1.5	1	1BE-23575-00
16	35332	LIMIT SPRING	1	1BE-23584-00
17	35303	WASHER, DRIVEN SECTOR GEAR	1	1BE-23516-00
18	35302	SHAFT, DRIVEN SECTOR GEAR	1	1BE-23515-00
19	35301	DRIVEN SECTOR GEAR	1	1BE-23514-00
20	35304	WASHER 13.5×22×1	1	1BE-23517-00
21	35305	TORSION SPRING, DRIVEN SECTOR GEAR	1	1BE-23518-00
22	35306	WASHER 6.6×20×2	1	1BE-23519-00
23	10186	BOLT M6×35	1	B11L60635R
24	35300	WELD PART, DRIVE SECTOR GEAR	1	1BE-23511-00
25	35243	CLIP	1	1BE-15434-00
26	10329	BOLT M6×32	1	B11L606320
27	10187	BOLT M6×25	3	B11L606250
28	50076	DOWEL PIN 8×14	1	1AC-15153-00
29	35241	GASKET, SECTOR GEAR HOUSING	1	1BE-15432-00
30	35240	COVER, SECTOR GEAR HOUSING	1	1BE-15431-00
31	35242	OIL SEAL 15×25×5	1	1BE-15433-00

OIL PUMP

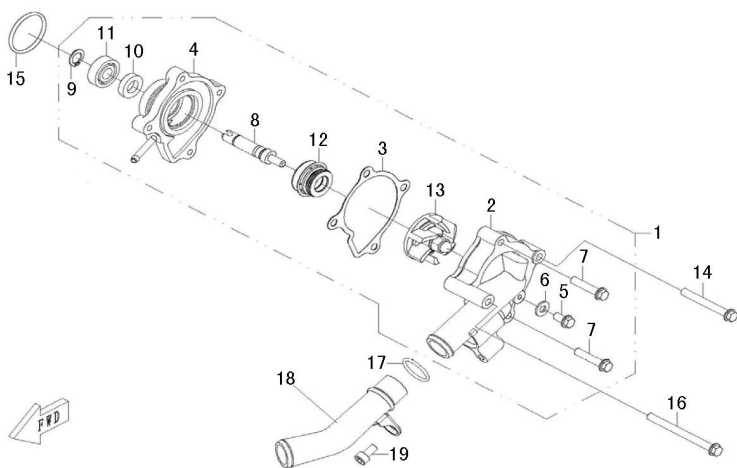
CROSSFIRE
MOTORCYCLES



REF.No.	PART No.	DESCRIPTION	QTY	SPEC
1	35197	RELIEF VALVE	1	1BE-13360-00
2	35200	O-RING 10×2.3	1	1BE-13363-00
3	35198	RELIEF VALVE BODY	1	1BE-13361-00
4	35199	OIL PLUG, RELIEF VALVE	1	1BE-13362-00
5	35201	SPRING RELIEF VALVE	1	1BE-13364-00
6	35202	SPRING WASHER	1	1BE-13365-00
7	10838	CIRCLIP 12	1	B723012000
8	35203	PRESSURE STRIP,RELIEF VALVE	1	1BE-13371-00
9	10140	BOLT M6×12	2	B11L60612R
10	10840	CIRCLIP 11	1	B753011000
11	35191	SPROCKET, OIL PUMP	1	1BE-13305-00
12	35196	CHAIN, OIL PUMP	1	1BE-13320-00
13	35206	GASKET, OIL PUMP	1	1BE-13475-00
14	35195	OIL PUMP	1	1BE-13310-00
15	35192	SHAFT, OIL PUMP	1	1BE-13306-00
16	35187	COVER, OIL PUMP	1	1BE-13301-00
17	35189	OUTER ROTOR,OIL PUMP	1	1BE-13303-00
18	35190	INNER ROTOR,OIL PUMP	1	1BE-13304-00
19	35193	DOWEL PIN	2	1BE-13307-00
20	35194	STRAIGHT PIN	1	1BE-13308-00
21	35188	OIL PUMP HOUSING	1	1BE-13302-00
22	10857	SCREW M5×20	1	B2DL00520R
23	35204	OIL STRAINER	1	1BE-13411-00
24	10210	BOLT M6×14	1	B11L00614R
25	35205	O-RING 14×2.5	1	1BE-13413-00
26	10177	BOLT M6×40	3	B11L60640R

WATER PUMP

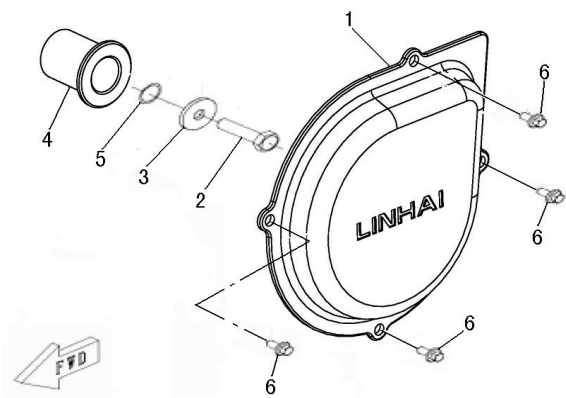
CROSSFIRE
MOTORCYCLES



REF.No.	PART No.	DESCRIPTION	QTY	SPEC
1	35179	WATER PUMP ASSY	1	1BE-12440-00
2	35173	WATER PUMP COVER	1	1BE-12422-00
3	35176	GASKET	1	1BE-12428-00
4	35172	WATER PUMP HOUSING	1	1BE-12421-00
5	10140	BOLT M6×12	1	B11L60612R
6	35108	WASHER 6	1	1BE-11188-00
7	10182	BOLT M6×30	2	B11L60630R
8	35175	WATER PUMP SHAFT	1	1BE-12426-00
9	10839	CIRCLIP 10	1	B753010000
10	35177	OIL SEAL 10×21×5	1	1BE-12437-00
11	70020	BEARING 6000	1	BCC0100062
12	35178	WATER SEAL	1	1BE-12438-00
13	35180	IMPELLER	1	1BE-12450-00
14	10349	BOLT M6×50	1	B11L60650R
15	35174	O-RING 34×2.5	1	1BE-12425-00
16	10160	BOLT M6×70	1	B11L60670R
17	35182	O-RING 21×2.5	1	1BE-12481-00
18	35181	WATER OUTLET PIPE	1	1BE-12480-00
19	10831	SCREW M6×10	1	B22L50610R

LEFT SIDE COVER

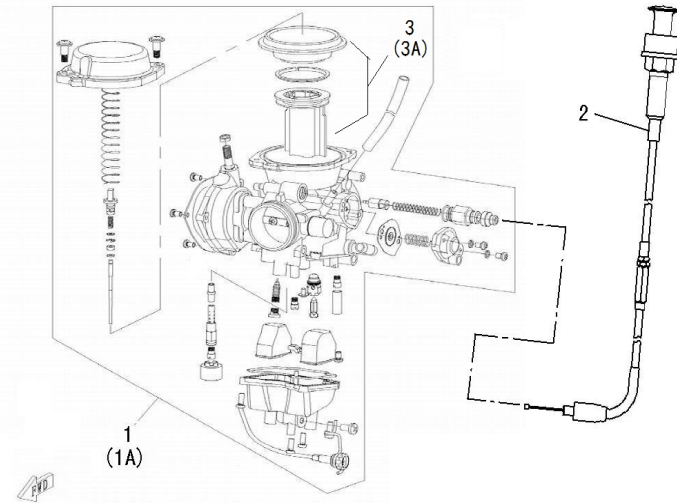
CROSSFIRE
MOTORCYCLES



REF.No.	PART No.	DESCRIPTION	QTY	SPEC
1	35270	LEFT SIDE COVER	1	1BE-15781-00
2	35267	BOLT M10×1.25×40	1	1BE-15725-00
3	35268	WASHER 10.2×32×3	1	1BE-15726-00
4	35266	SPLINED SPACER	1	1BE-15722-00
5	35269	O-RING 16.1×3.2	1	1BE-15727-00
6	10140	BOLT M6×12	4	B11L60612R

CARBURETOR

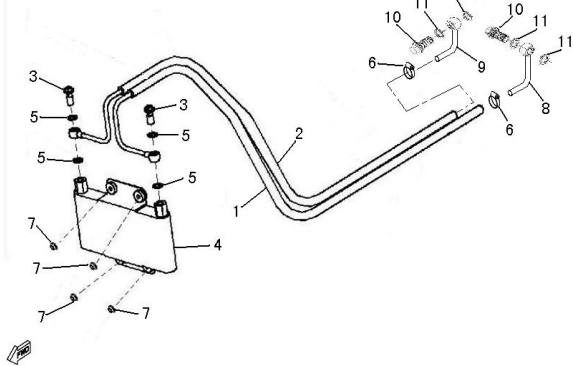
CROSSFIRE
MOTORCYCLES



REF.No.	PART No.	DESCRIPTION	QTY	SPEC
1	35211	CARBURETOR	1	1BE-14101-00
1A	35212	CARBURETOR	1	1BE-14101-10
2	35340	LINE ASSY	1	1DA-14133-00
3	35381	PLUNGER	1	1BE-14131-00
3A	35382	PLUNGER	1	1BE-14131-10

OIL RADIATOR

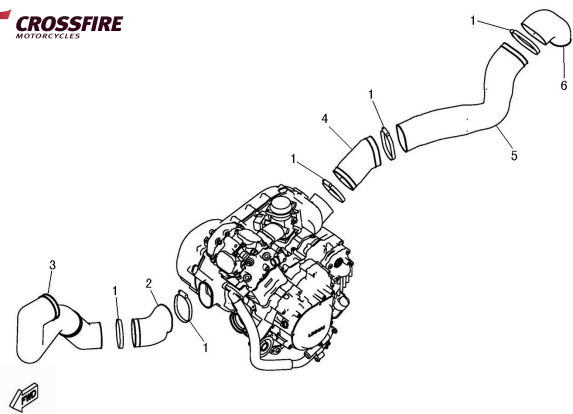
CROSSFIRE
MOTORCYCLES



REF.No.	PART No.	DESCRIPTION	QTY	SPEC
1	35185	PIPE A	1	1BE-12713-00
2	35184	PIPE B	1	1BE-12712-00
3	35379	DRAIN PLUG	2	1AA-12704-00
4	35342	OIL RADIATOR	1	1DB-12761-00
5	35341	WASHER	4	1DB-12705-00
6	10774	CLAMP 12/20	2	BHG1200005
7	10836	NUT 6	4	B53A00600R
8	35183	JOUNT A	1	1BE-12710-00
9	35186	JOUNT B	1	1BE-12720-00
10	35214	HINGE BOLT M14×1.5	2	1BE-15106-00
11	35215	WASHER 14	4	1BE-15107-00

CVT AIR SHROUD

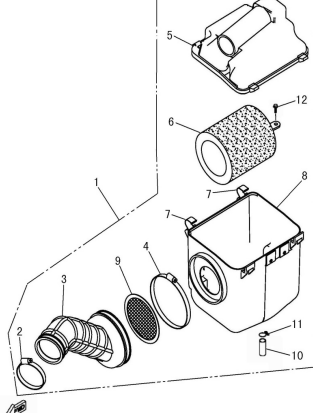
CROSSFIRE
MOTORCYCLES



REF.No.	PART No.	DESCRIPTION	QTY	SPEC
1	35093	CLAMP 80	5	1BA-14407-00
2	35346	RUBBER JOINT AIR SHROUD 1, CVT	1	4AV-10001-00
3	35347	AIR SHROUD 1, CVT	1	4AV-10002-00
4	35348	RUBBER JOINT AIR SHROUD 2, CVT	1	4AV-10003-00
5	35349	AIR SHROUD 2, CVT	1	4AV-10004-00
6	35350	RUBBER JOINT AIR SHROUD 3, CVT	1	4AV-10005-00

AIR CLEANER

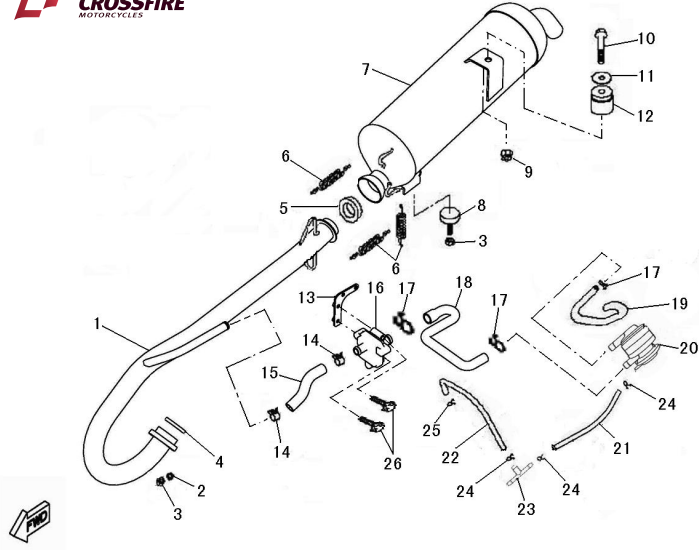
CROSSFIRE
MOTORCYCLES



REF.No.	PART No.	DESCRIPTION	QTY	SPEC
1	35356	AIR CLEANER ASSY	1	4AV-14400-00
2	35357	CLIP 1	1	4AV-14401-00
3	35358	FEED HOSE	1	4AV-14402-00
4	35359	CLIP 2	1	4AV-14403-00
5	35360	COVER, AIR CLEANER	1	4AV-14404-00
6	35361	ELEMENT COMP AIR CLEANER	1	4AV-14405-00
7	35362	CLIP, AIR CLEANER COVER	2	4AV-14406-00
8	35363	CASE, AIR CLEANER	1	4AV-14407-00
9	35364	FILTER	1	4AV-14408-00
10	35365	HOSE 2,AIR CLEANER	1	4AV-14409-00
11	35366	SPRING CLIP	1	4AV-14410-00
12	35367	SCREW	1	4AV-14411-00

EXHAUST

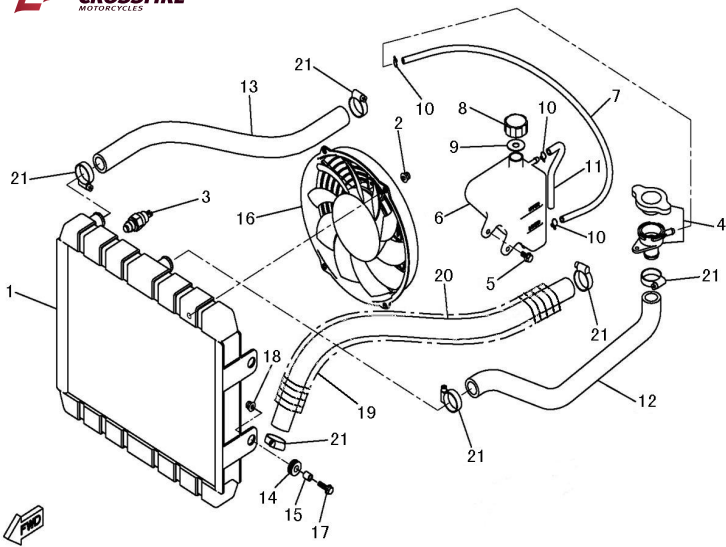
CROSSFIRE
MOTORCYCLES



REF.No.	PART No.	DESCRIPTION	QTY	SPEC
1	35368	EXHAUST PIPE	1	4AV-14611-00
2	10106	WASHER 8	2	GB/T93
3	10099	NUT M8	3	GB/T6170
4	35369	EXHAUST PIPE GASKET	1	4AV-14613-00
5	35370	JOINT	1	4AV-14701-00
6	23408	SPRING	3	4AL-14601-00
7	35371	MUFFLER	1	4AV-14711-00
8	35345	MUFFLER SUPPORT BOTTOM	1	4AL-14731-00
9	10015	NUT M10X1.25	1	GB/T6187
10	10120	BOLT FLANGE M10X1.25X62	1	GB/T16674.1
11	10117	WASHER PLATE 10	1	GB/T96
12	35344	MUFFLER SUPPORT	1	4AL-14702-00
13	35373	VALVE BRACKET	1	4AV-14804-00
14	35378	CLIP 15	2	4AV-14885-00
15	35374	HOSE C	1	4AV-14881-00
16	35372	VALVE	1	4AV-14803-00
17	43519	HOSE CLAMP 16	3	170M.20-2
18	35375	HOSE B	1	4AV-14882-00
19	43518	HOSE A	1	170M.20-1
20	2603214	AIR INDUCTION SYSTEM ASSY	1	157FM2A.10a.4
21	50362	PIPE,AIR INDUCTION	1	139FM.1-11
22	35376	PIPE	1	4AV-14883-00
23	2603215	TRI-CONNECTER	1	157FM2A.10a-8
24	2603211	CLIP 7	3	157FM2A.10a-6
25	35377	CLIP 6	1	4AV-14884-00
26	10186	BOLT M6X35	2	GB/T16674.1

RADIATOR

CROSSFIRE
MOTORCYCLES



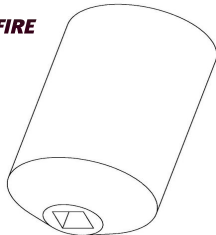
REF.No.	PART No.	DESCRIPTION	QTY	SPEC
1	35351	RADIATOR	1	4AV-12401-00
2	10103	NUT M6	4	GB/T6177
3	22919	THERMOSTAT SWITCH ASSY	1	170M.11.4
4	22907a	SAFETY VALVE	1	170M.11.1
5	10140	BOLT M6X12	2	GB/T16674.1
6	70340	TANK RECOVERY	1	LH520ATV.16.2-1
7	35353	PIPE,SAFETY VALVE	1	4AV-12407-00
8	70338	COVER,TANK RECOVERY	1	LH520ATV.16.2.1-1
9	70339	WASHER,TANK RECOVERY	1	LH520ATV.16.2.1-2
10	22924	CLIP	3	170M.11.6-5
11	70342	PIPE,TANK RECOVERY	1	LH520ATV.16.2-3
12	70345	HOSE,RADIATOR	1	LH520ATV.16-1
13	35355	HOSE,FEED	1	4AV-12483-00
14	22917	RADIATOR SIDE GROMMET	4	170M.11-5
15	22918	COLLAR	4	170M.11-6
16	35354	BLOWER ASSY	1	4AV-12432-00
17	10110	BOLT M6X20	4	GB/T16674.1
18	10004	NUT M6	4	GB/T6187
19	35352	SLEEVE	1	4AV-12405-00
20	70347	HOSE,RETURN	1	LH520ATV.16-3
21	70344	CLAMP 20/32	6	LH520ATV.16.4

ACCESSORY

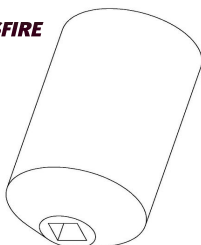
CROSSFIRE
MOTORCYCLES



CROSSFIRE
MOTORCYCLES



CROSSFIRE
MOTORCYCLES



REF.No.	PART No.	DESCRIPTION	QTY	SPEC
1	80129	Rotor ASSY puller	1	1BE-85610-00
2	80130	BEARING RETAINER, FRONT OUTPUT SHAFT, NUT WRENCH	1	LH188MR FZ/24
3	80131	BEARING LIMIT NUT, NUT WRENCH	1	LH188MR FZ/25