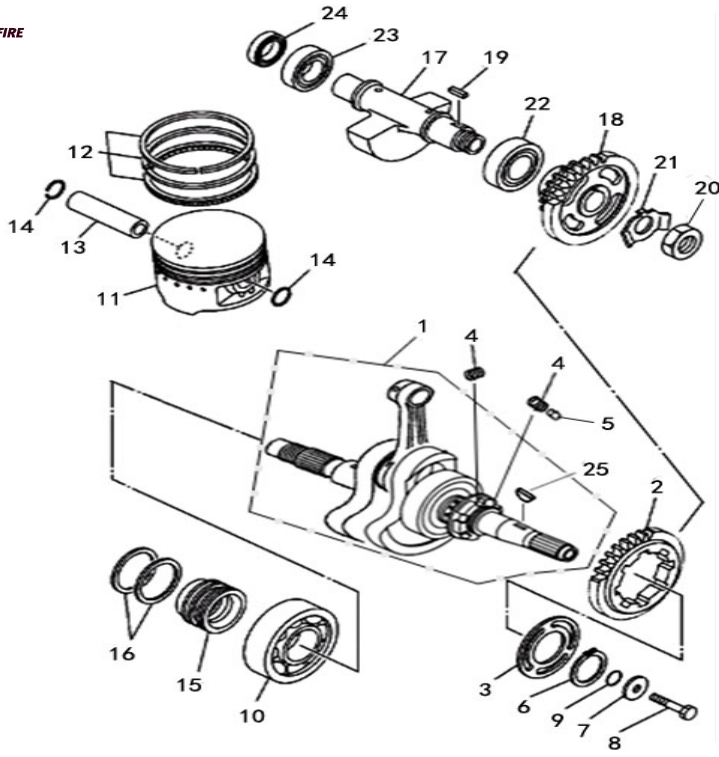


CRANKSHAFT PISTON

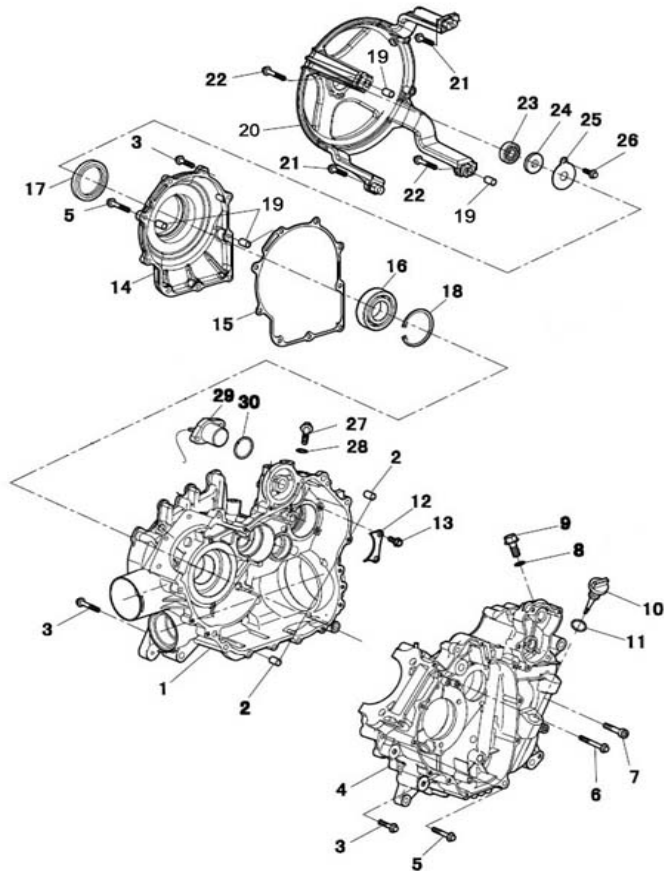
CROSSFIRE



No.	PART No.	DESCRIPTION	QTY
1	P015000132000100	Crankshaft Assy	1
2	P004000133220000	Driving Gear,Balance Shaft	1
3	P004000133230000	Locating Plate,Balance Gear,Outer	1
4	P004000133250000	Buffer Spring,Balance Gear	8
5	P004000133260000	Spacer Pin,Balance Gear	4
6	BGB894.1-35	Circlip For Shaft \varnothing 35	1
7	PJ00000906000700	Washer 10x32x5	1
8	BGB5783-M10x1.25x40	Hexagon Head Bolts M10x1.25x40	4
8	BGB5787-M10x1.25x40-12.9	Hexagon Head Bolts M10x1.25x40	1
9	PJ00000912012000	O-Ring 16x3	1
10	BGB276-6307	Bearing 6307	1
11	P015000131010000	Piston	1
12	P0100001311A0000	Piston Ring Set	1
13	P010000131020000	Piston Pin	1
14	P010000131070000	Circlip,Piston Pin	2
15	P004000110230000	Bushing,Sealing Ring	1
16	P003000110240000	Sealing Ring	2
17	P0150001331A0000	Balance Shaft Assy	1
18	P0040001332A0000	Balance Driven Gear Assy	1
19	BGB1096-B5x12.4	Key B5x12	1
20	PJ00000904021000	Hexagon Nut M18x1	1
21	PJ00000906030400	Tab Washer A	1
22	BGB276-6305	Bearing 6305	1
23	BGB276-6304	Bearing 6304	1
24	PJ00000911012100	Oil Seal 20x30x7	1
25	P004000130010000	Key	1

CRANKCASE

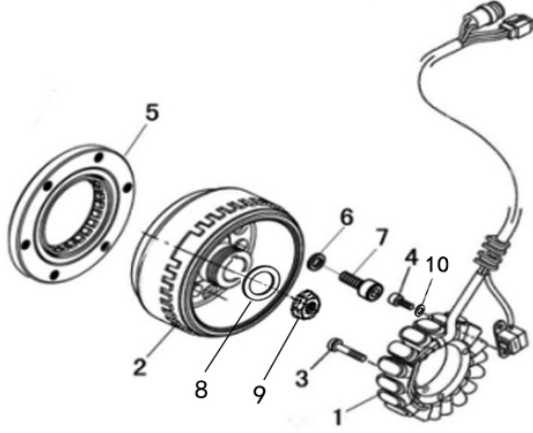
CROSSFIRE



No.	PART No.	DESCRIPTION	QTY
1	P0150001110A0001	Right Crankcase Assy	1
2	PJ00000908020500	Pin,Dowel 9x12x16	2
3	BGB5787-M6x30	Hexagon Flange Bolts M6x30	19
4	P0150001120A0000	Left Crankcase Assy	1
4	P0150001120A0001	Left Crankcase Assy	1
5	BGB5787-M6x40	Hexagon Flange Bolts M6x40	4
6	BGB5787-M6x85	Hexagon Flange Bolts M6x85	1
7	BGB70-M8x40	Hexagon Socket Head Cap Screws M8x40	3
8	PJ00000906010900	Aluminum Washer 14x22x1.5	1
9	PJ00000904050400	Hexagon Flange Screw Plug M14x1.5x16	1
10	P004000156500000	Oil Dipstck	1
11	PJ00000912012400	O-Ring 18x3.5	1
12	P004000110130000	Press Plate,Main Shaft Bearing	1
13	BGB5787-M6x16	Hexagon Flange Bolts M6x16	2
14	P004000113210000	Wet Clutch Case Cover	1
15	P004000113220000	Gasket,Wet Clutch Cover	1
16	BGB276-16010	Bearing 16010	1
17	PJ00000911012200	Oil Seal 35x65x9	1
18	BGB893-80	Circlip For Hole \varnothing 80	1
19	PJ00000908020300	Pin,Dowel 10x16	4
20	P004000113310000	Shield Bracket,Clutch	1
21	BGB5789-M6x32	Hexagon Flange Bolts M6x32	2
22	BGB5789-M6x40	Hexagon Flange Bolts M6x40	2
23	BGB276-6201 2Z	Bearing 62012Z	1
24	PJ00000911011200	Oil Seal 12x32x6	1
25	P004000110320000	Press Plate,Bracket Oil Seal	1
26	BGB5787-M6x16	Hexagon Flange Bolts M6x16	1
27	BGB5787-M10x1.25x16	Hexagon Flange Bolts M10x1.25x16	1
28	PJ00000906010400	Aluminum Washer 10x16x1.2	1
29	P012000365500000	Sensor,Gear Shift Indicator	1
30	PJ00000912013800	O-Ring 29.6x2.4	1

GENERATOR

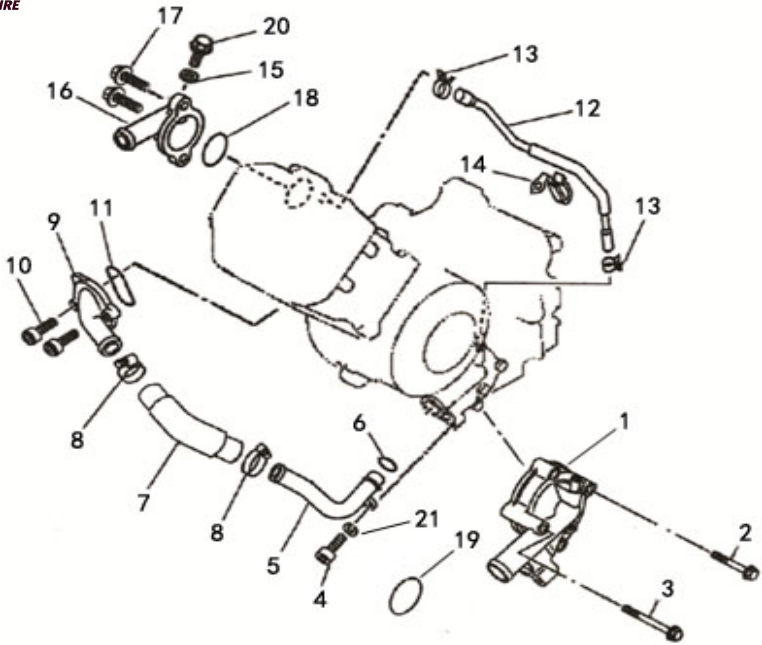
CROSSFIRE



No.	PART No.	DESCRIPTION	QTY
1	P007G00311200000	Generator-Stator-Assy	4
	P007G00311200200	Generator Stator Assy	1
2	P004000311100100	Generator-Rotor-Assy	4
	P004000311100300	Generator Rotor Assy	1
3	BGB9074.14-M6×30	Hexagon Head Bolt And Plain Washer Assemblies M6×30	3
4	BGB70-M5×12	Hexagon Socket Head Cap Screws M5×12	2
5	P004000243100000	One Way Bearing Starter	1
6	BGB93-8	Spring Washer ∅8	6
7	BGB70-M8×16	Hexagon Socket Head Cap Screws M8×16	6
8	P004000244110000	Washer 22×35×2	2
9	PJ00000904021401	Nut M22×1	1
10	BGB93-5	Spring Washer ∅5	2

WATER PUMP

CROSSFIRE



No.	PART No.	DESCRIPTION	QTY
1	P004000197000100	Water Pump Assy	1
2	BGB5787-M6×45	Hexagon Flange Bolts M6×45	1
3	BGB5787-M6×65	Hexagon Flange Bolts M6×65	1
4	BGB5787-M6×16	Hexagon Flange Bolts M6×16	1
5	P004000190070000	Water Pipe II	1
	P004000190070100	Water Pipe II	1
6	PJ00000912013000	O-Ring 20.7×2.6	1
7	P004000190080000	Hose,Cylinder, Water In	1
	P004000190080010	Hose,Cylinder, Water In	1
8	PJ00000907300300	Hose Clamp Assy ∅20~∅32	2
9	P004000190050000	Hose Joint,Cylinder,Water Out	1
10	BGB5787-M6×20	Hexagon Flange Bolts M6×20	2
11	PJ00000912014300	O-Ring 33.4×2.4	1
12	P004000190060000	Water Pipe I	1
13	PJ00000907100300	Clip (∅10)	2
14	P004000110070000	Pipe Clamp II	1
15	PJ00000906010100	Aluminum Washer 6×12×1.5	1
16	P004000190090000	Cover,Thermostat	1
17	BGB5787-M6×20	Hexagon Flange Bolts M6×20	2
18	P004000194110000	Seal,Thermostat Cover	1
19	PJ00000912014500	O-Ring 34.2×2.5	1
20	BGB5787-M6×12	Hexagon Flange Bolts M6×12	1
21	BGB93-6	Spring Washer ∅6	1