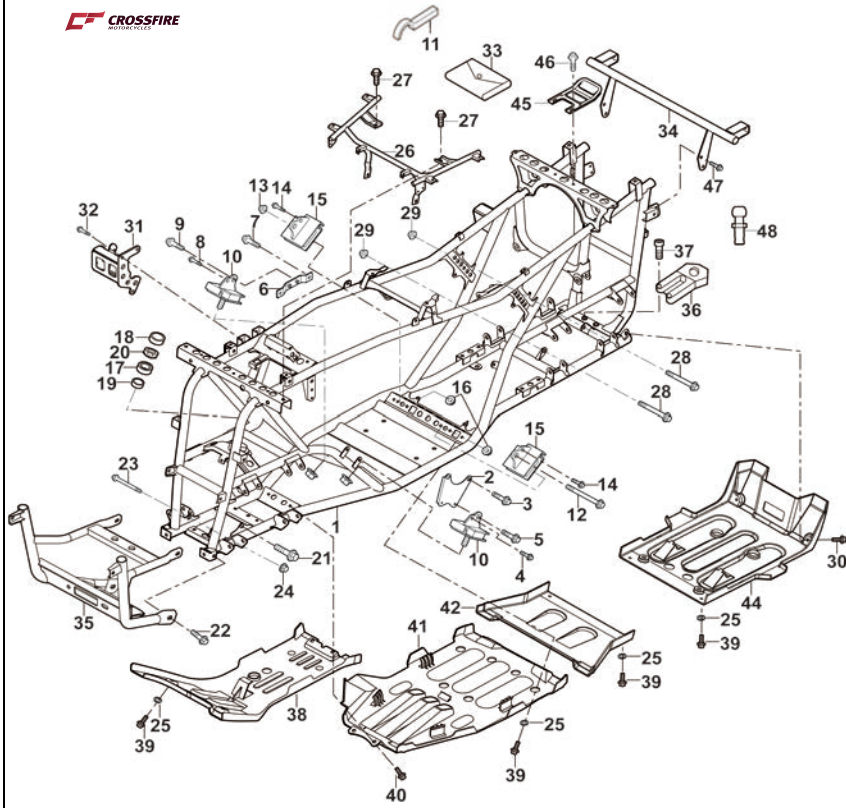


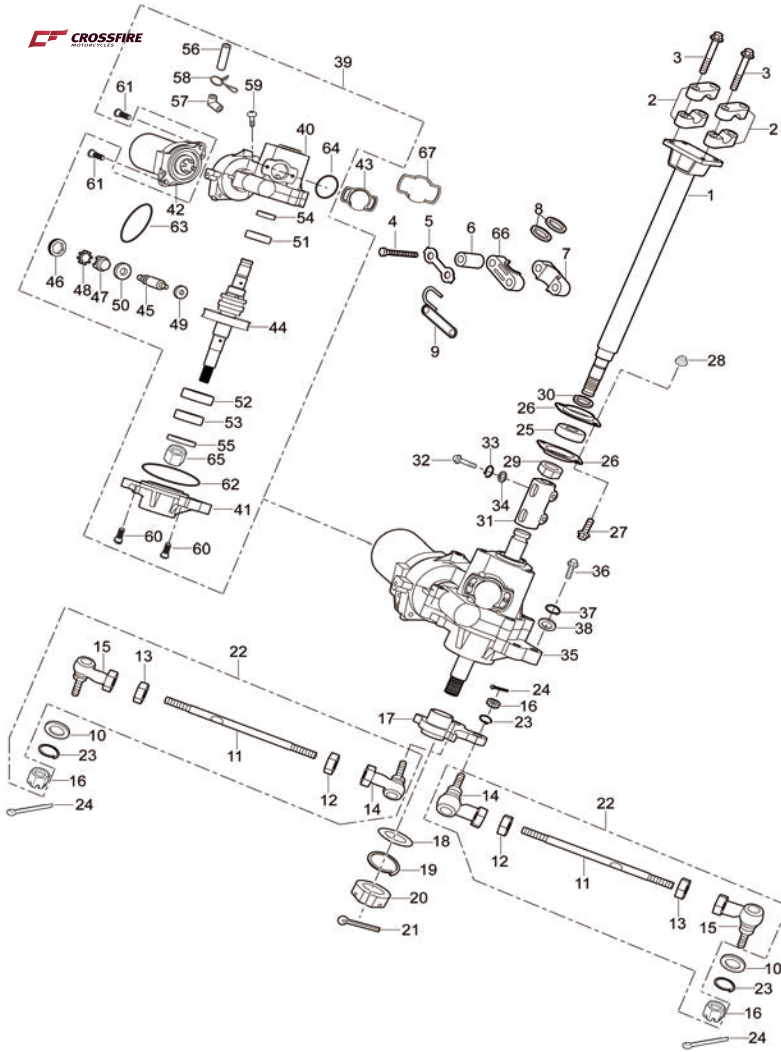
X600 Parts Manual

FRAME



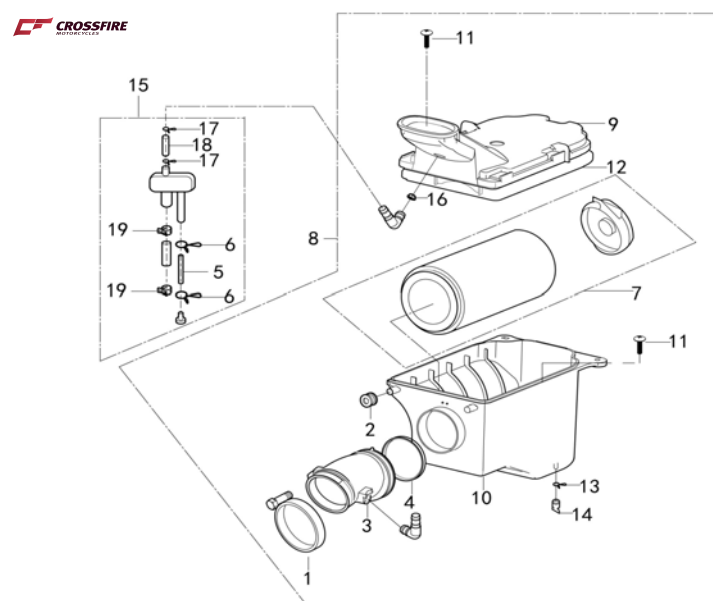
No.	PART No.	DESCRIPTION	QTY
1	P208001511000000	Frame Joint Parts	1
1	P208001511002000	Frame Joint Parts	1
2	P11500002400000	Engine Suspension Support IV	1
3	BGB16674-M8×20	Hexagon Flange Bolt M8×20	2
4	BGB16674-M6×16	Hexagon Flange Bolt M6×16	1
5	BGB16674-M8×20	Hexagon Flange Bolt M8×20	1
6	P11500002300000	Engine Suspension Support III	1
7	BGB16674-M8×20	Hexagon Flange Bolt M8×20	2
8	BGB16674-M6×16	Hexagon Flange Bolt M6×16	1
9	BGB16674-M8×16	Hexagon Flange Bolt M8×16	1
10	P115000050A0000	Engine Rear Suspension Bracket	2
11	P16000891020000	Shock Absorber Adjustment Wrench	1
12	BGB16674-M10×1.25×170	Hexagon Flange Bolt M10×1.25×170	1
13	BGB6187-M10×1.25	Hexagon Flange Locked Nut M10×1.25	1
14	BGB16674-M6×16	Hexagon Flange Bolt M6×16	2
15	P115000070A0000	Engine Front Suspension Bracket	2
16	BGB6187-M10×1.25	Hexagon Flange Locked Nut M10×1.25	2
17	BGB276-6203-2RS	Deep Groove Ball Bearing 6203-2Rs	1
18	P107000911270000	Oil Seal φ24×φ44×7	1
19	P107000911280000	Oil Seal φ24×φ36×8	1
20	PJ00000902350000	Internal Six Angle External Screw Thread Plug M42×1	1
21	BGB16674-M10×1.25×20	Hexagon Flange Bolt M10×1.25×20	2
22	GB/T16674-M8×16	Hexagon Flange Bolt M8×16	4
23	BGB16674-M10×1.25×115	Hexagon Flange Bolt M10×1.25×115	1
24	BGB6187-M10×1.25	Hexagon Flange Locked Nut M10×1.25	1
25	P115000515240000	Cap Washer	6
26	P208001515340000	Front Carrier Support	1
27	BGB16674-M8×20	Hexagon Flange Bolt M8×20	4
28	BGB16674-M10×1.25×110	Hexagon Flange Bolt M10×1.25×110	2
29	BGB6187-M10×1.25	Hexagon Flange Locked Nut M10×1.25	2
30	PJ000009021001000	Hexagon Step Boltm6×10×4×16	2
31	P208001234800000	Gear Shift Arm Mounting Seat I	1
32	BGB16674-M8×20	Hexagon Flange Bolt M8×20	3
33	P107000891100000	Tool Kit	1
34	P208001515070000	Rear Mudguard Bracket	1
35	P208001513030000	Front Bumper Support	1
	P208003513030000	Front Bumper Support	1
36	PJ00000519101600	Hitch Joint Q	1
	PJ00000519101400	Hitch Joint O	1
37	BGB70.1-M10×1.25×25	Hexagon Socket Cap Screw M10×1.25×25	2
38	P107000825050000	Front Bottom Protective Plate	1
39	BGB16674-M6×16	Hexagon Flange Bolt M6×16	6
40	PJ00000902100100	Six Angle Step Bolt M6×10×4×16	2
41	P107000825060000	Middle Bottom Protective Plate	1
42	P208001825070000	Rear Bottom Protective Plate I	1
43	BGB16674-M6×16	Hexagon Flange Bolt M6×16	4
44	P208001825310000	Rear Bottom Protective PlateII	1
45	P212001515800000	Seat Cushion Lock Hook	1
46	BGB16674-M6×16	Hexagon Flange Bolt M6×16	2
47	BGB16674-M6×16	Hexagon Flange Bolt M6×16	4
48	PJ00000519300100	Hitch Ball A	1

STEERING STEM



No.	PART No.	DESCRIPTION	QTY
1	P208001621102000	Steering Stem	1
2	P103000610030000	Fix Bracket,Steering Stem	2
3	BGB16674-M8×55	Hexagon Flange Bolt M8×55	4
4	BGB5783-M8×60	Hexagon Bolt M8×60	2
5	P107000610050000	Steering Stem Locking Clamp	1
6	PJ00000929002100	Cylindrical Bush Φ9×Φ14×43.5	2
7	P102000621220000	Supporting Block,Steering Stem	1
8	PJ000009339000000	Seal Gasket,Steering Stem	2
9	P107000610040100	Wire Hook,Steering Column	1
10	BGB97.1-10	Plain Washer10	4
11	P2080016411100000	Steering Rod	2
12	P107000641120000	Hexagon Nut(L)	2
13	P107000641130000	Hexagon Nut(R)	2
14	P107000641140000	Left Ball Joint	2
15	P107000641150000	Right Ball Joint	2
16	BGB9459-M10×1.25-C	Hexagon Thin Slotted Nut M10×1.25	4
17	P107000621602000	Rocker, Steering Stem	1
18	BGB97.1-16	Plain Washer16	1
19	BGB93-16	Spring Washer16	1
20	BGB9459-M16×1.5-C	Hexagon Thin Slotted Nut M16×1.5	1
21	BGB91-2.5×30	Cotter Pin 2.5×30	1
22	P2080016411000000	Shift Straight Rod Assy	2
23	BGB93-10	Spring Washer10	4
24	BGB91-2×30	Cotter Pin 2×30	2
25	P118000913100000	UD Bearing	1
26	P118000610060000	Bearing Pressure Plate	2
27	BGB16674-M8×20	Hexagon Flange Bolt M8×20	2
28	BGB6187-M8	Hexagon Flange Locked Nut M8	2
29	BGB6184-M22×1.5-H	Hexagon Self-Lock Nuts M22×1.5	1
30	PJ00000929005700	Columniform Bush φ22×φ28×8	1
31	P118000621400000	Steering Column Shaft Sleeve	1
32	BGB16674-M8×35	Hexagon Flange Bolt M8×35	2
33	BGB93-8	Spring Washer8	2
34	BGB97.1-8	Plain Washer8	2
35	P208001622000000	Electric Power Steering	1
36	BGB16674-M8×35	Hexagon Flange Bolt M8×35	4
37	BGB93-8	Spring Washer8	4
38	BGB97.1-8	Plain Washer8	4
39	P107F00624000000	Main part of EPS	1
40	P115H00624500000	Body part of EPS	1
41	P115H00625000000	Bearing Seat, EPS	1
42	P212001622500000	Motor, EPS	1
43	P115H00623000000	Sensor, EPS	1
44	P107F00622050000	Turbine Shaft	1
45	P311001622060000	Endless Screw	1
46	P311001622070000	Inner Hexagon Nut M30*1	1
47	P311001622080000	Metal Pawl, Motor	1
48	P311001622090000	Rubber Pawl, Motor	1
49	BGB276-608-Z	Deep Groove Ball Bearing 608-Z	1
50	GB/T276-1994-16001	Deep Groove Ball Bearing 16001	1
51	BGB276-1994-6004	Deep Groove Ball Bearing 6004	1
52	BGB276-1994-6205	Deep Groove Ball Bearing 6205	1
53	BGB276-1994-16005	Deep Groove Ball Bearing 16005	1
54	P311001622140000	Oil Seal φ20×φ30×8	1
55	P311001622150000	Oil Seal φ27×φ47×7	1
56	P311001622160000	Vent Pipe	1
57	P311001622170000	Breather Adapter	1
58	P311001622030000	Clamp, Vent Pipe	1
59	BGB823-M5×16-BA	Cross Small Plate Head Bolt M5×16 (Zinc Plating-white)	2
60	BGB70.2-M6×40-BA	Hexagon Socket Flat Heads Bolt M6×40 (Zinc Plating-white)	4
61	BGB70.2-M8×25-BA	Hexagon Socket Flat Heads Bolt M8×25 (Zinc Plating-white)	2
62	P311001622110000	Seal Ring φ72×2,Bearing Seat	1
63	P311001622130000	Seal Ring φ58×2.4, Motor	1
64	P311001622120000	Seal Ring φ28×2, Sensor	1
65	P311001622040000	Self-Lock Nut	1
66	P102000621230000	Supporting Block, Steering Stem	1
67	P115000622180000	Sensor Cover of EPS	1

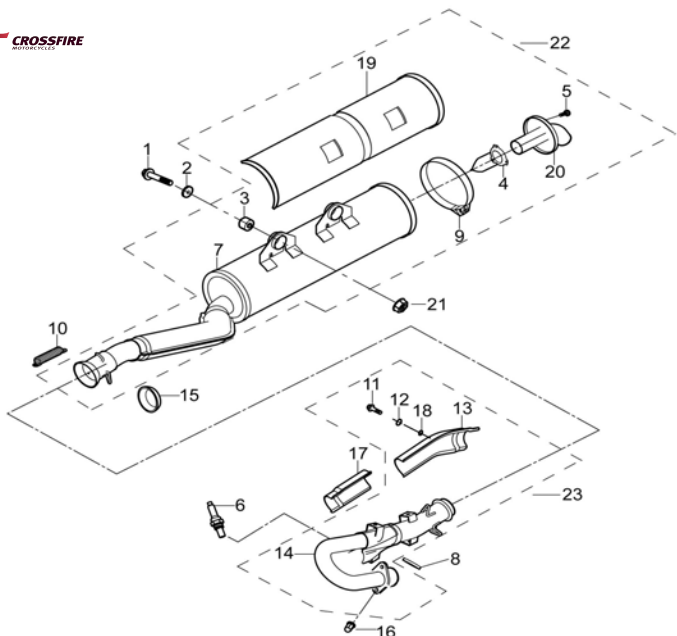
AIR FILTER



No.	PART No.	DESCRIPTION	QTY
1	PJ00000907300900	Locking Hoop J	1
2	PJ00000931250600	Damping Pad φ10×5	2
3	P107F00172090000	Secondary Outlet Pipe	1
4	PJ00000907300900	Locking Hoop J	2
5	P104000188020000	Egr Tube II	1
6	PJ00000964000900	Steel Clip Φ12	2
7	P1070001722A0000	Secondary Air Filter Element	4
7	P1070001722A0001	Secondary Air Filter Element	1
8	P107F00172000000	Secondary Air Filter Assy	1
8	P107F00172000001	Secondary Air Filter Assy	1
9	P107000172040000	Secondary Filter Cap	1
10	P107000172010000	Secondary Filter Shell	1
11	PJ00000905200000	Cross Large Plate Head Screw M5×12	5
12	P107000172070000	Seal Ring,Secondary Filter	1
13	PJ00000964001400	Steel Clip Φ22	4
13	PJ00000964000300	Steel Clip Φ24	1
14	P107000171020000	Drainage Cap	2
15	P104000174100000	Oil&Air Separator	1
16	PJ00000931250100	Damping Pad φ8×6.5	1
17	PJ00000964001000	Steel Clip Φ13	2
18	P107000188010000	Egr Tube I	1
19	PJ00000907100700	Elastic Hoop H	2

MUFFLER

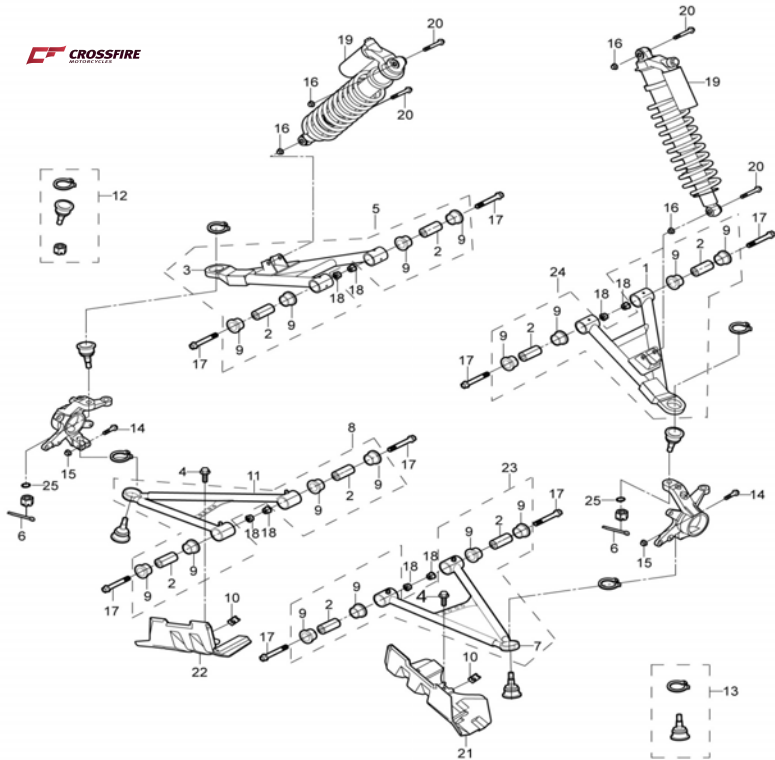
CROSSFIRE



No.	PART No.	DESCRIPTION	QTY
1	BGB16674-M8x45	Hexagon Flange Bolt M8x45	2
2	P107000180060000	Muffler Gasket	2
3	P115000180050000	Suspension Bushing	2
4	P1150001830A0000	Flame Screen	1
5	BGB70.1-M6x20-B	Hexagon Socket Cap Screw M6x20	3
6	P116000391600000	Oxygen Sensor	1
7	P1070001810A0000	Muffler Tube	1
8	PJ00000180200600	Seal Ring $\Phi 38 \times \Phi 48 \times 5$	1
9	PJ00000907301400	Locking Hoop O	3
10	PJ00000961000000	Draw Spring A	3
11	BGB16674-M6x12	Hexagon Flange Bolt M6x12	6
12	BGB97.1-6-B	Plain Washer6	6
13	P107F00182010000	Exhaust Pipe Shield I	1
14	P104F001821A0000	Exhaust Pipe I	1
15	PJ00000180500200	Sealing Gasket,Hemispherical $\Phi 42$	1
16	PJ00000903460200	Cap Nut M8x32	4
17	P107000182020000	Exhaust Pipe Shield II	1
18	BGB93-6-B	Spring Washer6	6
19	P107000180030000	Shield,Muffler Tube	1
20	P1070001840A0000	Tail Pipe, Exhaust	1
21	BGB6177.1-M8	Hexagon Flange Bolt M8	2
22	P107000181000000	Muffler Assy	1
23	P104F00182100000	Exhaust Pipe I	1

FRONT SUSPENSION

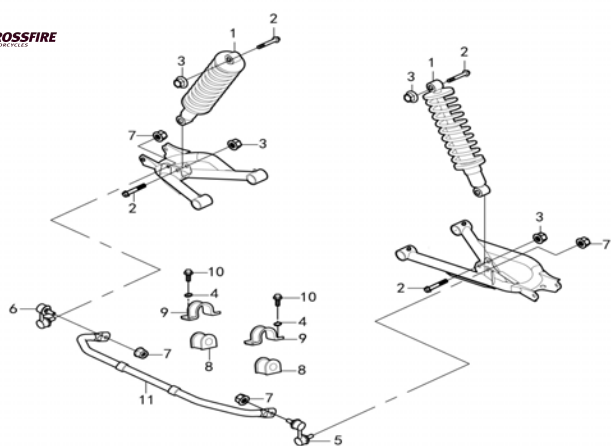
CROSSFIRE



No.	PART No.	DESCRIPTION	QTY
1	P2080015230A0000	Front Left Upper Swing Arm	1
2	PJ00000929009400	Cylindrical Bush - $\Phi 10.3 \times \Phi 23 \times 49.4$	8
2	PJ00000929009401	Cylindrical Bush $\Phi 10.3 \times \Phi 23 \times 49.4$	8
3	P2080015240A0000	Front Right Upper Swing Arm	1
4	BGB16674-M6x12	Hexagon Flange Bolt M6x12	2
5	P208001524000000	Front Right Upper Swing Arm Assy	1
6	BGB91-2.5x30	Cotter Pin 2.5x30	2
7	P2080015235A0000	Front Left Lower Swing Arm	1
8	P107L00523500000	Front Right Lower Swing Arm Assy	1
9	PJ00000925000201	Nylon Flanging Bush $\varnothing 23 \times \varnothing 28$	16
10	PJ00000903500300	Nut Holder M6x2	2
11	P2080015245A0000	Front Right Lower Swing Arm	1
12	PJ000005250A0401	Ball Joint I,Steering Knuckle	2
13	PJ000005250A0100	Ball Joint B,Steering Knuckle	2
14	BGB16674-M10x1.25x40	Hexagon Flange Bolt M10x1.25x40	2
15	BGB6187-M10x1.25	Hexagon Flange Locked Nut M10x1.25	2
16	BGB6187-M10x1.25	Hexagon Flange Locked Nut M10x1.25	4
17	BGB16674-M10x1.25x70	Hexagon Flange Bolt M10x1.25x70	8
18	BGB6187-M10x1.25	Hexagon Flange Locked Nut M10x1.25	8
19	PJ00000521001900	Front Shock Absorber	2
19	PJ00000521003100	Front Shock Absorber Q	2
20	BGB16674-M10x1.25x50	Hexagon Flange Bolt M10x1.25x50	4
21	P107000825080000	Front Swing Arm Shield (L)	1
22	P107000825090000	Front Swing Arm Shield (R)	1
23	P107L00524500000	Front Left Lower Swing Arm Assy	1
24	P208001523000000	Front Left Upper Swing Arm Assy	1
25	BGB93-10	Spring Washer 10	2

REAR SUSPENSION

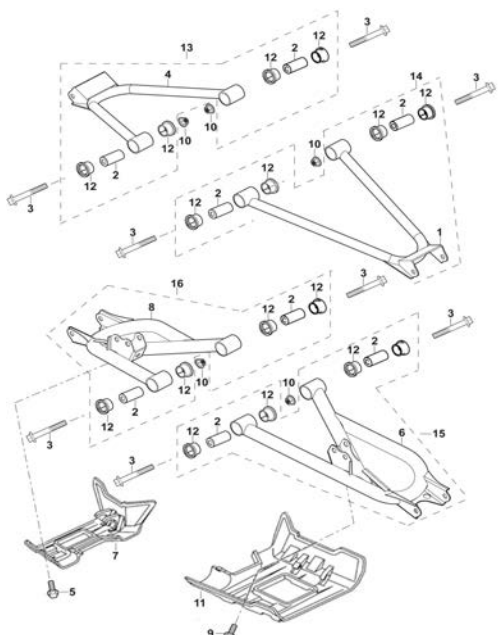
CROSSFIRE



No.	PART No.	DESCRIPTION	QTY
1	PJ00000551001900	Front Shock Absorber	2
1	PJ00000551003100	Rear Shock Absorber Q	2
2	BGB16674-M10x1.25x50	Hexagon Flange Bolt M10x1.25x50	4
3	BGB6187-M10x1.25	Hexagon Flange Locked Nut M10x1.25	4
4	BGB93-8	Spring Washer10	4
5	P115000557450000	Right Ball Joint,Balancing Lever	1
6	P115000557440000	Left Ball Joint,Balancing Lever	1
7	BGB6187-M10x1.25	Hexagon Flange Locked Nut M10x1.25	4
8	PJ00000931400200	Rubber Sleeve $\varnothing 22 \times 35$	2
9	P107000515900000	Press Block, Rear Anti-Roll Bar	2
10	BGB16674-M8x16	Hexagon Flange Bolt M8x16	4
11	P103E005574A0000	Rear Balancing Lever	1

REAR SWING ARM

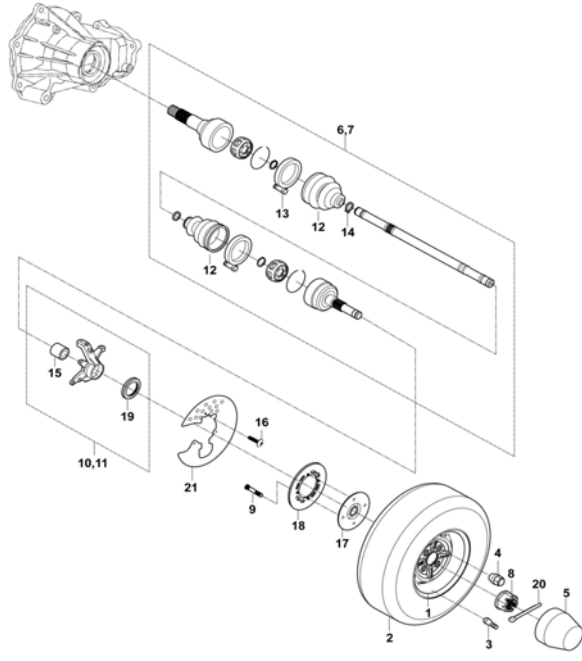
CROSSFIRE



No.	PART No.	DESCRIPTION	QTY
1	P107L005530A0000	Rear Left Upper Swing Arm	1
2	PJ00000929009400	Cylindrical Bush - $\Phi 10.3 \times \Phi 23 \times 49.4$	8
2	PJ00000929009401	Cylindrical Bush $\Phi 10.3 \times \Phi 23 \times 49.4$	8
3	BGB16674-M10x1.25x70	Hexagon Flange Bolt M10x1.25x70	8
4	P107L005540A0000	Rear Right Upper Swing Arm	1
5	BGB16674-M6x12	Hexagon Flange Bolt M6x12	2
6	P107L005535A0000	Rear Left Lower Swing Arm	1
7	P107000825110000	Rear Swing Arm Shield (R)	1
8	P107L005545A0000	Rear Right Lower Swing Arm	1
9	BGB16674-M6x12	Hexagon Flange Bolt M6x12	2
10	BGB6187-M10x1.25	Hexagon Flange Locked Nut M10x1.25	8
11	P107000825100000	Rear Swing Arm Shield (L)	1
12	PJ00000925000201	Nylon Flanging Bush $\varnothing 23 \times \varnothing 28$	16
13	P107L00554000000	Rear Right Upper Swing Arm Assy	1
14	P107L00553000000	Rear Left Upper Swing Arm Assy	1
15	P107L00553500000	Rear Left Lower Swing Arm Assy	1
16	P107L00554500000	Rear Right Lower Swing Arm Assy	1

FRONT WHEEL

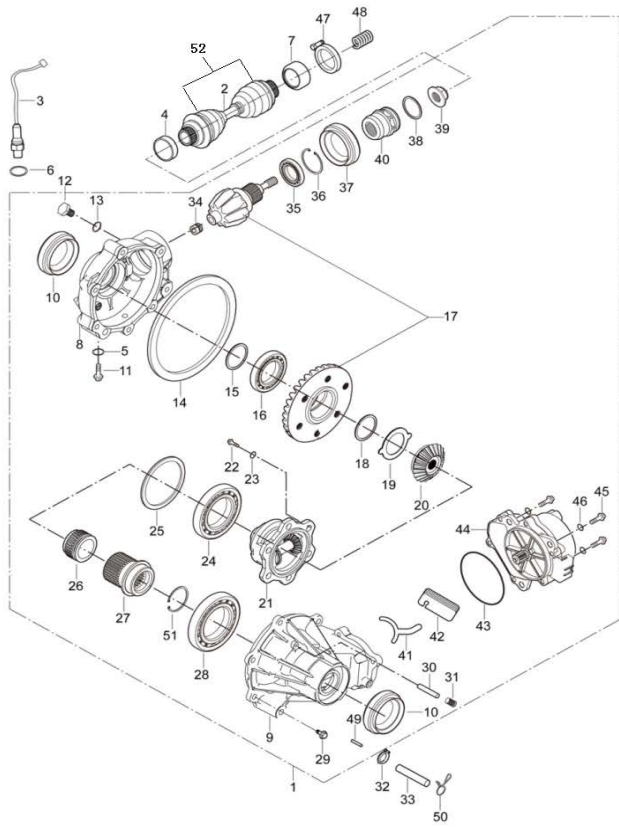
CROSSFIRE



No.	PART No.	DESCRIPTION	QTY
1	PJ00000411220200	Front Rim(F103,Steel,Black)	1
2	PJ00000411213000	Front Tyre	1
3	P1150004113A0000	Valve Core	2
4	PJ00000903450000	Nut M10×1.25	8
5	PJ00000410040600	Wheel Cap G	2
6	PJ00000261000400	Front Left C.V Axle E	1
7	PJ00000262000300	Front Right C.V Axle D	1
8	BGB9459-M24×1.5-C	Hexagon Thin Slotted Nut M24×1.5	2
8	BGB9459-M20×1.5	Hexagon Thin Slotted Nut M20×1.5	2
9	PJ00000902200000	Inner Hexagon Cone Bolt With Pan M8	8
10	P110000527100000	Front Left Knuckle Assy.	1
11	P110000527200000	Front Right Knuckle Assy.	1
12	PJ00000260020500	Rubber Dust-Cover F	4
13	PJ00000265000200	Hoop C	2
14	PJ00000265000300	Hoop D	2
15	P107000521060000	Bearing,Front Knuckle	2
16	PJ00000905200400	Cross Large Plate Head Screw M6×12	4
17	P107000461100000	Mounting Bracket For Front Hub	2
18	P107000444530000	Front Brake Plate	2
19	BGB893.1-d0=55	Circlip D0=55	2
20	BGB91-3.2×50	Cotter Pin 3.2×50	2
21	P107000515610000	Protective Cover , Front Brake Disc	2

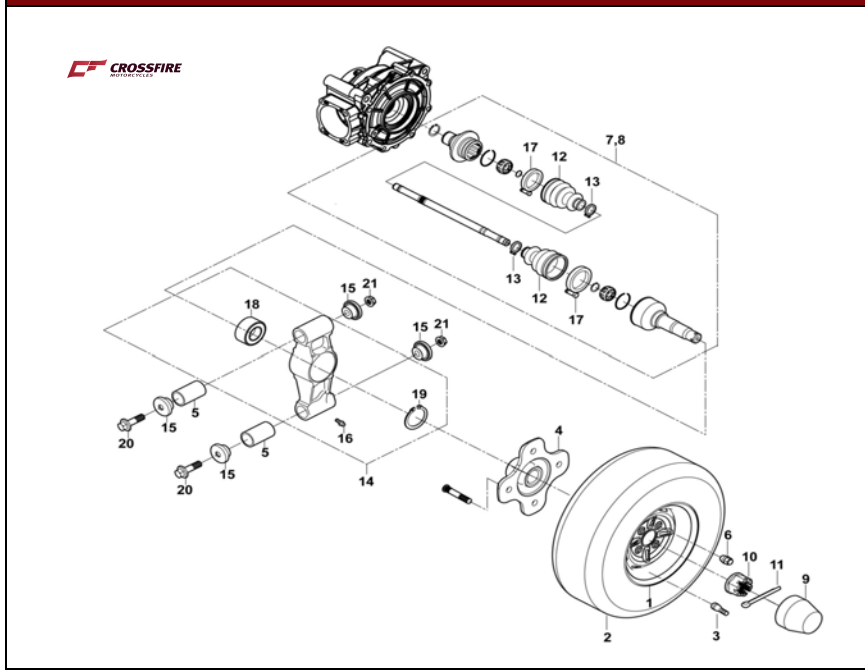
FRONT CASE

CROSSFIRE



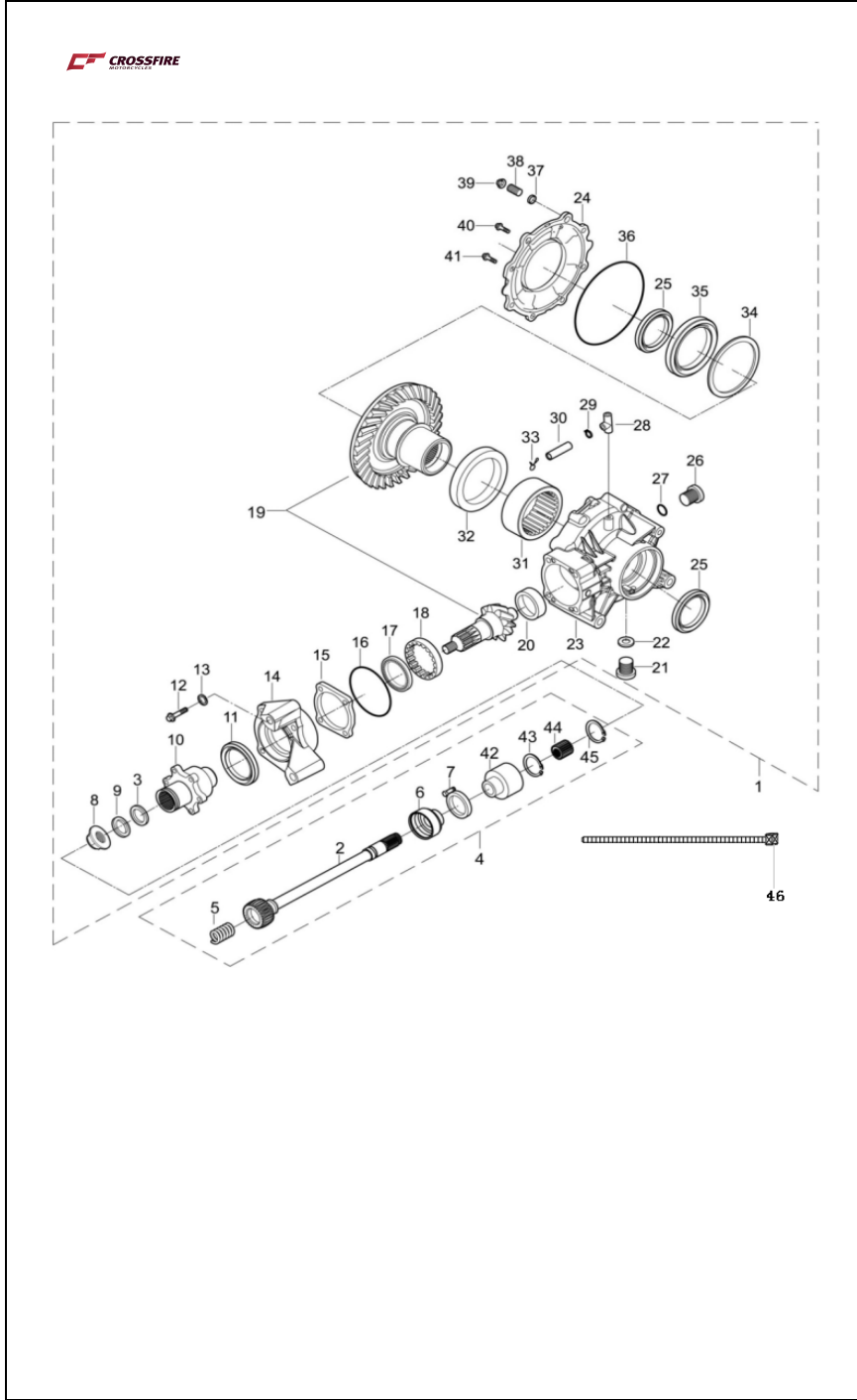
No.	PART No.	DESCRIPTION	QTY
1	P107000271000000	Front Differential Assy	1
2	P107000252100000	Front Drive Shaft Assy, Front Diff.	1
3	P107000363000000	Speed-Sensor	4
	P107000363000001	Speed Sensor	1
	P107000363000002	Speed Sensor	1
	P107000363000100	Speed Sensor	1
4	PJ00000260020200	Rubber Dust-Cover C	1
5	P115000272630000	Oil Drain Plug O-Ring Φ1.5×Φ9	1
6	BGB3452.1-1992-φ19×φ1.8	Rubber O-Ring Φ19×Φ1.8	1
7	PJ00000260020100	Rubber Dust-Cover B	1
8	P107000271040000	Front Axle Gear Box	1
9	P107000271030000	Front Axle Gear Box Cover	1
10	P115000911220000	Front Diff. Output Shaft Oil Sealφ24×φ38×8	2
11	BGB16674-M10×1.25×16	Hexagon Flange Bolt M10×1.25×16	1
12	P115000271520000	Bolt M14×1.5×10	1
13	BJB6659-φ12.5×φ1.5	Rubber O-Ring Φ12.5×Φ1.5	1
14	BGB3452.1-Φ140×Φ2.65	O-Ring Φ140×Φ2.65	1
15	PJ00000273000000	Adjustment Gasket I φ50×φ61.5	1
16	BGB276-6007	Deep Groove Ball Bearing 6007	1
17	P107000271510000	Drive&Driven Gears Assy, Front Axle	
18	PJ00000273000600	Adjustment Gasket Φ40×Φ57×0.1	1
19	P115000271080000	Anti-Rotation Gasket	1
20	P107000271110000	Bevel Gear, Front Axle	1
21	P107000271120000	Transfer Gear	1
22	BGB5783-M10×1.25×16	Bolt M10×1.25×16	6
23	BGB97.1-10	Plain Washer10	6
24	BGB276-61912	Deep Groove Ball Bearing 61912	1
25	PJ00000273000300	Adjustment Gasket Φ71×Φ83×0.1	1
26	P107000271140000	Sliding Sleeve	1
27	P115000271150000	Divide Device Connection	1
28	BGB276-16007	Deep Groove Ball Bearing 16007	1
29	BGB16674-M8×25	Hexagon Flange Bolt M8×25	6
30	P115000271160000	Cylindrical Pin Φ5×75	1
31	P107000271170000	Inner Hexagon Screw With Flat Head M8×10	1
32	PJ00000907100200	Elastic Hoop C	1
33	PJ00000274000000	Pipe A	1
34	P115000929010000	Needle Bearing Φ15×Φ21×12	1
35	BGB276-6007	Deep Groove Ball Bearing 6007	1
36	BGB893.1-d0=62	Circlip D0=62	1
37	P115000911150000	Oil Seal Φ48×Φ65×9, Driving Tooth	1
38	P115000271390000	O-Ring Φ14×Φ7 , Driving Tooth	1
39	BGB6187-M14×1.5	Hexagon Flange Locked Nut M14×1.5	1
40	P107000271310000	Drive Gear Connecting Seat	1
41	P115000271190000	Fork	1
42	P115000271200000	Spline	1
43	P115000271410000	O-Ring Φ81×Φ2	1
44	P115000271210000	Transfer Case Assembly	1
45	BGB70.1-M8×20	Hexagon Socket Cap Screw M8×20	3
46	BGB97.1-8	Plain Washer8	3
47	PJ00000907300600	Locking Hoop G	2
48	PJ00000251030200	Compression Spring C	1
49	P107000271220000	Air Tap,Front Axle	1
50	PJ00000964001300	Steel Clip Φ10	1
51	BGB893.1-d0=62	Circlip D0=62	1
52	PJ00000260021400	Dust-Rubber-N	2
52	PJ00000260020800	Rubber Dust-cover K	2

REAR WHEEL



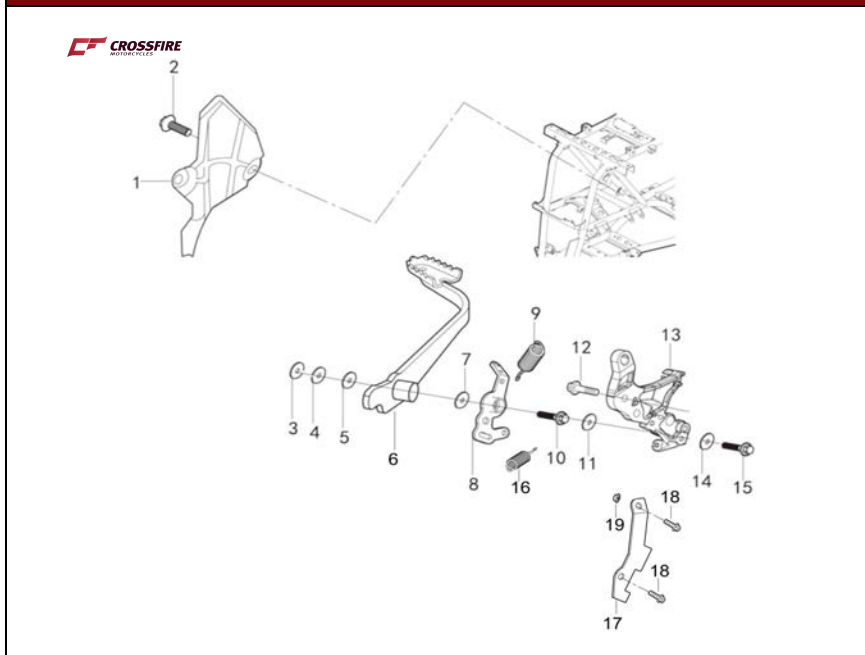
No.	PART No.	DESCRIPTION	QTY
1	PJ00000411620200	Rear Rim(F103,Steel,Black)	2
2	PJ00000411610900	Rear Tyre	2
3	P1150004113A0000	Valve Core	2
4	P107000462100000	Mounting Bracket ,Rear Hub	2
5	P107000557020000	Axle Sleeve Liner	4
6	PJ00000903450000	Nut M10×1.25	8
7	PJ00000263000400	Rear Left C.V Axle E	1
8	PJ00000264000400	Rear Right C.V Axle E	1
9	PJ00000410040700	Wheel Cap H	2
10	BGB9459-M20×1.5	Hexagon Thin Slotted Nut M20×1.5	2
11	BGB91-3.2×50	Cotter Pin 3.2×50	2
12	PJ00000260020500	Rubber Dust-Cover F	4
13	PJ00000265000300	Hoop D	4
14	P107000557300000	Rear Knuckle	2
15	P107000557030000	Dust P. Cover	8
16	P115000521070000	Nozzle,Knuckle	2
17	PJ00000265000200	Hoop C	4
18	P107000521060000	Bearing,Front Knuckle	2
19	BGB893.1-d0=55	Circlip D0=55	2
20	BGB16674-M10×1.25×95	Hexagon Flange Bolt M10×1.25×95	4
21	BGB6187-M10×1.25	Hexagon Flange Locked Nut M10×1.25	4

TRANSMISSION CASE, REAR AXLE



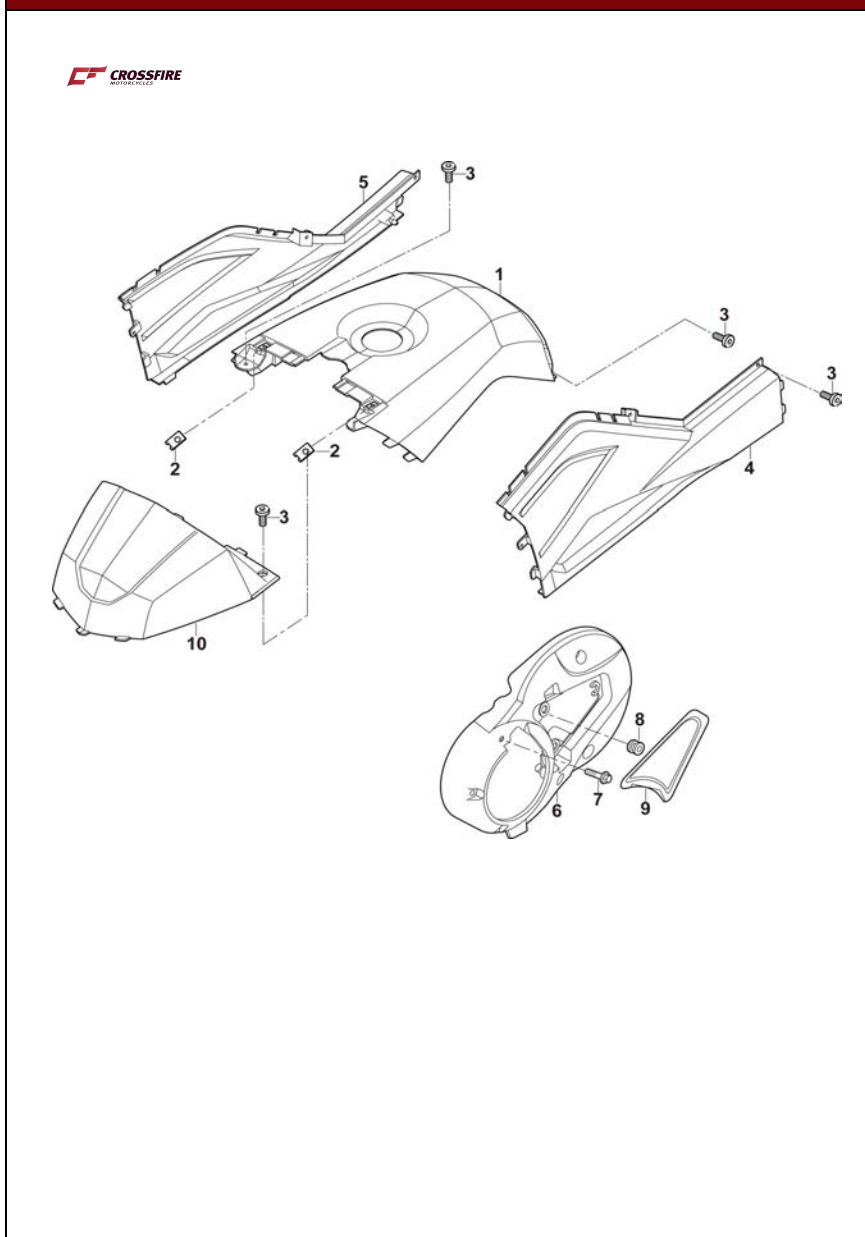
No.	PART No.	DESCRIPTION	QTY
1	P107000272001000	Rear Reducer Assy	1
2	PJ00000252000500	Rear Drive Shaft,Rear Axle F	1
3	P115000272150000	O-Ring φ3×φ24	1
4	P208001253100000	Rear Drive Shaft Assy,Rear Axle	1
5	PJ00000251030300	Drive Shaft Sping D	1
6	PJ00000251020900	Dustproof Sleeve-K	4
7	PJ00000251021000	Rear Dustproof Rubber Sleeve L	1
8	PJ00000251050000	Dustproof Hoop A	1
9	BGB6187-M12×1.25	Hexagon Flange Locked Nut M12×1.25	1
10	P115000272140000	Washer,Drive Gears	1
11	P115000911160000	Oil Seal φ61×φ35×9, Input Shaft	1
12	BGB16674-M8×35	Hexagon Flange Bolt M8×35	4
13	BGB97.1-8	Plain Washer8	4
14	P107000272161000	Mount Bracket,Parking Brake	1
15	PJ00000273001300	Adjustment Gasket φ78×φ93×0.1	1
16	P115000272410000	O-Ring φ3.1×φ63.8	1
17	BGB276-6305	Deep Groove Ball Bearing 6305	1
18	P107000272180000	Sleeve	1
19	P107000272310000	Drive&Driven Gears Assy, Rear Axle	1
20	P115000929020000	Needlebearing φ22×φ30×13	1
21	BGB16674-M14×1.5×10	Hexagon Flange Bolt M14×1.5×10	1
22	P115000272640000	Oil Drain Plug O-Ring φ1.5×φ13	1
23	P107000272020000	Rear Axle Gear Box	1
24	P107000272010000	Rear Axle Gear Box Cover	1
25	P115000911170000	O-Ringφ65×φ90×9	2
26	P115000272290000	Oil Filling Bolt, Rear Axle	1
27	BGB3452.1-φ19×φ1.8	Rubber O-Ring φ19×φ1.8	1
28	P115000272230000	Air Tap,Rear Axle	1
29	PJ00000907100200	Elastic Hoop C	1
30	PJ00000274000100	Vent Pipe B	1
31	P115000929030000	Needlebearing φ55×φ67×20	1
32	PJ00000273001200	Adjustment Gasket φ55.2×φ66.8×1.7	1
33	PJ00000964001300	Steel Clip φ10	1
34	PJ00000273000900	Adjustment Gasket φ86×φ100×0.1	1
35	BGB276-16017	Deep Groove Ball Bearing 16017	1
36	P115000272550000	O-Ring φ3.1×φ150, Rear Differential Case Cover	1
37	P115000272270000	Copper Gasket φ8.2X1	1
38	P115000272280000	Inner Hexagon Half-Round Screw M8×45	1
39	BGB6187-M8	Hexagon Flange Locked Nut M8	1
40	BGB16674-M8×25	Hexagon Flange Bolt M8×25	6
41	BGB16674-M10×1.25×25	Hexagon Flange Bolt M10×1.25×25	2
42	PJ00000251021000	Rear Dustproof Rubber Sleeve L	4
43	PJ00000251020900	Dustproof Sleeve K	1
44	BGB894.1-d0=19	Circlip D0=19	1
45	PJ00000251070000	Adapter Sleeve A,Transmission Shaft	1
46	BGB894.1-d0=22	Circlip D0=22	1
46	P115000896520000	Zip tie	1

REAR BRAKE



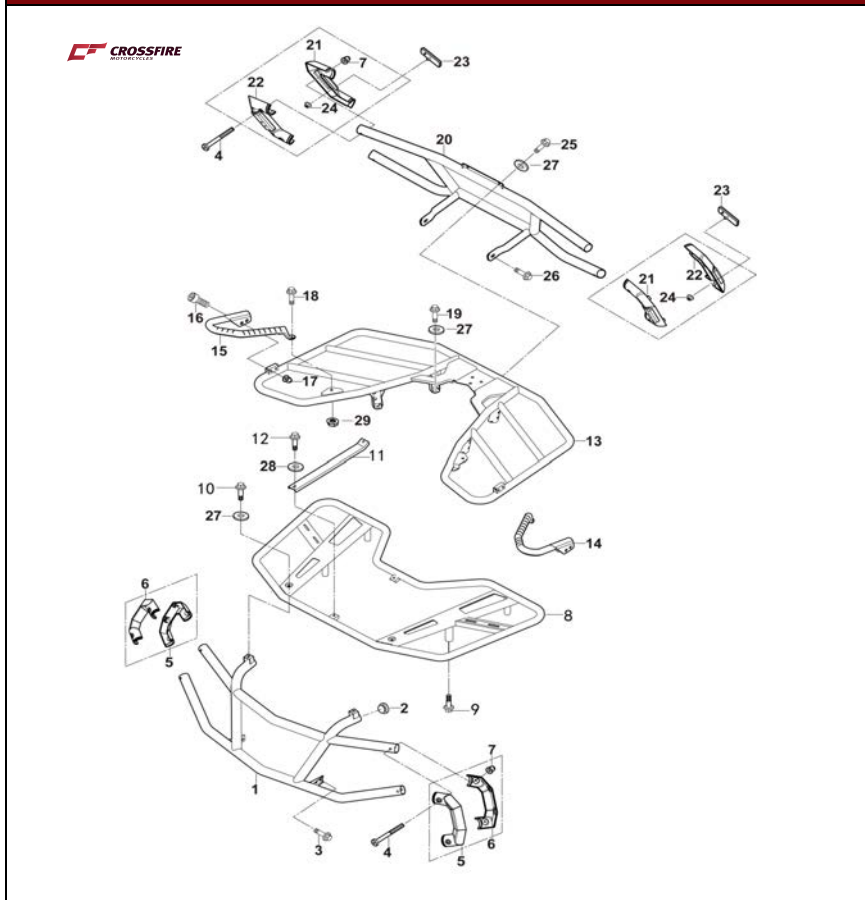
No.	PART No.	DESCRIPTION	QTY
1	P107000182030000	Shield Iii,Muffler Tube	1
2	BGB16674-M6×12	Hexagon Flange Bolt M6×12	2
3	BGB896-12	Circlip φ12	1
4	PJ00000906050700	Plain Washerφ15×φ22×1.5	1
5	BGB955-d1=14	Spring Washerd1=14	1
6	P1070004311A0000	Parking Pedal	1
7	PJ00000906050700	Plain Washerφ15×φ22×1.5	1
8	P107000515080000	Brake Pedal Mounting Plate	1
9	PJ00000961001000	Tension Spring K	1
10	PJ00000902190000	Brake Pin	1
11	BGB97.1-8	Plain Washer8	1
12	BGB16674-M8×25	Hexagon Flange Bolt M8×25	2
13	P107000510241000	Brake Pump Bracket	1
14	BGB97.1-8	Plain Washer8	1
15	BGB16674-M8×25	Hexagon Flange Bolt M8×25	1
16	PJ00000961000800	Tension Spring I	1
17	P107000516230000	Oil Cup Bracket,Rearbrake	1
18	BGB16674-M6×16	Hexagon Flange Bolt M6×16	2
19	BGB6170-M6	Hexagon Nut M6	1

FUEL TANK COVER COMP



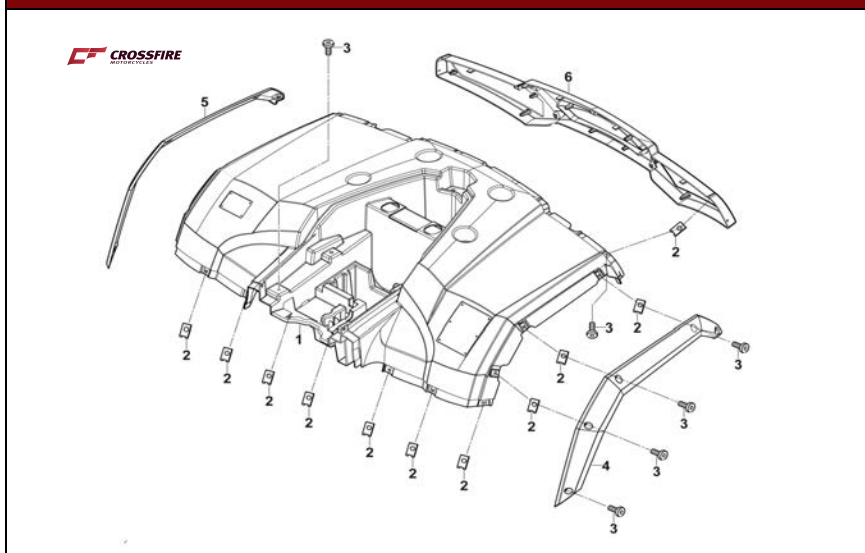
No.	PART No.	DESCRIPTION	QTY
1	P2080018241000033	Fuel Tank Cover (Red)	1
	P2080018241000070	Fuel Tank Cover (Blue)	
	P2080018241000012	Fuel Tank Cover(White)	
	P2080018241000022	Fuel Tank Cover(Black)	
	P2080018241000062	Fuel Tank Cover(Dack Green)	
	P2080018241000040	Fuel Tank Cover(Orange)	
	P2080018241000031	Fuel Tank Cover(Dark Red)	
	P2080018241000052	Fuel Tank Cover(Orange Yellow)	
	P2080018241000092	Fuel Tank Cover(Green Camouflage)	
	P2080018241000093	Fuel Tank Cover(Vista Camouflage)	
	P2080018241000064	Fuel Tank Cover(New Dack Green)	
2	PJ00000903500300	Nut Holder M6×2	4
3	PJ00000902250100	Socket Hexagon Screw M6×16	6
4	P20800182408000033	Fuel Tank Left Cover (Red)	1
	P20800182408000070	Fuel Tank Left Cover (Blue)	1
	P20800182408000012	Fuel Tank Left Cover(White)	1
	P20800182408000022	Fuel Tank Left Cover(Black)	1
	P20800182408000062	Fuel Tank Left Cover(Dark Green)	1
	P20800182408000040	Fuel Tank Left Cover(Orange)	1
	P20800182108000031	Fuel Tank Left Cover(Dark Red)	1
	P20800182408000052	Fuel Tank Left Cover(Orange Yellow)	1
	P20800182408000092	Fuel Tank Left Cover(Green Camouflage)	1
	P20800182408000093	Fuel Tank Left Cover(Vista Camouflage)	1
	P20800182408000064	Fuel Tank Left Cover(New Dack Green)	1
5	P20800182409000033	Fuel Tank Right Cover (Red)	1
	P20800182409000070	Fuel Tank Right Cover (Blue)	1
	P20800182409000012	Fuel Tank Right Cover(White)	1
	P20800182409000022	Fuel Tank Right Cover(Black)	1
	P20800182409000062	Fuel Tank Right Cover(Dark Green)	1
	P20800182409000040	Fuel Tank Right Cover(Orange)	1
	P20800182409000031	Fuel Tank Right Cover(Dark Red)	1
	P20800182409000052	Fuel Tank Right Cover(Orange Yellow)	1
	P20800182409000092	Fuel Tank Right Cover(Green Camouflage)	1
	P20800182409000093	Fuel Tank Right Cover(Vista Camouflage)	1
	P20800182409000064	Fuel Tank Right Cover(New Dack Green)	1
6	P107000825190000	Decorative Cover I, Engine	1
7	BGB16674-M6×20	Hexagon Flange Bolt M6×20	6
8	PJ00000931250200	Rubber Damping Gasket φ9×2.5	3
9	P107000825200000	Decorative Cover II, Engine	1
10	P208001823080000	Dashboard Cover	1

CARRIER



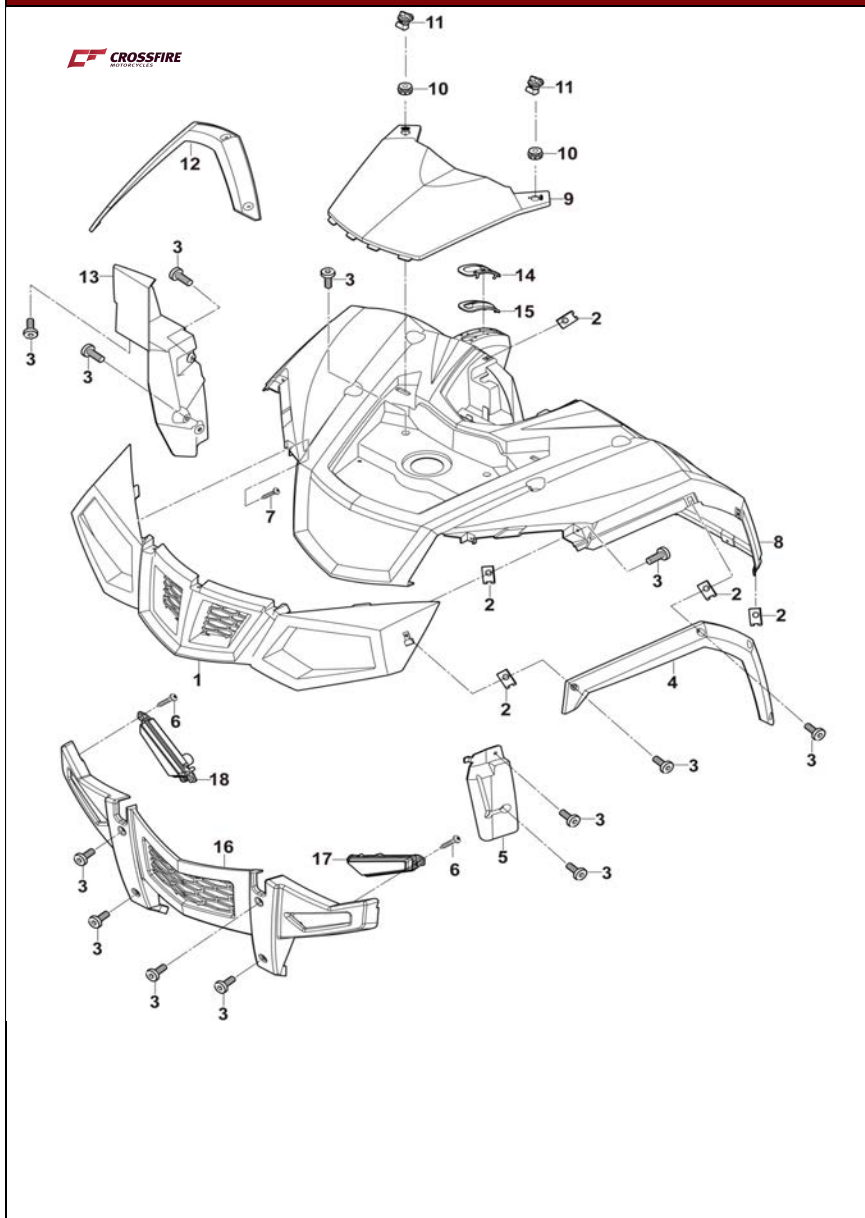
No.	PART No.	DESCRIPTION	QTY
1	P208001513000000	Front Bumper	1
2	PJ00000924400100	Plastic Plug φ32	2
3	BGB16674-M8×20	Hexagon Flange Bolt M8×20	2
4	BGB16674-M6×45	Hexagon Flange Bolt M6×45	8
5	P208001821020000	Diamond Plate Seat I	2
6	P208001821030000	Diamond Plate Cover I	2
7	PJ00000903460000	Cap Nut M6×14	8
8	P208001513500000	Front Carrier	1
9	BGB70.1-2000-M8×25	Hexagon Socket Cap Screw M8×35	4
10	PJ00000902260200	Socket Hexagon Screw M8×20	2
11	P208001513510000	Connection Plate,Front Carrier	1
12	PJ00000902250100	Socket Hexagon Screw M6×16	2
13	P208001514500000	Rear Carrier	1
14	P1180007221A0000	Armrest I	1
15	P1180007222A0000	Armrest II	1
16	BGB70.1-M8×35	Hexagon Socket Cap Screw M8×35	4
17	BGB923-M8×15	Cap Nut M8×15	4
18	PJ00000902260100	Socket Hexagon Screw M8×16	2
19	PJ00000902260200	Socket Hexagon Screw M8×20	4
20	P208001514000000	Rear Bumper	1
21	P208001821040000	Diamond Plate Seat II	2
22	P208001821050000	Diamond Plate Cover II	2
23	P102000348100000	Rear Reflector	2
24	BGB6177.1-M5	Hexagon Flange Nut M5	2
25	PJ00000902260100	Socket Hexagon Screw M8×16	2
26	BGB16674-M8×20	Hexagon Flange Bolt M8×20	2
27	BGB97.1-8	Plain Washer8	8
28	BGB97.1-6	Plain Washer6	2
29	BGB6177.1-M8	Hexagon Flange Bolt M8	2

REAR FRAME BODY



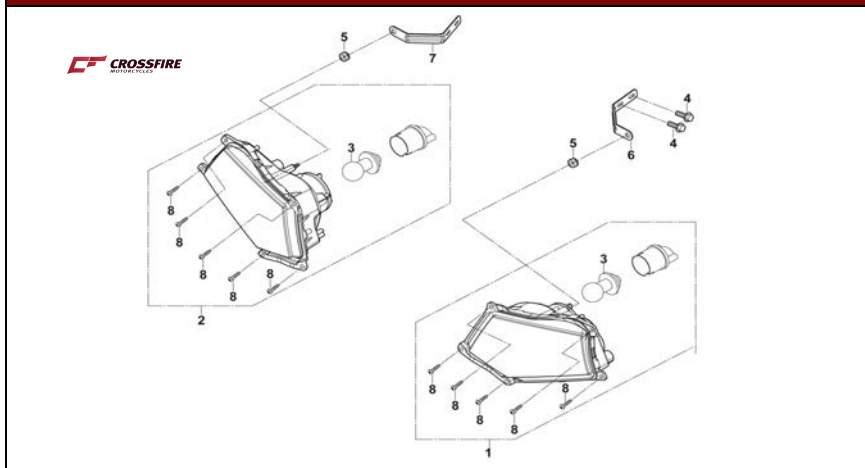
No.	PART No.	DESCRIPTION	QTY
1	P20800182802000033	Rear Body Cover (Red)	1
	P20800182802000070	Rear Body Cover (Blue)	
	P20800182802000012	Rear Body Cover(White)	
	P20800182802000022	Rear Body Cover(Black)	
	P20800182802000062	Rear Body Cover(Dark Green)	
	P20800182802000040	Rear Body Cover(Orange)	
	P20800182802000031	Rear Body Cover(Dark Red)	
	P20800182802000052	Rear Body Cover(Orange Yellow)	
	P20800182802000092	Rear Body Cover(Green Camouflage)	
	P20800182802000093	Rear Body Cover (Yellow Camo Vista Color)	
	P20800182802000064	Rear Body Cover(New Dark Green)	
2	PJ00000903500300	Nut Holder M6×2	19
3	PJ00000902250100	Socket Hexagon Screw M6×16	19
4	P208001828070000	Left Fender I, Rear Cover	1
5	P208001828080000	Right Fender I, Rear Cover	1
6	P208001828010000	Taillight Mounting Cover	1

FRONT FRAME BODY



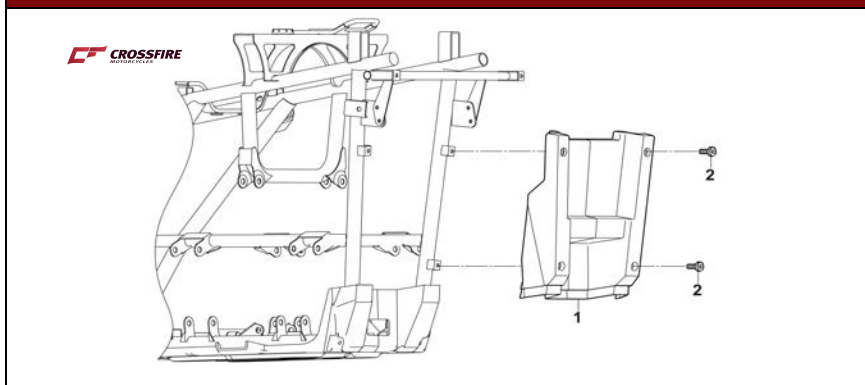
No.	PART No.	DESCRIPTION	QTY	
1	P208001822010000	Mounting Plate, Headlight	1	
2	PJ00000903500300	Nut Holder M6×2	20	
3	PJ00000902250100	Socket Hexagon Screw M6×16	26	
4	P208001822070000	Left Fender I, Rear Cover	1	
5	P208001825010000	Right Fender I, Rear Cover	1	
6	BGB845-ST4.8×13	Cross Recessed Pan Head Tapping Screw ST4.8×13	6	
7	BGB845-ST4.8×13	Cross Recessed Pan Head Tapping Screw ST4.8×13	2	
8	P20800182208000033	Front Body Cover (Red)	1	
	P20800182208000070	Front Body Cover (Blue)	1	
	P20800182208000012	Front Body Cover(White)	1	
	P20800182208000022	Front Body Cover(Black)	1	
	P20800182208000062	Front Body Cover(Dark Green)	1	
	P20800182208000040	Front Body Cover(Orange)	1	
	P20800182208000031	Front Body Cover(Dark Red)	1	
	P20800182208000052	Front Body Cover(Orange Yellow)	1	
	P20800182208000092	Front Body Cover(Green Camouflage)	1	
	P20800182208000093	Front Body Cover(Yellow Camo Vista Color)	1	
	P20800182208000064	Front Body Cover(New Dark Green)	1	
	P20800182208000094	Front Body Cover(G2 Camouflage)	1	
	9	P20800182209000033	Cover of Front Panel: Red	1
		P20800182209000070	Cover of Front Panel: Blue	1
P20800182209000012		Cover of Front Panel: White	1	
P20800182209000022		Cover of Front Panel: Black	1	
P20800182209000062		Cover of Front Panel: Dark Green	1	
P20800182209000040		Cover of Front Panel: Orange	1	
P20800182209000031		Cover of Front Panel: Orange	1	
P20800182209000052		Cover of Front Panel: Orange Yellow	1	
P20800182209000092		Cover of Front Panel: Green Camouflage	1	
P20800182209000093		Cover of Front Panel: Yellow Camo Vista Color	1	
P20800182209000064		Cover of Front Panel: New Dark Green	1	
P20800182209000094		Cover of Front Panel: G2 Camouflage	1	
10		PJ00000933500000	Rubber Sleeve, Knob Switch	2
11		P311001822110000	Knob Switch	2
12	P208001822100000	Right Fender, Front Cover	1	
13	P208001825020000	Right Mud Guard I, Front Cover	1	
14	P208001515010000	Gearshift Lever Cover	1	
15	PJ00000932050300	Gearshift Boot D	1	
16	P208001821010000	Protective Cover,Front Bumper	1	
17	P311001354000000	Front Turning Light (L)	1	
18	P311001354250000	Front Turning Light (R)	1	

HEADLIGHT



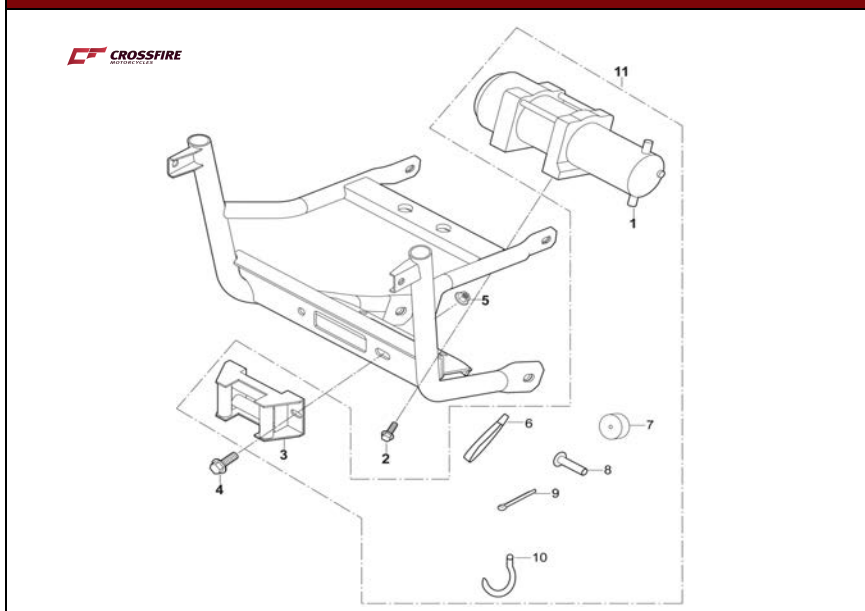
No.	PART No.	DESCRIPTION	QTY
1	P311002351100000	Front Headlight Assy (L)	1
2	P311002351300000	Front Headlight Assy (R)	1
3	PJ000003841100000	Bulb HS1; 12V; 35W/35W	2
4	BGB16674-M8×16	Hexagon Flange Bolt M8×16	4
5	PJ000009312500000	Rubber Damping Gasket Φ9×3	2
5	PJ000009312500001	Rubber Damping Gasket Φ9×3	2
6	P208002515030000	Light Mounting Bracket I	1
7	P208002515040000	Light Mounting Bracket II	1
8	BGB845-ST4.8×13	Cross Recessed Pan Head Tapping Screw ST4.8×13	10

FENDER



No.	PART No.	DESCRIPTION	QTY
1	P208001828030000	Taillight Cover	1
2	PJ00000902250100	Socket Hexagon Screw M6×16	4

WINCH



No.	PART No.	DESCRIPTION	QTY
1	P115000899110100	Body of Winch (3500B)	1
2	BGB16674-M8×20	Hexagon Flange Bolt M8×20	4
3	P115000899020000	Guide Pulley, Winch	1
4	BGB16674-M10×1.25×20	Hexagon Flange Bolt M10×1.25×20	2
5	BGB6187-M10×1.25	Hexagon Flange Locked Nut M10×1.25	2
6	P115000899050000	Hand Tape	1
7	P115000899040000	Plastic Snap Ring	1
8	P115000899090000	Axis Pin Φ9.5×40	1
9	BGB91-2.5×30	Cotter Pin 2.5×30	1
10	P115000899010000	Hook	1
11	P115000899000100	Winch	1

