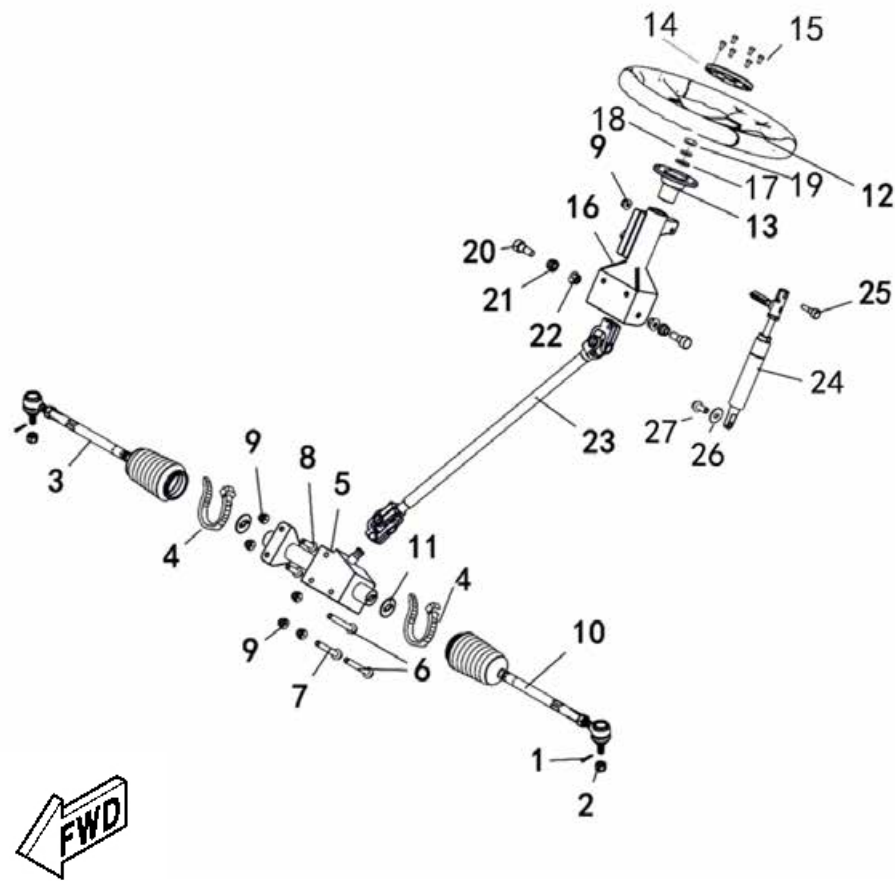




600GT Parts Manual

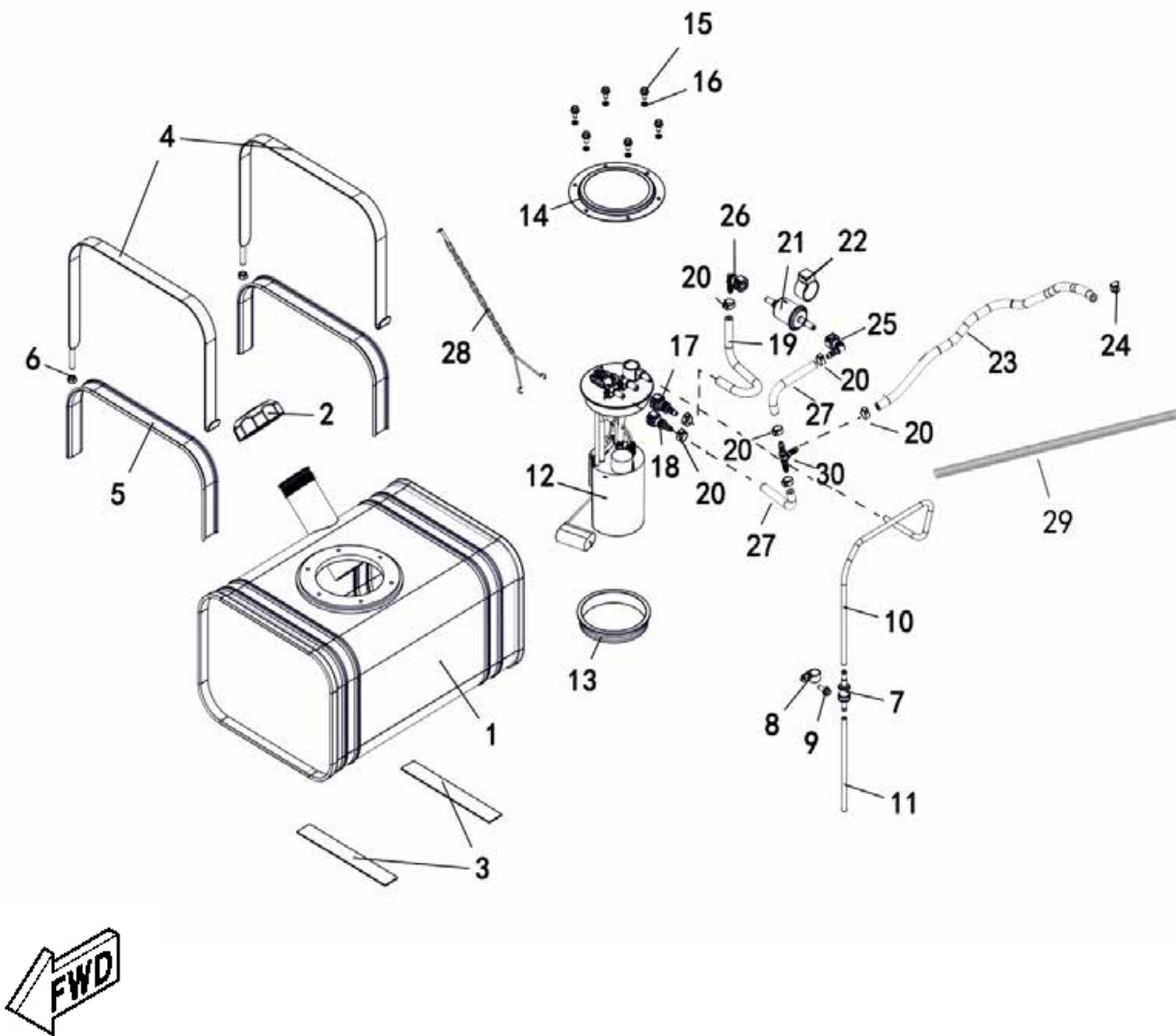
V01	STEERING ASSY	V01
V02	FUEL TANK	V02
V03	SEAT ASSY	V03
V04	FRAME	V04
V05	FENDER	V05
V06	SHOCK ABSORBER FRONT	V06
V07	SHOCK ABSORBER REAR	V07
V08	WHEEL FRONT	V08
V09	WHEEL REAR	V09
V10	SHIFT	V10
V11	FRAME ROOF	V11
V16	FRONT AND REAR KNUCKLE ASSY	V16
V18	ELECTRICAL SYSTEM	V18
V19	BRAKING SYSTEM	V19
V20	AUXILIARY BRAKE	V20
V21	PEDAL	V21
V22	BUMPER	V22
V24	ENGINE ASSY	V24
V25	FRONT GEAR-BOX	V25
V26	REAR AXLE	V26
V28	BOX ASSY	V28
V29	LICENCE LAMP MOUNTING PLATE	V29
V30	SEAT BELT	V30
V31	BODY, SIDE NETS	V31
V32	TOOLS	V32
V33	OPTIONS	V33
E01	CYLINDER HEAD COVER	E01
E02	CYLINDER HEAD	E02
E03	CAMSHAFT	E03
E04	CYLINDER	E04
E05	CRANKSHAFT COMP	E05
E06	LEFT CRANKCASE	E06
E07	RIGHT CRANKCASE	E07
E08	CVT HOUSING	E08
E09	CVT COVER	E09
E10	LEFT CRANKCASE COVER	E10
E11	GENERATOR	E11
E12	ELECTRIC STARTER	E12
E13	CLUTCH	E13
E14	TRANSMISSION I	E14
E15	TRANSMISSION II	E15
E16	TRANSMISSION III	E16
E17	OIL PUMP	E17
E18	WATER PUMP	E18
E19	FUEL INJECTION ASSY	E19
E20	LEFT SIDE COVER	E20
E21	RADIATOR	E21
E23	AIR CLEANER	E23
E24	CVT AIR SHROUD	E24
E25	EXHAUST	E25
E26	TOOL	E26

1 STEERING ASSY



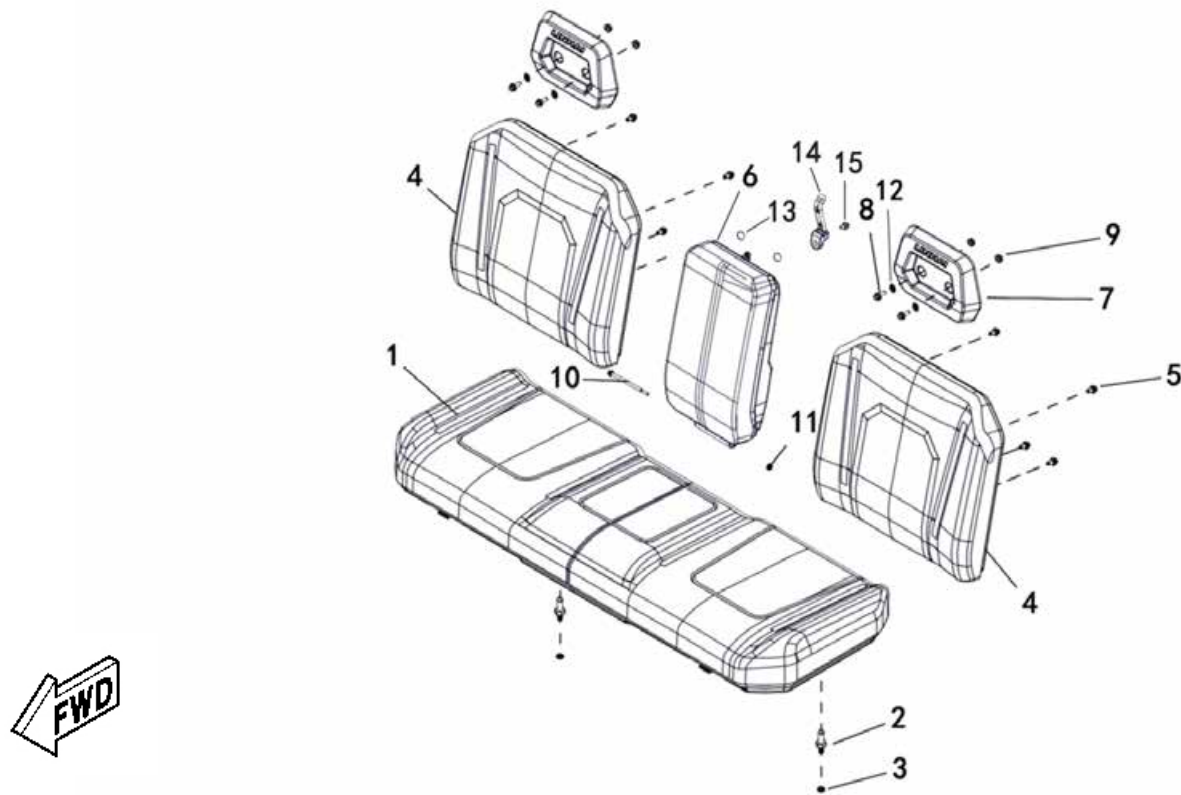
No.	PART No.	DESCRIPTION	QTY
1	10501	PIN 2.5x25	2
2	27067	NUT M10X1.25	2
3	48102	STEERING TIE-ROD,RH	1
3	48576	STEERING TIE-ROD 2,RH	1
4	48326	TIE	2
5	48098	STEERING MOTOR	1
6	11161	BOLT M8X90	2
7	11244	BOLT M8x80	1
8	10783	BOLT M8X20	2
9	11145	NUT M8	6
10	48103	STEERING TIE-ROD,LH	1
10	48577	STEERING TIE-ROD 2,LH	1
11	48104	STEERING MOTOR SHEET	2
12	26925	STEERING WHEEL	1
13	26932	STEERING WHEEL HOLDER	1
14	26934	STEERING COVER	1
15	73072	SCREW M5X10	6
16	48097	STEERING COLUMN ASSY.	1
17	11488	WASHER 12	1
18	10054	WASHER SPRING 12	1
19	26257	NUT M12	1
20	73143	SHOULDER BOLT M10x1.25x30	2
21	73125	BUSHING FOR ADJUSTABLE STEERING WHEEL	2
22	10795	NUT M10	2
23	48194	SHAFT STEERING	1
24	48354	ADJUSTMENT CYLINDER, NEW	1
25	73119	SHOULDER BOLT M8x1.25x30	1
26	11246	WASHER 6	1
27	10140B	BOLT M6X12	1

2 FUEL TANK



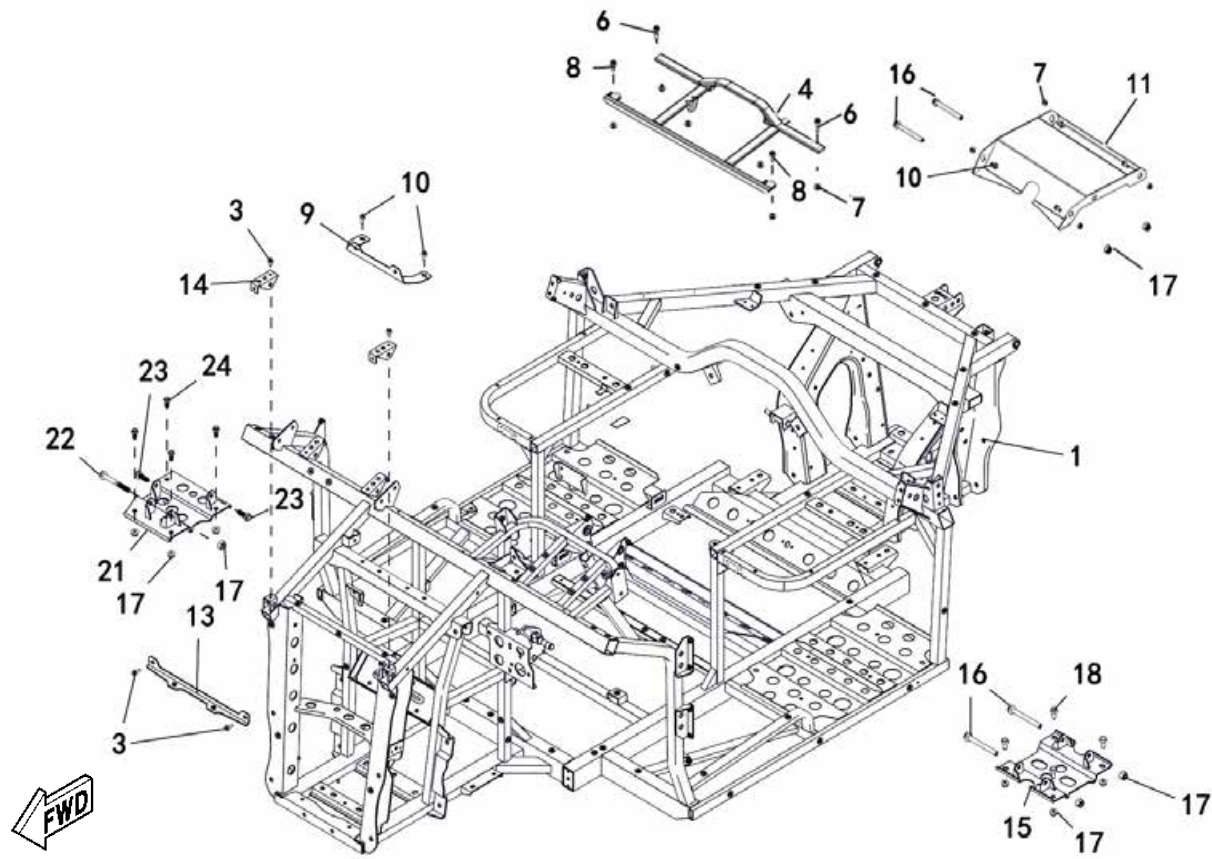
No.	PART No.	DESCRIPTION	QTY
1	48120	FUEL TANK COMP STEEL	1
2	71972	CAP FUEL TANK	1
3	73051	RUBBER DAMPER	2
4	48121	STRAP FOR STEEL FUEL TANK MOUNTING	2
5	73052	RUBBER STRAP	2
6	11145	NUT M8	2
7	25037	ROLLOVER VALVE	1
8	25351	BRACKET, ROLLOVER VALVE	1
9	11495	BOLT M6X16	1
10	48032	HOSE 1	1
11	48033	HOSE 2	1
12	48124	FUEL PUMP	1
13	73154	SEALING FOR FUEL PUMP STEEL TANK	1
14	73149	BRACKET FOR FUEL PUMP	1
15	10087	BOLT M6X10	6
16	11019	WASHER SPRING 6	6
17	73145	QUICK FITTING ASSY 9.49	1
18	73146	QUICK FITTING ASSY 7.89	1
19	48029	FUEL LINE 1	1
20	48122	CLIP 14.6	7
21	48318	FUEL FILER	1
22	48415	FUEL FILER SUPPORT	1
23	48582	FUEL LINE 2	1
24	11657	CLAMP 8/14	1
25	48004	QUICK FITTING ASSY 7.89,B13	1
26	48319	QUICK FITTING ASSY 7.89,B13	1
27	48583	FUEL RETURN LINE	2
28	48123	CHAIN	1
29	48349	SPRING	1
30	48584	TEE-JUNCTION	1

3 SEAT ASSY



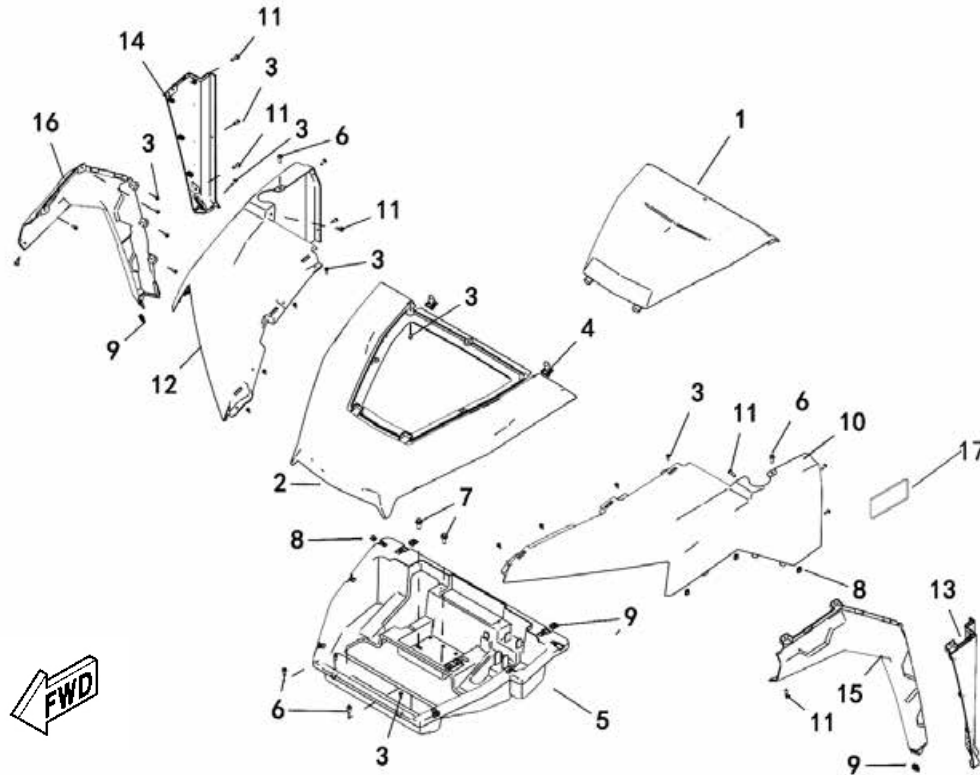
No.	PART No.	DESCRIPTION	QTY
1	48126	INTEGRAL SEAT ASSEMBLY	1
2	48125	PIN, FIX	2
3	11165	WASHER SPRING 10	2
4	48129	SIDE BACKREST	2
5	10783	BOLT M8X20	8
6	48564	MIDDLE BACKREST	1
7	48128	HEAD REST	2
8	10783	BOLT M8X20	4
9	11145	NUT M8	4
10	48085	BOLT	1
11	11233	NUT M6	1
12	10089	WASHER 10	4
13	48565	RUBBER DAMPERE (Φ20X4)	2
14	48566	RUBBER LOCK	1
15	10140B	BOLT M6X12	1

4 FRAME



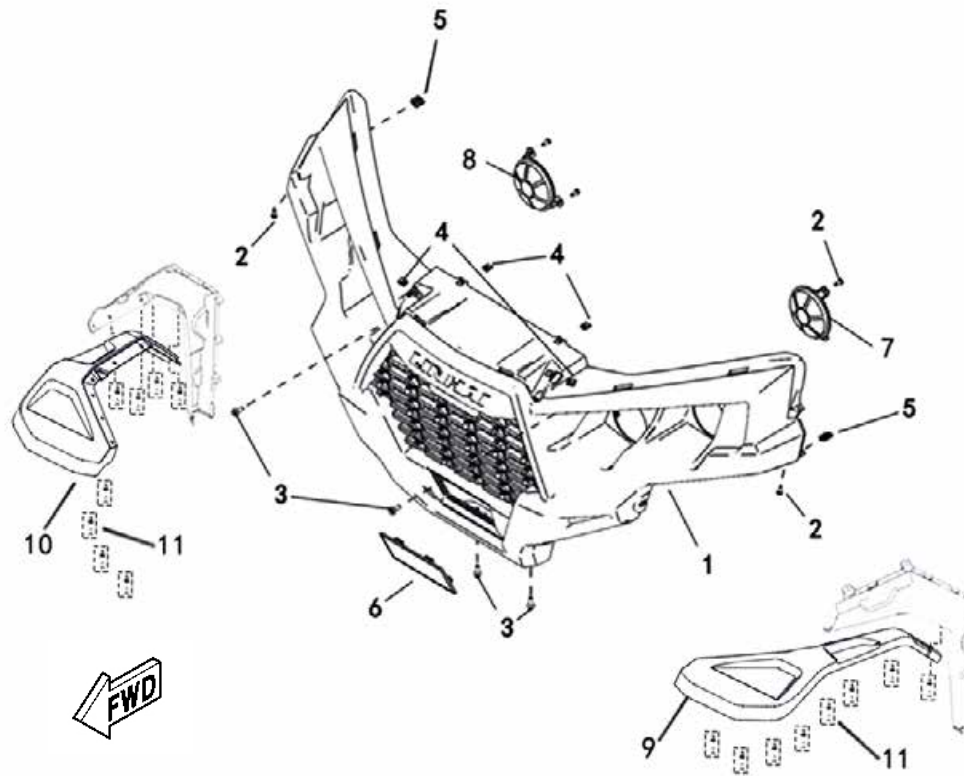
No.	PART No.	DESCRIPTION	QTY
1	48055	FRAME	1
3	10140B	BOLT M6X12	4
4	73710	CUSHION SUPPORT COMPONENT	1
6	10078	BOLT M8X30	2
7	11145	NUT M8	4
8	10783	BOLT M8X20	2
9	48086	BRACKET, RADIATOR	1
10	11236	BOLT M8X16	6
11	48585	UPPER PLATE, REAR AXLE	1
13	48061	BRACKET, FIXED HOOD	1
14	48062	BRACKET, INSTRUMENT PANEL	2
15	48056	BRACKET, REAR AXLE	1
16	11050	BOLT M10×1.25×110	4
17	10795	NUT M10	13
18	11237	BOLT M10×1.25×20	4
21	48057	BRACKET, FRONT AXLE	1
22	11146	BOLT M10×1.25×90	1
23	10541	BOLT M10×1.25×30	2
24	11237	BOLT M10×1.25×20	4

5 FENDER



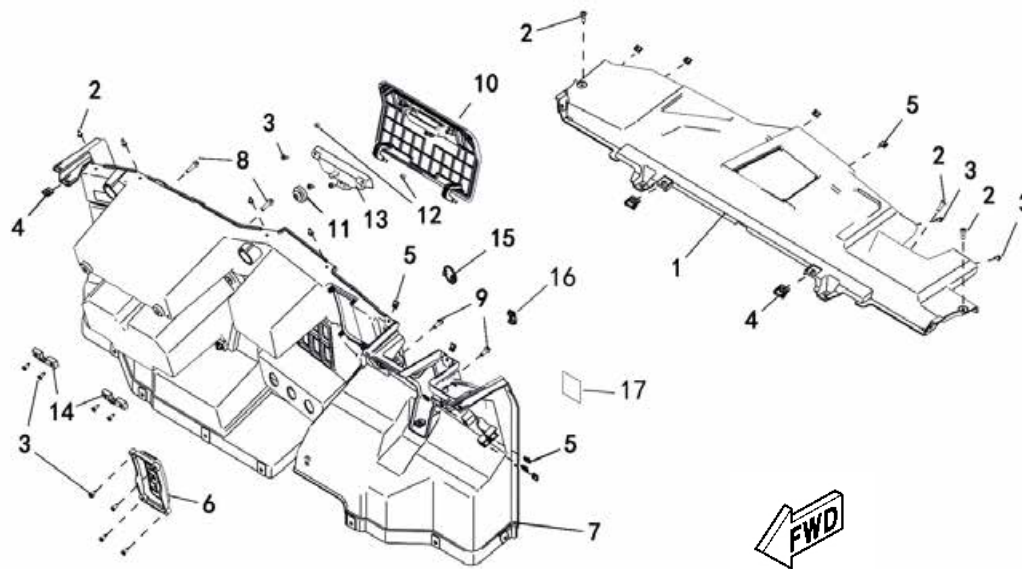
No.	PART No.	DESCRIPTION	QTY
1	48204	REMOVABLE HOOD	1
2	482056g	FIXED HOOD,WHITE	1
2	482053l	FIXED HOOD,BLUE	1
2	482052h	FIXED HOOD,RED	1
2	482057c	FIXED HOOD,VISTA CAMOUFLAGE	1
2	482057e	FIXED HOOD,REALITY CAMOUFLAGE	1
2	482057F	FIXED HOOD,CONCEAL CAMOUFLAGE	1
2	482054L	FIXED HOOD,ORANGE	1
2	482055e	FIXED HOOD,ARMY GREEN	1
2	482054M	FIXED HOOD,QUICK SAND	1
3	48316	TAPPING SCREW M5 x16	33
4	48253	FAST DISASSEMBLED SCREW	2
5	48206	BATTERY BOX	1
6	48269	BOLT M6X16	4
7	10783	BOLT M8X20	2
8	48314	SPRING NUT M5	12
9	70960	SPRING NUT M6	4
10	482076g	FENDER FRONT,LH, WHITE	1
10	482073l	FENDER FRONT,LH, BLUE	1
10	482072h	FENDER FRONT,LH, RED	1
10	482077c	FENDER FRONT,LH, VISTA CAMOUFLAGE	1
10	482077e	FENDER FRONT,LH, REALITY CAMOUFLAGE	1
10	482077F	FENDER FRONT,LH, CONCEAL CAMOUFLAGE	1
10	482074L	FENDER FRONT,LH,ORANGE	1
10	482075e	FENDER FRONT,LH,ARMY GREEN	1
10	482074M	FENDER FRONT,LH, QUICK SAND	1
12	482086g	FENDER FRONT,RH,WHITE	1
12	482083l	FENDER FRONT,RH,BLUE	1
12	482082h	FENDER FRONT,RH,RED	1
12	482087c	FENDER FRONT,RH,VISTA CAMOUFLAGE	1
12	482087e	FENDER FRONT,RH,REALITY CAMOUFLAGE	1
12	482087F	FENDER FRONT,RH,CONCEAL CAMOUFLAGE	1
12	482084L	FENDER FRONT,RH,ORANGE	1
12	482085e	FENDER FRONT,RH,ARMY GREEN	1
12	482084M	FENDER FRONT,RH,QUICK SAND	1
13	482116g	LH LOWER FRONT MUDGUARDS,WHITE	1
13	482113L	LH LOWER FRONT MUDGUARDS,BLUE	1
13	482112h	LH LOWER FRONT MUDGUARDS,RED	1
13	482117c	LH LOWER FRONT MUDGUARDS,VISTA CAMOUFLAGE	1
13	482117e	LH LOWER FRONT MUDGUARDS,REALITY CAMOUFLAGE	1
13	482117F	LH LOWER FRONT MUDGUARDS,CONCEAL CAMOUFLAGE	1
13	482114L	LH LOWER FRONT MUDGUARDS,ORANGE	1
13	482115e	LH LOWER FRONT MUDGUARDS,ARMY GREEN	1
13	482114M	LH LOWER FRONT MUDGUARDS,QUICK SAND	1
14	482126g	RH LOWER FRONT MUDGUARDS,WHITE	1
14	482123L	RH LOWER FRONT MUDGUARDS,BLUE	1
14	482122h	RH LOWER FRONT MUDGUARDS,RED	1
14	482127c	RH LOWER FRONT MUDGUARDS,VISTA CAMOUFLAGE	1
14	482127e	RH LOWER FRONT MUDGUARDS,REALITY CAMOUFLAGE	1
14	482127F	RH LOWER FRONT MUDGUARDS,CONCEAL CAMOUFLAGE	1
14	482124L	RH LOWER FRONT MUDGUARDS,ORANGE	1
14	482125e	RH LOWER FRONT MUDGUARDS,ARMY GREEN	1
14	482124M	RH LOWER FRONT MUDGUARDS,QUICK SAND	1
15	48209	LH UPPER FRONT MUDGUARDS	1
16	48210	RH UPPER FRONT MUDGUARDS	1
17	71959	FRONT REFLECTOR YELLOW (FOR US)	2

5 FENDER



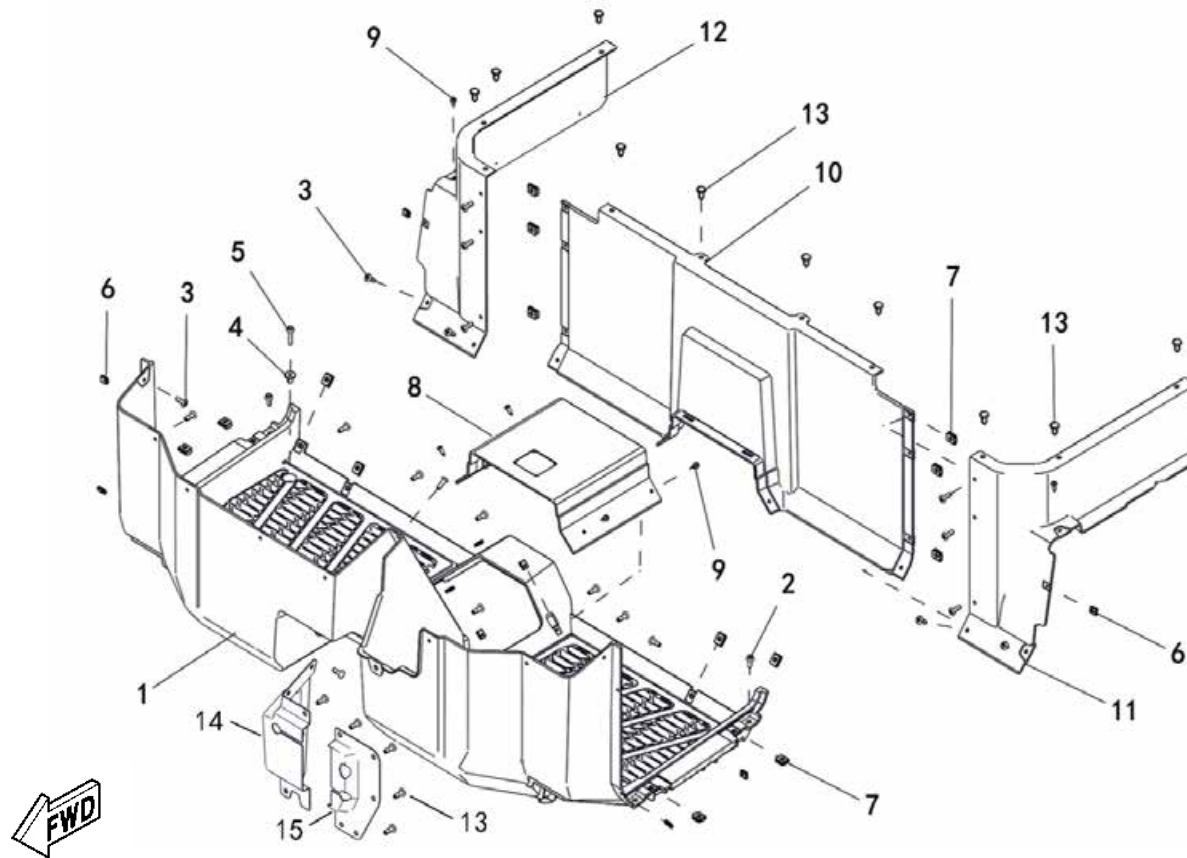
No.	PART No.	DESCRIPTION	QTY
1	48200	GRILL, FRONT (LINHAI LOGO)	1
1	48333	GRILL, FRONT (NO LINHAI LOGO)	1
2	48316	TAPPING SCREW M5 ×16	8
3	48269	BOLT M6X16	4
4	48314	SPRING NUT M5	4
5	70960	SPRING NUT M6	2
6	48201	COVER,TRACTOR	1
7	48258	LH HEADLIGHT COVER	1
8	48259	RH HEADLIGHT COVER	1
9	48592	LH FRONT WHEEL COVER	1
10	48593	RH FRONT WHEEL COVER	1
11	47627	EXPANSION SCREW	16

5 FENDER



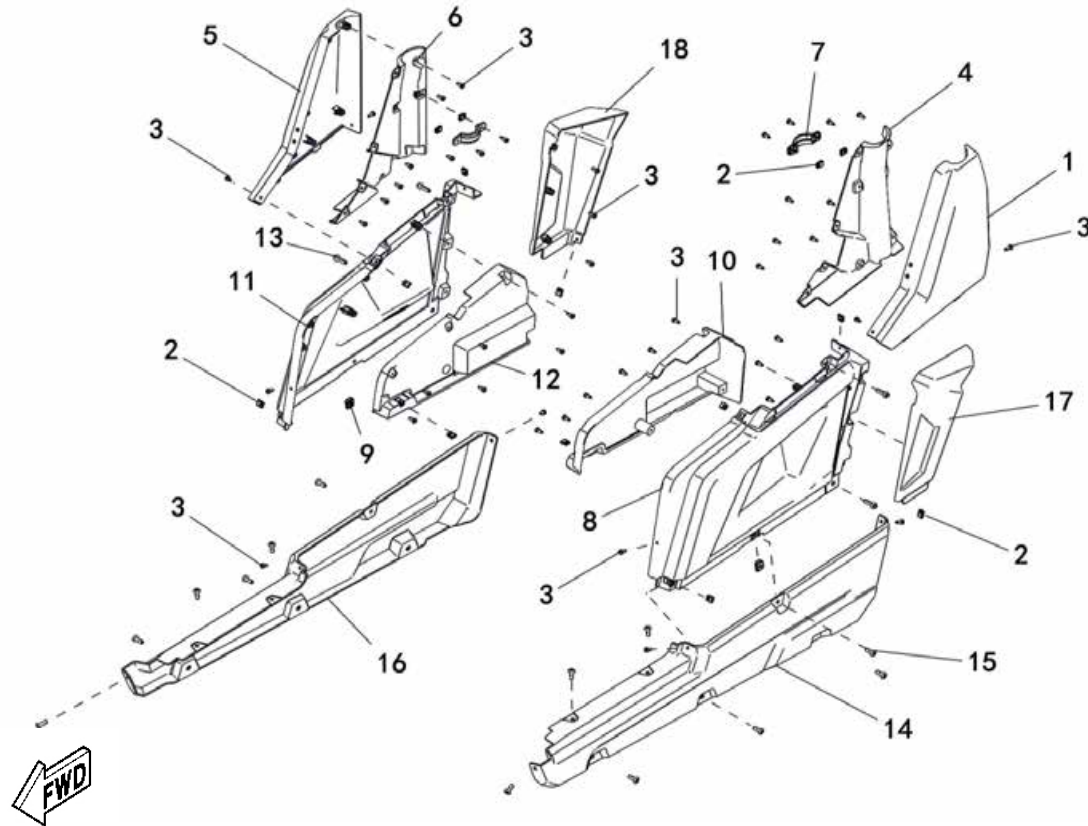
No.	PART No.	DESCRIPTION	QTY
1	48213	UPPER PANEL, INSTRUMENT	1
2	48270	SCREW M6×20	15
3	48316	TAPPING SCREW M5 ×16	13
4	70960	SPRING NUT M6	7
5	48314	SPRING NUT M5	10
6	48591	COVER, SHIFT LEVER	1
7	48216	PANEL, INSTRUMENT	1
8	48268	BOLT M6X25	2
9	48269	BOLT M6X16	2
10	48217	LID, GLOVEBOX	1
11	48218	GROMMET RUBBER,MOUNT	1
12	48219	CUSHION RUBBER	2
13	48220	FIXED SUPPORT,GLOVEBOX LID	1
14	48221	RETAINER, GLOVEBOX LID	2
15	48264	CAP,USB	1
16	73048	CAP, ELECTRICAL SWITCH	5
17	48289	COVER,2WD/4WD SWITCH	1

5 FENDER



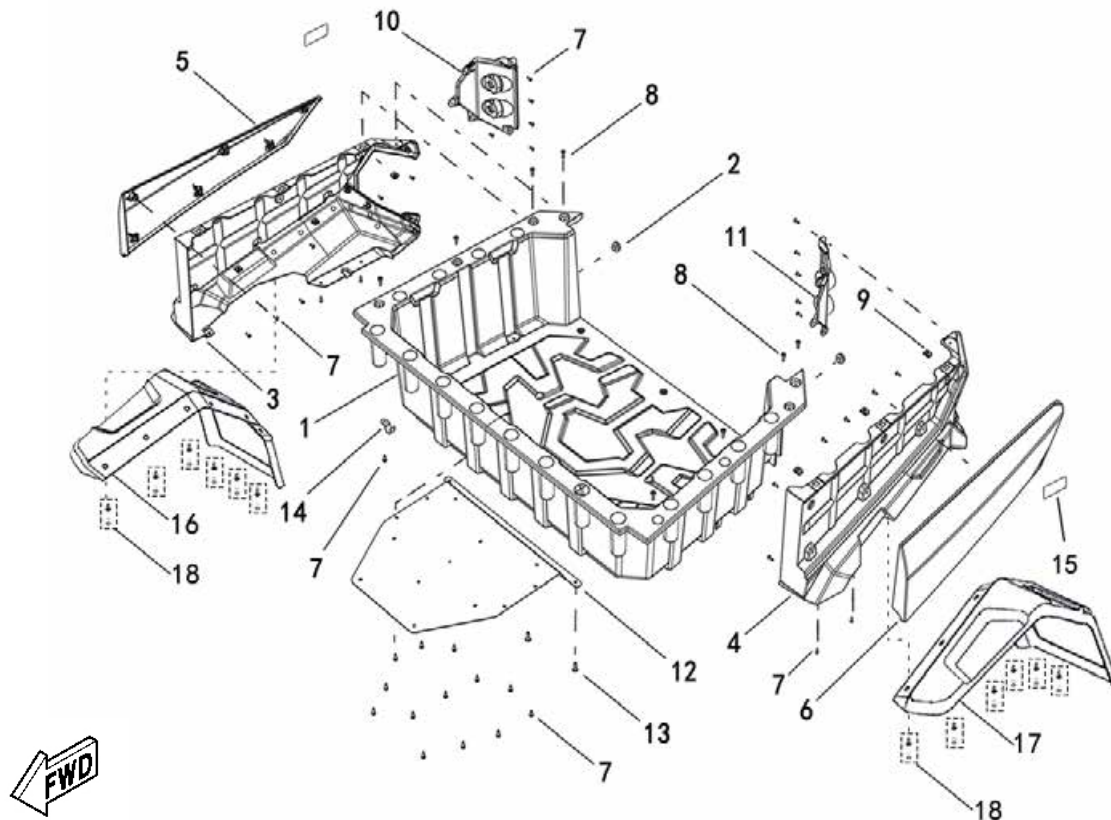
No.	PART No.	DESCRIPTION	QTY
1	48225	LOWER FLOOR	1
2	48269	HEXAGON FLANGE BOLT M6×16	4
3	48270	SCREW M6×20	20
4	48256	T - SHAPED LINER BUSHING	8
5	11241	HEXAGON FLANGE BOLT M6×30	8
6	48314	SPRING NUT M5	10
7	70960	SPRING NUT M6	14
8	48226	LOWER FLOOR COVER,FOOTREST	1
9	48316	TAPPING SCREW M5 ×16	6
10	48227	SEAT, FRONT COVER PLATE	1
11	48228	SEAT, COVER PLATE,L	1
12	48229	SEAT, COVER PLATE,R	1
13	48252	PLASTIC SCREW	21
14	48378	COVER,BRAKE PEDAL	1
15	48379	COVER,ACCELERATE PEDAL	1

5 FENDER



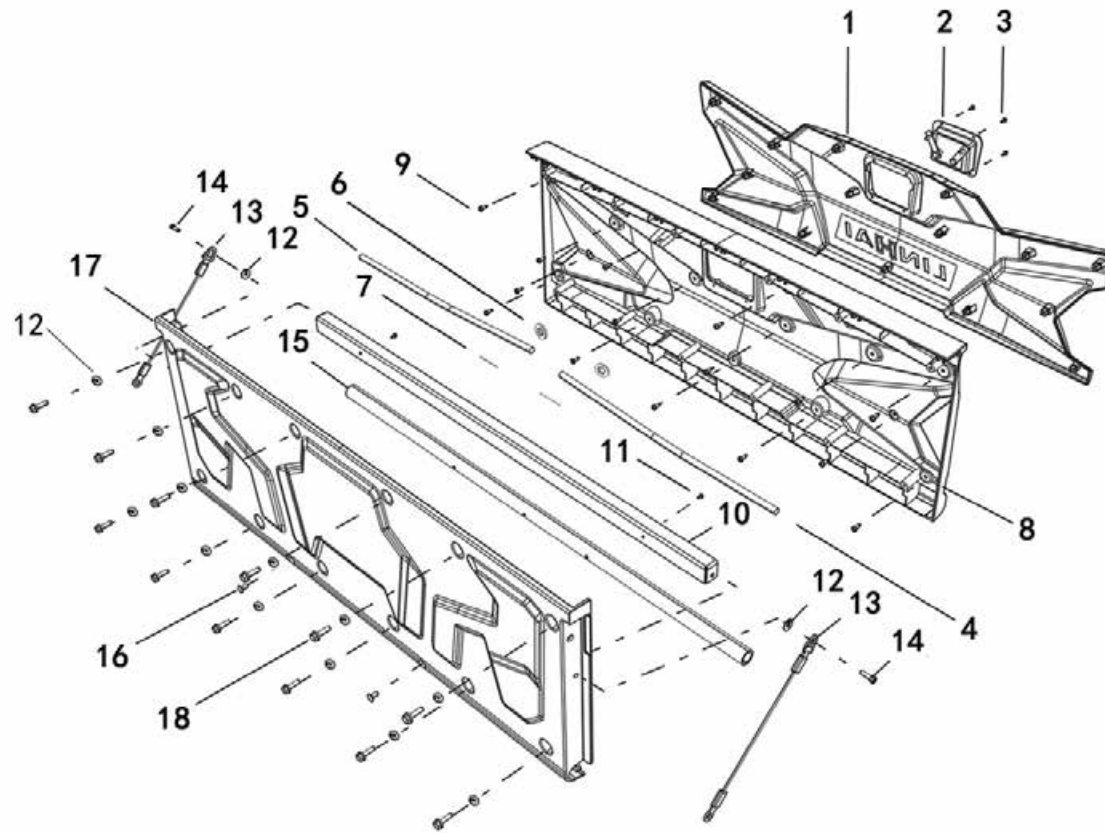
No.	PART No.	DESCRIPTION	QTY
1	482306g	LH UPPER PANEL,WHITE	1
1	482303L	LH UPPER PANEL,BLUE	1
1	482302h	LH UPPER PANEL,RED	1
1	482307c	LH UPPER PANEL,VISTA CAMOUFLAGE	1
1	482307e	LH UPPER PANEL,REALITY CAMOUFLAGE	1
1	482307F	LH UPPER PANEL,CONCEAL CAMOUFLAGE	1
1	482304L	LH UPPER PANEL,ORANGE	1
1	482305e	LH UPPER PANEL,ARMY GREEN	1
1	482304M	LH UPPER PANEL,QUICK SAND	1
2	48314	SPRING NUT M5	14
3	48316	TAPPING SCREW M5 ×16	46
4	48249	LH UPPER PANEL, LINER PANEL	1
5	482316g	RH UPPER PANEL,WHITE	1
5	482313L	RH UPPER PANEL,BLUE	1
5	482312h	RH UPPER PANEL,RED	1
5	482317c	RH UPPER PANEL,VISTA CAMOUFLAGE	1
5	482317e	RH UPPER PANEL,REALITY CAMOUFLAGE	1
5	482317F	RH UPPER PANEL,CONCEAL CAMOUFLAGE	1
5	482314I	RH UPPER PANEL,ORANGE	1
5	482315e	RH UPPER PANEL,ARMY GREEN	1
5	482314M	RH UPPER PANEL,QUICK SAND	1
6	48250	RH UPPER PANEL, LINER PANEL	1
7	48222	SIDE PANEL MOUNTING BUTTON	2
8	482326g	LH LOWER PANEL,WHITE (WITHOUT A HOLE)	1
8	482323L	LH LOWER PANEL,BLUE (WITHOUT A HOLE)	1
8	482322h	LH LOWER PANEL,RED (WITHOUT A HOLE)	1
8	482327c	LH LOWER PANEL,VISTA CAMOUFLAGE (WITHOUT A HOLE)	1
8	482327e	LH LOWER PANEL,REALITY CAMOUFLAGE (WITHOUT A HOLE)	1
8	482327F	LH LOWER PANEL,CONCEAL CAMOUFLAGE (WITHOUT A HOLE)	1
8	482324L	LH LOWER PANEL,ORANGE (WITHOUT A HOLE)	1
8	482325e	LH LOWER PANEL,ARMY GREEN (WITHOUT A HOLE)	1
8	482324M	LH LOWER PANEL,QUICK SAND (WITHOUT A HOLE)	1
9	70960	SPRING NUT M6	2
10	48223	LH LOWER PANEL, LINER PANEL	1
11	485526G	RH LOWER PANEL,WHITE(WITH HOLE)	1
11	485523L	RH LOWER PANEL,BLUE(WITH HOLE)	1
11	485522H	RH LOWER PANEL,RED(WITH HOLE)	1
11	485527C	RH LOWER PANEL,VISTA CAMOUFLAGE(WITH HOLE)	1
11	485527E	RH LOWER PANEL,REALITY CAMOUFLAGE(WITH HOLE)	1
11	485527F	RH LOWER PANEL,CONCEAL CAMOUFLAGE(WITH HOLE)	1
11	485524L	RH LOWER PANEL,ORANGE(WITH HOLE)	1
11	485525E	RH LOWER PANEL,ARMY GREEN(WITH HOLE)	1
11	485524M	RH LOWER PANEL,QUICK SAND(WITH HOLE)	1
12	48224	RH LOWER PANEL, LINER PANEL	1
13	48268	HEXAGON FLANGE BOLT M6×25	4
14	48234	LH SIDE FENDER	1
15	48270	SCREW M6×20	14
16	48235	RH SIDE FENDER	1
17	48236	LH PANEL DECORATIVE SHEET	1
18	48237	RH PANEL DECORATIVE SHEET	1

5 FENDER



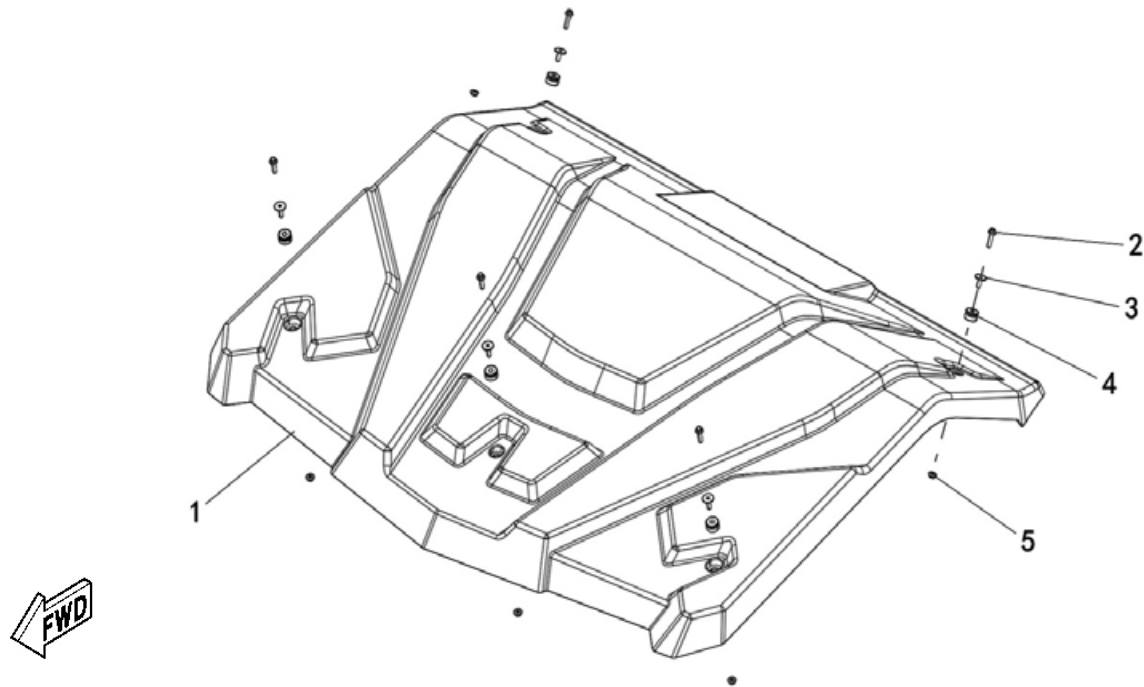
No.	PART No.	DESCRIPTION	QTY
1	48242	BOX FLOOR COVER	1
2	48145	BOX REAR PANEL RUBBER STOPPER	2
3	48241	BOX COVER,R	1
4	48240	BOX COVER,L	1
5	482396g	BOX COVER,R COVER CAP,WHITE	1
5	482393L	BOX COVER,R COVER CAP,BLUE	1
5	482392h	BOX COVER,R COVER CAP,RED	1
5	482397c	BOX COVER,R COVER CAP,VISTA CAMOUFLAGE	1
5	482397E	BOX COVER,R COVER CAP,REALITY CAMOUFLAGE	1
5	482397F	BOX COVER,R COVER CAP,CONCEAL CAMOUFLAGE	1
5	482394L	BOX COVER,R COVER CAP,ORANGE	1
5	482395E	BOX COVER,R COVER CAP,ARMY GREEN	1
5	482394M	BOX COVER,R COVER CAP,QUICK SAND	1
6	482386g	BOX COVER,L COVER CAP,WHITE	1
6	482383L	BOX COVER,L COVER CAP,BLUE	1
6	482382h	BOX COVER,L COVER CAP,RED	1
6	482387c	BOX COVER,L COVER CAP,VISTA CAMOUFLAGE	1
6	482387E	BOX COVER,L COVER CAP,REALITY CAMOUFLAGE	1
6	482387F	BOX COVER,L COVER CAP,CONCEAL CAMOUFLAGE	1
6	482384L	BOX COVER,L COVER CAP,ORANGE	1
6	482385E	BOX COVER,L COVER CAP,ARMY GREEN	1
6	482384M	BOX COVER,L COVER CAP,QUICK SAND	1
7	48316	TAPPING SCREW M5 ×16	40
8	48270	SCREW M6×20	8
9	70960	SPRING NUT M6	6
10	48244	REAR LIGHT COVER,R	1
11	48243	REAR LIGHT COVER,L	1
12	48146	BOX THERMAL BAFFLE	1
13	48269	HEXAGON FLANGE BOLT M6×16	2
14	48312	BOX REAR LIGHT WIRE NAIL	1
15	71960	REAR REFLECTOR RED (FOR US)	2
16	48589	RH REAR WHEEL COVER	1
17	48590	LH REAR WHEEL COVER	1
18	47627	EXPANSION SCREW	12

5 FENDER



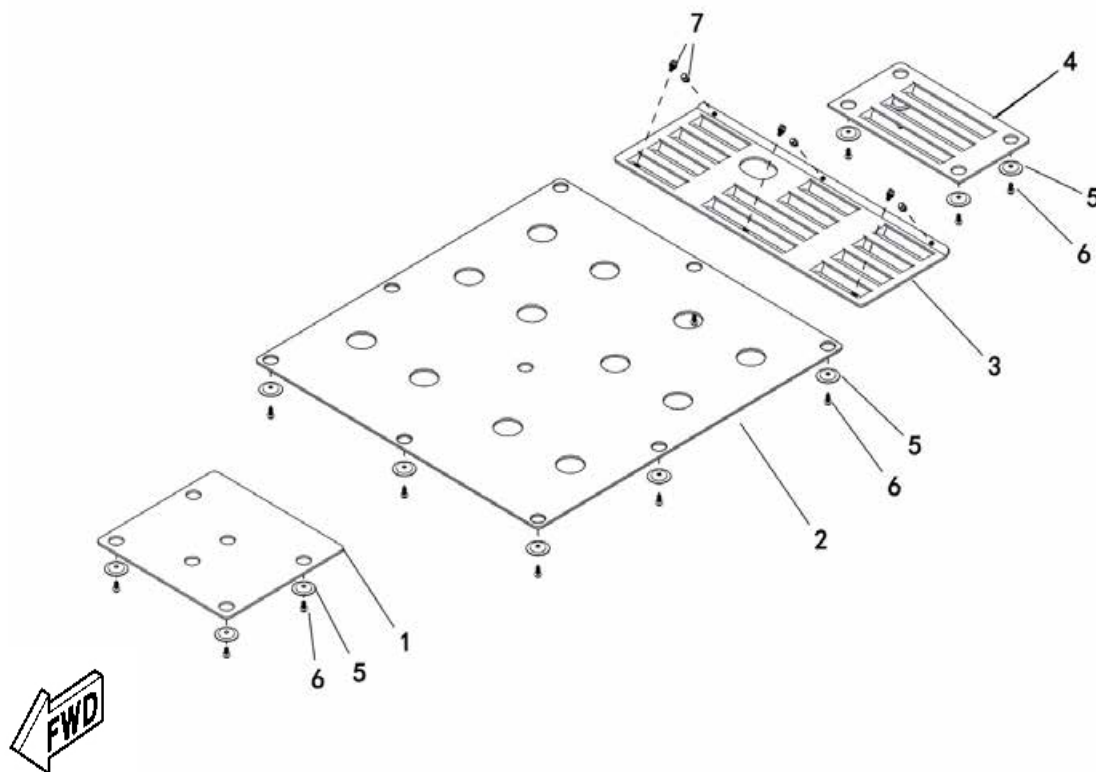
No.	PART No.	DESCRIPTION	QTY
1	482476g	BOX REAR PANEL COVER CAP,WHITE	1
1	482473L	BOX REAR PANEL COVER CAP,BLUE	1
1	482472h	BOX REAR PANEL COVER CAP,RED	1
1	482477c	BOX REAR PANEL COVER CAP,VISTA CAMOUFLAGE	1
1	482477e	BOX REAR PANEL COVER CAP,REALITY CAMOUFLAGE	1
1	482477F	BOX REAR PANEL COVER CAP,CONCEAL CAMOUFLAGE	1
1	482474L	BOX REAR PANEL COVER CAP,ORANGE	1
1	482475E	BOX REAR PANEL COVER CAP,ARMY GREEN	1
1	482474M	BOX REAR PANEL COVER CAP,QUICK SAND	1
1	483346g	BOX REAR PANEL COVER CAP,WHITE (NO LINHAI LOGO)	1
1	483343L	BOX REAR PANEL COVER CAP,BLUE (NO LINHAI LOGO)	1
1	483342h	BOX REAR PANEL COVER CAP,RED (NO LINHAI LOGO)	1
1	483347c	BOX REAR PANEL COVER CAP,VISTA CAMOUFLAGE (NO LINHAI L	1
1	483347e	BOX REAR PANEL COVER CAP,REALITY CAMOUFLAGE (NO LINHA	1
1	483537F	BOX REAR PANEL COVER CAP,CONCEAL CAMOUFLAGE (NO LINH	1
1	483534L	BOX REAR PANEL COVER CAP,ORANGE (NO LINHAI LOGO)	1
1	483345E	BOX REAR PANEL COVER CAP,ARMY GREEN (NO LINHAI LOGO)	1
1	483344M	BOX REAR PANEL COVER CAP,QUICK SAND (NO LINHAI LOGO)	1
2	48137	BOX REAR PANEL HANDLE	1
3	11242	TAPPING SCREW ST4.2×13	4
4	48140	BOX REAR PANEL LOCK PIN , L	1
5	48141	BOX REAR PANEL LOCK PIN , R	1
6	48150	HANDLE ADJUST WASHER	2
7	48149	HANDLE COTTER PIN	2
8	48246	BOX REAR PANEL	1
9	48316	TAPPING SCREW M5 ×16	15
10	48138	BOX REAR PANEL MOUNTING PLATE	1
11	11243	TAPPING SCREW ST4.8×10	2
12	10308	SPRING LOCK WASHER 6	14
13	48148	UPPER RETAINER CABLE	2
14	48147	INNER HEXAGONAL FLAT HEAD STEP BOLT M6×20	2
15	48144	BOX REAR PANEL AXIS	1
16	11151	CROSS RECESSED COUNTERSUNK HEAD SCREW M6×12	2
17	48245	BOX INNER PANEL	1
18	48269	HEXAGON FLANGE BOLT M6×16	12

5 FENDER



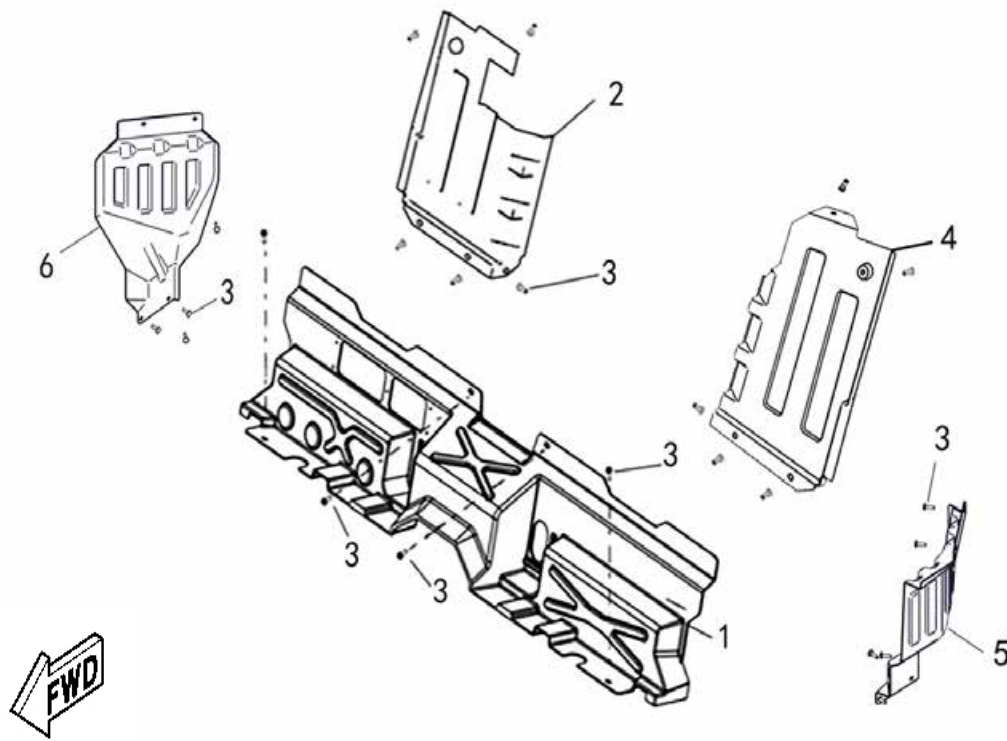
No.	PART No.	DESCRIPTION	QTY
1	48248	ROOF PANEL	1
2	48268	HEXAGON FLANGE BOLT M6×25	5
3	48256	T - SHAPED LINER BUSHING	5
4	48257	I - SHAPED RUBBER DAMPER	5
5	11233	NUT M6	5

5 FENDER



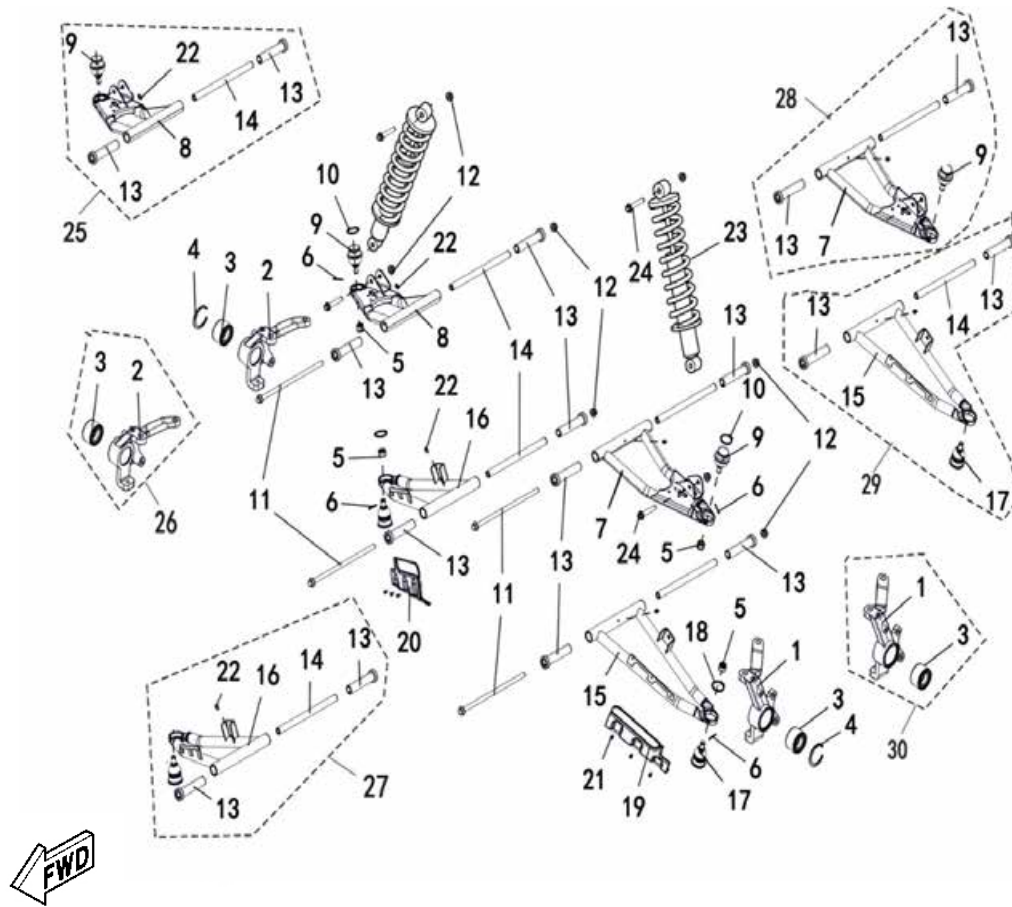
No.	PART No.	DESCRIPTION	QTY
1	48277	PLATE, FRONT	1
2	48278	PLATE, MIDDLE	1
3	48280	PLATE, POSTMEDIAN	1
4	48279	PLATE, REAR	1
5	20331	WASHER	17
6	11495	BOLT M6×16	17
7	10140B	BOLT M6×12	6

5 FENDER



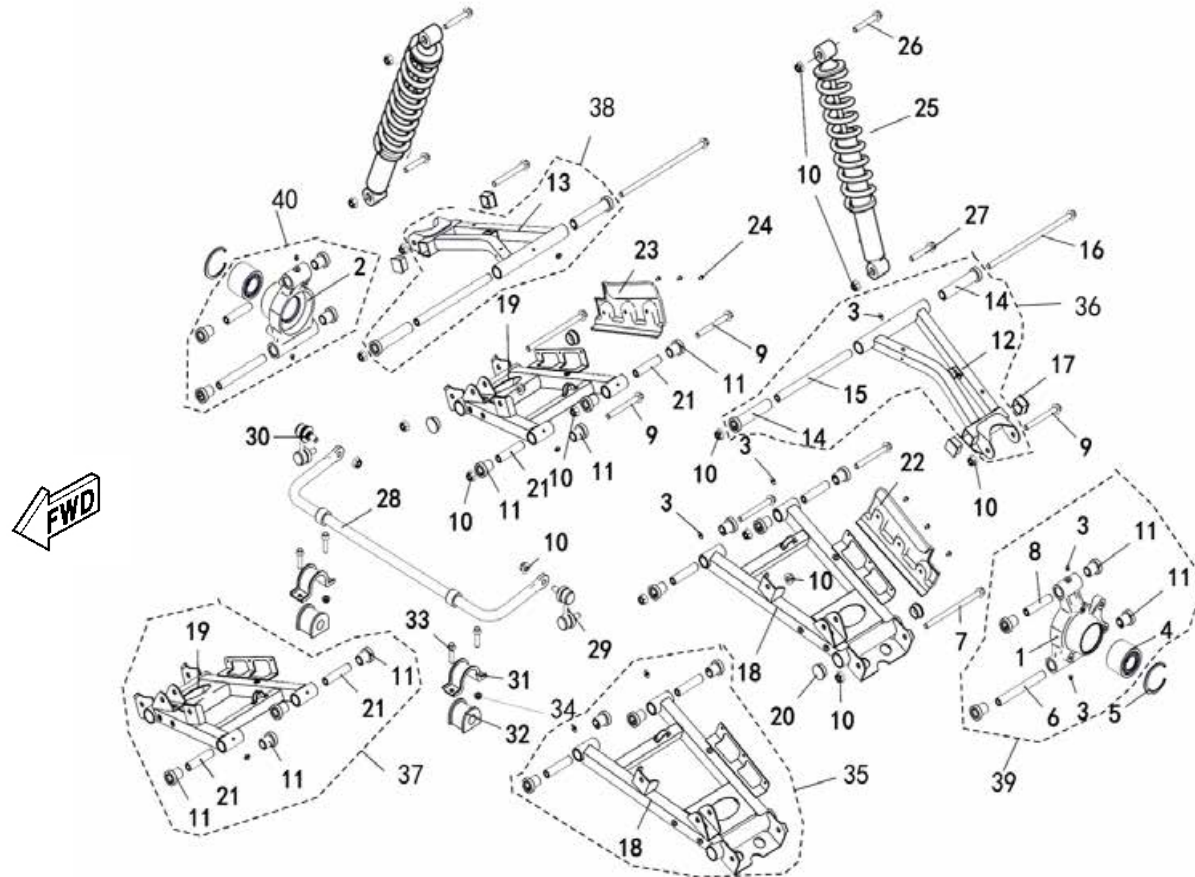
No.	PART No.	DESCRIPTION	QTY
1	48254	HEAT PROTECTION PLATE, SEAT	1
2	73736	PLATE, FUEL TANK	1
3	48270	BOLT M6×20	22
4	48586	PLATE, FUEL TANK	1
5	48587	PLATE,L	1
6	48588	PLATE,R	1

6 SHOCK ABSORBER FRONT



No.	PART No	DESCRIPTION	QTY
1	48091	CARRIER BEARING,FRONT,LH	1
1	48580	CARRIER BEARING 2,FRONT,LH	1
2	48094	CARRIER BEARING,FRONT,RH	1
2	48581	CARRIER BEARING 2,FRONT,RH	1
3	48092	BEARING	2
4	11204	CIRCLIP 55	2
5	70679	NUT M12×1.25	4
6	10792	PIN 3.2×22	4
7	48109	ARM UPPER FRT LH	1
8	48110	ARM UPPER FRT RH	1
9	48090	BALL JOINT,UPPER	2
10	11152	CIRCLIP 32	2
11	48107	SCR HXFL,FRT ARM	4
12	10795	NUT M10	8
13	48106	BUSHING,LONG	8
14	48105	SHAFT PIVOT	4
15	48108	ARM LWR FRT LH	1
16	48111	ARM LWR FRT RH	1
17	48089	BALL JOINT,LWR	2
18	70046	CIRCLIP 34	2
19	84251	COVER, ARM LWR FRT LH	1
20	84252	COVER, ARM LWR FRT RH	1
21	11153	SCREW M5X10	6
22	27074	GREASE FITTING M6	4
23	48093	FRONT SHOCK ABSORBER ASSY	2
23	48418	FRONT SHOCK ABSORBER ASSY (MATCH WI	2
24	11238	BOLT M10X1.25X57	4
25	48335	ARM UPPER FRT RH ASSY	1
26	48336	CARRIER BEARING WHEEL RH ASSY	1
26	48578	CARRIER BEARING WHEEL RH ASSY 2	1
27	48337	ARM LWR FRT RH ASSY	1
28	48338	ARM UPPER FRT LH ASSY	1
29	48339	ARM LWR FRT LH ASSY	1
30	48340	CARRIER BEARING WHEEL LH ASSY	1
30	48579	CARRIER BEARING WHEEL LH ASSY 2	1

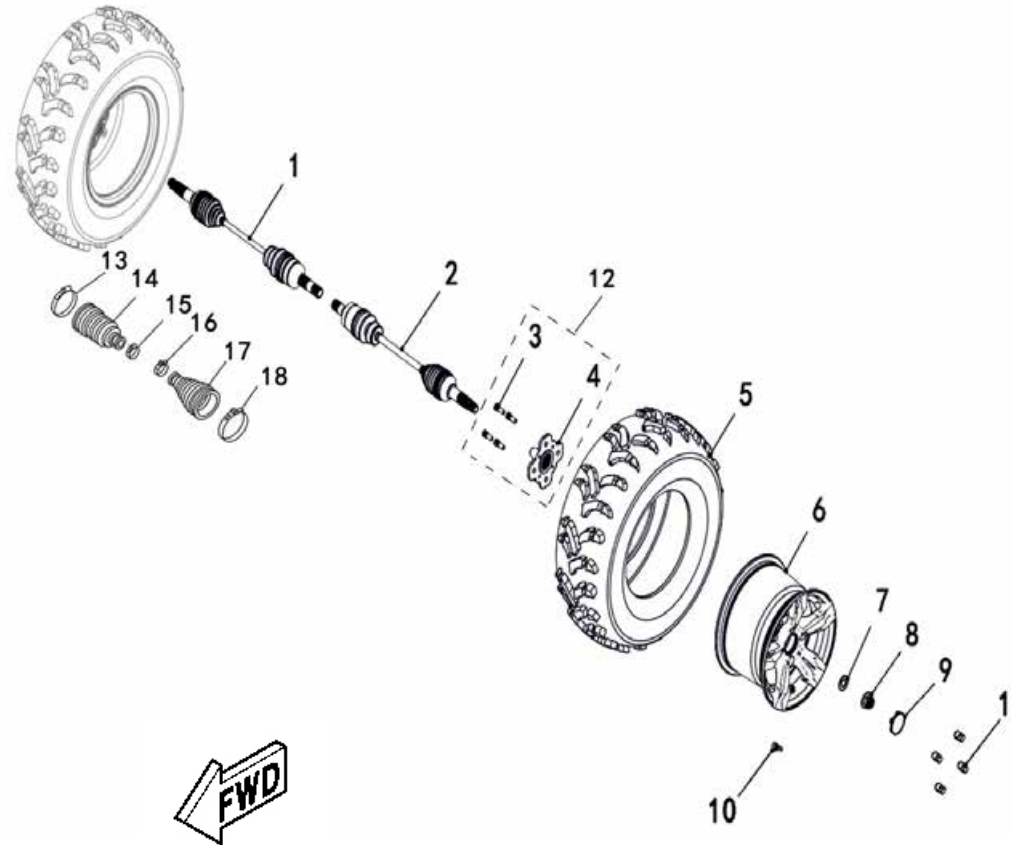
7 SHOCK ABSORBER REAR



No.	PART No.	DESCRIPTION	QTY
1	48164	CARRIER BEARING WHEEL REAR LH	1
2	48165	CARRIER BEARING WHEEL REAR RH	1
3	27074	GREASE FITTING M6	10
4	48077	BEARING	2
5	11155	CIRCLIP 63	2
6	48161	SHAFT PIVOT ,LWR	2
7	48162	SCR HXFL,REAR ARM,LWR	2
8	48160	SHAFT PIVOT ,UPPER	2
9	11146	BOLT M10X1.25X90	6
10	10795	NUT M10	18
11	48070	BUSHING,SHORT	16
12	48074	ARM UPPER REAR LH	1
13	48075	ARM UPPER REAR RH	1
14	48106	BUSHING,LONG	4
15	48068	SHAFT,REAR UPPER ARM	2
16	48071	SCR HXFL, REAR UPPER ARM	2
17	70287	SQUARE RUBBER PLUG	4
18	48072	ARM LWR REAR LH	1
19	48076	ARM LWR REAR RH	1
20	48073	PLUG	4
21	48069	SHAFT,REAR LWR ARM	4
22	84251	COVER, ARM LWR REAR LH	1
23	84252	COVER, ARM LWR REAR RH	1
24	11153	SCREW M5X10	6
25	48083	REAR SHOCK ABSORBER ASSY	2
25	48419	REAR SHOCK ABSORBER ASSY (MATCH WITH LENGTHENED IRON BOX)	2
26	10120d	BOLT M10X1.25X62	2
27	11238	BOLT M10X1.25X57	2
28	48079	STABILIZER BAR	1
29	48081	BALL PIN, LH	1
30	48080	BALL PIN, RH	1
31	27090	BRACKET STABILIZER	2
32	27091	BUSHING STABILIZER	2
33	10783	BOLT M8X20	4
34	11145	NUT M8	2
35	48341	ARM LWR REAR LH ASSY	1
36	48342	ARM UPPER REAR LH ASSY	1
37	48343	ARM LWR REAR RH ASSY	1
38	48344	ARM UPPER REAR RH ASSY	1
39	48345	CARRIER BEARING WHEEL REAR LH ASSY	1
40	48346	CARRIER BEARING WHEEL REAR RH ASSY	1

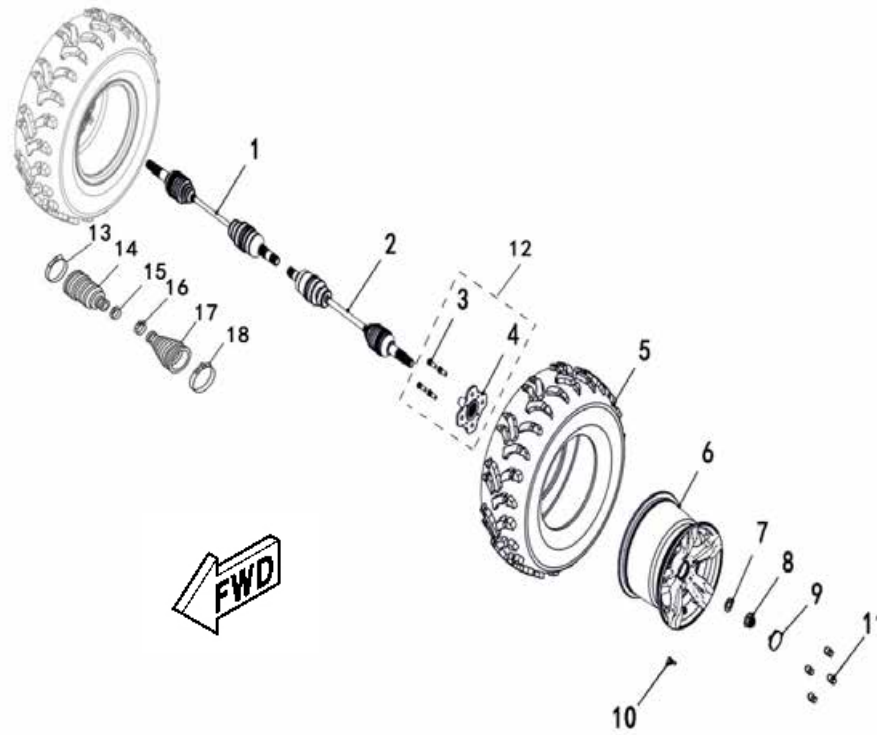
No.	PART No.	DESCRIPTION	QTY
1	48079	STABILIZER BAR	1
2	48081	ASM-LINKAGE,STABILIZER BAR,LH	1
3	48080	ASM-LINKAGE,STABILIZER BAR,RH	1
4	10795	NUT M10	4
5	27090	SHIELD-BUSHING	2
6	27091	BUSHING STABILIZER	2
7	10783	BOLT M8X20	4
8	11145	NUT M8	2

8 WHEEL FRONT



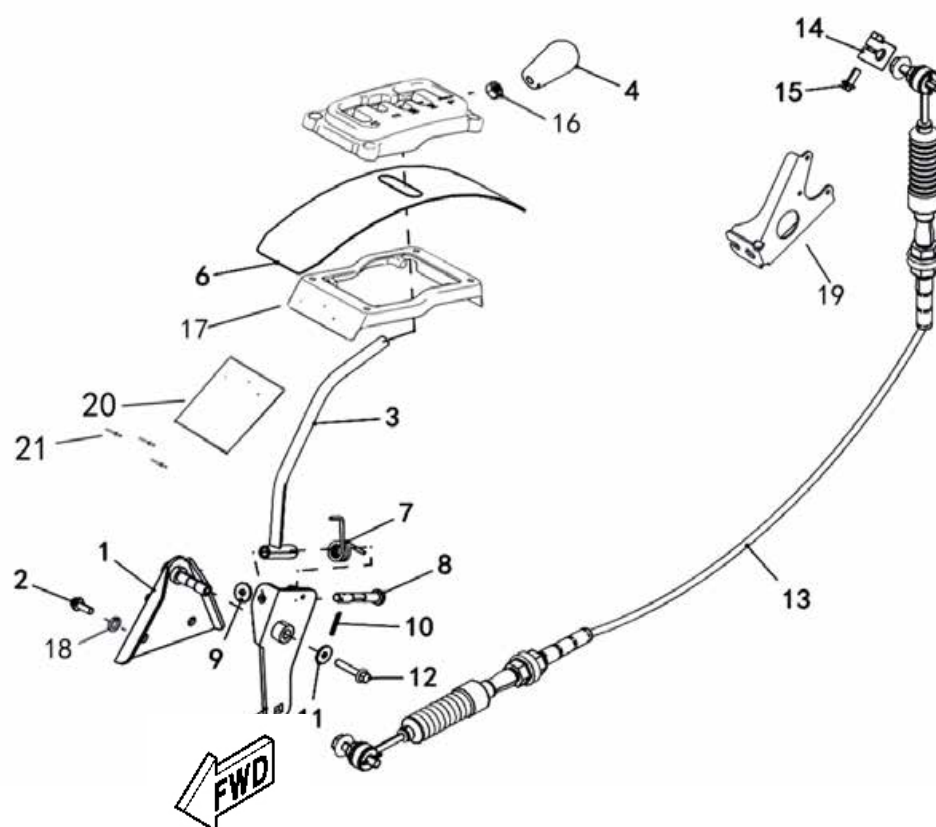
No.	PART No.	DESCRIPTION	QTY
1	48355	FRONT RIGHT DRIVE AXLE	1
2	48356	FRONT LEFT DRIVE AXLE	1
3	48155	BOLT M10X1.25	8
4	48156	HUB ASSY SHRT	2
5	48594	TIRE FRONT	2
6	48595	WHEEL SUB-ASSY	2
7	48163	WASHER 24	2
8	48157	NUT M24, WHEEL	2
9	36162	CAP, WHEEL SUB-ASSY	2
10	20807a	VALVE, RIM (TR412)	2
11	48154	NUT M10×1.25, WHEEL	8
12	48347	HUB FOR STEEL WHEEL ASSY	2
13	48570	CLIP 1	2
14	48571	BOOT (OUTSIDE)	2
15	48572	CLIP 2	2
16	48573	CLIP 3	2
17	48574	BOOT (INNER SIDE)	2
18	48575	CLIP 4	2

9 WHEEL REAR



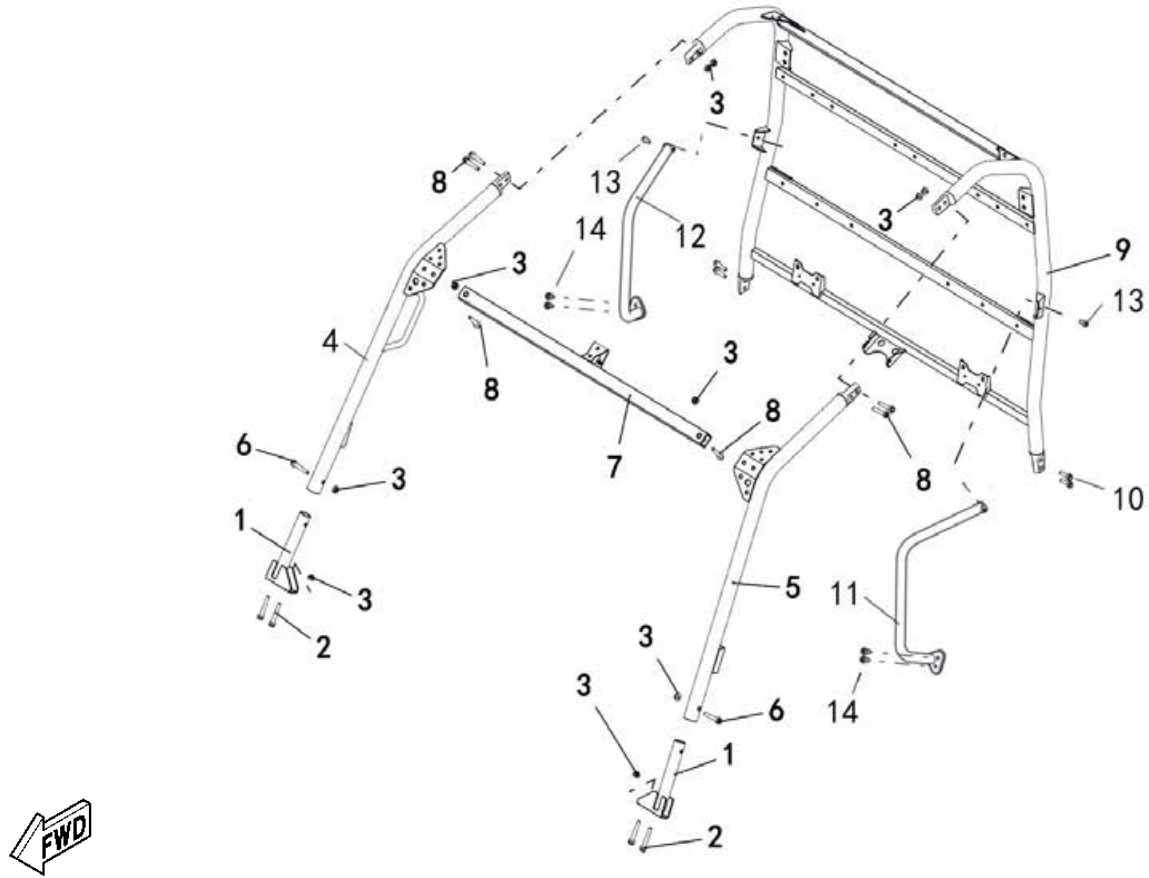
No.	PART No.	DESCRIPTION	QTY
1	48167	REAR RIGHT DRIVE AXLE	1
2	48166	REAR LEFT DRIVE AXLE	1
3	48155	BOLT M10X1.25	8
4	48156	HUB ASSY SHRT	2
5	48596	TIRE REAR	2
6	48597	WHEEL SUB-ASSY	2
7	48163	WASHER 24	2
8	48157	NUT M24, WHEEL	2
9	36162	CAP, WHEEL SUB-ASSY	2
10	20807a	VALVE, RIM (TR412)	2
11	48154	NUT M10×1.25, WHEEL	8
12	48347	HUB FOR STEEL WHEEL ASSY	2
13	48570	CLIP 1	2
14	48571	BOOT (OUTSIDE)	2
15	48572	CLIP 2	2
16	48573	CLIP 3	2
17	48574	BOOT (INNER SIDE)	2
18	48575	CLIP 4	2

10 SHIFT ROD



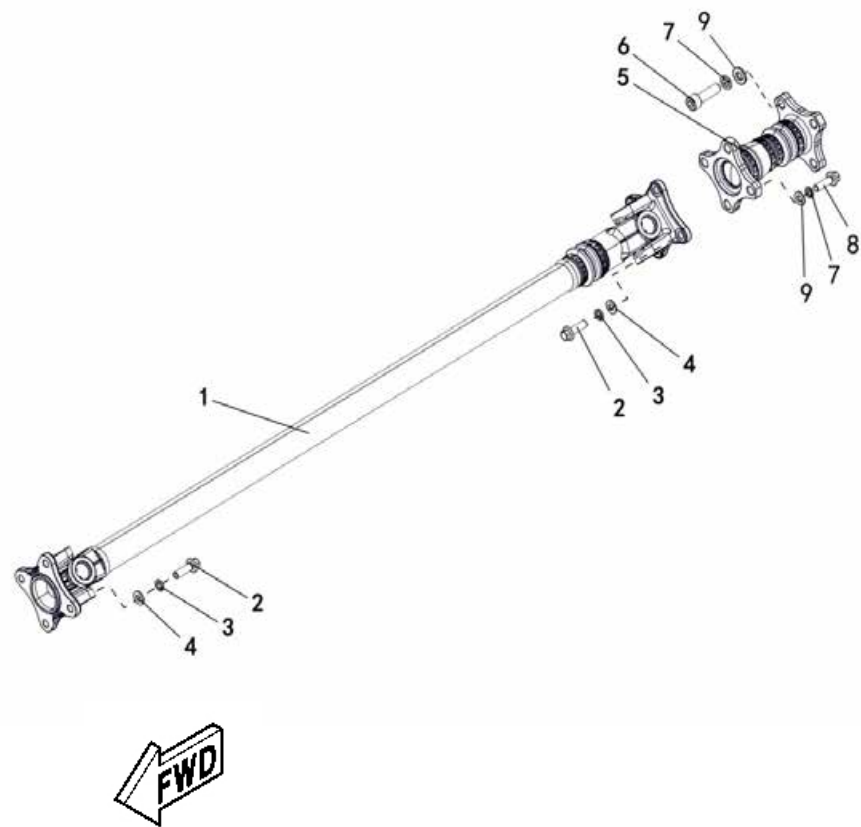
No.	PART No.	DESCRIPTION	QTY
1	48442	SHIFT MOUNTING PLATE ASSEMBLY	1
2	10783	BOLT M6×25	2
3	73705	SHIFT BOARD	1
4	48045	KNOB SHIFTER	1
5	48598	FRONT SHIFT ROCKER ARM	1
6	48599	COVER, DUST	1
7	48047	SPRING, SHIFTING	1
8	48046	PIN, GEARSHIFTER	1
9	11168	WASHR 8	1
10	10685	COTTER PIN 2X16	1
11	11246	SPRING RETAINER 6	1
12	10140B	BOLT M6×12	1
13	48443	CABLE, SHIFTER	1
14	48600	ROCKER	1
15	11539	BOLT M6×25	1
16	10657	NUT M10	1
17	48601	SHIFT GUARD PLATE SUPPORT PLATE	1
18	10106	WASHER SPRING 8	2
19	48602	BRACKET	1
20	48558	COVER	1
21	11709	CORE PULLING RIVETS 3.2X13	3

11 FRAME ROOF



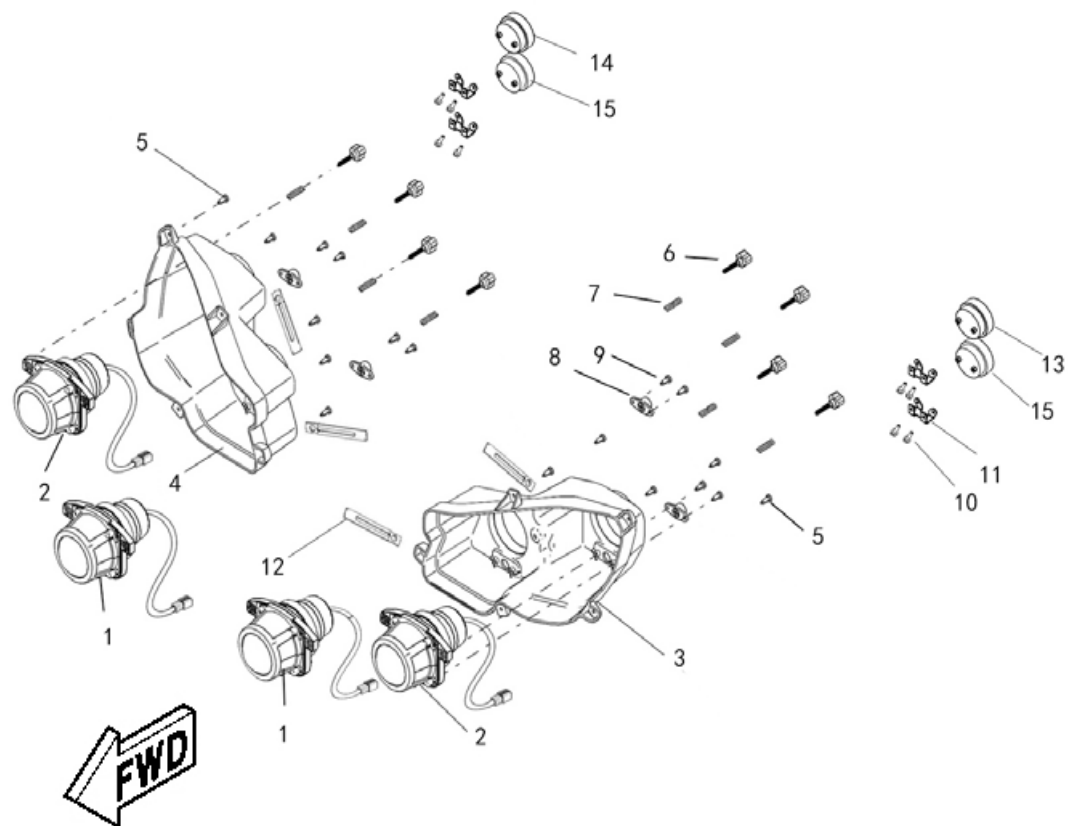
No.	PART No.	DESCRIPTION	QTY
1	48329	MEMBER,ROOF FRAME ,FRONT LOWER	2
2	10120	BOLT M10X62	4
3	10795	NUT M10	10
4	48330	MEMBER,ROOF FRAME ,FRONT RH	1
5	48331	MEMBER,ROOF FRAME ,FRONT LH	1
6	11238	BOLT M10X57	2
7	48332	MEMBER,ROOF FRAME ,FRONT	1
8	11239	BOLT M10X50	6
9	48087	MEMBER,ROOF FRAME ,REAR	1
10	11240	BOLT M10X1.25X35	4
11	48291	HANDREST PIPE ,LH	1
12	48292	HANDREST PIPE ,RH	1
13	10059	BOLT M8X25	2
14	10783	BOLT M8X20	4

16 FRONT AND REAR KNUCKLE ASSY



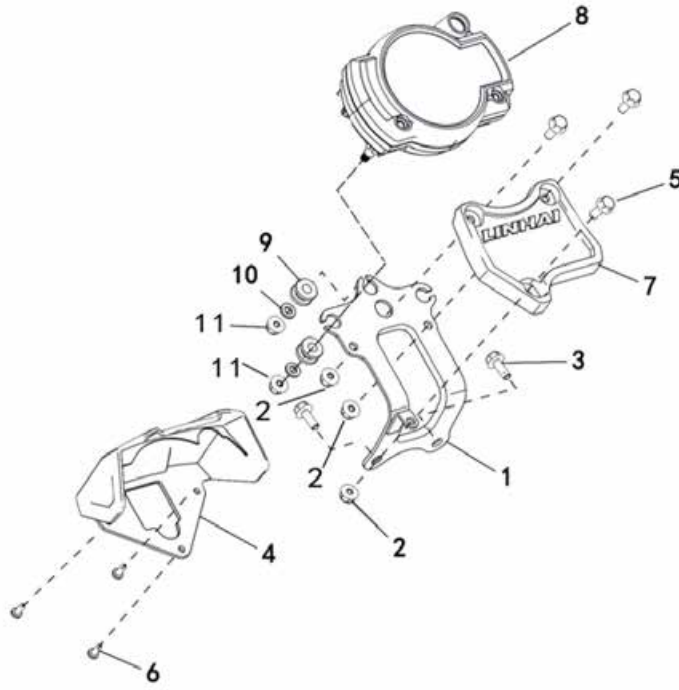
No.	PART No.	DESCRIPTION	QTY
1	48281	FRONT PROP SHAFT	1
2	11249	BOLT M8X1.0X25	8
3	10106	WASHER SPRING 8	8
4	10068	WASHER 8	8
5	48282	REAR PROP SHAFT	1
6	11169	BOLT M10X1.25X32	4
7	11165	WASHER SPRING 10	8
8	11257	BOLT M10X1.25X30	4
9	10089	WASHER 10	8

18 ELECTRICAL SYSTEM



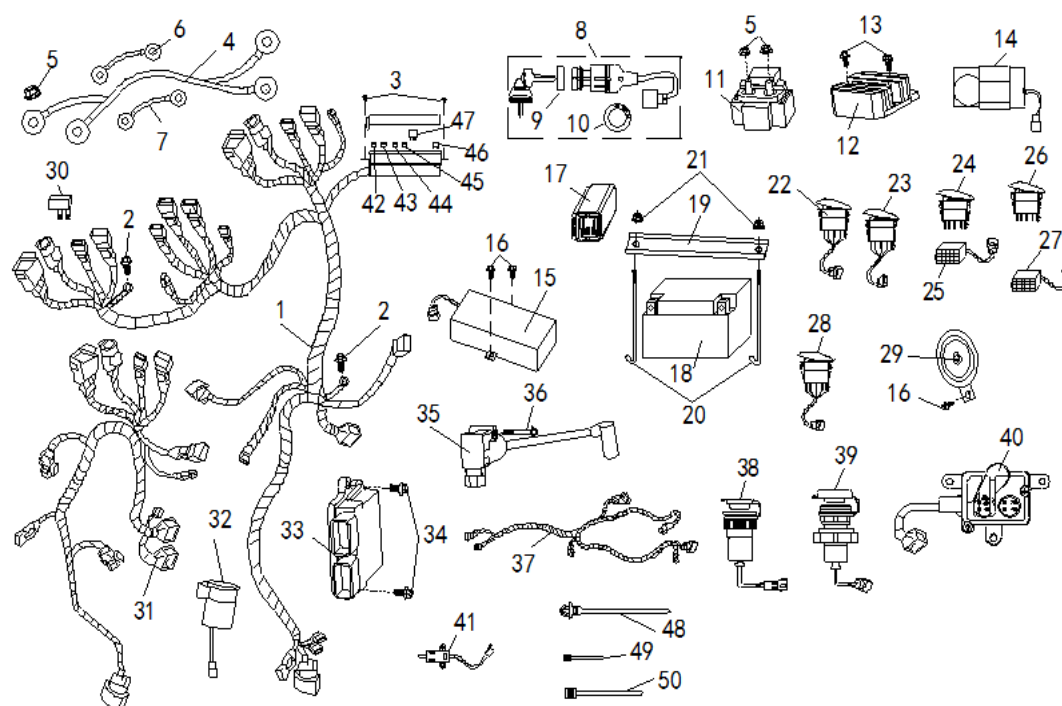
No.	PART No.	DESCRIPTION	QTY
1		HIGH BEAM HEADLIGHT	2
1		HIGH BEAM HEADLIGHT	2
2		LOW BEAM HEADLIGHT	2
2		LOW BEAM HEADLIGHT	2
3		HEAD LIGHT COVER,L	1
4		HEAD LIGHT COVER,R	1
5		TAPPING SCREW M5 ×16	10
6		HEAD LIGHT ADJUSTING BOLT	8
7		SPRING	8
8		HEAD LIGHT MOUNTING PLATE	4
9		TAPPING SCREW ST4.2×13	8
10		BOLT M5×16	8
11		TAIL LIGHT BRACKET	4
12		Clip	4
13		TURN INDICATE LIGHT,L,REAR	1
14		TURN INDICATE LIGHT,R,REAR	1
15		TAIL LIGHT	2

18 ELECTRICAL SYSTEM



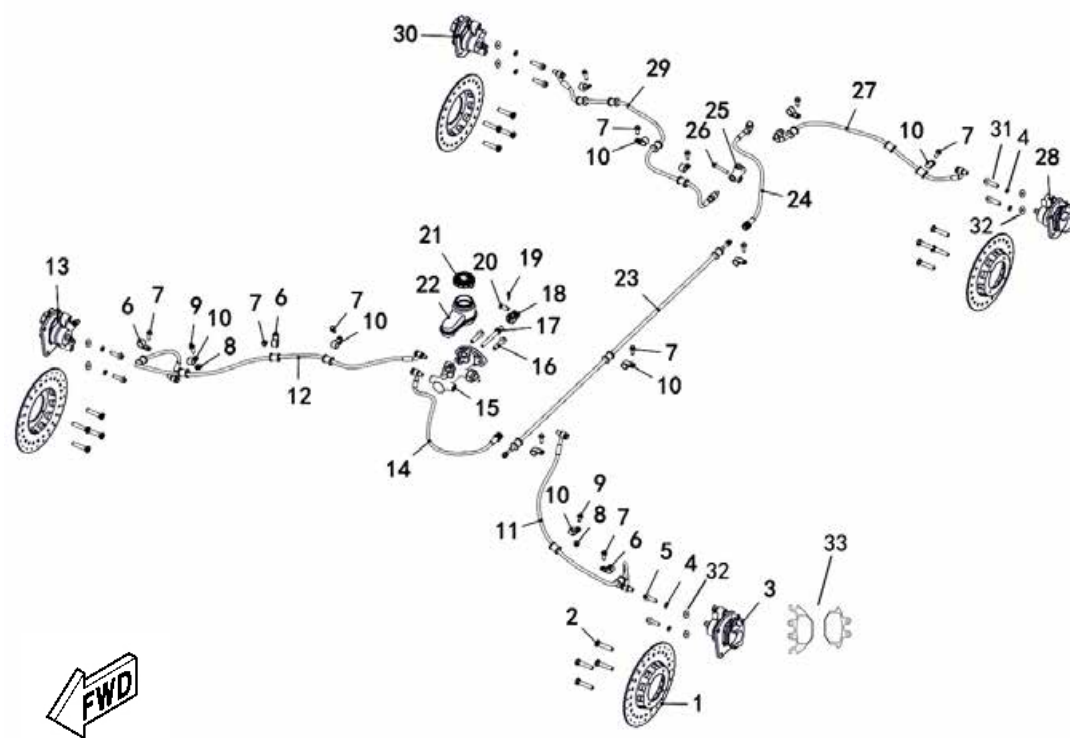
No.	PART No.	DESCRIPTION	QTY
1		BRACKET, METER	1
2		NUT M6	3
3		BOLT M6X16	2
4		COVER, METER	1
5		BOLT M6X16,WHITE	3
6		SCREW M5X16	3
7		COVER, METER BRACKET	1
8		LCD METER	1
9		RUBBER, METER	3
10		WASHER 6	3
11		Nut M6	3

18 ELECTRICAL SYSTEM



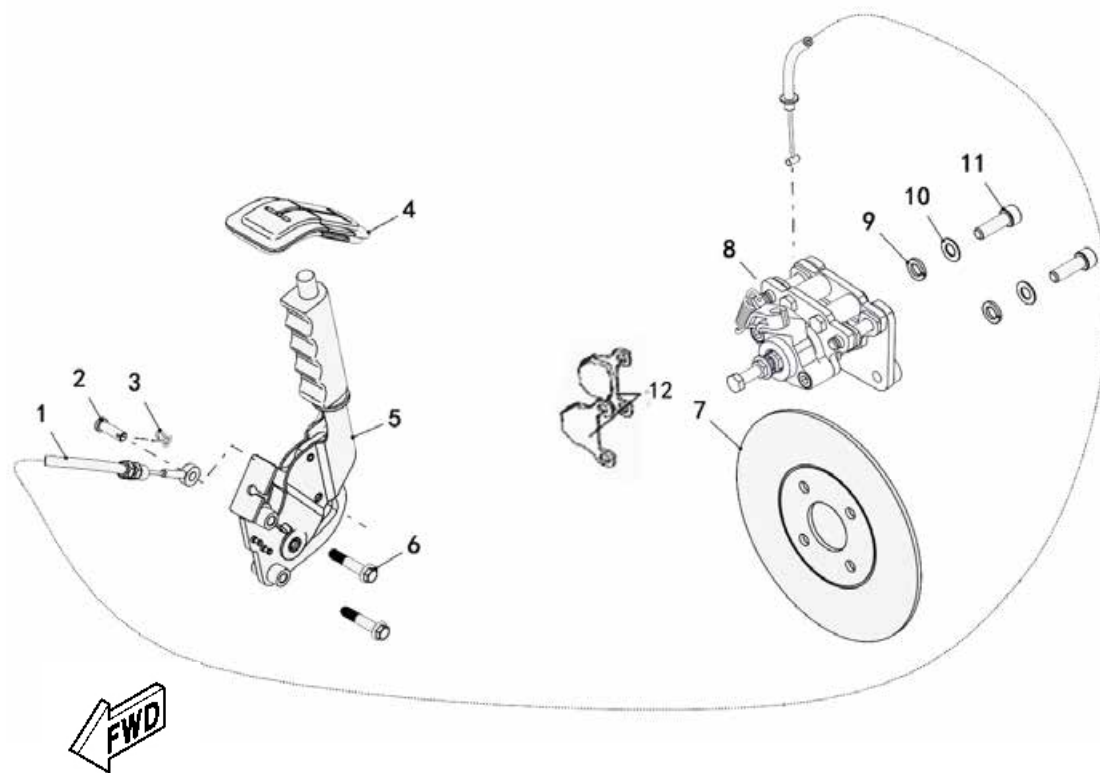
No.	PART No.	DESCRIPTION	QTY
1	48603	WIRING HARNESS	1
2	11495	BOLT M6×16	2
3	48316	TAPPING SCREW M5 ×16	5
4	48604	CABLE OF STARTING 1	1
5	11520	NUT M6	1
6	48604	CABLE OF STARTING 2	1
7	48605	CABLE OF STARTING 3	1
8	48606	LOCK ASSY	1
9	48607	LOCK	1
10	48608	LOCK DECAL	1
11	71602	STARTING RELAY	1
12	71603	RECTIFIER REGULATOR	1
13	11496	BOLT M6×30	2
14	71976	REVERSING BUZZER	1
15	48305	SOLENOID VALVE CONTROLLER	1
16	11495	BOLT M6×16	1
17	71474	EFI RELAY	1
18	48609	BATTERY (12V 20AH)	1
19	48327	PLATE FOR BATTERY	1
20	48610	FASTENING ROD OF BATTERY	2
21	11145	NUT M8	2
22	73436	HIGH/LOW BEAM SWITCH	1
23	48611	REAR DIFF SWITCH	1
24	73075C	EMERGENCY SWITCH	1
25	48402	TRANSITION LINE OF EMERGENCY SWITCH	1
26	47072	TURNING LIGHTS SWITCH	1
27	73439	WIRE, TURNING LIGHTS SWITCH	1
28	48298	HORN SWITCH	1
29	70404	HORN	1
30	26272	PROTECTOR	2
31	48612	WIRING HARNESS FOR EFI	1
32	73326	FLASHER RELAY ASSY	1
33	38000	ECU	1
34	11449	BOLT M6×25	2
35	70822D	IGNITION COIL	1
36	11260	BOLT M6×40	1
37	48613	TAILLIGHT TRANSITION LINE	1
38	36120	ACCESSORY SOCKET ASSY FOR USB	1
39	70400	ACCESSORY SOCKET ASSY	1
40	48614	4WD SWITCH	1
41	48293	PARKING SWITCH	1
42	48360	5 AMP FUSE	1
43	48361	10 AMP FUSE	1
44	48362	15 AMP FUSE	4
45	48363	20 AMP FUSE	1
46	84275	30 AMP FUSE	1
47	35083	AUXILIARY RELAY	7
48	48294	TIE	24
49	11334	TIE	7
50	55016	TIE	14

19 BRAKING SYSTEM



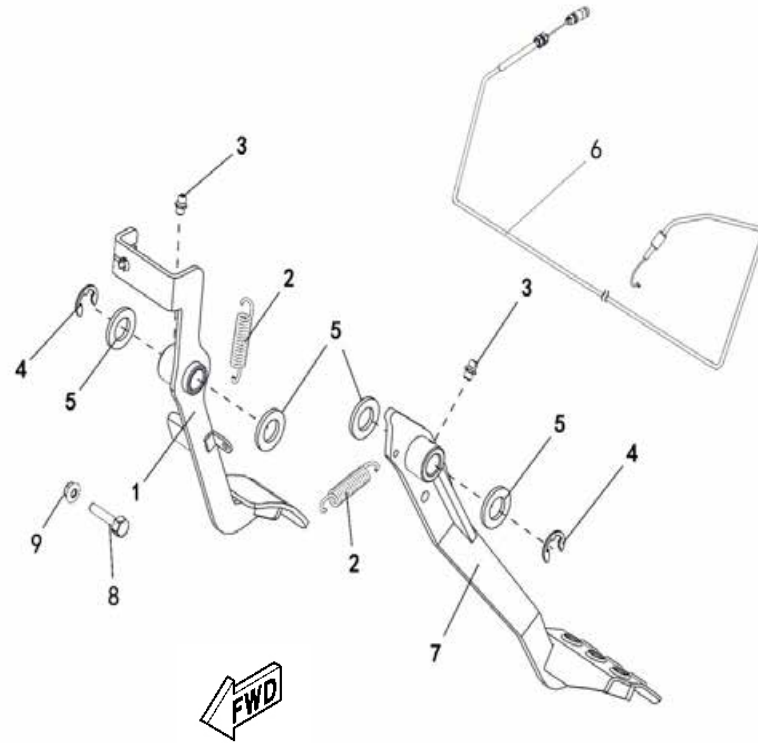
No.	PART No.	DESCRIPTION	QTY
1	48181	BRAKE ROTOR, DRIVER	4
2	48000	BOLT,BRAKE ROTOR	16
3	48173	BRAKE CALIPER, LEFT,FRONT	1
4	10106	SPRING 8	8
5	11466	BOLT M8x25 (10.9)	4
6	48182	CLAMP 1	3
7	11495	BOLT M6X16	12
8	11233	NUT M6	2
9	11459	BOLT M6x20	2
10	48183	CLAMP 2	11
11	48180	HOSE 1	1
12	48184	HOSE 2	1
13	48174	BRAKE CALIPER, RIGHT,FRONT	1
14	48185	HOSE 3	1
15	48175	MASTER CYLINDER	1
16	10059	BOLT M8x25	2
17	47705	PUSH ROD	1
18	73090	CLEVIS	1
19	10094	COTTER PIN 2X20	1
20	73091	CLEVIS PIN	1
21	48179	BRAKE RESRVOIR, COVER	1
22	48178	BRAKE RESRVOIR	1
23	48190	TUBE	1
24	48186	HOSE 4	1
25	48187	FITTING, TEE	1
26	11105	BOLT M6x35	1
27	48188	HOSE 5	1
28	48176	BRAKE CALIPER, LEFT,RARE	1
29	48189	HOSE 6	1
30	48177	BRAKE CALIPER, RIGHT,RARE	1
31	10060	BOLT M8x28	4
32	10068	WASHER 8	8
33	48414	BRAKE PADS	4
34	73086	Sensor,Brake	1

20 AUXILIARY BRAKE



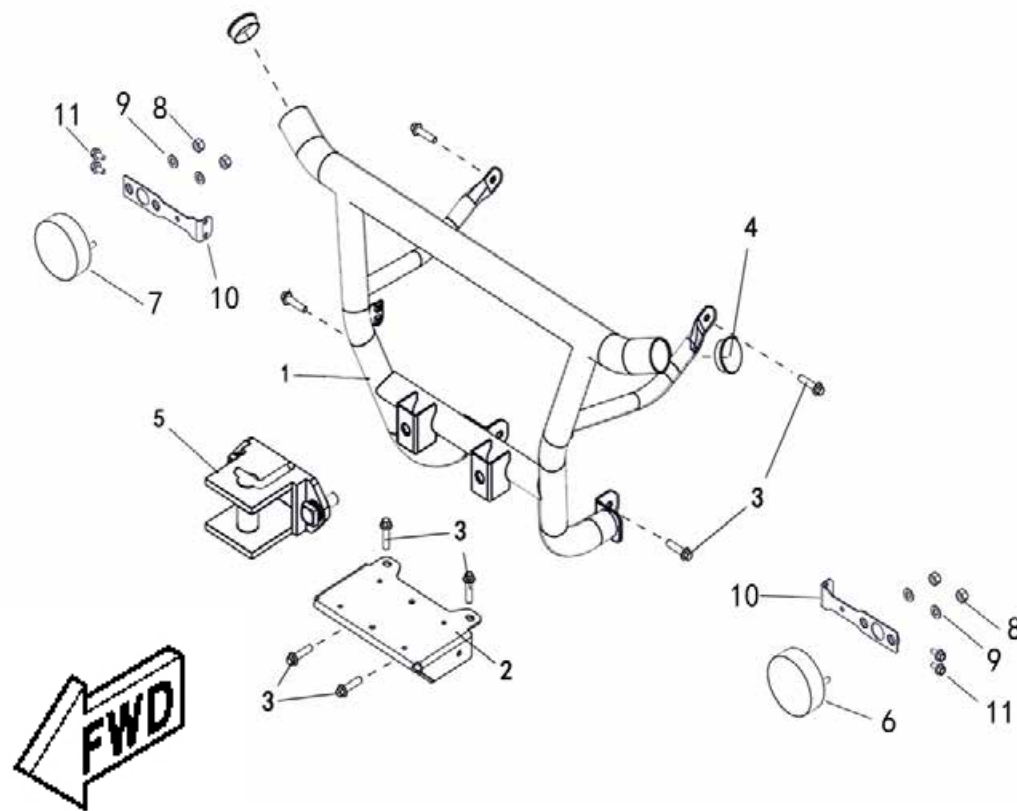
No.	PART No.	DESCRIPTION	QTY
1	48197	PARK BRAKE CABLE	1
1	48615	PARK BRAKE CABLE	1
2	48171	PIN AXLE	1
3	48172	PIN , R	1
4	48170	RUBBER,PARK BRAKE	1
5	48169	PARK BRAKE LEVER	1
6	11045	BOLT M8×40	2
7	48168	PARK BRAKE DISC	1
8	48616	BRAKE (ALIPER)	1
9	10027	SPRING WASHER 10	2
10	10089	WASHER 10	2
11	11715	BOLT M10X1.25X40	2
12	48617	PARKING PADS(INCLUDED IN 4CZ-26220-00)	2

21 PEDAL



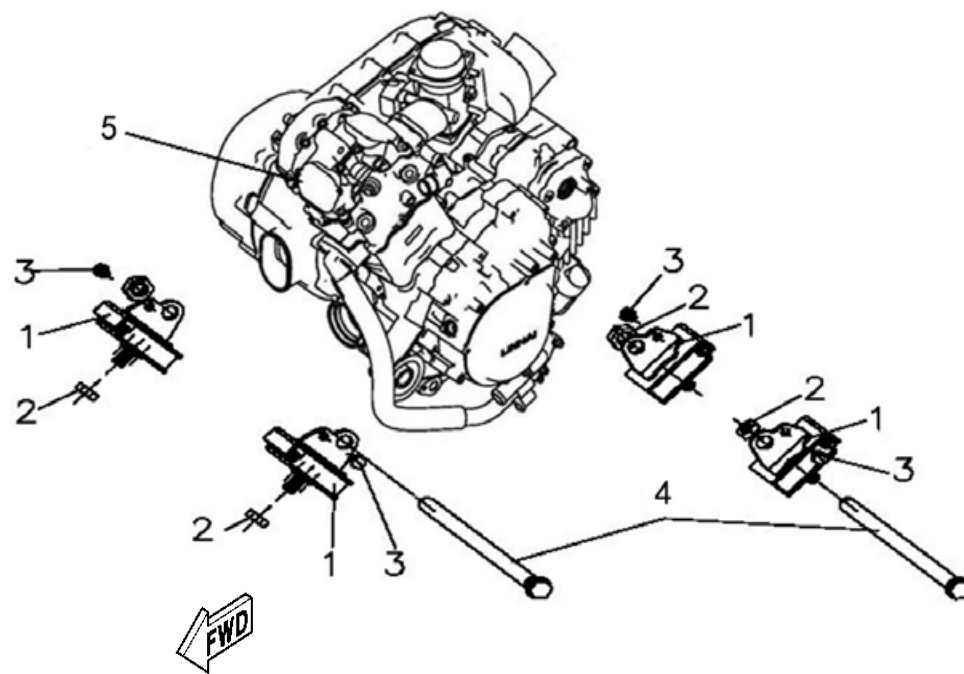
No.	PART No.	DESCRIPTION	QTY
1	48199	ACCELERATE PEDAL ASSY	1
2	73204	PEDAL SPRING	2
3	27074	GREASE FITTING M6	2
4	10811	LOCK WASHER 12 FOR SHAFTS	2
5	11247	WASHER 16	6
6	48196	THROTTLE CABLE	1
7	48198	BRAKE PEDAL ASSY	1
8	11248	BOLT M6X25	1
9	11192	NUT M6	1

22 BUMPER



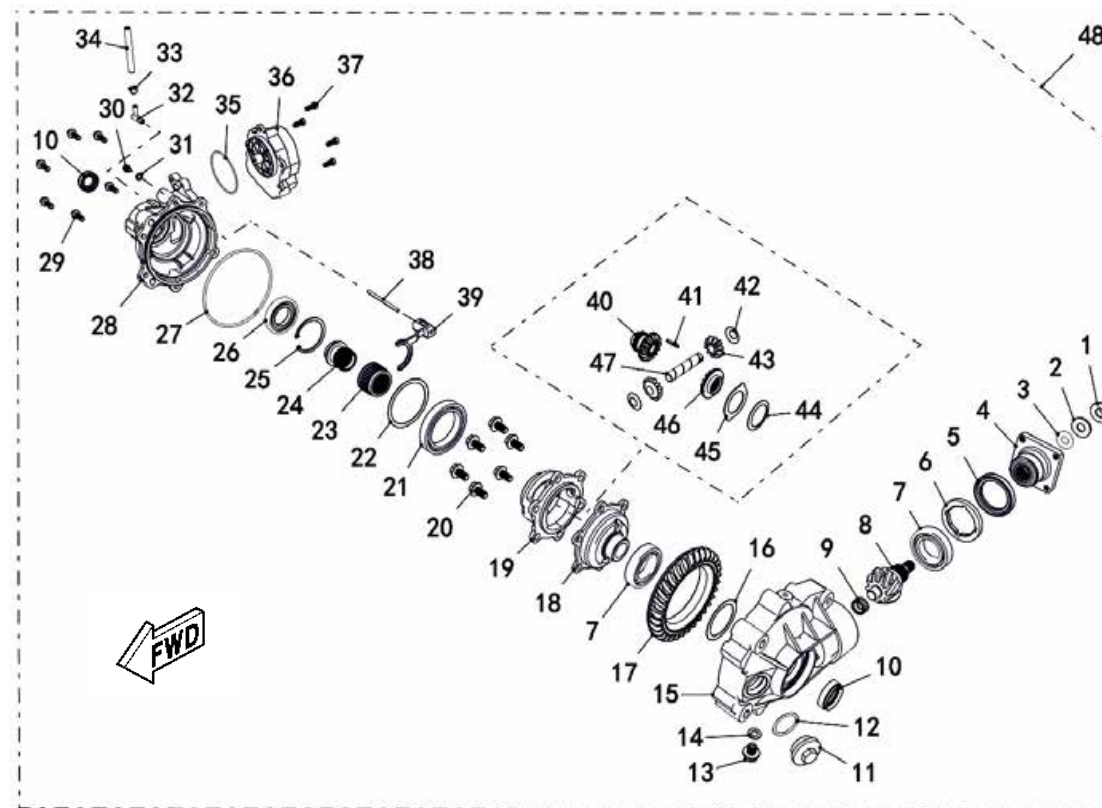
No.	PART No	DESCRIPTION	QTY
1	48619	FRONT BUMPER	1
2	48271	BRACKET	1
3	10783	BOLT M8X20	8
4	26763	PLUG	2
5	36894	FORMER HOLDER HOOK	1
6	48620	TURN INDICATE LIGHT,L,FR	1
7	48621	TURN INDICATE LIGHT,R,FR	1
8	11716	NUT M6	4
9	10068	WASHER 8	4
10	48622	BRACKET, TURN INDICATE LIGHT	2
11	10140B	BOLT M6X12	4

24 ENGINE ASSY



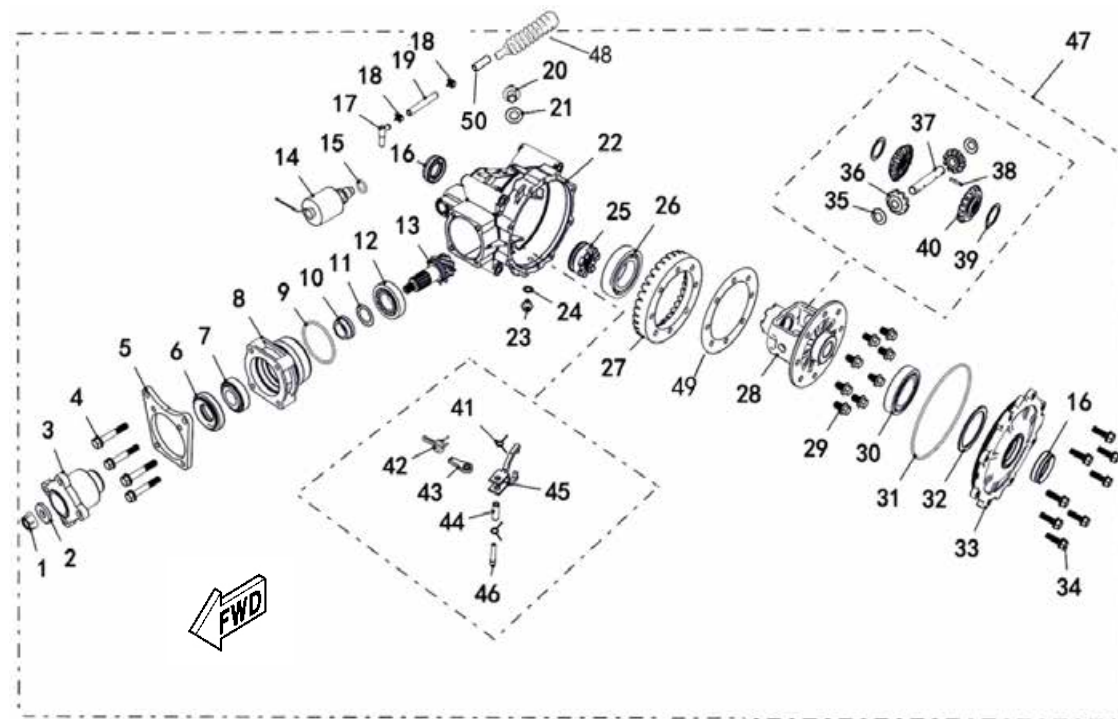
No.	PART No.	DESCRIPTION	QTY
1	35503	BUSHING ENGING BRACKET	4
2	10015A	NUT M10X1.25	4
3	10928	BOLT M6X16	4
4	35896	BOLT M12X1.25X175	2
5	38001	ENGING ASSY.	1

25 FRONT GEARBOX



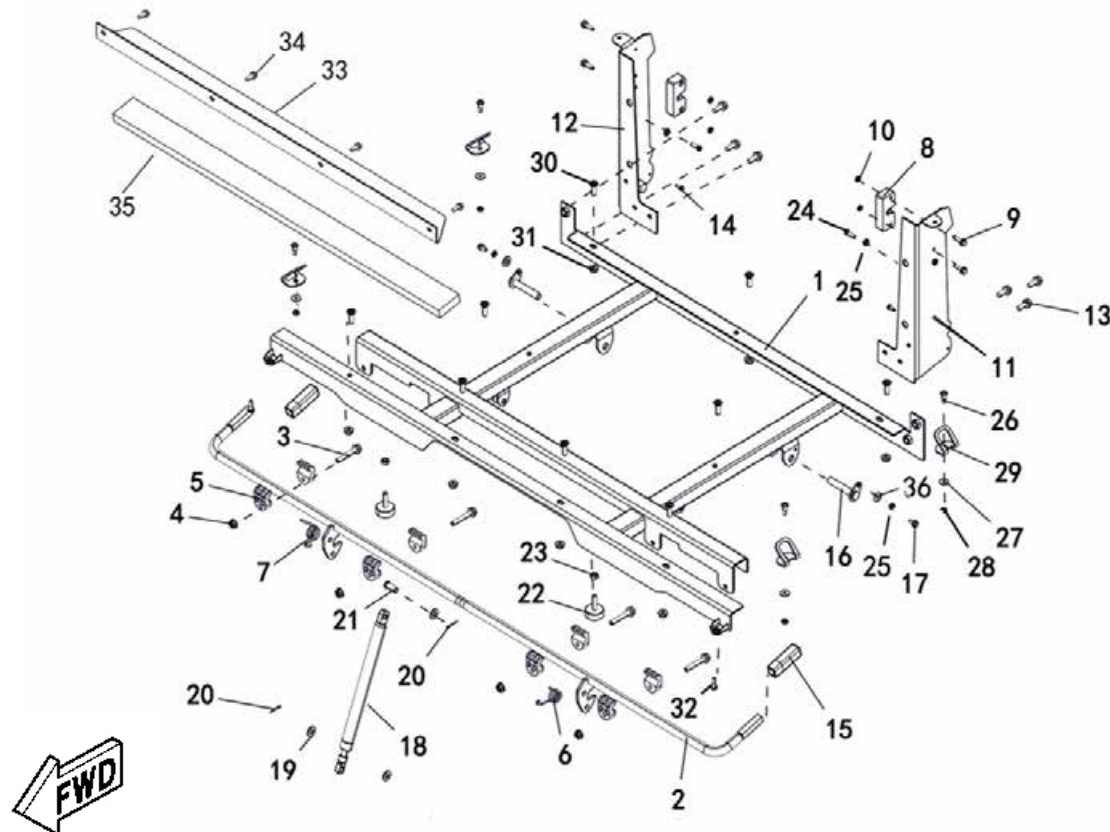
No.	PART No.	DESCRIPTION	QTY
1	26318	NUT, FRONT OUTPUT SHAFT	1
2	26324	WASHER, FRONT OUTPUT SHAFT NUT	1
3	35428	O-RING	1
4	26330	COUPLER, FRONT AXLE	1
5	35423	OIL SEAL 48×65×9	1
6	26317	BEARING RETAINER	1
7	35424	BEARING 6007	2
8	48286	BEVEL GEAR -DRIVING	1
9	35429	NEEDLE BEARING	1
10	35410	OIL SEAL 24×38×8	2
11	24305	FILL PLUG	1
12	50082	O-RING 30.5×3	1
13	73020	DRAIN BOLT	1
14	73021	WASHER 10	1
15	48285	FRONT AXLE BOX COVER	1
16	26323	ADJUSTING SHIM(61×48)	as needed
17	48287	BEVEL GEAR -DRIVEN	1
18	26334	TOP BRACKET,DIFFERENTIAL GEAR	1
19	26332	BRACKET,DIFFERENTIAL	1
20	26331	BOLT M10×1.25×20	6
21	10959	BEARING 61912	1
22	26322	ADJUSTING SHIM(83×71)	as needed
23	26315	DRIVE CLUTCH	1
24	26316	DRIVE CLUTCH COVER	1
25	10047	CIRCLIP 62	1
26	10960	BEARING 16007	1
27	35401	O-RING 141×2.4	1
28	48284	GEAR CASE, FRONT AXLE	1
29	10059	BOLT M8×25	6
30	11075	SCREW M8×8	1
31	35162	WASHER 8	1
32	47717	VENT NOZZLE	1
33	25107	CLIP	1
34	48288	VENT PIPE	1
35	35389	O-RING 81.2×1.9	1
36	35388	GEAR MOTOR	1
37	35391	SCREW M8×20	4
38	10957	PIN SHAFT	1
39	26314	SHIFT FORK	1
40	35434	DRIVE GEAR	1
41	11076	PIN 5×25	1
42	26327	WEARING RING	2
43	35437	GEAR(CENTER), DIFFERENTIAL	2
44	26325	WASHER	1
45	26326	SHIM	1
46	35440	DRIVEN GEAR	1
47	26333	GEAR SHAFT	1
48	48283	FRONT AXLE	1

26b REAR DIFF GEARBOX



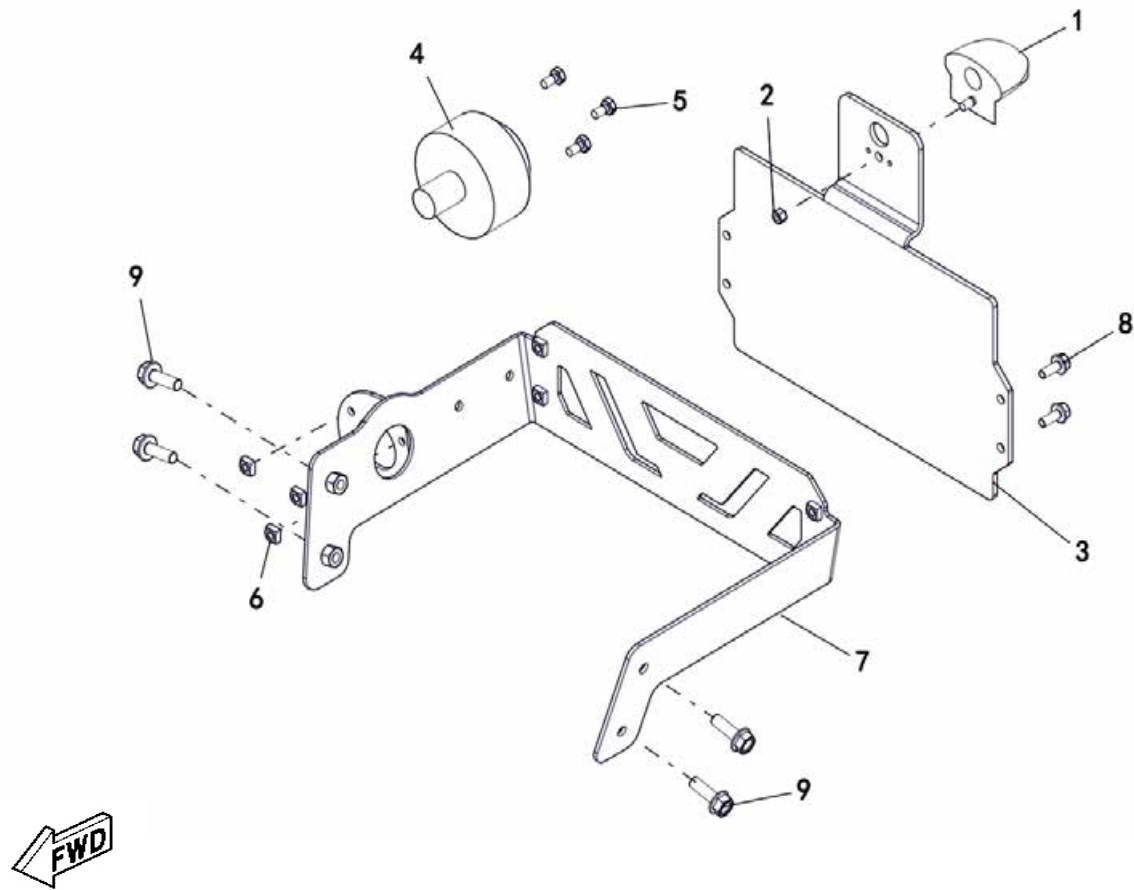
No.	PART No.	DESCRIPTION	QTY
1	35285	NUT, REAR OUTPUT SHAFT	1
2	35284	WASHER, REAR OUTPUT SHAFT NUT	1
3	48115	COUPLER, REAR AXLE	1
4	11022	BOLT M8×50	4
5	48623	MOUNT BRACKET-PARKING BRAKING	1
6	35471	OIL SEAL 35×61×9	1
7	11012	BEARING 30205	1
8	27583	BEVEL GEAR BEARING HOUSING	1
9	26311	O-RING 69×3	1
10	27581	BEARING SLEEVE	1
11	35277	ADJUSTING SHIM,BEVEL GEAR -DRIVING	as needed
12	11013	BEARING 30206	1
13	48116	BEVEL GEAR -DRIVING	1
14	48112	DIFF SOLENOID	1
15	73013	O-RING 17×3	1
16	26302	OIL SEAL 30×50×13.5	2
17	47717	VENT NOZZLE	1
18	25107	CLIP	2
19	48376	VENT PIPE	1
20	83179	BOLT M18×1.25	1
21	83180	WASHER 18	1
22	48114	GEAR CASE,REAR AXLE	1
23	73020	DRAIN BOLT	1
24	73021	WASHER	1
25	73030	CLUTCH GEAR	1
26	11023	BEARING 6210	1
27	48117	BEVEL GEAR -DRIVEN	1
28	27587	DIFF CASE	1
29	27588	HEXAGON FLANGE BOLT M10×1.25×16	8
30	10056	BEARING 110	1
31	35493	O-RING 151×3	1
32	21106	ADJUSTING SHIM	as needed
33	27589	REAR AXLE BOX COVER	1
34	10059	BOLT M8×25	8
35	73036	WEARING RING	2
36	73035	PLANETARY GEAR	2
37	73032	GEAR SHAFT	1
38	11024	PIN 4×30	1
39	73034	SIDE GEAR THRUST-WASHER	2
40	73031	DIFF SIDE GEAR	2
41	73040	SHIFT RETURN SPRING	2
42	73038	SHIFT LEVER SPRING	1
43	27592	SHIFT LEVER	1
44	27591	SHIFT BAR	1
45	73041	SHIFT YOKE	1
46	27590	SHIFT PIN	1
47	48113	REAR AXLE	1
48	35919	BREATHING AIR	1
49	48434	GASKET,BEVEL GEAR -DRIVEN	as needed
50	35918	LINK, BREATHING AIR	1

28 BOX ASSY



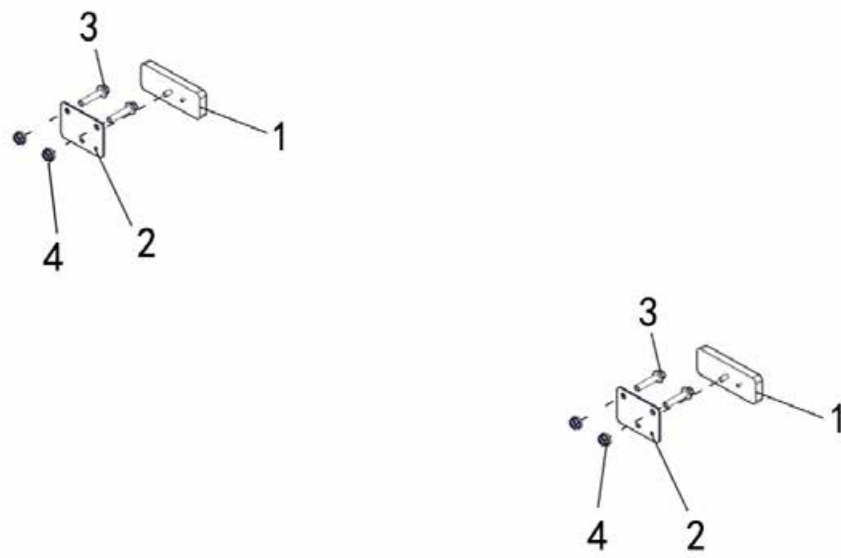
No.	PART No.	DESCRIPTION	QTY
1	48132	BOX FLOOR COVER	1
2	48133	CARGO HANDLE ASS'Y	1
3	11101	BOLT M8X45	4
4	11145	NUT M8	4
5	48134	RUBBER SHEATH	8
6	48135	PEDAL SPRING ,L	1
7	48136	PEDAL SPRING ,R	1
8	48139	LOCK SEAT ,REAR TRUNK	2
9	11444	BOLT M6X22	4
10	10104	NUT M6	4
11	48142	REAR SIDE PROTECTING PLATE,LH	1
12	48143	REAR SIDE PROTECTING PLATE,RH	1
13	10783	BOLT M8X20	6
14	48316	TAPPING SCREW M5 ×16	2
15	55053	CAP,PROTECTOR END	2
16	48313	PIN SHAFT ,ROTATION	2
17	10140B	BOLT M6X12	2
18	26784	DAMPER	1
19	10089	WASHER 10	3
20	10021	PIN 2.5×20	2
21	73161	PIN AXLE	1
22	48151	DAMPER, CARGO BOX ADJUSTING	2
23	11483	NUT M8	2
24	48147	BOLT	2
25	11019	WASHER SPRING 6	4
26	48270	BOLT M6X20	4
27	11246	WASHER 6	4
28	11233	NUT M6	4
29	48153	HOOK	4
30	48359	BOLT,BRAKE ROTOR	9
31	11145	NUT M8	9
32	48270	SCREW M6×20	2
33	48351	PLATE, BOX	1
34	48270	BOLT M6X20	4
35	48352	SPONGE	1
36	11245	WASHER 6	2

29 LICENSE LAMP MOUNTING PLATE



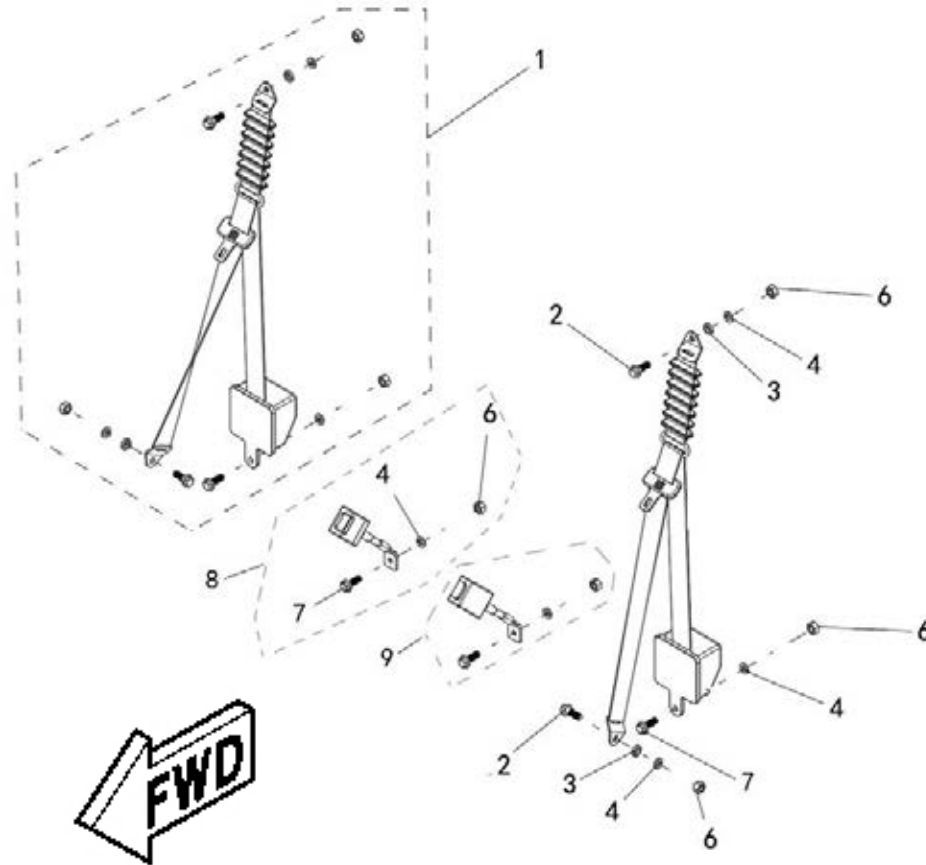
No.	PART No.	DESCRIPTION	QTY
1	83459	REAR RIGISTRATION PLATE LAMP	1
2	11717	Nut M5	1
3	48624	LICENCE LAMP MOUNTING PLATE	1
4	48625	Trailer power socket	1
5	10935	Screw M6X38	3
6	11454	Nut M6	3
7	48626	BRACKET	1
8	11495	Bolt M6×16	4
9	10783	Bolt M8X20	4

29 REAR REFLECTOR



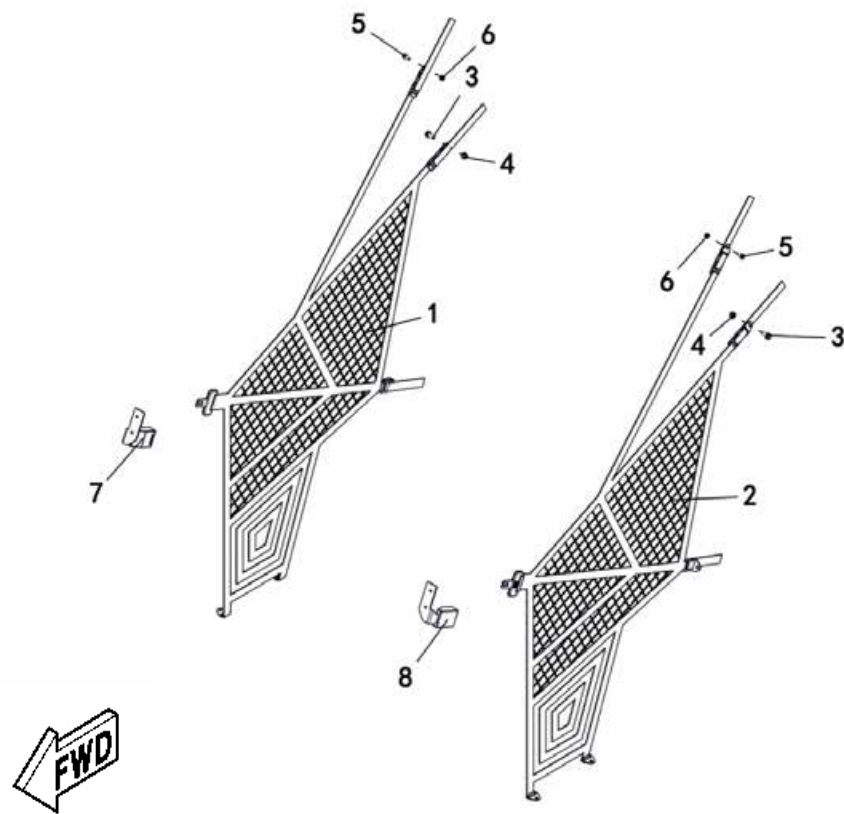
No.	PART No.	DESCRIPTION	QTY
1	48627	REAR REFLECTOR	2
2	48408	REFLECTOR BRACKET	2
3	11459	BOLT M6×20	6
4	11233	NUT M6	6

30 SEAT BELT



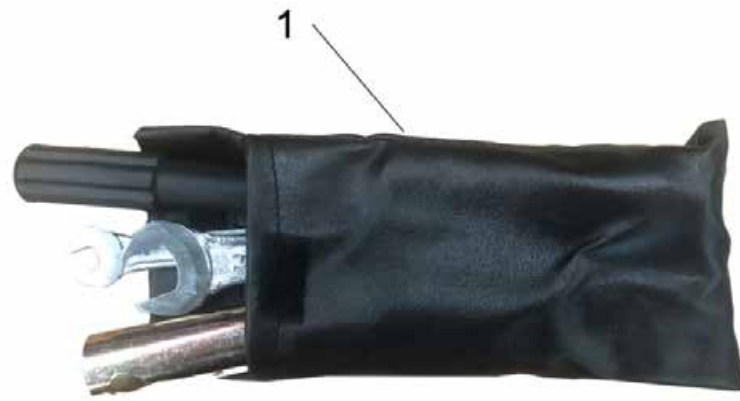
No.	PART No.	DESCRIPTION	QTY
1	48380	SEAT BELT ASSY	2
2	48381	BOLT 1	4
3	48382	WASHER 1	4
4	48383	SPRING WASHER	8
5	48384	WASHER 2	6
6	48385	NUT	8
7	48386	BOLT 2	4
8	48387	BELT RECEIVER ASSY, R	1
9	48388	BELT RECEIVER ASSY, L	1

31 BODY, SIDE NETS



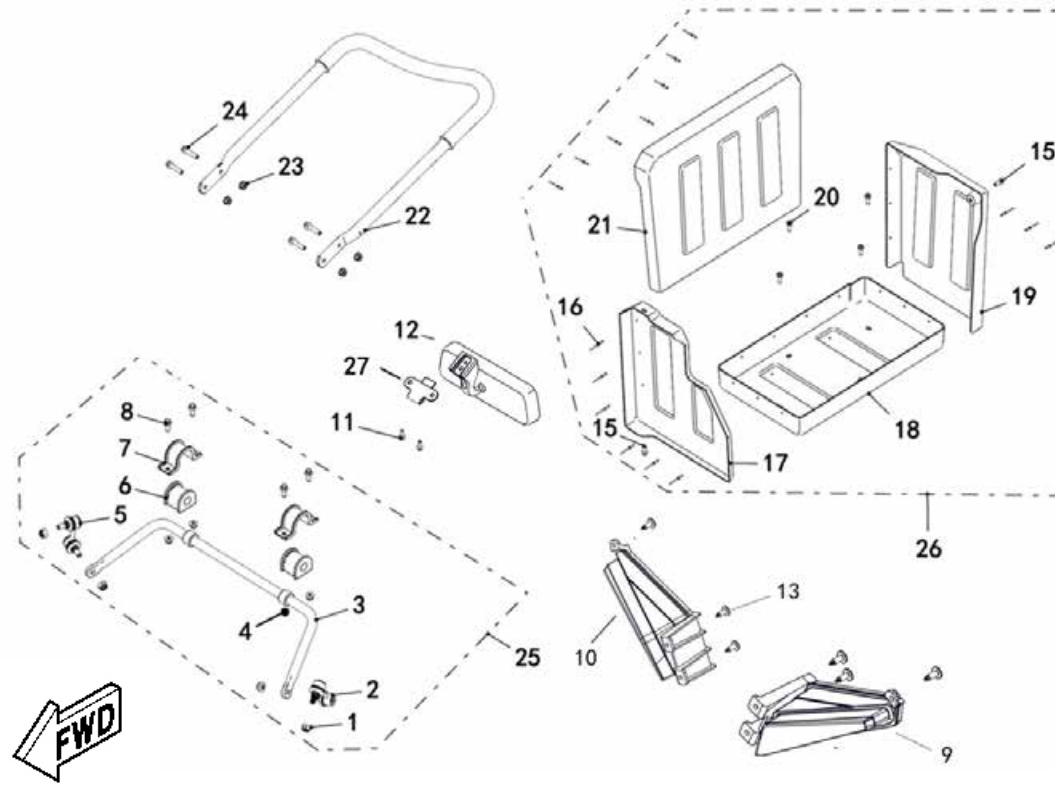
No.	PART No.	DESCRIPTION	QTY
1	48275	NET, SIDE,R	1
2	48276	NET, SIDE,L	1
3	10783	BOLT M8X20	2
4	11145	NUT M8	2
5	11495	BOLT M6X16	2
6	11233	NUT M6	2
7	48273	ASM., CLIP, NET,R	1
8	48274	ASM., CLIP, NET,L	1

32 TOOLS



No.	PART No.	DESCRIPTION	QTY
1	80393	TOOLS	1

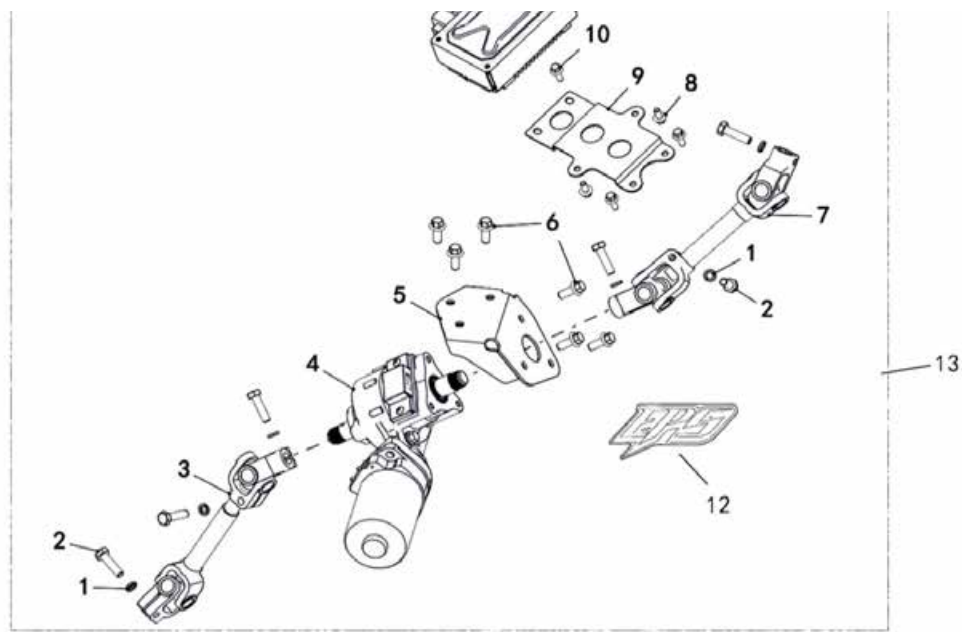
33 OPTIONS



No.	PART No.	DESCRIPTION	QTY
1	10795	NUT M10	4
2	48081	BALL PIN, LH	1
3	48078	FRONT STABILIZER BAR	1
4	11145	NUT M8	4
5	48080	BALL PIN, RH	1
6	27091	RUBBER SUPPORT SEAT	2
7	27090	RETAINING COVER	2
8	10783	BOLT M8×20	4
9	48400	LED DECORATIVE LIGHT, L	1
10	48401	LED DECORATIVE LIGHT, R	1
11	11495	BOLT M6×16	2
12	48545	CENTER MIRROR KIT	1
13	48316	TAPPING SCREW M5 ×16	6
15	48269	BOLT M6×16	2
16	11256	CORE PULLING RIVETS 3X10	16
17	48261	TOOL BOX,BEFORE THE BAFFLE	1
18	48255	TOOL BOX,FLOOR	1
19	48262	TOOL BOX,TAILGATE	1
20	48270	SCREW M6×20	4
21	48260	TOOL BOX,THE SIDE PANEL	1
22	48290	ASSIST GRIP ASSY	1
23	11145	NUT M8	4
24	10783	BOLT M8×20	4
25	48082	FRONT STABILIZER BAR	1
26	48265	TOOL BOX, ASSEMBLY	1
27	48546	BRACKET, CENTER MIRROR KIT	1

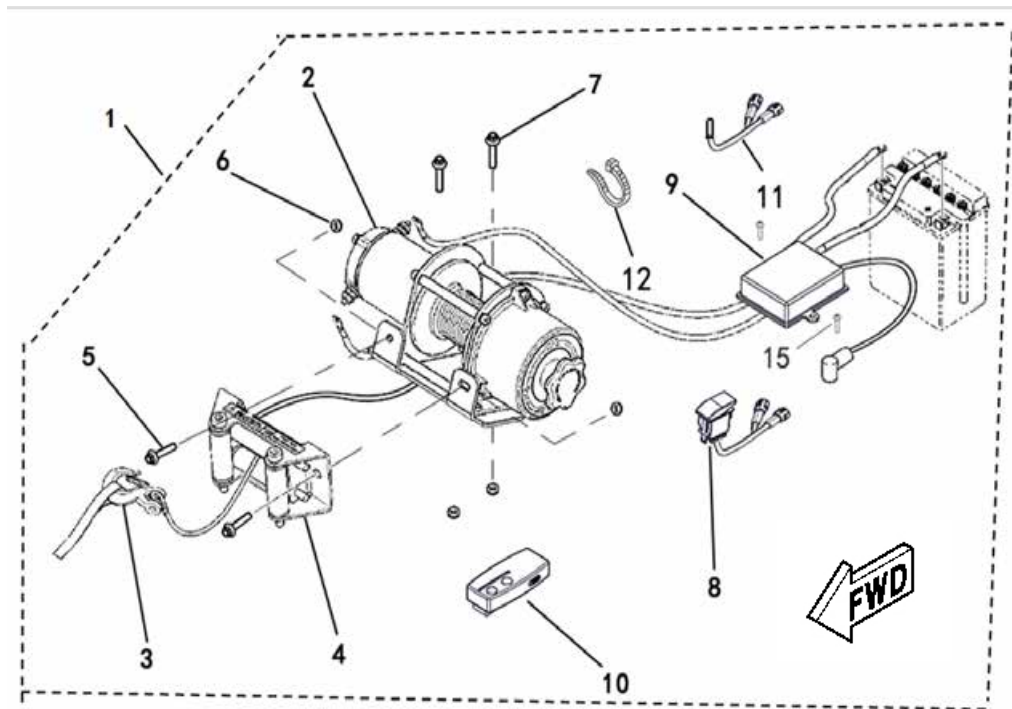
33 OPTIONS (EPS)





No.	PART No.	DESCRIPTION	QTY
1	10106	SPRING 8	6
2	10653	BOLT M8×30	6
3	48100	EPS OUTPUT UNIVERSAL AXIS.	1
4	48099	EPS POWER ASSEMBLY	1
5	48084	PLATE EPS ASSY	1
6	10783	BOLT M8×20	6
7	48096	EPS OUTIN UNIVERSAL AXIS.	1
8	10140B	BOLT M6×12	2
9	48095	PLATE, EPS CONTROLLER	1
10	73054	SCREW M6×16	3
11	48101	EPS CONTROLLER	1
12	48389	EPS MARK	2
13	48628	EPS ASSEMBLY (INCLUDING PACKAGING)	1

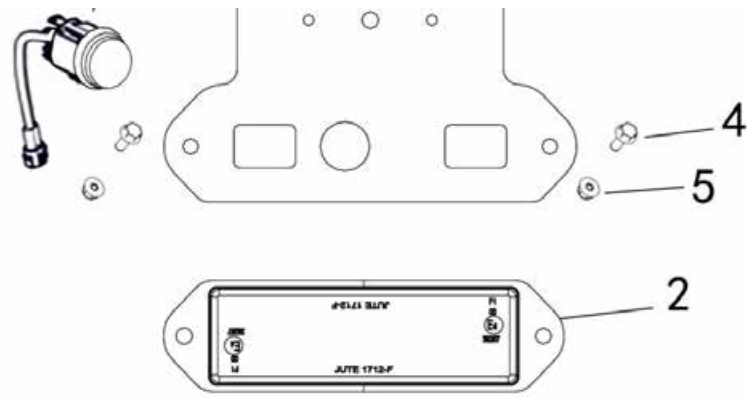
33 OPTIONS (TRACTOR)



No.	PART No.	DESCRIPTION	QTY
1	48629	TRACTOR ASSY	1
2	73544	TRACTOR	1
3	73545	TOW HOOK	1
4	73546	SLIDEWAY	1
5	10783	BOLT M8×20	2
6	11145	NUT M8	4
7	10783	HEXAGON FLANGE BOLT M8×20	2
8	73547	SWITCH	1
9	48368	CONTROLLER	1
10	73549	REMOTE CONTROL	1
11	48369	TEMPERATURE SENSOR	1
12	11334	TIE	1
15	11529	SCREW M5X16	2

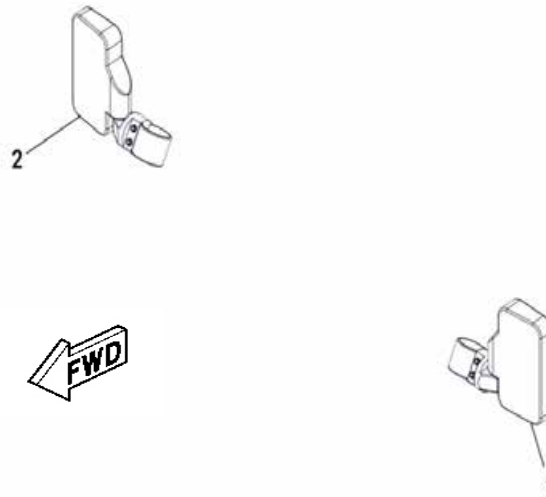
33 OPTIONS (FOG LIGHT)





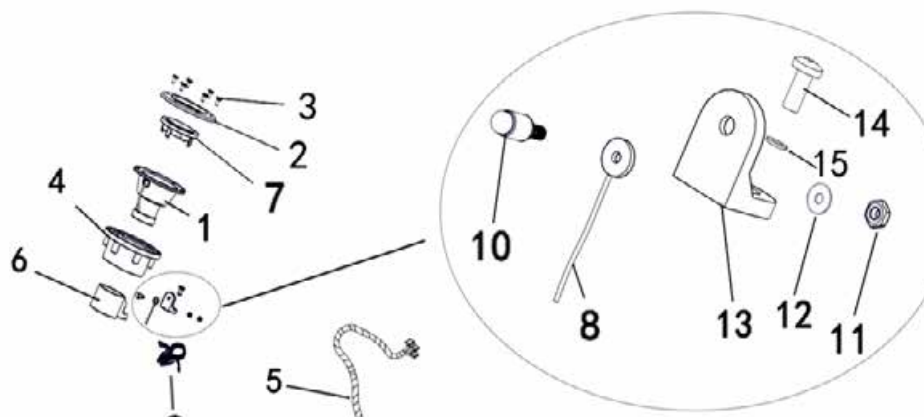
No.	PART No.	DESCRIPTION	QTY
1	48630	REAR FOG LIGHT SWITCH	1
2	48631	REAR FOG LIGHT	1
3	48632	PLATE, REAR FOG LIGHT	1
4	11718	BOLT M5×20	2
5	11719	NUT M5	2

33 OPTIONS (REAR VIEW MIRROR)



No.	PART No.	DESCRIPTION	QTY
1	48633	REAR VIEW MIRROR, L	1
2	48634	REAR VIEW MIRROR, R	1

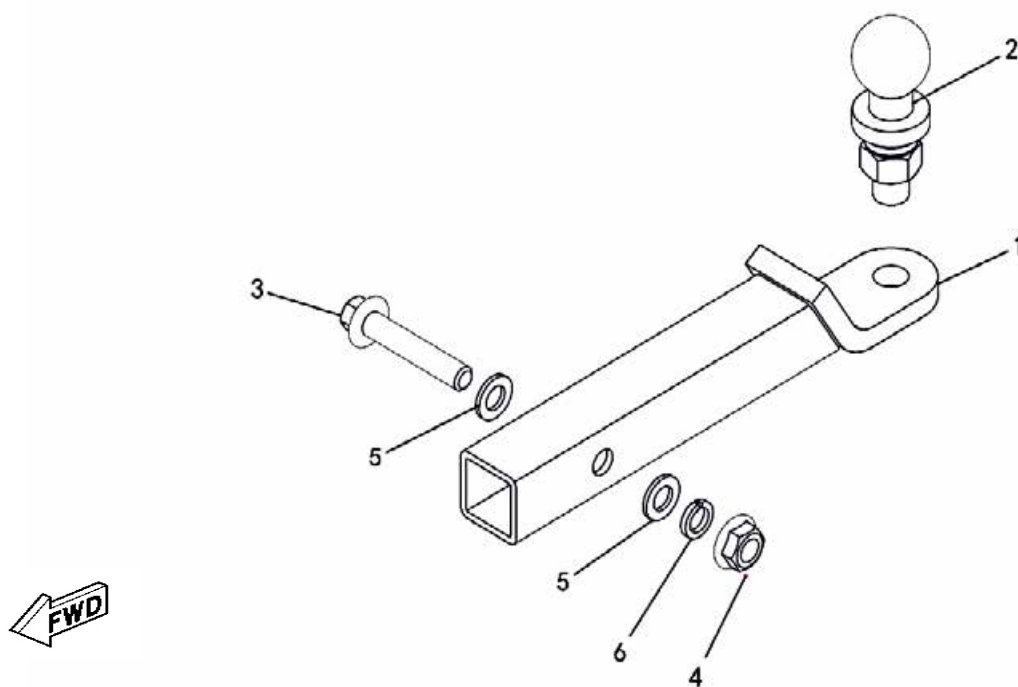
33 OPTIONS





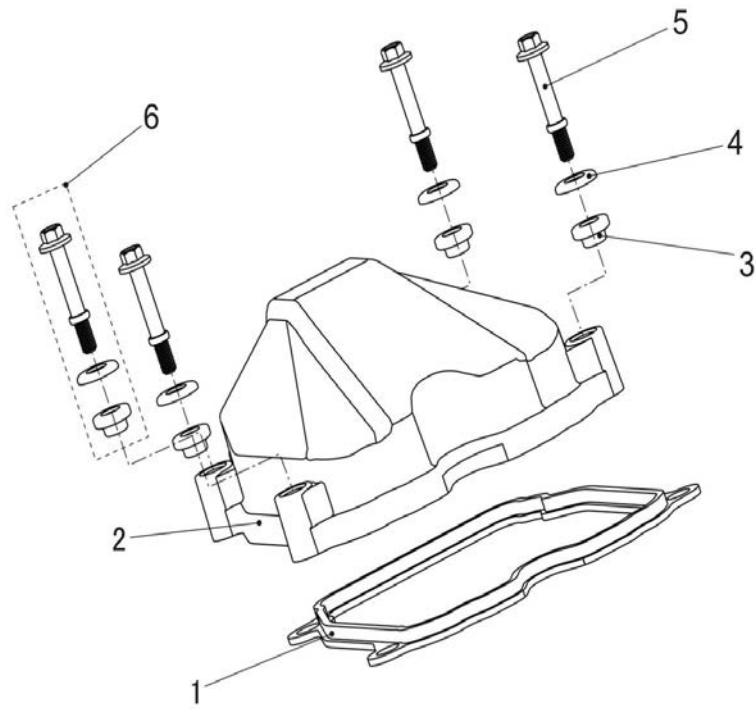
No.	PART No.	DESCRIPTION	QTY
1	47791	STEERING WHEEL HOLDER	1
2	47792	STEERING COVER	1
3	47793	SCREW M5X20	6
4	47794	COVER,STEERING WHEEL HOLDER	1
5	47795	HORN SWITCH TRANSITION LINE	1
6	47796	COVER,STEERING COLUMN ASSY.	1
7	47797	HORN SWITCH	1
8	47798	WIRE, HORN SWITCH	1
9	47799	TIE	2
10	47800	HORN CONTACTS	1
11	11710	NUT M3	1
12	11297	WASHER 4	1
13	47801	HORN CONTACTS HOLDER	1
14	11471	SCREW M5X12	1
15	11226	WASHER 5	1

33 OPTIONS (TRAILER HITCH)



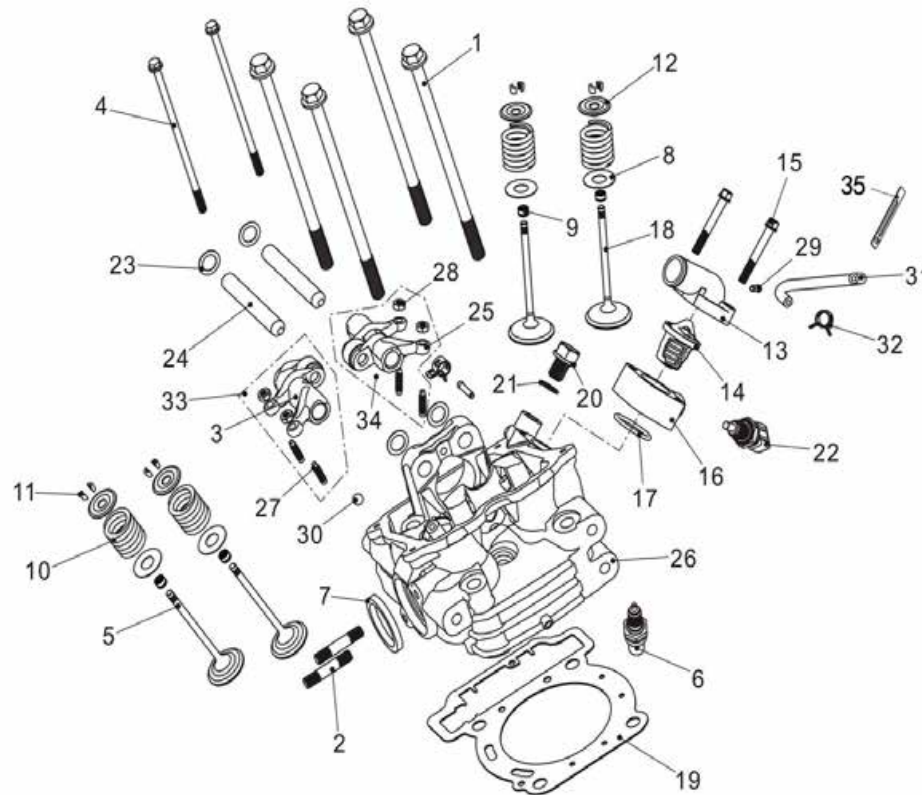
No.	PART No.	DESCRIPTION	QTY
1	48556	BRACKET, TRACTOR	1
2	48557	BALL,TRACTOR	1
3	10964	BOLT M16X95	1
4	10658	NUT M16	1
5	10037	WASHER1 6	2
6	27050	WASHER SPRING 16	1

1 CYLINDER HEAD COVER



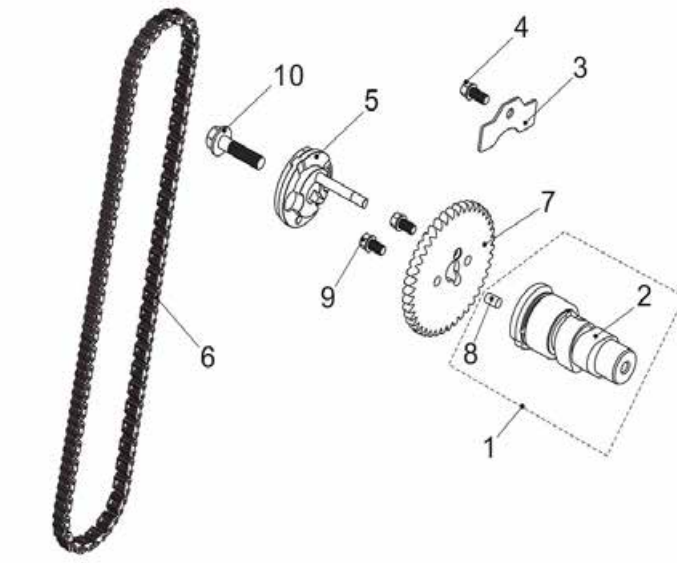
No.	PART No.	DESCRIPTION	QTY
1	38003	GASKET, CYLINDER HEAD COVER	1
2	38004	CYLINDER HEAD COVER	1
3	38005	RUBBER WASHER	4
4	38006	CAP, RUBBER WASHER	4
5	38007	BOLT, CYLINDER HEAD COVER	4
6	38008	BOLT COMP. CYLINDER HEAD COVER	4

2 CYLINDER HEAD



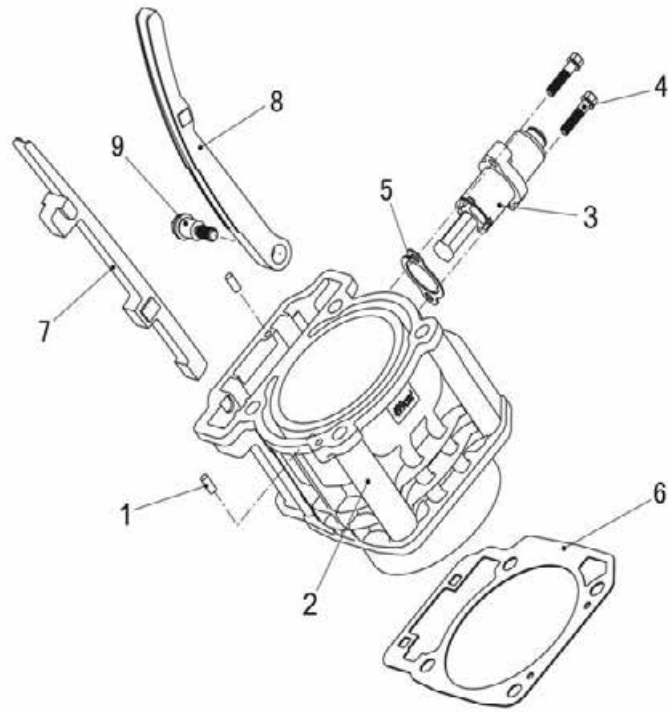
No.	PART No.	DESCRIPTION	QTY
1	72297	BOLT	4
2	38009	STUD M8x42	2
3	38010	ROCKER ARM ,EXHAUST	1
4	38011	BOLT M6X132	2
5	38012	VALVE, EXHAUST	2
6	38151	SPARK PLUG	1
7	38013	GASKET, EXHAUST PIPE	1
8	38014	LOWER SEAT, VALVE SPRING	4
9	38015	SEAL RING SET, VALVE STEM	4
10	38016	SPRING, VALVE	4
11	38017	LOCK CLIP, VALVE	8
12	38018	UPPER SEAT, VALVE SPRING	4
13	38019	THERMOSTAT COVER	1
14	38020	THERMOSTAT	1
15	11583	BOLT M6x45 TRIVALENT COLOR	2
16	48635	SEAT,THERMOSTAT	1
17	11584	O-RING,28x2.65	1
18	38022	VALVE, INTAKE	2
19	38023	GASKET, CYLINDER HEAD	1
20	50105	DRAIN BOLT, M12x1.5	1
21	38143	WASHER 14	1
22	35095e	WATER TEMPERATURE SENSOR	1
23	38024	WASHER 12.3x18.5x0.5	4
24	38025	SHAFT, ROCKER ARM	2
25	38026	ROCKER ARM, INTAKE	1
26	38027	CYLINDER HEAD COMP	1
27	38028	ADJUST SCREW, VALVE	4
28	38029	ADJUST NUT, VALVE	4
29	35851	WATER CONNECTION	2
30	11585	FRICTION BALL 5	1
31	48636	PIPE,CYLINDER HEAD	1
32	35109	CLIP 7.5	2
33	38030	EXHAUST ROCKER ARM, ASSEMBLY	1
34	38031	INTAKE ROCKER ARM, ASSEMBLY	1
35	35247	WIRE CLAMP	1

3 CAMSHAFT



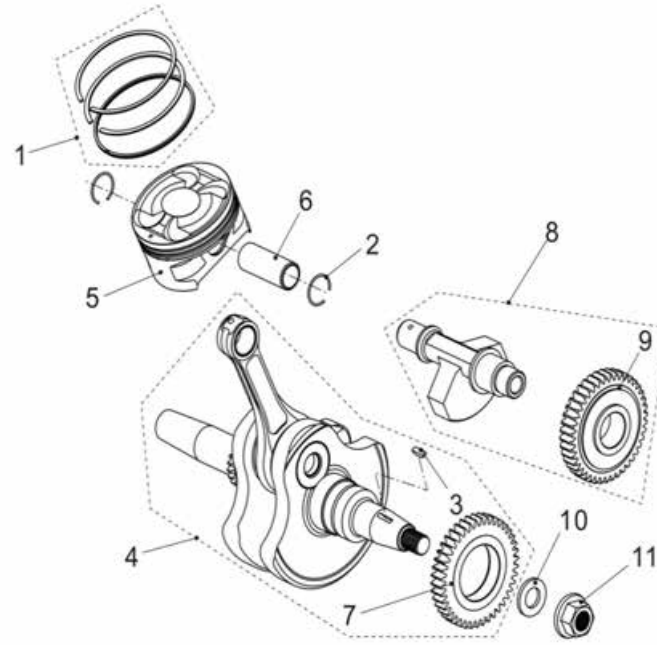
No.	PART No	DESCRIPTION	QTY
1	38032	CAMSHAFT ASSEMBLY	1
2	38033	CAMSHAFT	1
3	38034	HOLDING STRIP, CAMSHAFT	1
4	10140B	BOLT M6X12	1
5	38035	DECOMPRESSOR,STARTER	1
6	38036	TIMING CHAIN	1
7	38037	TIMING SPROCKET	1
8	38038	DOWEL PIN, TIMING SPROCKET	1
9	11586	BOLT M6X10-10.9	2
10	38039	BOLT M8X32-10.9	1

4 CYLINDER



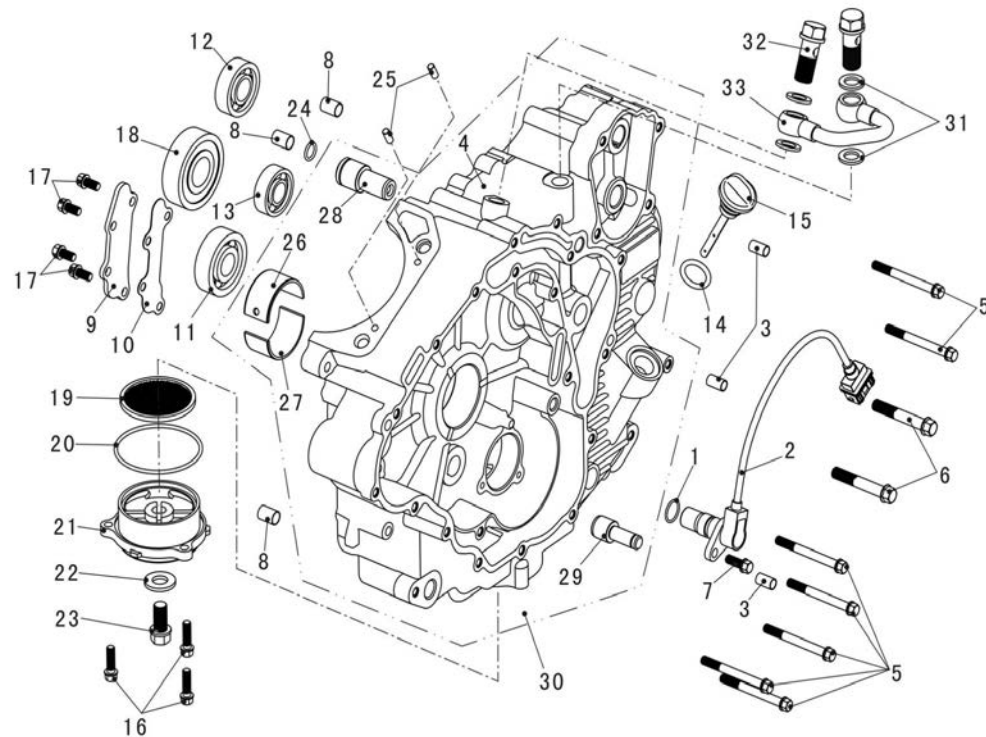
No.	PART No.	DESCRIPTION	QTY
1	38040	NEEDLE PIN P 5x11.8	2
2	38168	CYLINDER BODY (MARK 1)	1
2	38169	CYLINDER BODY (MARK 2)	1
3	38042	TENSIONER ASSY	1
4	11436	BOLT M6x25	2
5	35158	GASKET, TENSIONER	1
6	38043	PAPER WASHER CYLINDER BODY	1
7	38044	UPPER GUIDE, CHAIN	1
8	38045	TENSIONER, CHAIN	1
9	38046	PIN SHAFT	1

5 CRANKSHAFT COMP



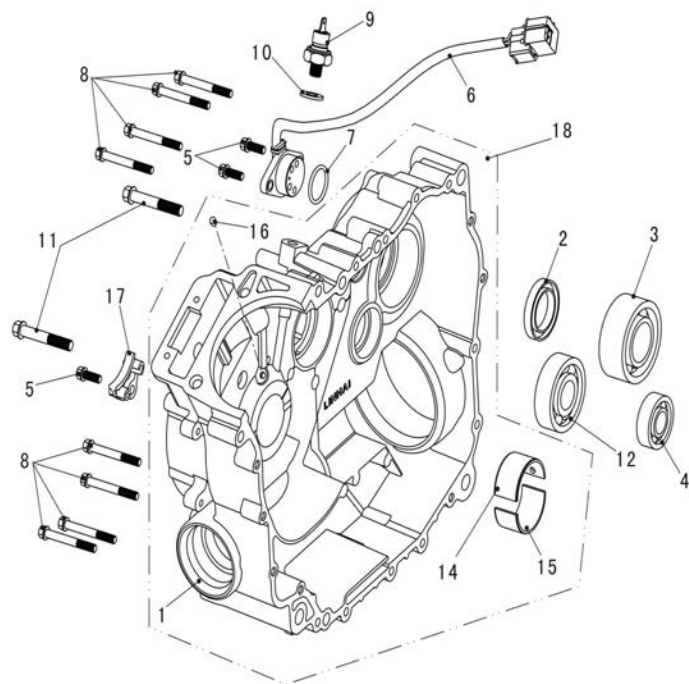
No.	PART No.	DESCRIPTION	QTY
1	38047	PISTON RING ASSY	1
2	38048	CIRCLIP, PISTON PIN	2
3	35133	WOODRUFF KEY	1
4	38049	CRANKSHAFT ASSY	1
5	38050	PISTON OPTIONAL(small)/Mark I	1
5	38051	PISTON OPTIONAL(big)/Mark II	1
6	38052	PISTON PIN	1
7	38053	DRIVE GEAR, BALANCER SHAFT	1
8	38054	SHAFT, BALANCER	1
9	38055	GEAR, BALANCE SHAFT	1
10	71689	WASHER 16.5	1
11	71688	NUT M16X1.5	1

6 LEFT CRANKCASE



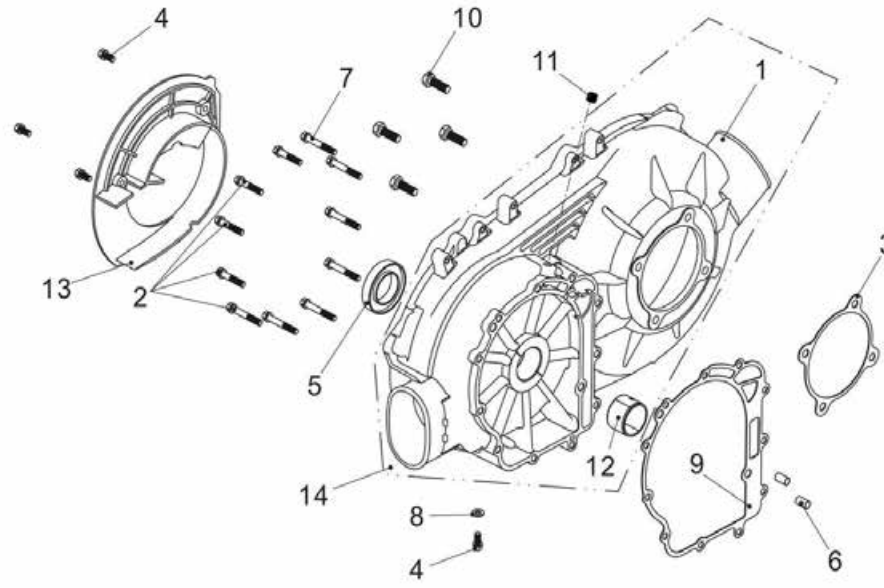
No.	PART No.	DESCRIPTION	QTY
1	35225	O-RING 14x1.44	1
2	35337	SPEED SENSOR	1
3	50076	DOWEL PIN 8x14	3
4	38056	LEFT CRANKCASE	1
5	11587	BOLT M6X60	7
6	11588	BOLT M8X50	2
7	11589	BOLT M6X16	1
8	35094	DOWEL PIN f10x14	3
9	38057	OIL COVER PLATE	1
10	38058	PAPER WASHER	1
11	10846	BEARING 6303	1
12	10851	BEARING 6203	1
13	10849	BEARING 6202	1
14	10844	O-RING 18x3.55	1
15	38059	DIPSTICK, ENGINE OIL	1
16	11590	BOLT M6x20	3
17	11591	BOLT M6x12	4
18	10848	ROLLING BEARING	1
19	38060	OIL STRAINER	1
20	38061	O-RING 63x2.5	1
21	38148	PLATE, OIL STRAINER	1
22	1309283	WASHER 12	1
23	50105	DRAIN BOLT, M12x1.5 0180-011500	1
24	10843	O-RING 10x1.8	1
25	38040	NEEDLE PIN P 5x11.8	2
26	38064	BEARING SLEEVE RED II	1
	38065	BEARING SLEEVE BLUE II	1
27	38062	BEARING SLEEVE RED I	1
	38063	BEARING SLEEVE BLUE I	1
28	38066	INTERMEDIATE GEAR, SHAFT, REVERSE	1
29	38067	SHAFT, DUAL GEAR, OIL PUMP	1
30	38068	LEFT CRANKCASE ASSY	1
31	38143	WASHER 14	4
32	38142	HINGE BOLT M14x1.5	2
33	38170	PIPE ASSY.	1

7 RIGHT CRANKCASE



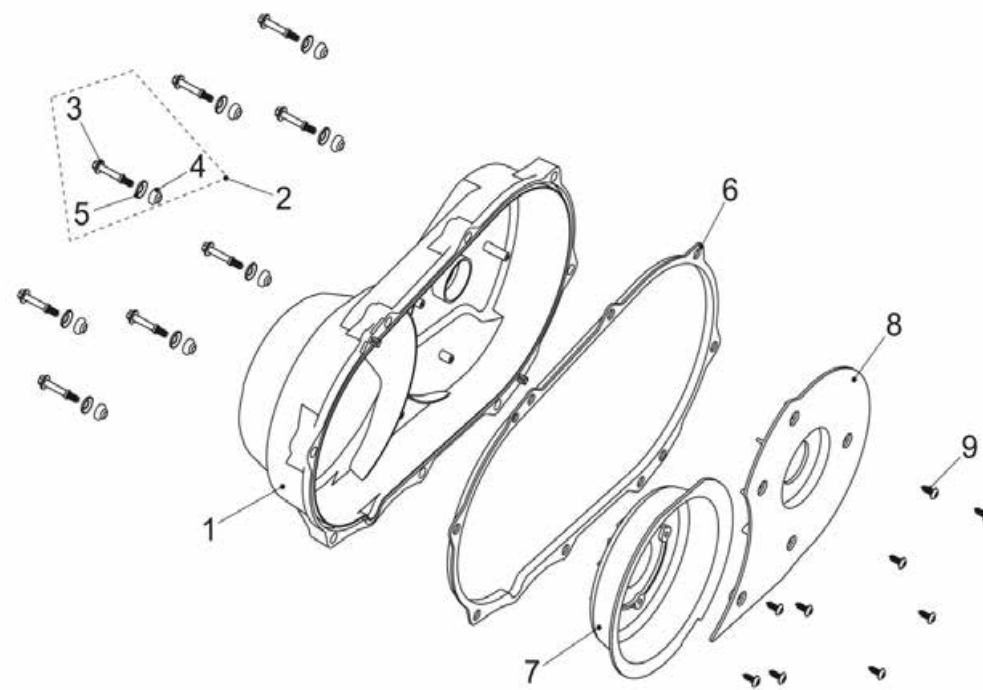
No.	PART No.	DESCRIPTION	QTY
1	38069	RIGHT CRANKCASE	1
2	35222	OIL SEAL30x45x7	1
3	10860	BEARING 5206C3	1
4	10851	BEARING 6203	1
5	11589	BOLT M6X16	3
6	38070	GEAR POSITION SENSOR	1
7	35226	O-RING 26x2.5	1
8	11593	BOLT M6X50	8
9	38071	SWITCH, OIL PRESSURE	1
10	35227	WASHER 10	1
11	11588	BOLT M8X50	2
12	10848	ROLLING BEARING	1
14	38064	BEARING SLEEVE RED II	1
	38065	BEARING SLEEVE BLUE II	1
15	38062	BEARING SLEEVE RED I	1
	38063	BEARING SLEEVE BLUE I	1
16	38072	PLUG	1
17	38073	GUIDE, CHAIN	1
18	38074	RIGHT CRANKCASE ASSY	1

8 CVT HOUSING



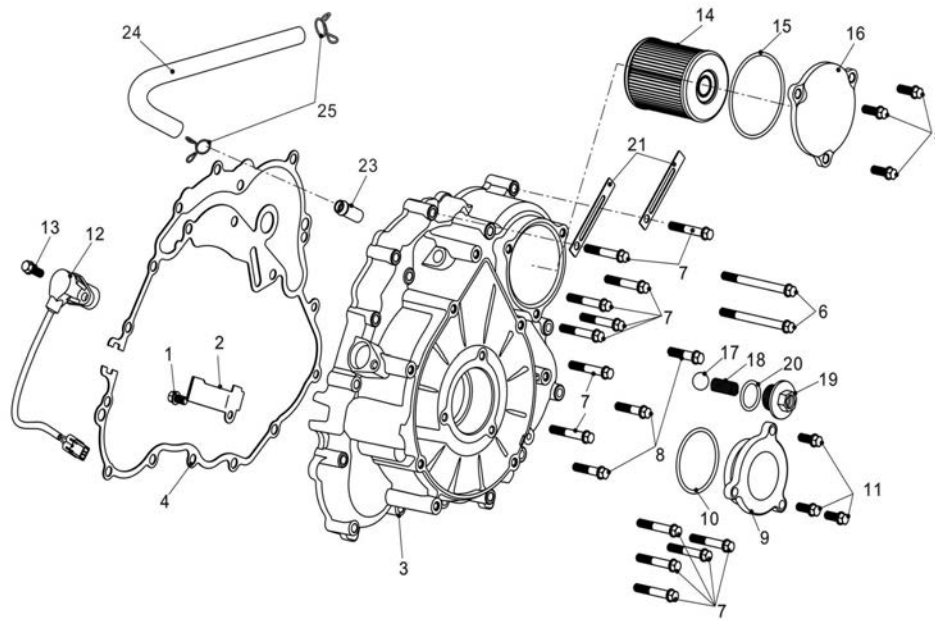
No.	PART No.	DESCRIPTION	QTY
1	38075	CVT CASE	1
2	11595	BOLT M6x30	4
3	38078	PAPER GASKET, CVT CASE 2	1
4	11596	BOLT M6x12	4
5	38077	OIL SEAL 32X55X10	1
6	50076	DOWEL PIN 8x14	2
7	11597	BOLT M6X40	7
8	35108	WASHER6	1
9	38076	PAPER GASKET, CVT CASE 1	1
10	11598	BOLT M8X25	4
11	38079	PLUG	1
12	38080	PLAIN BEARING, CVT CASE RED	2
	38081	PLAIN BEARING, CVT CASE BLUE	2
13	38082	PLATE, AIR INTAKE	1
14	38083	CVT CASE ASSY	1

9 CVT COVER



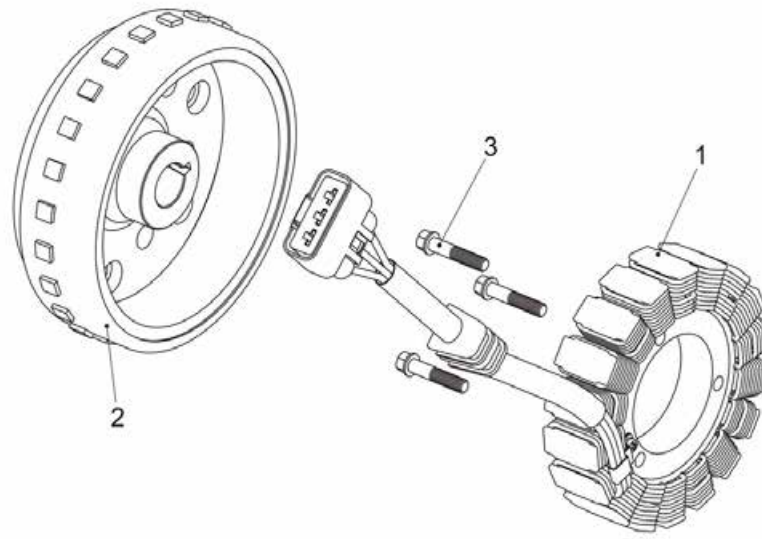
No.	PART No.	DESCRIPTION	QTY
1	38084	CVT COVER	1
2	38008	BOLT COMP. CYLINDER HEAD COVER	8
3	38007	BOLT, CYLINDER HEAD COVER	8
4	38005	RUBBER WASHER	8
5	38006	CAP, RUBBER WASHER	8
6	38146	SEAL RING ,CVT COVER	1
7	38085	FRONT HEAT INSULATION COVER	1
8	38086	REAR HEAT INSULATION COVER	1
9	11599	SELF-TAPPING SCREW	9

10 LEFT CRANKCASE COVER



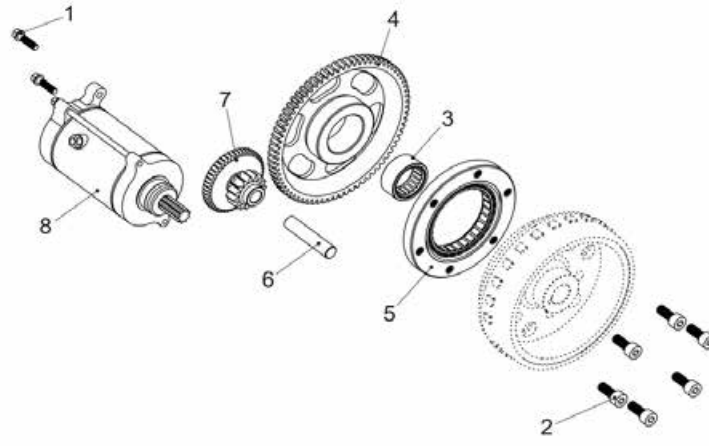
No.	PART No.	DESCRIPTION	QTY
1	11600	BOLT M6X10	1
2	38087	PLATE	1
3	38088	COVER, LEFT CRANKCASE	1
4	38089	GASKET, LEFT CRANKCASE COVER	1
5	11591	BOLT M6X18	3
6	11602	BOLT M6X75	2
7	11603	BOLT M6X40	13
8	11604	BOLT M6X30	3
9	35537	END CAP	1
10	10039	O-RING46.5x2.65	1
11	11596	BOLT M6X14	3
12	38090	RPM SENSOR	1
13	11589	BOLT M6X16	1
14	38091	FILTER, ENGINE OIL BB	1
15	38061	O-RING 63x2.5	1
16	38147	CAP, OIL FILTER	1
17	11607	STEEL BALL	1
18	38092	SPRING,RELIEF VALVE?	1
19	38093	SCREW PLUG ,DECOMPRESSOR	1
20	38094	O-RING 19x2.5	1
21	35247	WIRE CLAMP	2
23	35219	JOINT, BREATHER HOSE	1
24	35220a	BREATHER HOSE	1
25	10845	CLAMP A12	2

11 GENERATOR



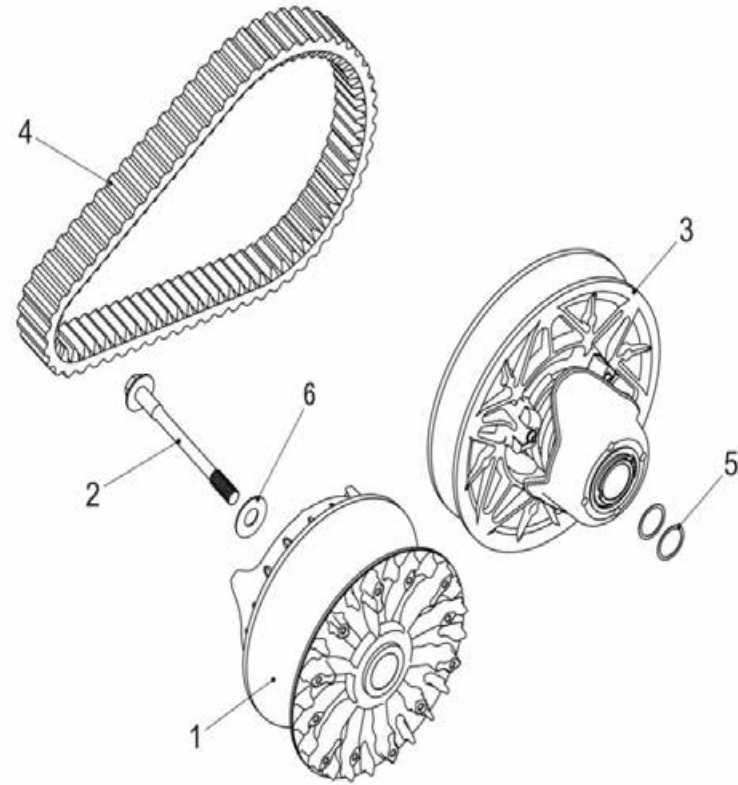
No.	PART No.	DESCRIPTION	QTY
1	38096	STATOR ASSY	1
2	38097	ROTOR ASSY	1
3	11437	BOLT M6×30	3

12 ELECTRIC STARTER



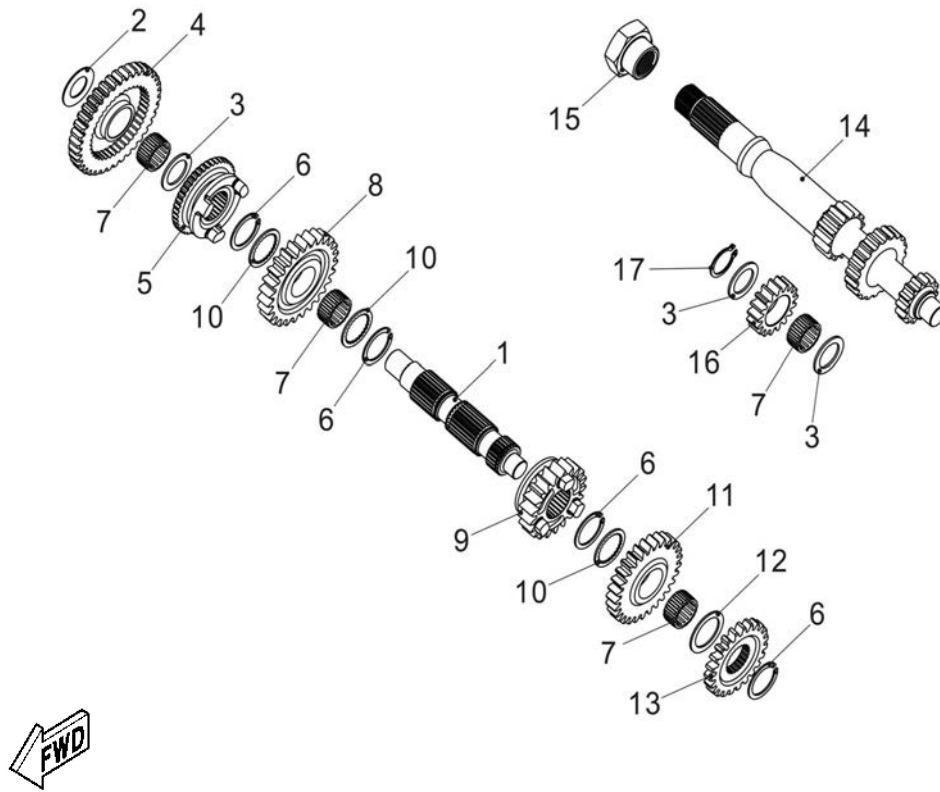
No.	PART No.	DESCRIPTION	QTY
1	10278	BOLT M6x22	2
2	10830	SCREW M8x20	6
3	10859	NEEDLE BEARING	1
4	35260	DRIVEN GEAR	1
5	35265	OVERRIDING CLUTCH	1
6	35261	AXLE, DUAL GEAR	1
7	38098	STARTER DUAL GEAR	1
8	38099	STARTING MOTOR	1

13 CLUTCH



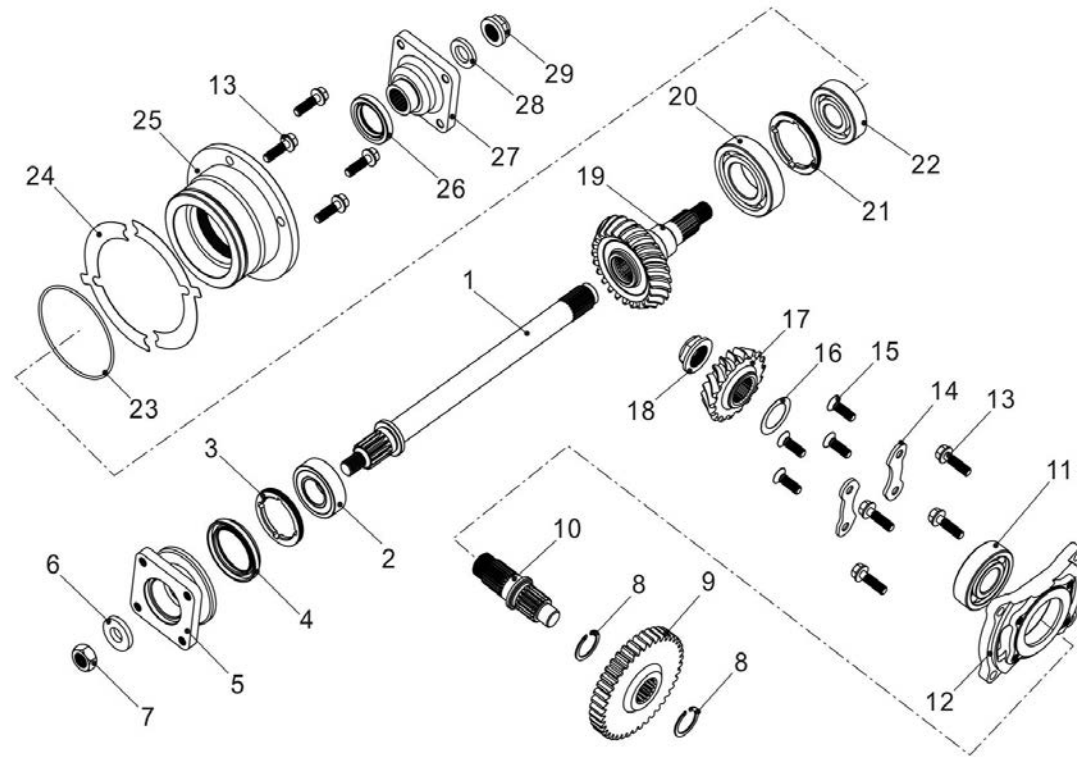
No.	PART No.	DESCRIPTION	QTY
1	48637	DRIVE PULLEY	1
2	38101	BOLT, DRIVE PULLEY	1
3	38102	PULLEY, DRIVEN	1
4	38103	CVT BELT BANDO (MITSUBOSHI 35.9X939)(ONLY USED FOR FRANCE)	1
4	38103a	CVT BELT BANDO (GATES POWERLINK 912X35)(USED EXCEPT FOR FRANCE)	1
5	38104	ADJUSTING WASHER	1
6	38105	DRIVE PULLEY WASHER	1

14 TRANSMISSION



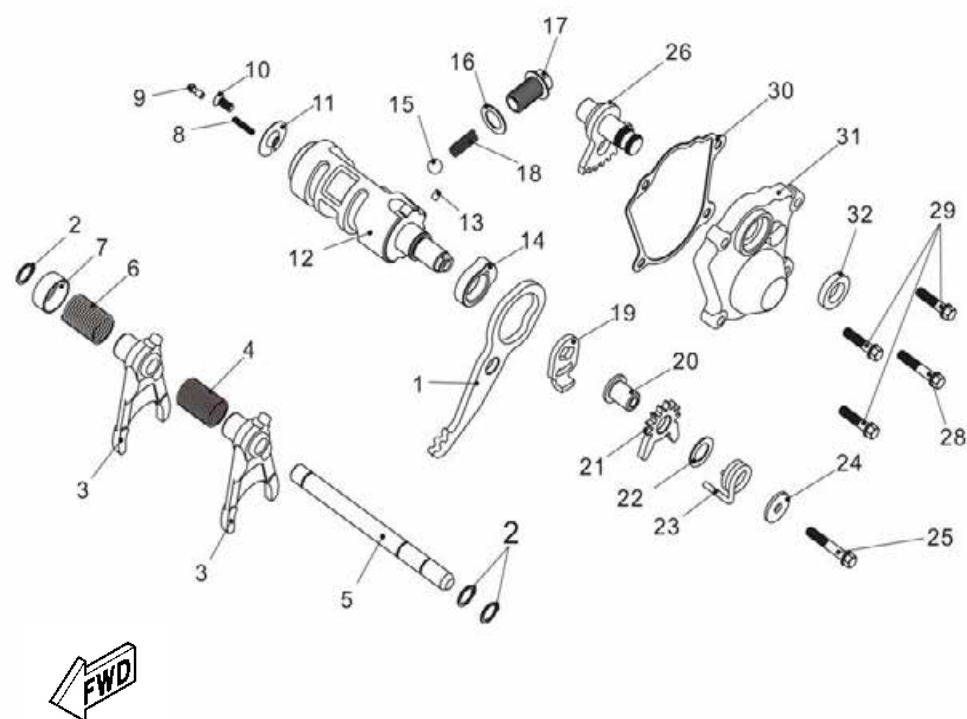
No.	PART No.	DESCRIPTION	QTY
1	38106	SECONDARY SHAFT	1
2	38107	WASHER 17.5x32x1	1
3	35312	WASHER 20.5x30x1.5	3
4	38108	DRIVEN GEAR, LOW RANGE	1
5	38109	SLIDE GEAR	1
6	35311	RETAINER 25	4
7	38110	BEARING 20x25x12	4
8	38111	GEAR,HIGH RANGE	1
9	38112	DRIVING GEAR, COUNTER	1
10	38113	WASHER	3
11	38114	GEAR,REVERSE	1
12	38115	WASHER 25X34X1.3	1
13	38116	GEAR, PARKING	1
14	38117	MAIN SHAFT	1
15	38118	NUT, MAIN SHAFT	1
16	38119	INTERMEDIATE GEAR SHAFT,REVERSE	1
17	24407	RETAINER	1

15 TRANSMISSION (2)



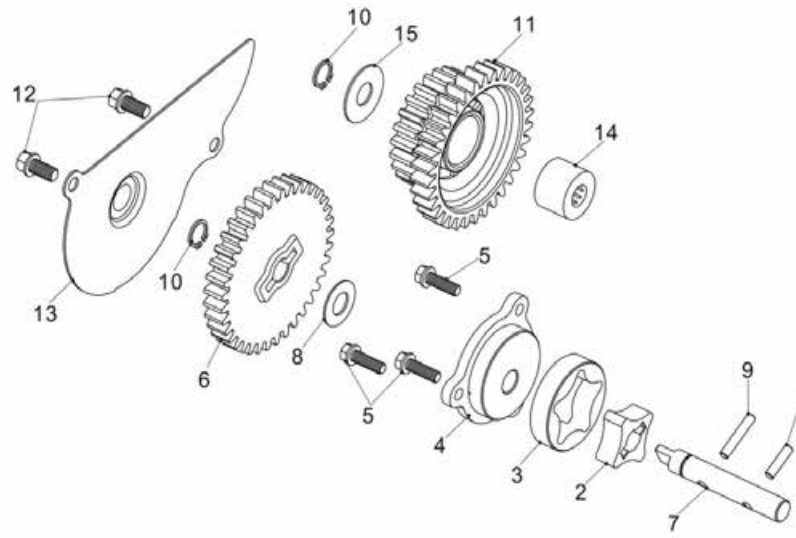
No.	PART No.	DESCRIPTION	QTY
1	35288	FRONT OUTPUT SHAFT	1
2	10267N	BEARING 6205	1
3	35291	BEARING RETAINER, FRONT OUTPUT SHAFT	1
4	35289	OIL SEAL 44×60×6.7/10	1
5	48430	COUPLER, FRONT TRANSMISSION OUTPUT	1
6	35292	WASHER,FRONT TRANSMISSION OUTPUT SHAFT NUT	1
7	10837	NUT M14×1.5-10	1
8	35311	CIRCLIP 25	2
9	35271	OUTPUT DRIVEN GEAR	1
10	35276	DRIVE BEVEL GEAR SHAFT	1
11	10855	BEARING 6305C3	1
12	35274	BEARING SEAT,DRIVE BEVEL GEAR	1
13	35286	BOLT M8×28	4
14	35287	BEARING LIMIT	2
15	11517	SCREW M8×25	4
16	35277	ADJUST WASHER, DRIVE BEVEL GEAR	1
17	35272	DRIVE BEVEL GEAR	1
18	35275	LOCKNUT, BEVEL GEAR	1
19	35273	DRIVEN BEVEL GEAR	1
20	10856	BEARING 6207/P63	1
21	35282	BEARING LIMIT NUT	1
22	10848	BEARING 63/22	1
23	35279	O-RING 88×2.4	1
24	35280	ADJUST WASHER, DRIVEN BEVEL GEAR	2
25	35278	BEARING SEAT, DRIVEN BEVEL GEAR	1
26	35281	OIL SEAL 30×46×7	1
27	35283	COUPLER, REAR TRANSMISSION OUTPUT	1
28	35284	WASHER, REAR OUTPUT SHAFT NUT	1
29	35285	NUT, REAR OUTPUT SHAFT	1

16 TRANSMISSION (3)



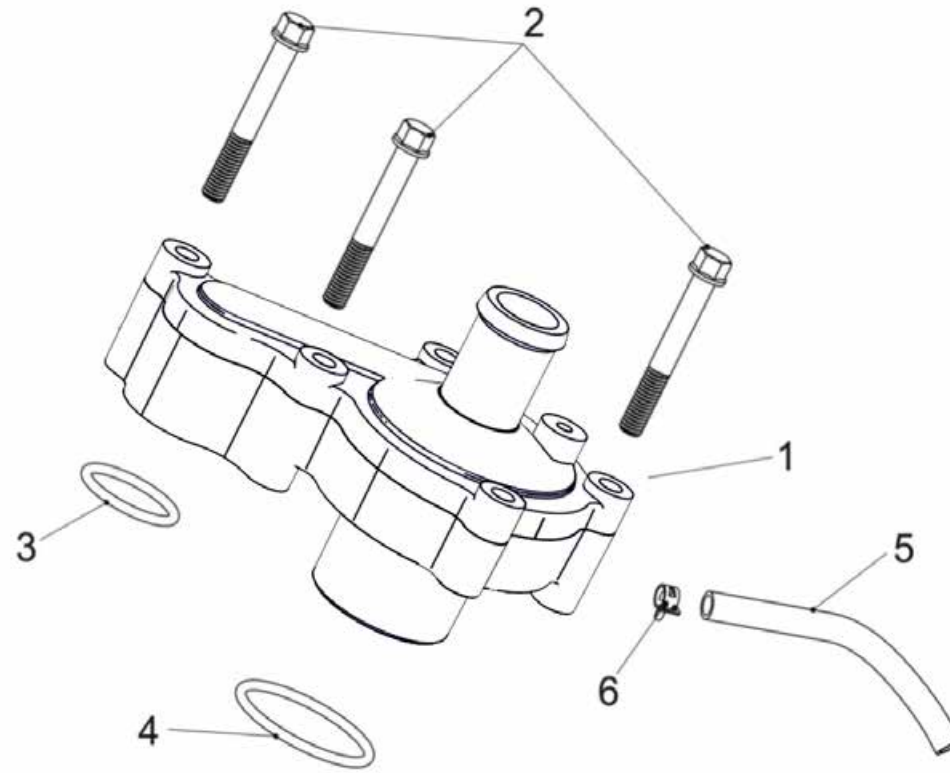
No.	PART No.	DESCRIPTION	QTY
1	38120	ROCKER ARM, PARKING	1
2	10129	CIRCLIP 12	3
3	38121	SHIFT FORK	1
4	35327	SPRING 1, SHIFT FORK	1
5	35333	GUIDE BAR	1
6	35328	SPRING 2, SHIFT FORK	1
7	35326	SPRING SEAT	2
8	35322	SPRING, GEAR CONTACTOR	1
9	35321	GEAR CONTACTOR	1
10	10135	SCREW M5×12	1
11	35323	LIMIT WASHER	1
12	38122	SHIFT CAM	1
13	38123	NEEDLE PIN	1
14	38124	CAM, PARKING	1
15	10842	FRICTION BALL 3/8	1
16	35324	WASHER 14×22×1	1
17	35325	HOLE BOLT M14×1.5	1
18	35332	LIMIT SPRING	1
19	35303	WASHER, DRIVEN SECTOR GEAR	1
20	35302	SHAFT, DRIVEN SECTOR GEAR	1
21	35301	DRIVEN SECTOR GEAR	1
22	35304	WASHER 13.5×22×1	1
23	35305	TORSION SPRING, DRIVEN SECTOR GEAR	1
24	35306	WASHER 6.6×20×2	1
25	11438	BOLT M6×35	1
26	35300	WELD PART, DRIVE SECTOR GEAR	1
28	10329	BOLT M6×32	1
29	10187	BOLT M6×25	3
30	35241	GASKET, SECTOR GEAR HOUSING	1
31	35240	COVER, SECTOR GEAR HOUSING	1
32	35242	OIL SEAL 15×25×5	1

17 OIL PUMP



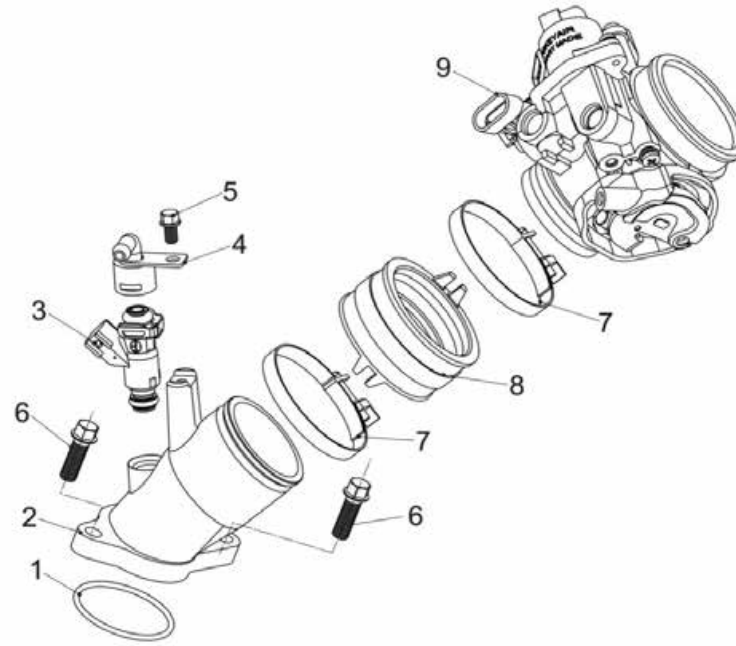
No.	PART No.	DESCRIPTION	QTY
1	11608	NEEDLE PIN P 4x15.8	1
2	38125	INNER ROTOR,OIL PUMP	1
3	38126	OUTER ROTOR,OIL PUMP	1
4	38127	COVER, OIL PUMP	1
5	11609	BOLT M5x16	3
6	38128	SOLID GEAR ,OIL PUMP	1
7	38129	SHAFT, OIL PUMP	1
8	38130	WASHER 10.5x20x1	1
9	11610	NEEDLE PIN P 4x21.8	1
10	11611	CIRCLIP 10	2
11	38131	DUAL GEAR,OIL PUMP	1
12	11596	BOLT	2
13	38132	OIL GUARD	1
14	38133	NEEDLE BEAR HK10x22x16	1
15	38134	WASHER 10.5x26x1	1

18 WATER PUMP



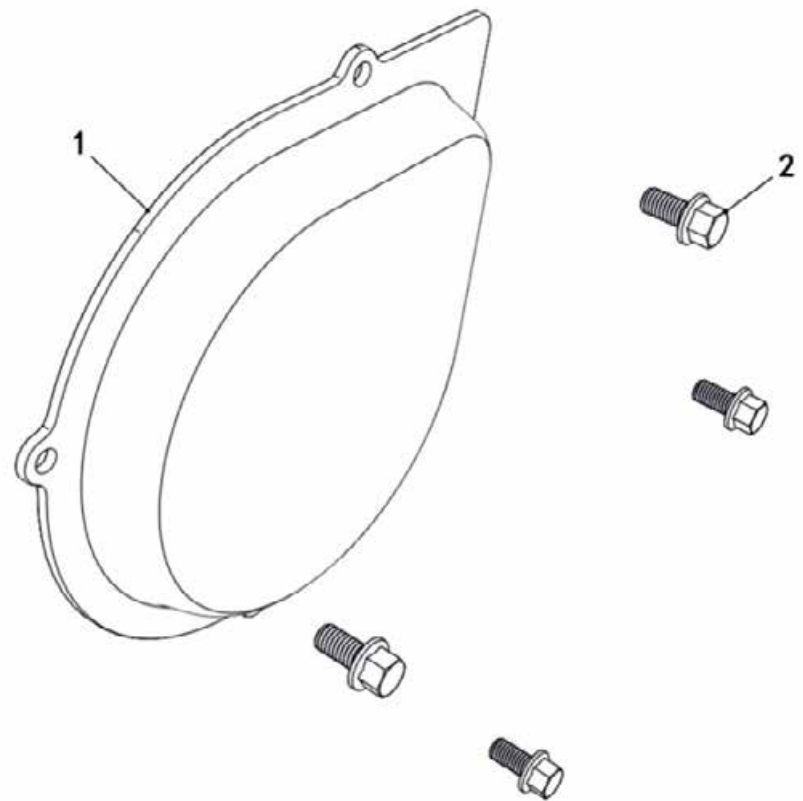
No.	PART No.	DESCRIPTION	QTY
1	48638	WATER PUMP ASSY	1
2	11583	BOLT M6x45	3
3	38136	O-RING22.5x2.5	1
4	35174	O-RING34x2.5	1
5	38137	OVERFLOW TUBE	1
6	11614	CLIP6.5	1

19 FUEL INJECTION ASSY



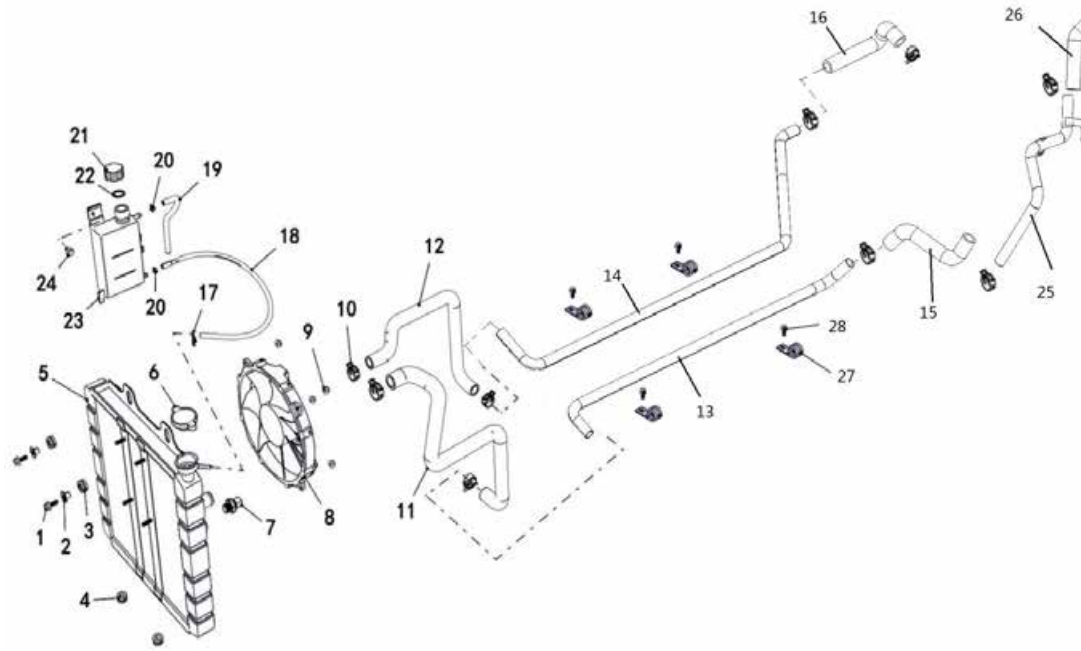
No.	PART No.	DESCRIPTION	QTY
1	38138	SEAL RING,INJECTOR SEAT	1
2	38139	INJECTOR SEAT	1
3	35745	INJECTOR	1
4	71850	INJECTOR CAP	1
5	10971	BOLT M6X10	1
6	11016	BOLT M8X25	2
7	71844	CLIP 64	2
8	71849	JOINT,FEED HOSE	1
9	36201	THROTTLE BODY ASSEMBLY	1

20 LEFT SIDE COVER



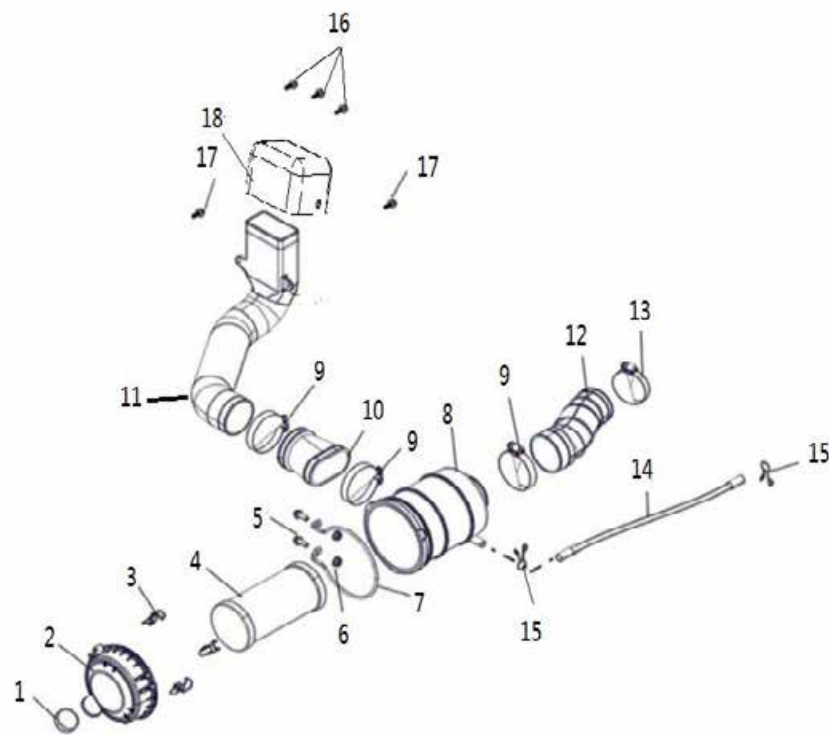
No.	PART No.	DESCRIPTION	QTY
1	35270	LEFT SIDE COVER	1
2	11435	BOLT M6×12	4

21 RADIATOR



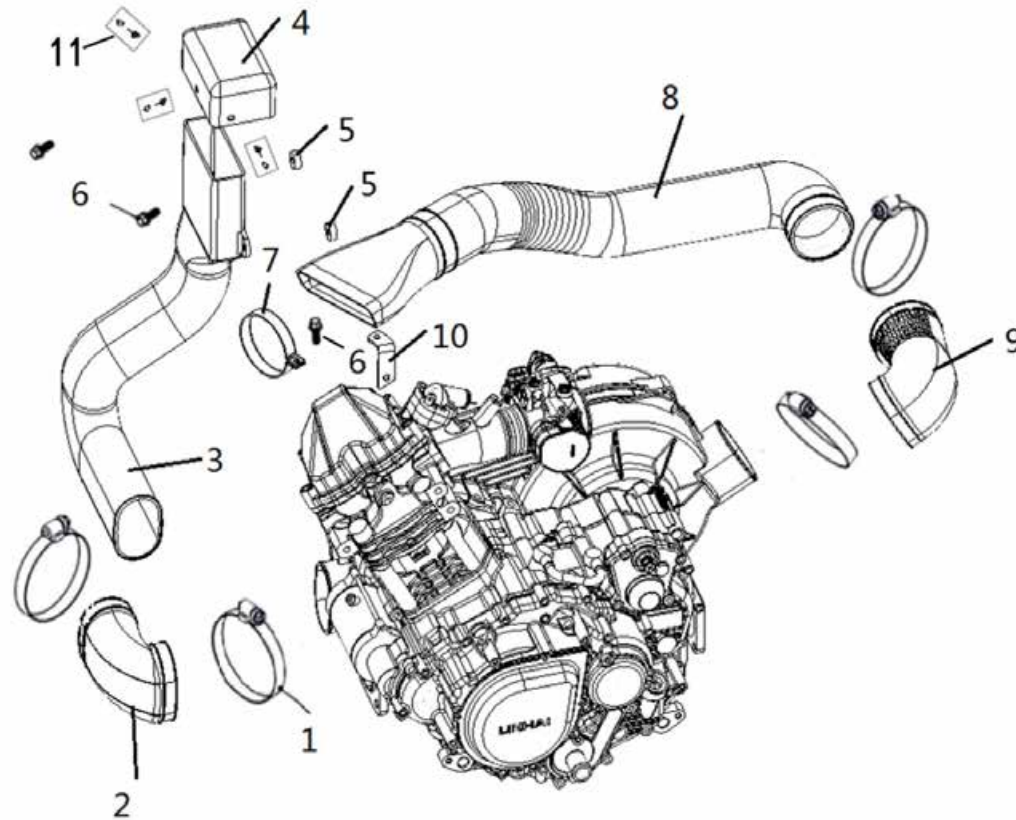
No.	PART No.	DESCRIPTION	QTY
1	10183B	BOLT M6×16	4
2	36052	COLLAR	2
3	36053	RADIATOR SIDE GROMMET,UP	2
4	36054	RADIATOR SIDE GROMMET,DOWN	2
5	48013	RADIATOR	1
6	22907a	SAFETY VALVE	1
7	48020	THERMOSTAT SWITCH ASSY	1
8	35354	BLOWER ASSY	1
9	11475	NUT M6	4
10	11203	CLIP 28	9
11	48017	HOSE,FEED	1
12	48016	HOSE,RETURN	1
13	48639	BRACKET 2	1
14	48640	BRACKET 1	1
15	48641	RETURN HOSE 2, CYLINDER	1
16	48642	FEED HOSE, VALVE	1
17	48014	CLIP 8	1
18	48066	PIPE,SAFETY VALVE	1
19	48325	PIPE,TANK RECOVERY	1
20	47763	CLIP	2
21	70338	COVER,TANK RECOVERY	1
22	70339	WASHER,TANK RECOVERY	1
23	83456	TANK RECOVERY	1
24	10140B	BOLT M6×12	1
25	48643	BRACKET 3	1
26	48644	RETURN HOSE 1, CYLINDER	1
27	48645	FIXED CLAMP ASSEMBLY	4
28	10183B	BOLT M6×16	4

23 AIR CLEANER



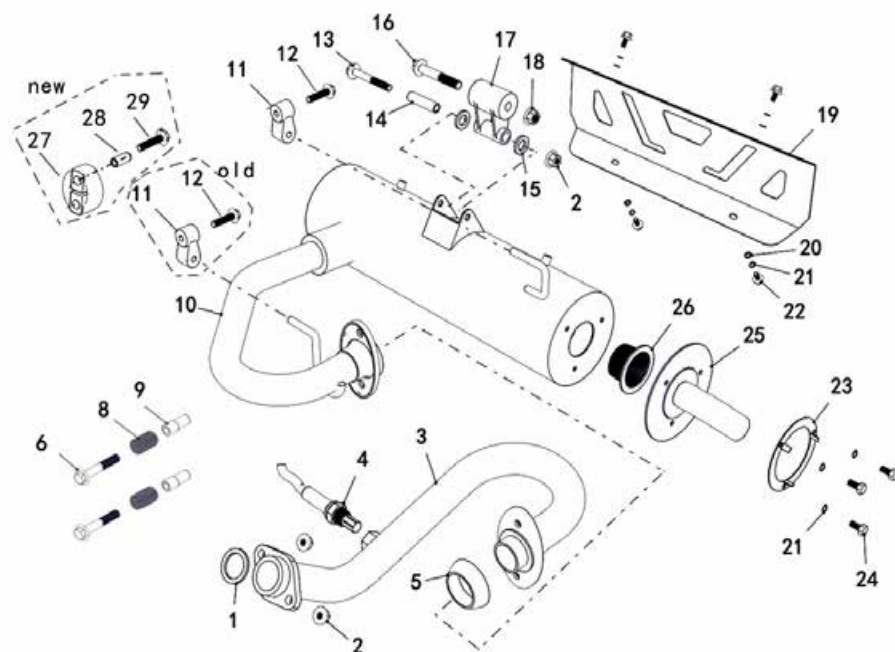
No.	PART No.	DESCRIPTION	QTY
1	73835	OIL CAP	1
2	73823	COVER, AIR CLEANER	1
3	73825	WIRE SPRING FASTENER	3
4	73824	ELEMENT COMP AIR CLEANER	1
5	11492	BOLT M8×20	2
6	11455	NUT M8	2
7	73842	AIR CLEANER MOUNTING CLAMP	1
8	73826	CASE, AIR CLEANER	1
9	35670	CLIP 80	3
10	73829	AIR CLEANER INTAKE PIPE	1
11	73834	AIR CLEANER INLET CONNECTION PIPE	1
12	48646	AIR CLEANER CONNECTING PIPE	1
13	35747	CLIP 52/76	1
14	47756	PIPE BREATHER1	1
15	73752	HOOP 2	2
16	48252	PLASTIC SCREW	3
17	10183B	BOLT M6×16	2
18	48647	INTAKE HOSE COVER	1

24a CVT AIR CLEANER



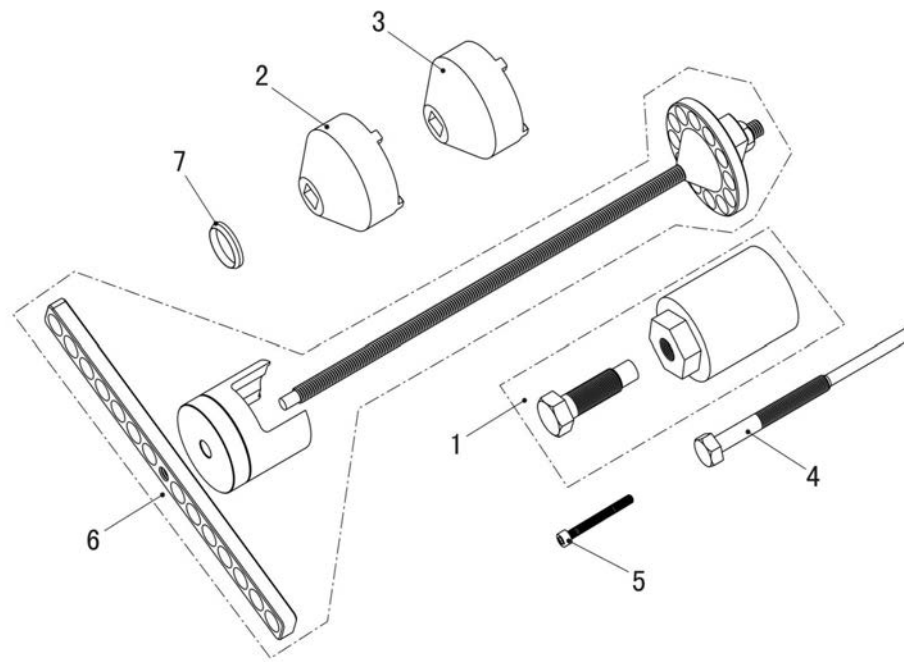
No.	PART No.	DESCRIPTION	QTY
1	35670	CLAMP 80	4
2	48648	RUBBER JOINT AIR SHROUD 1, CVT	1
3	48649	AIR SHROUD 1, CVT	1
4	48650	INTAKE HOSE COVER	1
5	24217	THE RIGHT WASHER	2
6	10187B	BOLT M6×25	3
7	48011	CLAMP AIR SHROUD 2, CVT	1
8	48651	AIR SHROUD 2, CVT	1
9	26339	RUBBER JOINT AIR SHROUD 2, CVT	1
10	48652	BRACKET	1
11	48252	PLASTIC SCREW	3

25 EXHAUST



No.	PART No.	DESCRIPTION	QTY
1	38013	GASKET,EXHAUST PIPE	1
2	11455	NUT M8	3
3	48653	PIPE,EXHAUST	1
4	70826	OXYGEN SENSOR	1
5	35370	JOUNT	1
6	11184	BOLT M10×60	2
8	47076	SPRING	2
9	46107	T SPACER	2
10	48654	MUFFLER	1
11	48040	SOFT RUBBER CONNECTION	2
12	11185	BOLT M8×35	2
13	11261	BOLT M8×68	1
14	48042	SPACER 11.7×46	1
15	48043	WIRE WASHER	2
16	10154	BOLT M10×1.25×70	1
17	48041	CONNECTION BLOCK	1
18	10795	NUT M10	1
19	48039	COVER,MUFFLER	1
20	11090	WASHER 6	4
21	11019	WASHER 6	7
22	11345	BOLT M6×16	4
23	26364	WASHER,MUFFLER	1
24	11320	BOLT M6×16	3
25	26458	TAIL PIPE	1
26	26363	FIRE PROTECTION NETWORK	1
27	73838	PIPE HANGER	1
28	73839	SEPTUM, PIPE HANGER	1
29	11465	BOLT M8×40	1

26 TOOL



No.	PART No.	DESCRIPTION	QTY
1	80129	ROTOR ASSY PULLER	1
2	80130	BEARING RETAINER, FRONT OUTPUT SHAFT, NUT WRENCH	1
3	80131	BEARING LIMIT NUT, NUT WRENCH	1
4	38144	DRIVING PULLEY PULLER	1
5	38177	CVT BELT BANDO PULLER (BOLT M6X55)	1
6	72014	DRIVEN PULLEY SPRING COMPRESSOR	1
7	72015	THE TOOL FOR ONE WAY CLUTCH OF DRIVING WHEEL	1