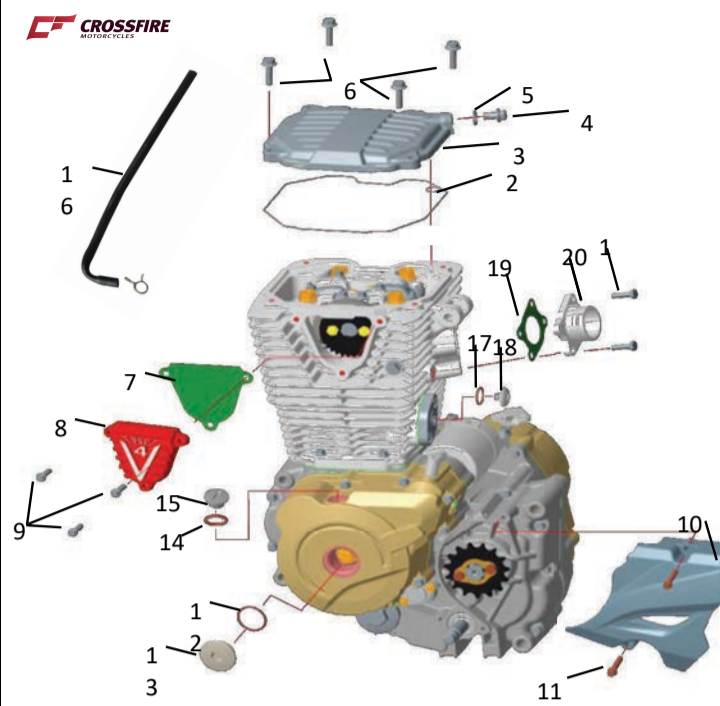
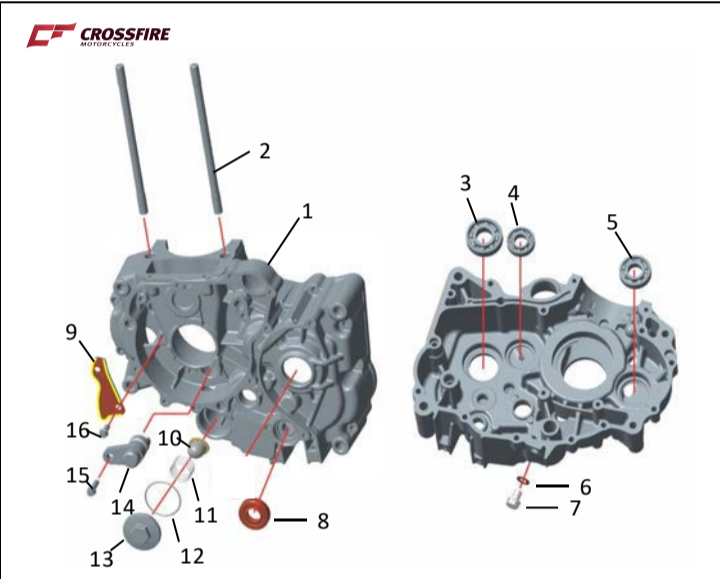


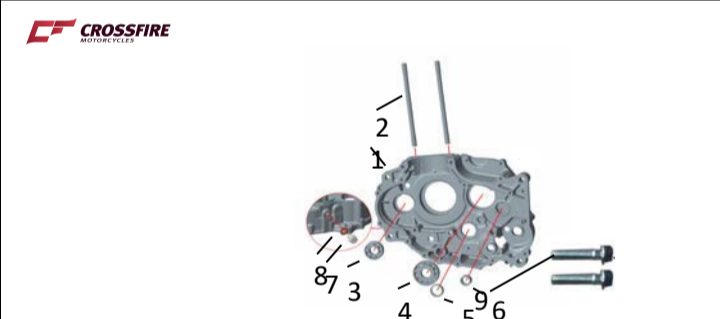
CFR300 Engine Manual



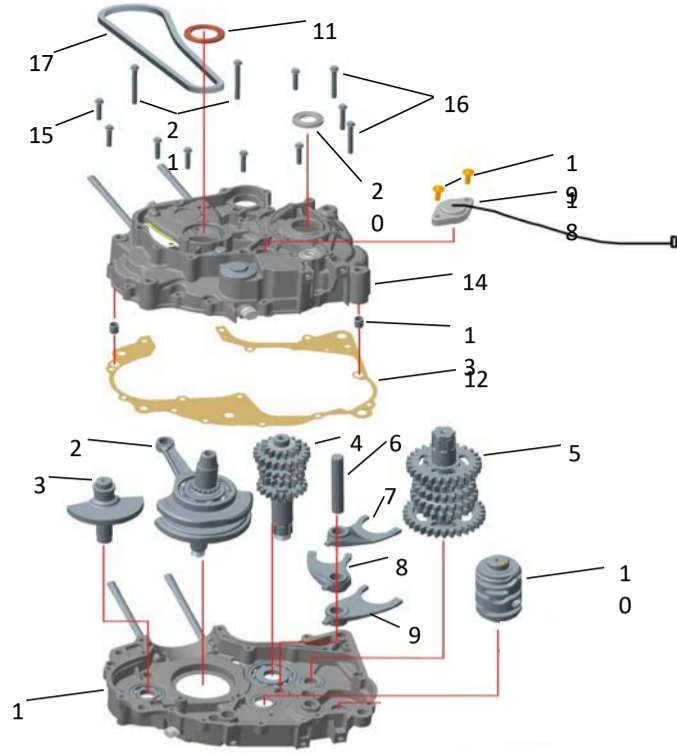
No.	DESCRIPTION	QTY
1	GB5787 M6×28 bolts	2
2	cylinder head cover Gasket	1
3	cylinder head cover	1
4	GB5787 M6×10 bolts	1
5	gasket	1
6	GB5789 M6×25 bolts	4
7	cylinder head left cover gasket	1
8	cylinder head left cover	1
9	GB5787 M6×22 bolts	3
10	left rear engine cover	1
11	GB5787 M6×30 bolts	2
12	O ring 27×2.5 NBR	1
13	cover	1
14	O ring 13.4×2.8 NBR	1
15	cover	1
16	Exhaust pipe	1
17	O ring 9.8×1.9 VI	1
18	M6×6 bolts	1
19	carbuarator connect gasket	1
20	carbuarator connect gasket	1



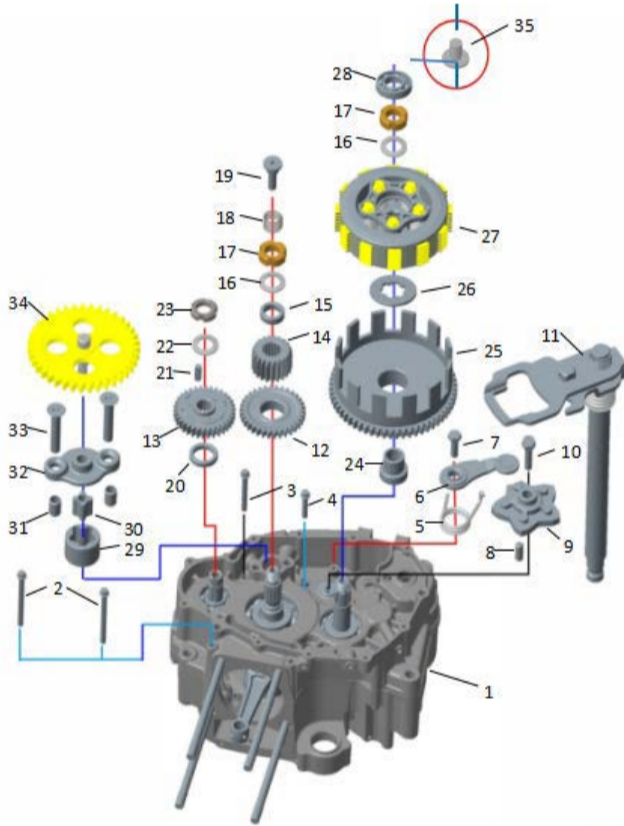
No.	DESCRIPTION	QTY
1	left crankcase	1
2	M10× 223 bolts	2
3	Ball bearing TM6204-22	1
4	Ball bearing TM6202-Z	1
5	Ball bearing 6203-TPI	1
6	oil drainage gasket	1
7	oil drainage M12×15 bolts	1
8	oil seal 14×28×7 VI	1
9	cover	1
10	Oil screen	1
11	Oil screen spring	1
12	O ring 35×3 VI	1
13	Oil screen cover	1
14	seat	1
15	GB5789 M6×25 bolts	1
16	GB5787 M6×12 bolts	1



No.	DESCRIPTION	QTY
1	right crankcase	1
2	M10× 220 bolts	2
3	Ball bearing 6203-TPI	1
4	Ball bearing 6304-TPI	1
5	needle bearing HK2110	1
6	needle bearing NK152712	1
7	M10×1.25×12 bolts	1
8	∅10.5×17×2 gasket	1
9	M10× 40 bolts	2



No.	DESCRIPTION	QTY
1	Crankcase, R, assembled	1
2	Crankshaft assy, (Rod, gear, needle bear)	1
3	balance shaft	1
4	main shaft	1
5	Counter shaft	1
6	Gear shaft	1
7	Gear fork, L	1
8	Gear fork, M	1
9	Gear fork, R	1
10	Gear drum	1
11	Seal 36×50×7 V1	1
12	Crankcase gasket	1
13	position pin 10x14	2
14	Crankcase, L, assembled	1
15	GB5787 M6x40 bolt	8
16	GB5787 M6x65 bolt	2
17	Sproket Chain	1
18	gear show line	1
19	GB9074.3 M4×19 bolts	2
20	Seal 22×34×7 V1	1
21	GB5787 M6×82 bolt	2



No.	DESCRIPTION	QTY
1	Crankcase	1
2	GB5787 M6×65 bolts	2
3	GB5787 M6×50 bolts	1
4	GB5787 M6×30 bolts	1
5	5 gear stopper spring	1
6	5 gear stopper	1
7	GB5783 M6×20 bolts	1
8	Roll Pin 4×10	1
9	Variable speed CAM	1
10	GB5783 M6×25 bolts	1
11	Variable gear shaft	1
12	Balance shaft driving teeth	1
13	Balance shaft driven teeth	1
14	driving teeth	1
15	Crank shaft washer	1
16	Oil filter rotor retaining ring	2
17	Filter rotor nut	2
18	crankshaft nozzle spring	1
19	crankshaft nozzle	1
20	Balance shaft driven tooth washer	1
21	four key	1
22	Oil filter rotor retaining ring	1
23	M16×28×7 nut	1
24	Clutch center sleeve	1
26	Clutch spline washer	1
25	Clutch outer hub	1
27	clutch	1
28	Ball bearing 16003	1
29	OUTER ROTOR, OIL PUMP	1
30	INNER ROTOR, OIL PUMP	1
31	position pin 8x12	2
32	OIL PUMP COVER	1
33	GB819 M6×30 bolts	2
34	oil pump sprocket	1

No.	DESCRIPTION	QTY
1	engine cover	1
2	Clutch tie rod	1
3	Seal 12×22×5 NBR	1
4	OPEN PIN	1
5	Clutch tie rod spring	1
6	Starting rod plug	1
7	OIL LEVEL SIGHT WINDOW	1
8	oil plug	1
9	Start shaft plug gasket	1
10	GB5787 M6×25 bolts	3
11	GB5787 M6×30 bolts	3
12	filter element cover gasket	
13	O ring 55×3 VI	1
14	filter element cover gasket	1
15	filter element	1
16	position pin 8x14	3
17	filter pressure spring	1
18	M10×1.25×12 bolts	1
19	∅10.5×17×2 gasket	1
20	Oil filter seal ring	1
21	cover	1

No.	DESCRIPTION	QTY
1	engine cover	1
2	Exhaust nozzle	1
3	cover plate	1
4	GB5787 M6×14 bolts	3
5	STATOR	1
6	GB5783 M5×28 bolts	3
7	GB5783 M5×15 bolts	2
8	Line plug	1
9	Left cover wire clamp plate	1

No.	DESCRIPTION	QTY
1	cylinder	1
2	tensioner gasket	1
3	tensioner	1
4	GB5787 M6×22 bolts	2

No.	DESCRIPTION	QTY
1	Piston	1
2	Piston Ring	1
3	Check Ring Piston Pin	2
4	Pin,Piston	1
5	position pin 12x20	4
6	cylinder Gasket	1
7	cylinder	1
8	GB5787 M6×25 bolts	2
9	Article guide	1
10	cylinder head Gasket	1

No.	DESCRIPTION	QTY
1	cylinder head	1
2	Cam Shaft Comp	1
3	Rocker Shaft	2
4	Rocker Arm	2
5	Rocker arm waveform wasps	2
6	GB5787 M6×20 bolts	2
7	Tighten shaft washers	1
8	Tightening strip fixed screw	1
9	Article up tight	1
10	Spark Plug	1
11	Camshaft baffle	1
12	GB5787 M6×12 bolts	2
13	M8×38 bolts	2
14	Exhaust Valve	2
15	Intake Valve	2
16	Outer Valve SpRing,Retainer	4
17	Seal Valve Stem	4
18	Inner SpRing,Assy	4
19	SpRing,Seat	4
20	Valve Locker	8