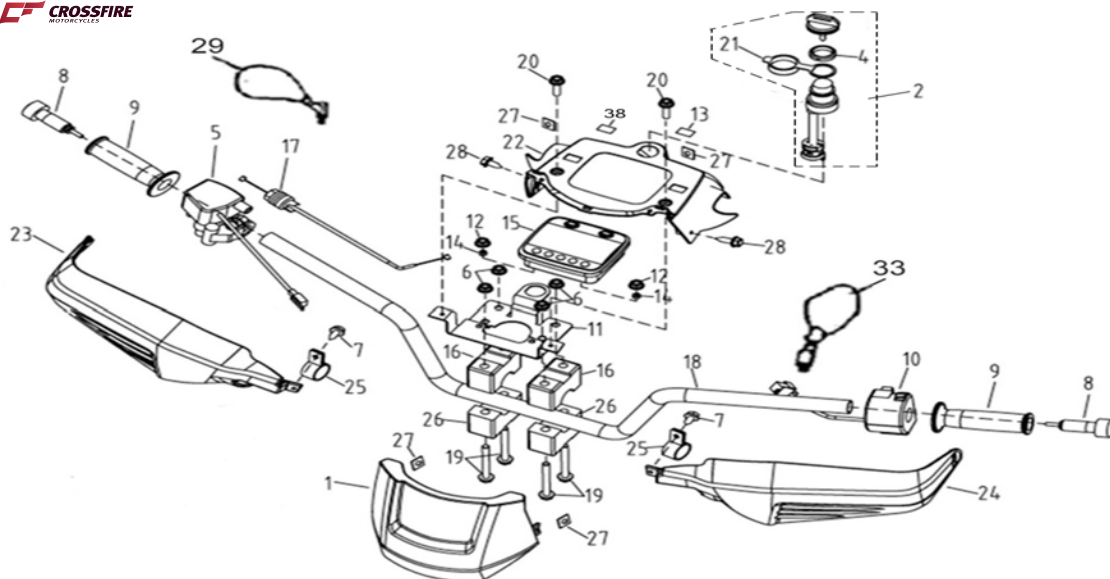


X300 Parts Manual

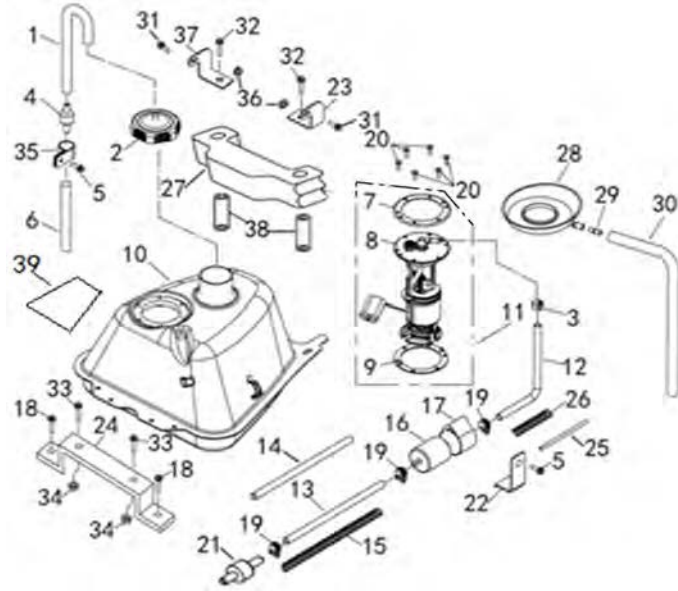
1 HANDLEBAR (T3 EFI)



No.	PART No.	DESCRIPTION	QTY
1	27415	FRONT SPEEDOMETER COVER	1
2	27601	IGNITION SWITCH WITH KEY (USED FOR WATERPROOF)	1
4	25004	THREADED NUT	1
5	27811	THROTTLE CONTROL (WITH 2WD/4WD SWITCH)(WITHIN DIFF-LOCK)	1
6	11455	NUT M8	4
7	11053	SCREW ST4.8X12	2
8	72037	NEW GUARD,HANDLEBAR END ASSY. (MATCH WITH NEW HANDLEBAR)	2
9	35727	GRIP	2
10	27602	SWITCH ASSY	1
11	25008	SPEEDOMETER BRACKET	1
12	11454	NUT M6	2
13	25298	BRAKE FLUID INDICATOR	1
14	70447	RUBBER WASHER	2
15	25702	LCD SPEEDOMETER	1
16	20112a	HANDLEBAR CLAMP	2
17	27551	THROTTLE CABLE	1
18	27385E	HANDLEBAR	1
19	10531	BOLT M8X80	4
20	10201	SCREW M5X16	2
21	27257	IGNITION SWITCH COVER	1
22	27416	REAR SPEEDOMETER COVER	1
23	27417	HANDLEBAR COVER RIGHT	1
24	27418	HANDLEBAR COVER LEFT	1
25	27419	HANDLE COVER INSTALLATION BELT	2
26	20112a	HANDLEBAR CLAMP	2
27	22346	NUT ST4.8	4
28	10520	SCREW ST4.8X12	4
29	36149	REAR VIEW MIRROR RIGHT	1
33	36148	REAR VIEW MIRROR LEFT	1
38	29838	THE LABEL OF IGNITION SWITCH	1

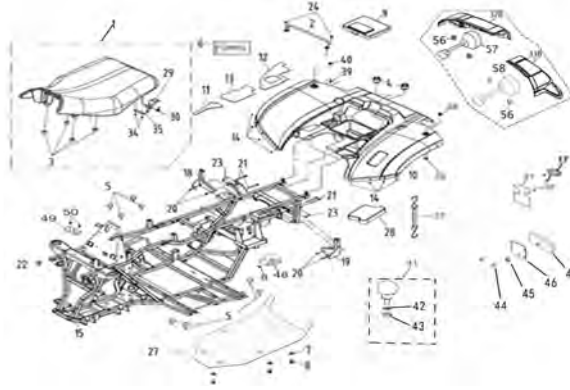
1 FUEL TANK (T3 EFI)

CF CROSSFIRE
MOTORCYCLES



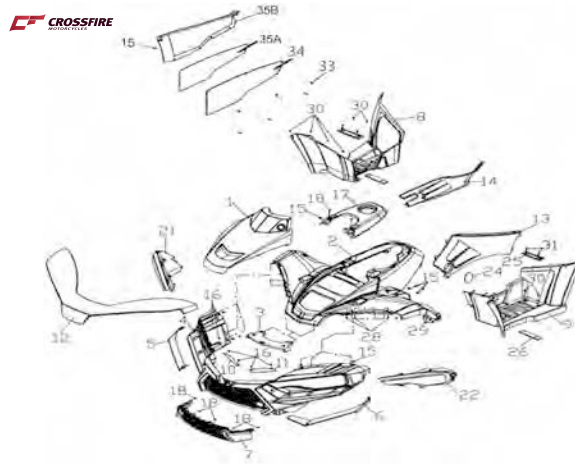
No.	PART No.	DESCRIPTION	QTY
1	35501	BREATHER PIPE (φ5Xφ9X450)	1
2	70725	FUEL CAP	1
3	84428	SINGLE EAR CLAMP (φ4.5)	1
4	25037	DUMPING VALVE	1
5	11219	BOLT M6X12	2
6	70734	TUBE (φ4.5xφ8x700mm)	1
7	72251	PLATE	1
8*	27845	PUMP BODY	1
9	36440	RUBBER WASHER	1
10	27832	FUEL TANK	1
11	25365	FUEL PUMP	1
12	27834	FUEL HOSE 1	1
13	71418	FUEL HOSE 2	1
14	36073	FUEL LINE ADIABATIC PELLICLE	1
15	36077	FUEL LINE SPRING	1
16	70842	FUEL FILTER	1
17	70845	FUEL FILTER INSTALLATION	1
18	11097	BOLT M6X16	1
19	71658	HOSE CLAMPS 8/14	3
20	10201	SCREW M5X16	6
21	73146	Quick Fitting Assy 7.89	1
22	36142	PLATE, FUEL FILTER	1
23	25023	BRACKET,L	1
24	27553	MOUNTING BRACKET,FUEL TANK	1
25	27834	FUEL LINE ADIABATIC PELLICLE	1
26	27836	FUEL LINE SPRING	1
27	20209	MOUNTING BRACKET	1
28	36078	The OIL SPILL	1
29	60210	JOINT	1
30	28095	TUBE,FUEL CAP BREATHER (φ7xφ10x450mm)	1
31	11097	BOLT M6X16	2
32	11362	BOLT M6X60	2
33	10168	BOLT M8X16	2
34	10079	NUT M8	2
35	25351	DUMP VALVE FIXING PLATE	1
36	11454	ONUT M6	2
37	25024	BRACKET,R	1
38	20210	FUEL TANK BUFFER SLEEVE	2
39	27837	FUEL TANK ADIABATIC PELLICLE	1

3 REAR FENDERS AND FRAME (T3 EFI)



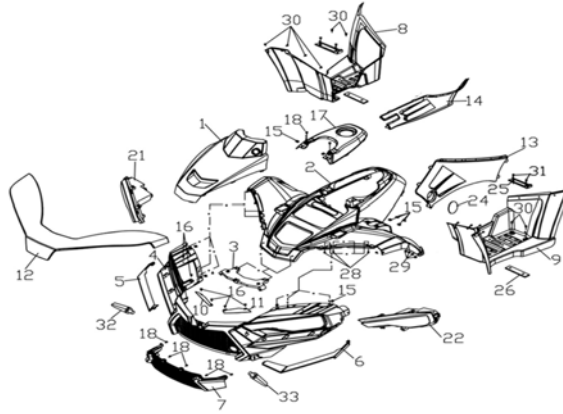
No.	PART No.	DESCRIPTION	QTY
1	35835	SEAT	1
2	35836	LATCH ASSEMBLY	1
3	25042	RUBBER , SEAT SETTING 1	6
4	70445	RUBBER , SEAT SETTING 2	2
5	20316	RUBBER PAD	8
6	25044	TOOL	1
7	20331	WASHER 6	8
8	11194	BOLT M6X18	10
9	25045a	TOOL BOX CAP	1
10	357567F	REAR FENDER (CONCEAL CAMOUFLAGE)	1
10	357565B	REAR FENDER (GREEN)	1
10	357563J	REAR FENDER (BLUE)	1
10	357562G	REAR FENDER (RED)	1
10	357564F	REAR FENDER (ORANGE)	1
10	357569B	REAR FENDER (GRAY CEMENT)	1
10	357564P	REAR FENDER (DESERT YELLOW)	1
10	357561F	REAR FENDER (BLACK)	1
10	357566F	REAR FENDER (WHITE)	1
10	357567C	REAR FENDER (VISTA CAMOUFLAGE)	1
10	357567E	REAR FENDER (REALITY CAMOUFLAGE)	1
11	25047	FOOTREST RIGHT ADIABATIC PELLICLE	1
12	25366	REAR MUD ADIABATIC PELLICLE 1	1
13	25367	REAR MUD ADIABATIC PELLICLE 2	1
14	26370	SCREW M6X16	8
15	25703	FRAME ASSY. (T3 EFI)	1
16	11099	SCREW M6X20	6
17	83459	LENS,LICENSE LIGHT	1
18	25054	TRESTLE RIGHT	1
19	25055	TRESTLE LEFT	1
20	25056	BOLT M8X70	2
21	10776	NUT 8	4
22	70287	RUBBER COVER	4
23	36445	SPACER	4
24	11031	BOLT M6X12	2
25	11221	NUT	2
26	11333	WASHER 6	16
27	25704	PLASTIC PLANT	1
28	35078	BATTERY 18 Ah COVER	1
29	70788	HOOK BRACKET , SEAT LOCK	1
30	70802	SPRING	1
31	27606	BRACKET, LENS,LICENSE LIGHT	1
32	25369	TAILLIGHT COVER , R	1
33	25371	TAILLIGHT COVER , L	1
34	11222	SCREW ST4.2X13	8
35	70803	BAFFLE,SEAT	1
36	26370	SCREW M6X16	2
37	22018	TIE (USED FOR 18 Ah)	1
38	70449	COVER BUFFER	2
39	70543	SPACER, COVER BUFFER	2
41	25294	PULL THE BALL (E13 55R-014154)	1
42	25705	WASHER	1
43	25706	NUT	1
44	11222	SCREW ST4.2X13	4
45	25707	NUT M5	2
46	35758	REAR REFLECTOR PLATE	2
47	36514	REAR REFLECTOR	2
48	35907	STARTER RELAY SHIELD	1
49	72305	ELECTRONIC DUMP SWITCH CONNECTION PLATE(FOR EFI)	1
50	10753	SCREW M4X16(FOR EFI)	2
51	25372	TAILLIGHT COVER , R	1
52	25373	TAILLIGHT COVER BUSHING,R	1
53	11222	SCREW ST4.2X13	6
54	25374	TAILLIGHT COVER BUSHING,L	1
55	25375	TAILLIGHT COVER , L	1
56	11221	NUT	2
57	25387	RIGHT REAR COMBINATION LAMP	1
58	25388	LEFT REAR COMBINATION LAMP	1

5A FRONT BODY (-PROMAX) (T3 EFI)



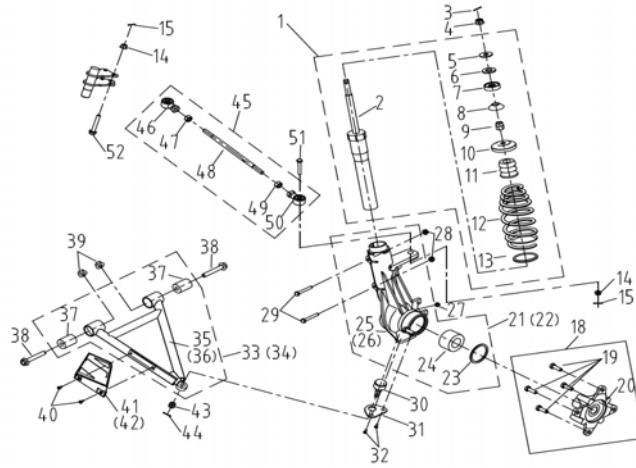
No.	PART No.	DESCRIPTION	QTY
1	25064	FRONT COVER	1
2	252817F	FRONT BODY (CONCEAL CAMOUFLAGE)	1
2	252815B	FRONT BODY (GREEN)	1
2	252813J	FRONT BODY (BLUE)	1
2	252812G	FRONT BODY (RED)	1
2	252814F	FRONT BODY (ORANGE)	1
2	252819B	FRONT BODY (GRAY CEMENT)	1
2	252814P	FRONT BODY (DESERT YELLOW)	1
2	252811F	FRONT BODY (BLACK)	1
2	252816F	FRONT BODY (WHITE)	1
2	252817P	FRONT BODY (VISTA CAMOUFLAGE)	1
2	252817E	FRONT BODY (REALITY CAMOUFLAGE)	1
3	38217	CONNECTING BRACKET	1
4	38218	PLASTIC BUMPER	1
5	382197F	RIGHT TRIM BAR (CONCEAL CAMOUFLAGE)	1
5	382195B	RIGHT TRIM BAR (GREEN)	1
5	382193J	RIGHT TRIM BAR (BLUE)	1
5	382192G	RIGHT TRIM BAR (RED)	1
5	382194F	RIGHT TRIM BAR (ORANGE)	1
5	382199B	RIGHT TRIM BAR (GRAY CEMENT)	1
5	382194P	RIGHT TRIM BAR (DESERT YELLOW)	1
5	382191F	RIGHT TRIM BAR (BLACK)	1
5	382196F	RIGHT TRIM BAR (WHITE)	1
5	382197P	RIGHT TRIM BAR (VISTA CAMOUFLAGE)	1
5	382197E	RIGHT TRIM BAR (REALITY CAMOUFLAGE)	1
6	382207F	LEFT TRIM BAR (CONCEAL CAMOUFLAGE)	1
6	382205B	LEFT TRIM BAR (GREEN)	1
6	382203J	LEFT TRIM BAR (BLUE)	1
6	382202G	LEFT TRIM BAR (RED)	1
6	382204F	LEFT TRIM BAR (ORANGE)	1
6	382209B	LEFT TRIM BAR (GRAY CEMENT)	1
6	382204P	LEFT TRIM BAR (DESERT YELLOW)	1
6	382201F	LEFT TRIM BAR (BLACK)	1
6	382206F	LEFT TRIM BAR (WHITE)	1
6	382207P	LEFT TRIM BAR (VISTA CAMOUFLAGE)	1
6	382207E	LEFT TRIM BAR (REALITY CAMOUFLAGE)	1
7	35927	UNDER VENTILATION GRID	1
8	25071	FOOTREST RIGHT	1
9	35560	FOOTREST LEFT	1
10	38222	RIGHT BAFFLE PLATE	1
11	38223	LEFT BAFFLE PLATE	1
12	38221	HEAD LAMP CASE	1
13	25077	SIDE COVER L	1
14	25076	SIDE COVER R	1
15	22346	NUT ST4.8	12
16	11222	SCREW ST4.2×13	12
17	35561	COVER,FUEL TANK TOP	1
18	11088	SCREW ST4.8×16	18
21	38224	LED LIGHT, FR	1
22	38225	LED LIGHT, FL	1
24	35843	LEFT SIDE COVER	1
25	70336	STEP (SHORT)	2
26	70300	RUBBER WASHER	2
29	11064	NUT M6	8
30	26370	SCREW M6X16	16
31	46193	SCREW M6X20	4
33	10178B	SCREW ST4.2X13	12
34	27614	ADIABATIC PELLICLE, LEG BAFFLEL-RIGHT	1
35B	27613a	LEG BAFFLE	1

5B FRONT BODY (-PROMAX) (T3 EFI) (OPTION)



No.	PART No.	DESCRIPTION	QTY
1	25064	FRONT COVER	1
2	252817F	FRONT BODY (CONCEAL CAMOUFLAGE)	1
2	252815B	FRONT BODY (GREEN)	1
2	252813J	FRONT BODY (BLUE)	1
2	252812G	FRONT BODY (RED)	1
2	252814F	FRONT BODY (ORANGE)	1
2	252819B	FRONT BODY (GRAY CEMENT)	1
2	252814P	FRONT BODY (DESERT YELLOW)	1
2	252811F	FRONT BODY (BLACK)	1
2	252816F	FRONT BODY (WHITE)	1
2	252817P	FRONT BODY (VISTA CAMOUFLAGE)	1
2	252817E	FRONT BODY (REALITY CAMOUFLAGE)	1
3	38217	CONNECTING BRACKET	1
4	38218	PLASTIC BUMPER	1
5	382197F	RIGHT TRIM BAR (CONCEAL CAMOUFLAGE)	1
5	382195B	RIGHT TRIM BAR (GREEN)	1
5	382193J	RIGHT TRIM BAR (BLUE)	1
5	382192G	RIGHT TRIM BAR (RED)	1
5	382194F	RIGHT TRIM BAR (ORANGE)	1
5	382199B	RIGHT TRIM BAR (GRAY CEMENT)	1
5	382194P	RIGHT TRIM BAR (DESERT YELLOW)	1
5	382191F	RIGHT TRIM BAR (BLACK)	1
5	382196F	RIGHT TRIM BAR (WHITE)	1
5	382197P	RIGHT TRIM BAR (VISTA CAMOUFLAGE)	1
5	382197E	RIGHT TRIM BAR (REALITY CAMOUFLAGE)	1
6	382207F	LEFT TRIM BAR (CONCEAL CAMOUFLAGE)	1
6	382205B	LEFT TRIM BAR (GREEN)	1
6	382203J	LEFT TRIM BAR (BLUE)	1
6	382202G	LEFT TRIM BAR (RED)	1
6	382204F	LEFT TRIM BAR (ORANGE)	1
6	382209B	LEFT TRIM BAR (GRAY CEMENT)	1
6	382204P	LEFT TRIM BAR (DESERT YELLOW)	1
6	382201F	LEFT TRIM BAR (BLACK)	1
6	382206F	LEFT TRIM BAR (WHITE)	1
6	382207P	LEFT TRIM BAR (VISTA CAMOUFLAGE)	1
6	382207E	LEFT TRIM BAR (REALITY CAMOUFLAGE)	1
7	35927	UNDER VENTILATION GRID	1
8	25071	FOOTREST RIGHT	1
9	35560	FOOTREST LEFT	1
10	38222	RIGHT BAFFLE PLATE	1
11	38223	LEFT BAFFLE PLATE	1
12	38221	HEAD LAMP CASE	1
13	25077	SIDE COVER L	1
14	25076	SIDE COVER R	1
15	22346	NUT ST4.8	12
16	11222	SCREW ST4.2×13	12
17	35561	COVER,FUEL TANK TOP	1
18	11088	SCREW ST4.8×16	18
21	38224	LED LIGHT, FR	1
22	38225	LED LIGHT, FL	1
24	35843	LEFT SIDE COVER	1
25	70336	STEP (SHORT)	2
26	70300	RUBBER WASHER	2
29	11064	NUT M6	8
30	26370	SCREW M6X16	16
31	46193	SCREW M6X20	4
32	38232	FRONT INDICATOR LIGHT R	1
33	38233	FRONT INDICATOR LIGHT L	1

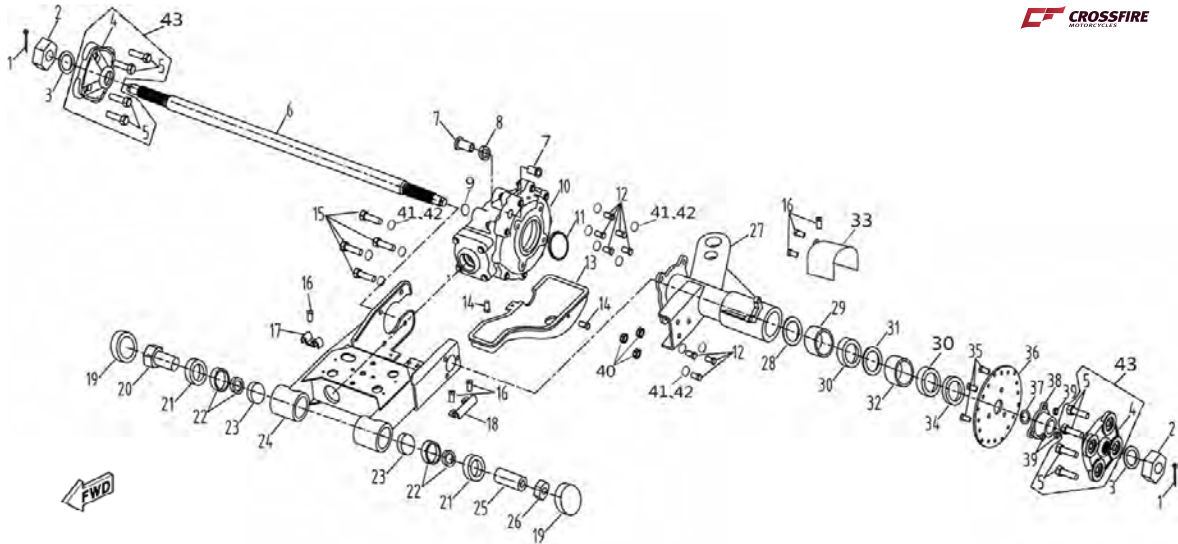
6 FRONT SHOCK ABSORBER (T3 EFI)



No.	PART No.	DESCRIPTION	QTY
1	21820	FRONT SHOCK ABSORBER ASSEMBLY	2
2	25288	STRUT BUMPER	2
3	11555	COTTER PIN 2X20	2
4	11577	NUT M14X1.5	2
5	21802	WASHR 14	2
6	21803	SPACER RUBBER	2
7	21804	UPPER PIVOT BALL	2
8	21807	LOWER PIVOT BALL	2
9	21806	NUT M14X1.5	2
10	21808	SPRING RETAINER	2
11	27191	BUFFER BLOCK	
12	21809	SPRING	2
13	21813	SPRING RETAINER	2
14	11510	NUT M10X1.25	4
15	27215	COTTER PIN 2.5X25	4
18	25710	FRONT WHEEL HUB CONNECTED	2
19*	20806	WHEEL STUD	8
19*	20806s	WHEEL STUD (FOR ALUMINIUM WHEEL)	8
20*	25711	FRONT WHEEL HUB	2
21	25712	STRUT BODY CONNECTED LEFT	1
22	25713	STRUT BODY CONNECTED RIGHT	1
23	26912	CIRCLIP	2
24	26913	BEARING	2
25	47048	STRUT BODY LEFT	1
26	47049	STRUT BODY RIGHT	1
27	27074	GREASE FITTING	2
28	11541	NUT M8	4
29	11540	BOLT M8X55	4
30	20512	BALL JOINT STUD	2
31	20513	BALL JOINT MOUNTING BRACKET	2
32	10022	BOLT M6X12	4
33	25714	A-ARM CONNECTED LEFT	1
34	25715	A-ARM CONNECTED RIGHT	1
35	25096	A-ARM LEFT	1
36	25097	A-ARM RIGHT	1
37	20524f	BUSHING	4
38	20522f	A-ARM PIVOT SHAFT	4
39	11509	NUT M12X1.25	4
40	11062	SCREW M5X12	4
41	20519	A - ARM SHIELD LEFT	1
42	20628	A - ARM SHIELD RIGHT	1
43	27067	NUT M10X1.25	2
44	27215	COTTER PIN 2.5X25	2
45	20629B	TIE ROD ASSY	2
46	20507	TIE ROD END B (RIGHT)	2
47	11198	JAM NUT(RIGHT)	2
48	20505	TIE ROD	2
49	20506	JAM NUT (LEFT)	2
50	20503	TIE ROD END A (LEFT)	2
51	10018	BOLT M10X1.25X55	2
52	27794	BOLT M10X1.25X57	2

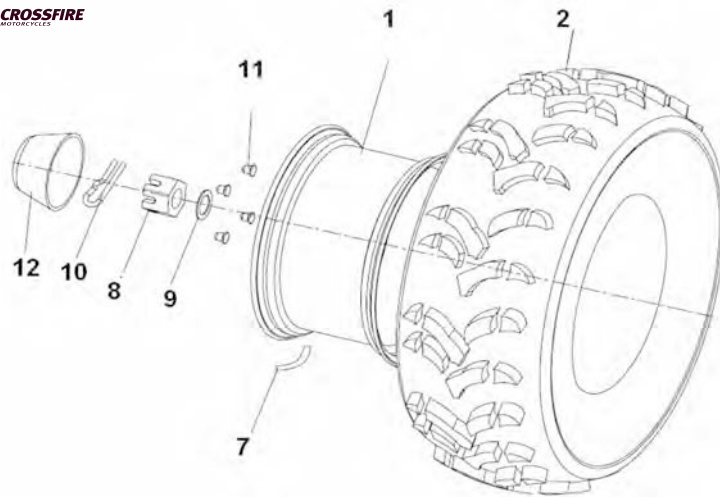
7 SWINGARM ASSY (T3 & T3 EFI)

CF CROSSFIRE
MOTORCYCLES



No.	PART No.	DESCRIPTION	QTY
1	10051	COTTER PIN	2
2	11817	NUT SLOTTED M20X2	2
3	21017	WASHER	2
4*	21018	WHEEL HUB	2
5*	25716	WHEEL STUD M12X1.25X45	8
6	25102	REAR AXLE (FOR EUROPE AND PARKING SYSTEM I)	1
7	20902	CUSHION PAD	2
8	20903	SPACER-BEARING	1
9	11041	O-RING	2
10	25717	REAR GEAR BOX	1
11	20901	O-RING	1
12	10045	BOLT M12X30	8
13	20705	SKID PLATE REAR	1
14	11208	BOLT M8X12	3
15	11818	BOLT M12X35	4
16	10001	SCREW M5X12	6
17	22235	BRAKE LINE CLAMP SMALL	1
18	22236	BRAKE LINE CLAMP LARGE	1
19	20715	CAP SWINGARM PIVOT	2
20	20709	SWING ARM PIVOT RIGHT	1
21	20708	SEAL	2
22	11012	BEAR	2
23	20706	SEAL-SWINGARM PIVOT	2
24	25099	SWINGARM ASSY	1
25	20717	SWINGARM PIVOT LEFT	1
26	20710	THREADED PIVOT	1
27	25718	AXLE TUBE AND HITCH ASSEMBLY	1
28	21004	RING RETAINER INT	1
29	21005	SPACER	1
30	10808	BEARING BALL DBL SEAL	2
31	26264	RING RETAINER INT	1
32	31008	SPACER-BEARING	1
33	31024	BRAKE HOSE COVER	1
34	21009	SEAL REAR AXLE	1
35	10048	BOLTS M10X1.25X20	3
36	32115	REAR DISC BRAKE	1
37	11040	O-RING	1
38	21012	HUB BRAKE DISC MACH	1
39	10050	NUT M10X1.25	3
40	10031	NUT M12	3
41	10054	WASHER 12	12
42	11488	WASHER 12	12
43	25719	WHEEL HUB ASSY	2

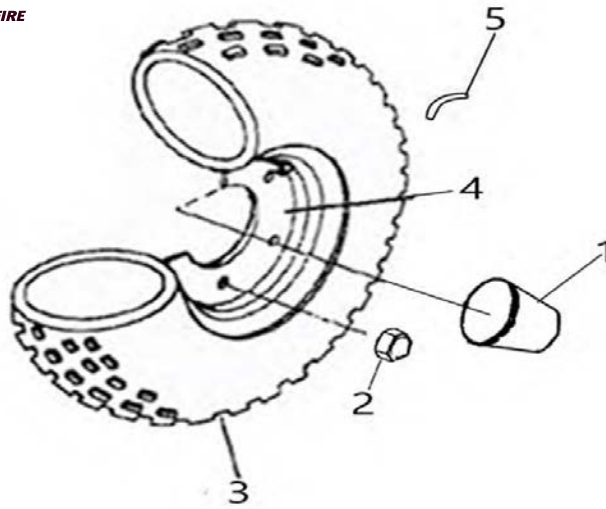
8 WHEEL FRONT (T3 EFI)



No.	PART No.	DESCRIPTION	QTY
1	26289	WHEEL FRONT (IRON AND BLACK)- IRON(C)	2
1	20809R	WHEEL FRONT (IRON AND BLACK WITH RED)-IRON(D)	2
1	25101	WHEEL FRONT(ALUMINIUM)-ALLOY(E)	2
1	25358	WHEEL FRONT(ALUMINIUM)-ALLOY(F)	2
1	25386	WHEEL FRONT(ALUMINIUM)-ALLOY(G)	2
2	20808	TIRE FRONT (MARK IN "DURO"274)	2
2	25353	TIRE FRONT (MARK IN "DURO" P350)	2
2	25790	TIRE FRONT (MARK IN "DURO" P306)	2
7	20807	VALVE.RIM (PVR70)(FOR IRON WHEEL)	4
7	20807a	VALVE , RIM (TR412)(FOR ALUMINIUM WHEEL)	4
8	70721	BOLT SLOTTED	4
9	70722	WASHER	2
10	26267	PIN 4X32	2
11	11510	LUG NUT M10X1.25 (BLACK FOR IRON)	8
11	11375	LUG NUT M10X1.25(WHITE FOR ALUMINIUM)	8
12	70717	CAP, WHEEL CENTER	2

9 WHEEL REAR (T3 EFI)

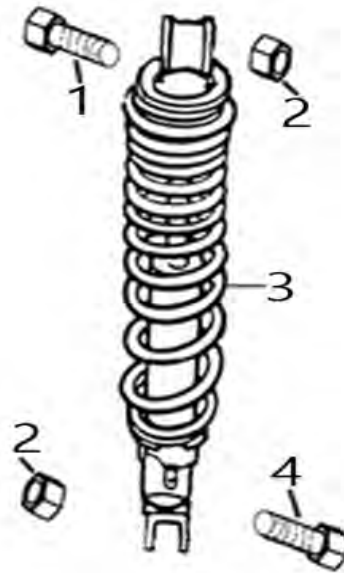
CROSSFIRE
MOTORCYCLES



No.	PART No.	DESCRIPTION	QTY
1	21014	AXLE CAP	2
2	21019	LUG NUT M12X1.25	8
2	27411	LUG NUT M12X1.25	8
3	31020	TIRE REAR (MARK IN "DURO"274)	2
3	25354	TIRE REAR (MARK IN "DURO" P350)	2
	25791	TIRE REAR (MARK IN "DURO" P306)	2
4	21022F	WHEEL REAR (IRON AND BLACK)-IRON(C)	2
4	21022R	WHEEL REAR (IRON AND BLACK WITH RED)-IRON(D)	2
4	21022S	WHEEL REAR (ALUMINIUM)-ALLOY(E)	2
4	25359	WHEEL REAR (ALUMINIUM)-ALLOY(F)	2
4	25385	WHEEL REAR (ALUMINIUM)-ALLOY(G)	3
5	20807a	VALVE.RIM	1

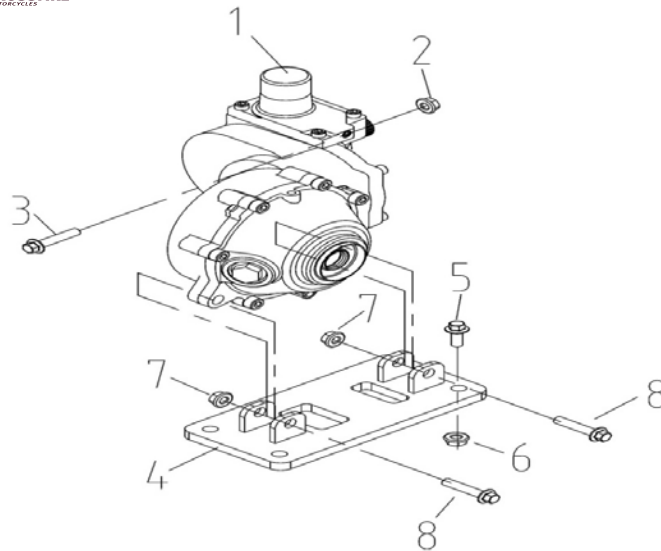
10 REAR SHOCK ABSORBER (T3 EFI)

CROSSFIRE
MOTORCYCLES



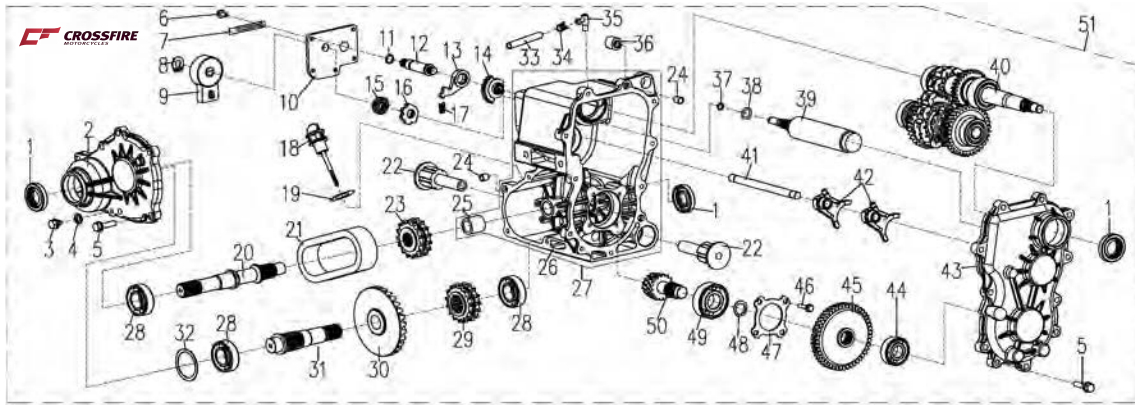
No.	PART No.	DESCRIPTION	QTY
1	20906	UP BOLT M10X1.25X57	1
2	10015	NUT M10X1.25	2
3	25104	SHOCK ABSORBER REAR	1
4	20909	DOWN BOLT M10X1.25X60	1

11 FRONT GEARBOX BRACKET (T3 EFI)(FOR 4WD)



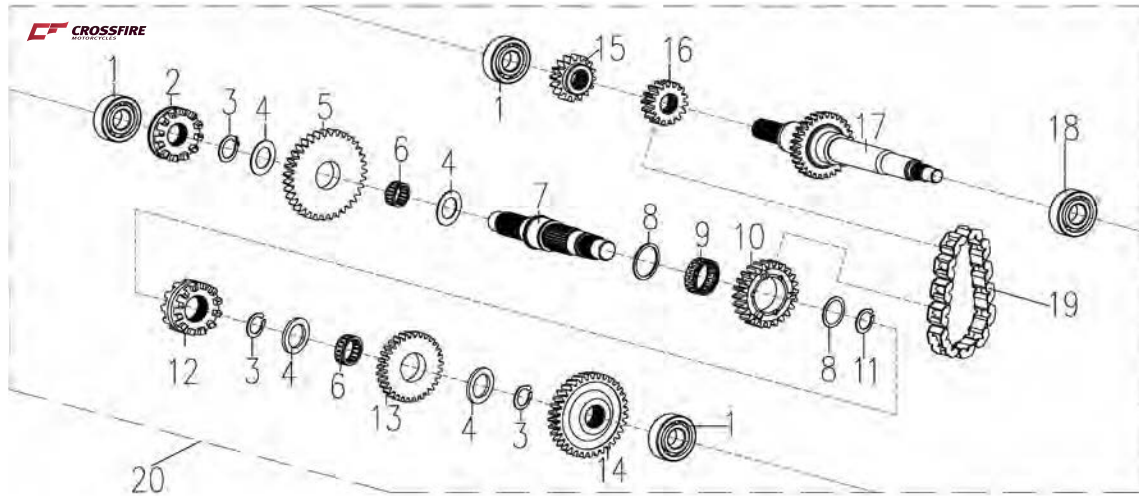
No.	PART No.	DESCRIPTION	QTY
1	24445a	FRONT GEAR-BOX	1
2	11541	NUT M8	1
3	11462	BOLT M8×55	1
4	24438	FRONT GEAR-BOX BACKSTOP	1
5	11823	BOLT M10×1.25×20	4
6	10015	NUT M10×1.25	4
7	11114	NUT M10×1.25	2
8	70073	BOLT M10×1.25×50	2

12 TRANSMISSION (4WD)



No.	PART No.	DESCRIPTION	QTY
1	21201	SEAL 25X47X8	3
2	21468t	FRONT COVER	1
3	21469	DRAIN SCREW	1
4	21470	WASHER	1
5	10060	BOLT M8X28	14
6	11495	BOLT M6×16	5
7	35247	CABLE CLAMP	1
8	10767	CIRCLIP 11	1
9	25723	GEAR SHIFT COMPONENT	1
10	84002	SHIFT COVER	1
11	10737	O-RING 13.2X1.8	1
12	25724	SHAFT, GEAR SHIFT	1
13	84004	STOP SWING LEVER, GEAR SHIFT	1
14	84008	DRIVE GEAR, GEAR SHIFT	1
15	84006	DRIVEN GEAR, GEAR SHIFT	1
16	25725	CAMSHAFT, GEAR SHIFT	1
17	25726	SPRING	1
18	21475	DIPSTICK	1
19	10122	O-RING 18X2.65	1
20	21480	SHAFT FRONT OUTPUT	1
21	25727	CHAIN	1
22	73768	ENGINE MOUNT BUSHING	2
23	25728	DRIVEN SPORCKET	1
24	21104	DOWEL PIN	4
25*	47538	BUSHING	1
26*	25729	GEAR CASE	1
27	#N/A	GEAR CASE ASSEMBLY	1
28	10061	BEARING 6205C3	3
29	25731	DRIVE SPORCKET	1
30	21462	REAR DRIVE GEAR	1
31	25732	REAR OUTPUT SHAFT	1
32	21465	SHIM 1	1
33	21111	VENT	1
34	25107	CLAMP	1
35	47717	BEARING	1
36	2531555	REAR FLEX SLEEVE	1
37	21615	O-RING 9.5X1.8	1
38	84052	O-RING 14.5X3	1
39	25733	DRUM, FORK SHIFT	1
40	25734	MAIN TRANSMISSION ASSEMBLY	1
41	25735	GUIDE SHAFT, SHIFT FORK	1
42	25736	SHIFT FORK	2
43	25737	LEFT COVER	1
44	10062	BEARING 6204	1
45	25656	GEAR HELICAL 46T	1
46	11819	SCREW M6X10	4
47	21351	BEARING RETAINER PLATE	1
48	21453	SNAP RING	1
49	35468	BEARING 6305	1
50	21455	PINION SHAFT 10T	1
51	25738	TRANSMISSION(4WD)	1

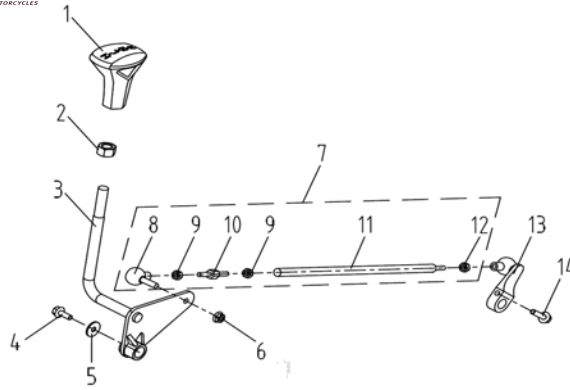
13 MAIN TRANSMISSION ASSEMBLY (1EG-23520-00)



No.	PART No.	DESCRIPTION	QTY
1	10062	BEARING 6204	3
2	21332	ENGAGEMENT	1
3	11505	SNAP RING	3
4	25739	THRUST WASHER 1	4
5	21329	GEAR 35T	1
6	21218	NEEDLE BEARING 25	2
7	25740	SHAFT	1
8	25741	THRUST WASHER 2	2
9	21225	NEEDLE BEARING 25	1
10	21224	SPROCKET 24T	1
11	11383	SNAP RING	1
12	21221	DOG GEAR	1
13	21217	GEAR 31T	1
14	25655	GEAR,HELICAL 35T	1
15	21208	GEAR 16T	1
16	21477	SPROCKET	1
17	25742	INPUT SHAFT	1
18	10732	BEARING 5205 C3	1
19	21207	CHAIN	1
20	25734	MAIN TRANSMISSION ASSEMBLY	1

14 SHIFT ROD (T3 EFI)

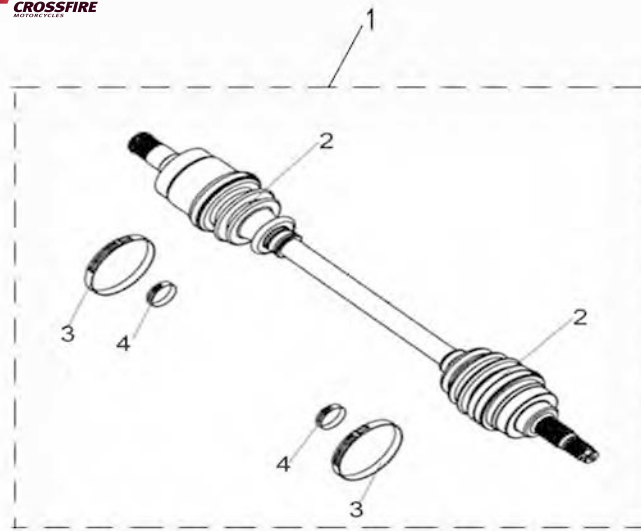
CROSSFIRE
MOTORCYCLES



No.	PART No.	DESCRIPTION	QTY
1	25743	KNOB	1
2	10876	NUT M12	1
3	25744	SHIFTER ASSY MOUNTING	1
4	10716W	BOLT M6X10	1
5	10863	WASHER 6	1
6	11202	NUT M10	1
7	25745	SHIFTER MOUNTING ROD	1
8	21625	SHIFT ROD END CCW	1
9	10090	JAM NUT M6 CW	2
10	21619	SHIFT ROD COUPLER	1
11	25746	SHIFT ROD	1
12	21624	JAM NUT CCW	1
13	25747	SHIFT LEVER	1
14	10187W	BOLT M6X25	1

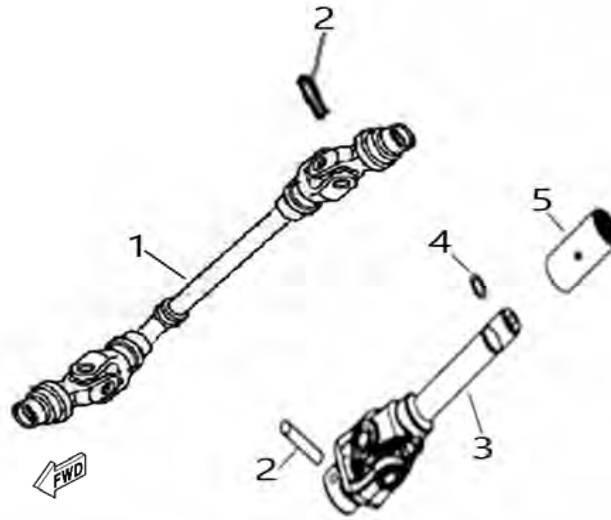
15 FRONT DRIVE AXLE (T3 EFI)(FOR 4WD)

CROSSFIRE
TRUCKS



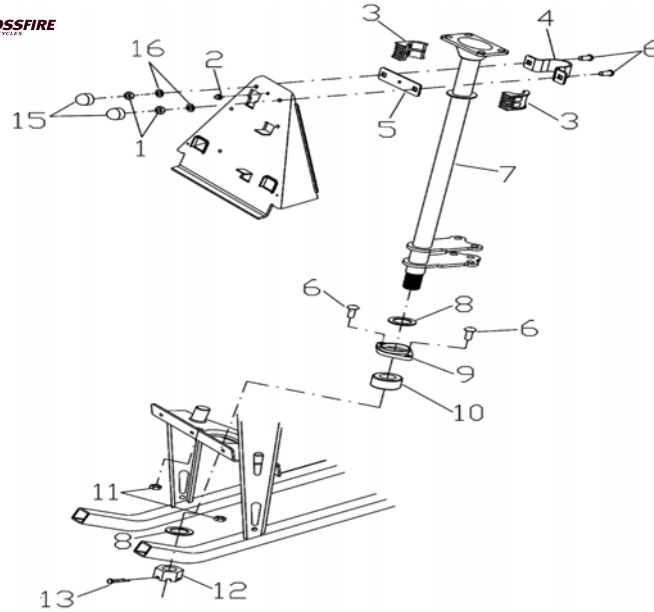
No.	PART No.	DESCRIPTION	QTY
1	25748	FRONT DRIVE AXLE	2
2	24403	OUTER BOARD BOOT	4
3	24404	BOOT BAND B	4
4	24402	BOOT BAND A	4

16 FRONT & REAR KNUCKLE ASSY (T3 EFI)(FOR 4WD)



No.	PART No.	DESCRIPTION	QTY
1	25216	FRONT KNUCKLE	1
2	20716	KERBSTIFTE	2
3	25749	REAR PROPSHAFT ASSY	1
4	11837	O-RING	1
5	20703	COUPLING-PROP SHAFT GREASED	1

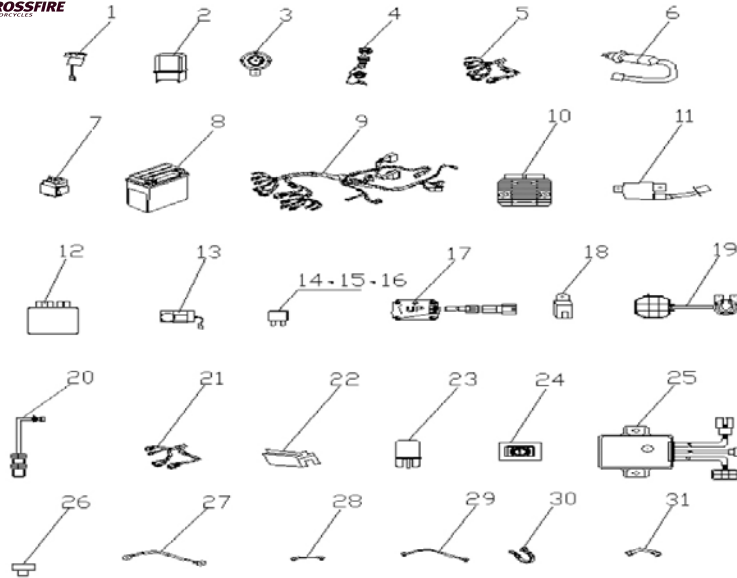
17 STEERING COLUMN (T3 EFI)



No.	PART No.	DESCRIPTION	QTY
1	10880	NUT M8	2
2	10026	GREASE FITTING	1
3	21903	BUSHING	2
4	21904	STEERING CLAMP REAR	1
5	21905	STEERING CLAMP FRONT	1
6	21906	BOLT	4
7	31907S	STEERING COLUMN(NOT USED FOR EPS)	1
8	21909	WASHER	2
9	21910	BEARING RETAINER	1
10	21911	BEARING	1
11	10880	NUT M8	2
12	10100	STEERING COLUMN RETAINER NUT	1
13	11576	COTTER PIN	1
15	27256	PROTECT COVER	2
16	11504	SPRING WASHER	2

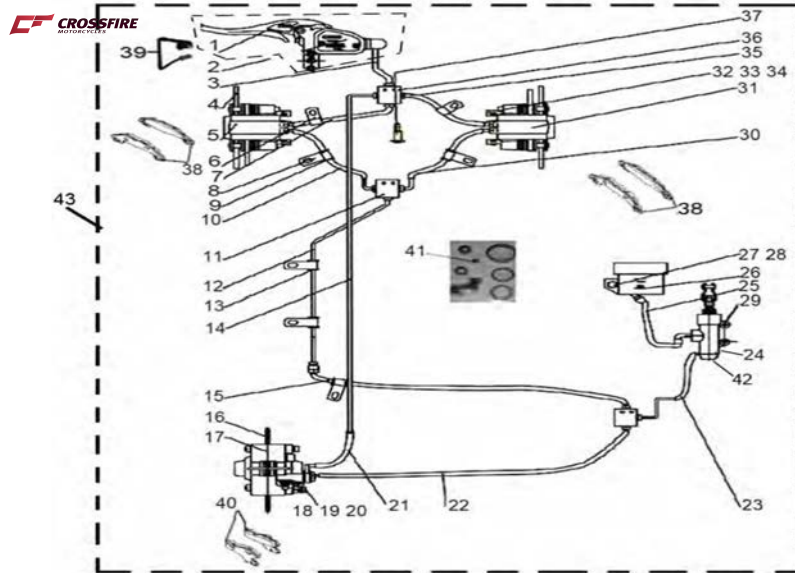
18 ELECTRICAL SYSTEM (T3 EFI)

CROSSFIRE
MOTORCYCLES



No.	PART No.	DESCRIPTION	QTY
1	26456	FLASHER RELAY ASSY (USED FOR STANDARD FRONT AND	1
1	27438	FLASHER RELAY ASSY (USED FOR ORDINARY FRONT AND	1
1	73326	FLASHER RELAY ASSY (USED FOR ORDINARY FRONT TURN	1
2	71474	EFI RELAY	1
3	32029	HORN	1
4	71973	ACCESSORY SOCKET ASSY	1
5	27682	EFI WIRE(ECU:MT05)	1
5	25434	EFI WIRE(ECU:SE08)	1
6	70405a	BRAKE SWITCH (USED FOR WATERPROOF PLUG IN UNIT)	1
7	71602	STARTER RELAY	1
8*	25337	BATTERY	1
9	25750	WIRING HARNESS (FOR T3 EFI)	1
10	71603	REGULATOR RECTIFIER	1
11	70822D	IGNITION COIL	1
12	25363a	ECU(MT05.2)	1
12	25430	ECU (SE08 NO SPEED LIMIT)	1
12	25431	ECU (SE08 SPEED LIMIT 40km/h)	1
12	25432	ECU (SE08 SPEED LIMIT 42km/h)	1
12	25433	ECU (SE08 SPEED LIMIT 60km/h)	1
12	25329	ECU(MT05.2)(SPEED LIMIT 43)	1
12	25330	ECU(MT05.2)(SPEED LIMIT 40)	1
12	25360a	ECU(MT05.2)(SPEED LIMIT 60)	1
13	32038	REVERSE GEAR WARNING	1
14	22020	15 AMP FUSE	3
15	22021	5 AMP FUSE	1
16	84273	10 AMP FUSE	2
17	70968	ELECTRICAL DUMPAGE SWITCH (MATCH WITH ECU)	1
17	72278	ELECTRICAL DUMPAGE SWITCH (MATCH WITH ECU(MT05.2))	1
18	35656	START RELAY (NEW)(CONTROL HIGH BEAM AND DIPPED	3
19	84432	TRAILER CONNECTOR	1
20	25601	GEAR SENSOR 1a (FIX AT TRANSMISSION)	1
21	37107	GEAR SENSOR HARNESS (USED WITH GEAR SENSOR 1a)(EFI)	1
22	35907	STARTER RELAY SHIELD	1
23	50280	OIL PUMP RELAY (ECU : SE08)	1
24	25298	BRAKE FLUID INDICATOR	1
25	25436	2WD/4WD MOTOR CONTROLLER	1
26	26272	PROTECTOR	2
27	25751	Starting motor positive line	1
28	25752	BATTERY CABLE POSITIVE	1
29	25753	BATTERY CABLE GROUND	1
30	72301	TIE	20
31	22018	BATTERY BELL	1

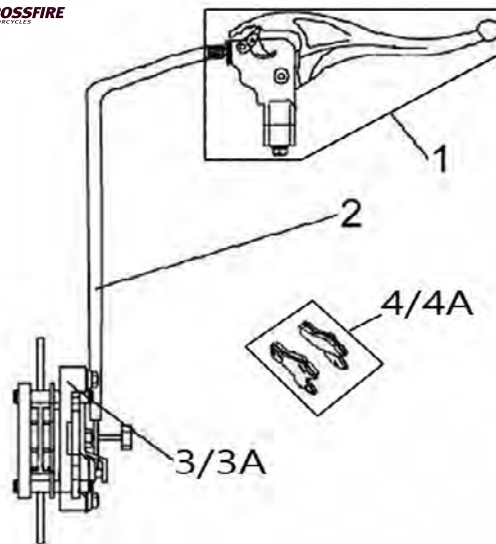
19 BRAKING SYSTEM (T3 EFI)



No.	PART No.	DESCRIPTION	QTY
1	2211120	BRAKE LEVER L	1
2	22101	MASTER CYLINDER	1
3	22102	HAND BRAKE HOSE	1
4	25754	FRONT BRAKE DISC	2
5	25755	BRAKE CALIPER LEFT	1
6	21811	CLAMP	2
7	22229	FRONT BRAKE HOSE 2	1
8	32104	CLAMP	5
9	32105	RUBBER TUBE1	3
10	25269	FRONT BRAKE HOSE1	1
11	25270	BRAKE LINE COUPLER	2
12	32108	TUB DISKBRAKE FRONT	1
13	32109	RUBBER TUBE2	2
14	22103	REAR BRAKE HOSE	1
15	25121	FRONT BRAKE HOSE	1
16	32115	REAR DISC BRAKE	1
17	22105	REAR BRAKE CALIPER	1
18	25411	BOLT M10X1.25X83	2
19	10015	NUT M10X1.25	2
20	11486	WASHER 10	2
21	25240	REAR BRAKE HOSE 2	1
22	25242	REAR BRAKE HOSE 3	1
23	25122	FOOT BRAKE HOSE	1
24	25265	REAR BRAKE CYLINDER	1
25	25262	RESERVOIR HOSE	1
26	25299	RESERVOIR	1
27	11563	NUT M5	1
28	11046	BOLT M5X12	1
29	11459	BOLT M6X20	2
30	25225	FRONT BRAKE HOSE2	1
31	25756	BRAKE CALIPER RIGHT	1
32	25420	BOLT M8X25	4
33	11490	WASHER 8	4
34	11557	WASHER 8	4
35	22228	FRONT BRAKEHOSE 1	1
36	22230	BRAKE LINECOUPLER	1
37	25423	SCREW M5X15	6
38	22245	INSIDE/OUTSIDE PAD (FOR FRONT BRAKE CALIPER)	2
39	48323	STORP SWITCH FRONT	1
40	22111	INSIDE/OUTSIDE PAD (FOR REAR BRAKE CALIPER)	1
41	32252	ZJ E2 Service Kit (FOR EUROPE)	1
42	35868	FOOT BRAKE PUMP CONNECTION BOLT	1
43	25757	BRAKING SYSTEM	1

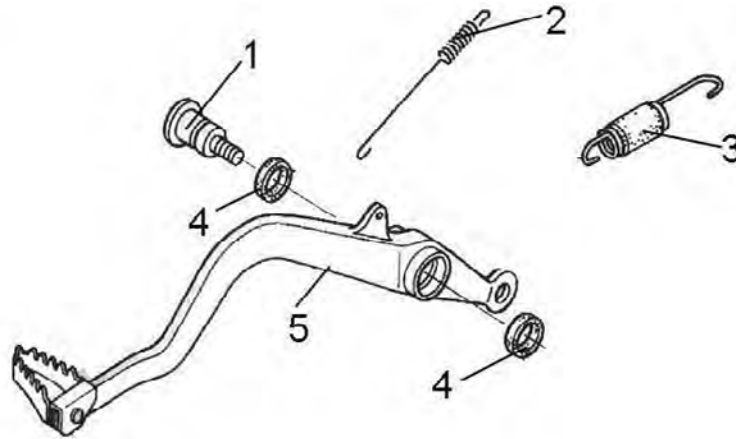
20 AUXILIARY BRAKE (T3 EFI)

CROSSFIRE
MOTORCYCLES



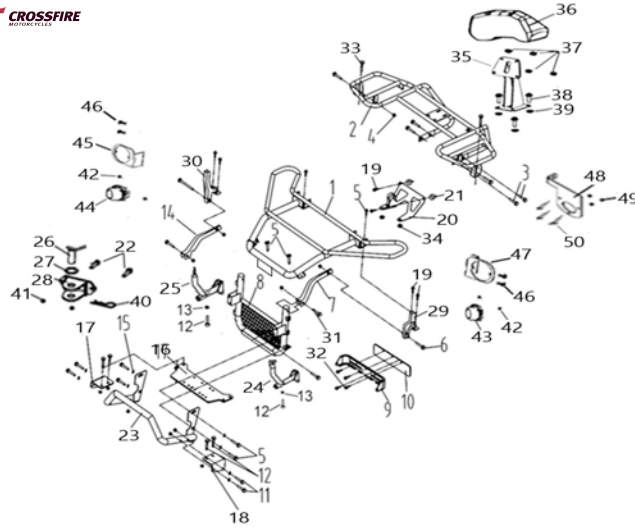
No.	PART No.	DESCRIPTION	QTY
1	70636	MASTER CYLINDER(WITH LEVER)	1
2	25138	BRAKE CABLE	1
3	25139	BRAKE CALIPER	1
3A	25758	BRAKE CALIPER (YM)	2
4	25141	INSIDE AND OUTSIDE PAD	1
4A	25759	INSIDE AND OUTSIDE PAD (YM)	1

21 PEDAL, BRAKE (T3 EFI)



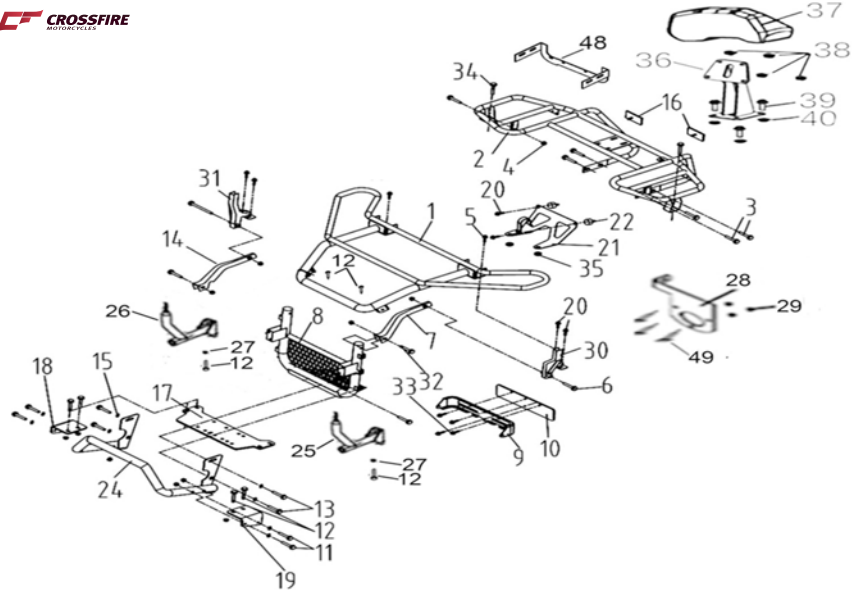
No.	PART No.	DESCRIPTION	QTY
1	70457	SHAFT,BRAKE PIVOT	1
2	32246	SPRING,STOP SWITCH	1
3	23408	SPRING ASSY	1
4	70460	DUST SEAL	2
5	25146	PEDAL BRAKE	1

22A BUMPER & RACK (-PROMAX) (T3 EFI)



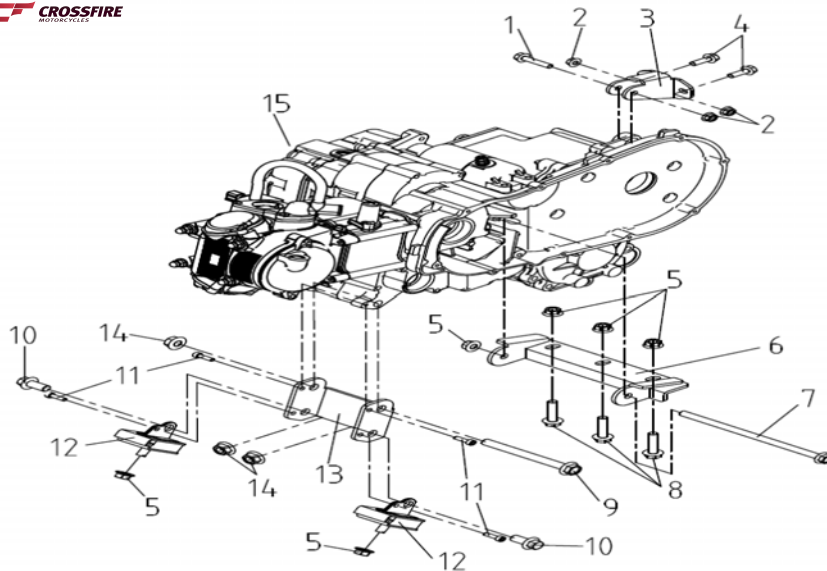
No.	PART No.	DESCRIPTION	QTY
1	38234	FRONT RACK	1
2	25654	REAR RACK	1
3	11101	BOLTM8X45	4
4	10882	NUT M8	18
5	11102	BOLT M8X25	4
6	11103	BOLT M8X85	2
7	27440	TRESTLE 1 LEFT	1
8	38215	BUMPER BRACKET	1
9	20413	DOWN BRACKET RADIATOR	1
10	20414	SPACER RUBBER	1
11	10780	BOLT M8X55	6
12	10783	BOLT M8X20	4
13	26009	WASHER 8	2
14	27442	TRESTLE 1 RIGHT	1
15	26009	WASHER 8	8
16	35848	BRACKET,PULLING	1
17	27387	HOLDER,R.PULLIN BRACKET	1
18	27386	HOLDER,L.PULLIN BRACKET	1
19	10140B	BOLT M6X12	6
20	27793	UP BRACKET RADIATOR	1
21	20316	RUBBER PAD	2
22	10934	SCREW M16X42	2
23	27443	FRONT BUMPER	1
24	25788	FRONT RACK SUPPORT TUBE,L	1
25	25789	FRONT RACK SUPPORT TUBE,R	1
26	84235	EX REACTION PINS	1
27	84231	CUSHION RUBBER, FOTMER DRAG HOOKS	1
28	84234	FOTMER DRAG HOOKS	1
29	25760	TRESTLE L	1
30	25761	TRESTLE R	1
31	10403	BOLT M8X50	2
32	11539	BOLT M6X25	8
33	11105	BOLT M6X35	2
34	22917	RADIATOR SIDE SUPT GROMMET	2
35	35384	REAR BACKREST WELD ASSEMBLY	1
36	35721	BACKREST (SKIN TYPE)	1
37	10919	NUT M8	4
38	10059	BOLT M8X25	4
39	11455	NUT M8	4
40	10862	R TYPE SPLIT PINS 6X115	1
41	10874	NUT M16	2
42	11711	NUT M5	4
43	83365	FRONT INDICATOR LIGHT L	1
44	83364	FRONT INDICATOR LIGHT R	1
45	25762	FRONT INDICATOR LIGHT BRACKET,R	1
46	10183B	BOLT M6X16	4
47	25763	FRONT INDICATOR LIGHT BRACKET,L	1
48	71070	BRACKET,OUTPUT SOCKET	1
49	10109	NUT M5	3
50	10427	SCREW M5X35	3

22B BUMPER & RACK (-PROMAX) (T3 EFI) (OPTION)



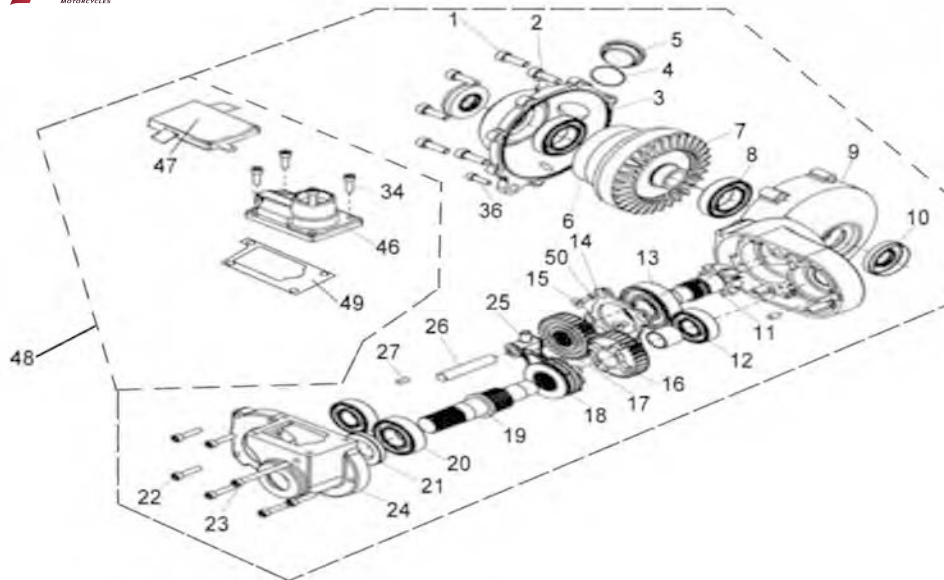
No.	PART No.	DESCRIPTION	QTY
1	38210	FRONT RACK	1
2	25654	REAR RACK	1
3	11101	BOLTM8X45	4
4	10882	NUT M8	18
5	11102	BOLT M8X25	4
6	11103	BOLT M8X85	2
7	27440	TRESTLE 1 LEFT	1
8	27441	BUMPER BRACKET	1
9	20413	DOWN BRACKET RADIATOR	1
10	20414	SPACER RUBBER	1
11	10780	BOLT M8X55	6
12	10783	BOLT M8X20	8
13	10059	BOLT M8X25	6
14	27442	TRESTLE 1 RIGHT	1
15	26009	WASHER 8	8
16	22321	FRONT REFLECTER (RED)	2
17	35848	BRACKET,PULLING	1
18	27387	HOLDER,R.PULLIN BRACKET	1
19	27386	HOLDER,L.PULLIN BRACKET	1
20	10140B	BOLT M6X12	6
21	27793	UP BRACKET RADIATOR	1
22	20316	RUBBER PAD	2
24	27443	FRONT BUMPER	1
24	25788	FRONT RACK SUPPORT TUBE,L	1
25	25789	FRONT RACK SUPPORT TUBE,R	1
27	26009	WASHER 8	2
28	71070	BRACKET,OUTPUT SOCKET	1
29	10109	NUT M5	3
30	25760	TRESTLE L	1
31	25761	TRESTLE R	1
32	10403	BOLT M8X50	2
33	11539	BOLT M6X25	8
34	11105	BOLT M6X35	2
35	22917	RADIATOR SIDE SUPT GROMMET	2
36	35384	REAR BACKREST WELD ASSEMBLY	1
37	35721	BACKREST (SKIN TYPE)	1
38	10919	NUT M8	4
39	10059	BOLT M8X25	4
40	11455	NUT M8	4
48	25319	REAR PLATE MOUNTING BRACKET	1
49	10427	SCREW M5X35	3

23 ENGINE ASSY (T3 EFI)



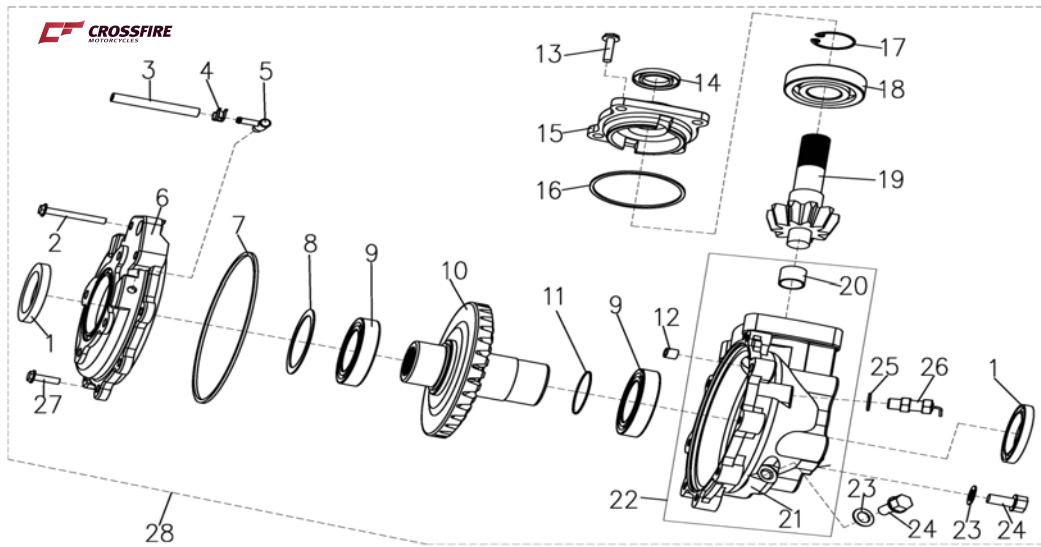
No.	PART No.	DESCRIPTION	QTY
1	10218	BOLT M8X40	1
2	10882	NUT M8	3
3	25764	UP GEARBOX PLATE	1
4	10059	BOLT M8X25	2
5	10015A	NUT M10	4
6	25765	DOWN GEARBOX PLATE	1
7	11348	BOLT M10X210	1
8	70011	BOLT M10X50	3
9	25766	BOLT M12X130	1
10	11506	BOLT M12X25	2
11	10008Y	BOLT M6X20	4
12	35503	ENGINE BUFFER BLOCK	2
13	25767	FRONT ENGINE PLATE	1
14	11480	NUT M10	3
15	25768	ENGINE	1

24 FRONT GEAR-BOX (FOR 4WD)



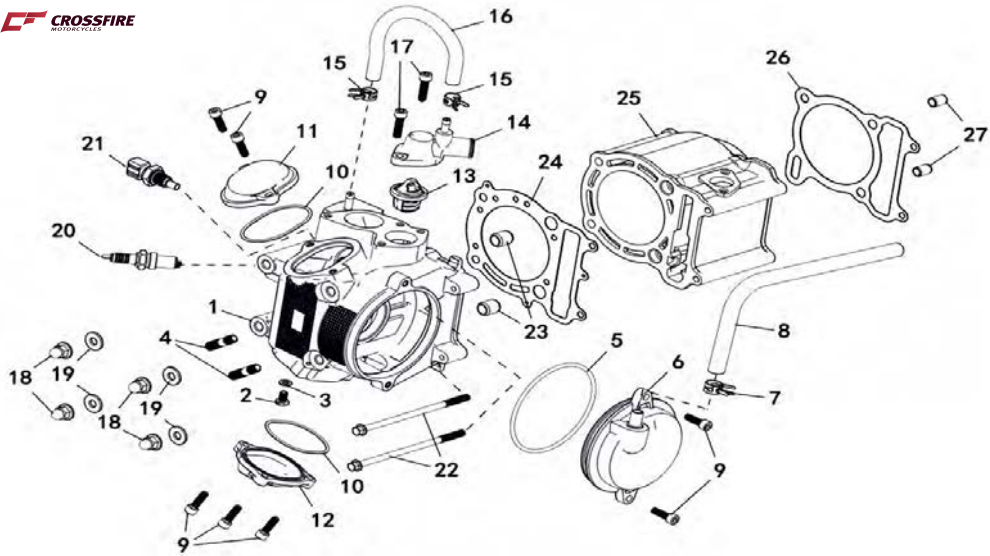
No.	PART No.	DESCRIPTION	QTY
1	11499	BOLT M8X25	7
2	21112	VENT FITTING	1
3	24303A	LEFT COVER	1
4	10122	O-RING 18X2.65	1
5	24305	DIFF FILLERPLUG	1
6	24306	FOC BODY	1
7	24307	BEVEL CROWNWHEEL	1
8	10202	BEAR 6006	2
9	24309	DIFFCASE RHS	1
10	24310	SEAL SDD722X48X11	2
11	24311	CONICAL WITH HELICAL GEARING	1
12	10062	BEAR 6204	2
13	10074	BEAR 6305ST	1
14	24314	CASEBEAR RETAINER	1
15	10287	SCREW M6X12	4
16	24316	DIFF GEAR	1
17	24317	DIFF GEAR DRIVEN	1
18	24318	SPLINED DOG	1
19	24319	DIFF INPUTSHAFT A	1
20	10778	BEAR 6205	1
21	24321	SEAL TC25X47X7	1
22	10182	BOLE M6X30	6
23	11447	BOLE M6X70	1
24	24324	REAR COVER	1
25	24325	DIFF SELECTOR FORK	1
26	24326	SELECTOR RAIL	1
27	24327	PIN	1
34	11463	BOLT M6X16	4
36	11460	BOLT M8X16	1
46	25435	2WD/4WD SHIFT MOTOR	1
47	24447c	2WD/4WD SHIFT ELECTRONIC CONTROLER(WATER PROOF PLUG)	1
48	24445a	FRONT GEAR-BOX	1
49	26005	GASKET	1
50	21453	CIRCLIP 25	1

25 REAR GEAR-BOX



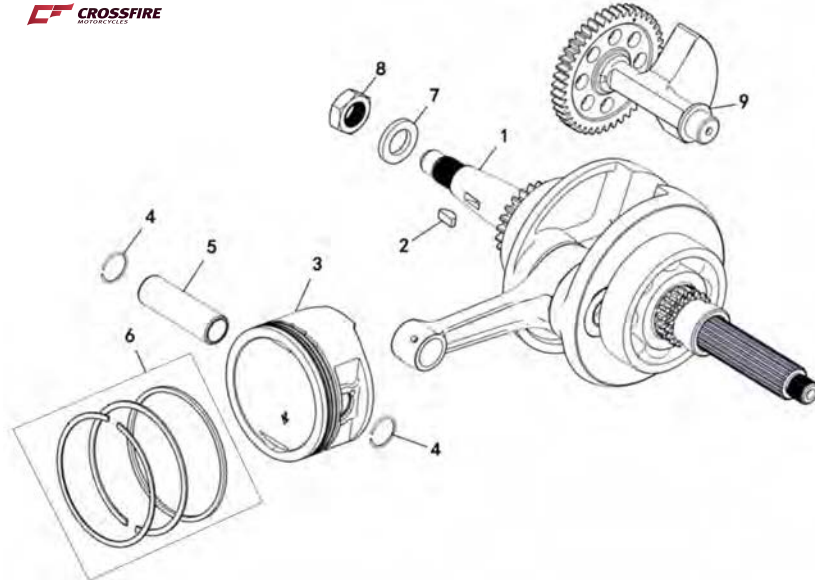
No.	PART No.	DESCRIPTION	QTY
1	21102	SEAL 50X70X8	2
2	10055	BOLT M8X45	2
3	21111	VENT	1
4	25107	CLAMP	1
5	21112	BEARING	1
6	21103	OUTPUT COVER	1
7	21105	O-RING 176X2.65	1
8	21106	SHIM	1
9	10056	BEARING 110	2
10	21110	RING GEAR	1
11	25609	O-RING 35.5X3.55	1
12	21104	DOWEL PIN	1
13	11499	BOLT M8X25	4
14	21124	SEAL 25X35X5	1
15	21122	INPUT COVER	1
16	20901A	O-RING 79X2.65	1
17	21120	RETAINER 30	1
18	10809	BEARING 6306ST	1
19	21118	PINION SHAFT	1
20*	10057	BUSHING P23X20X15	1
21*	25769	DRIVE HOUSING	1
22	25770	DRIVE HOUSING ASM	1
23	21115	WASHER	2
24	21114	OIL PLUG	2
25	83462	WASHER	1
26	25771	SPEED SENSOR	1
27	10060	BOLT M8X28	6
28	25717	REAR GEARBOX ASSY	1

E01 CYLINDER (EFI T3B)



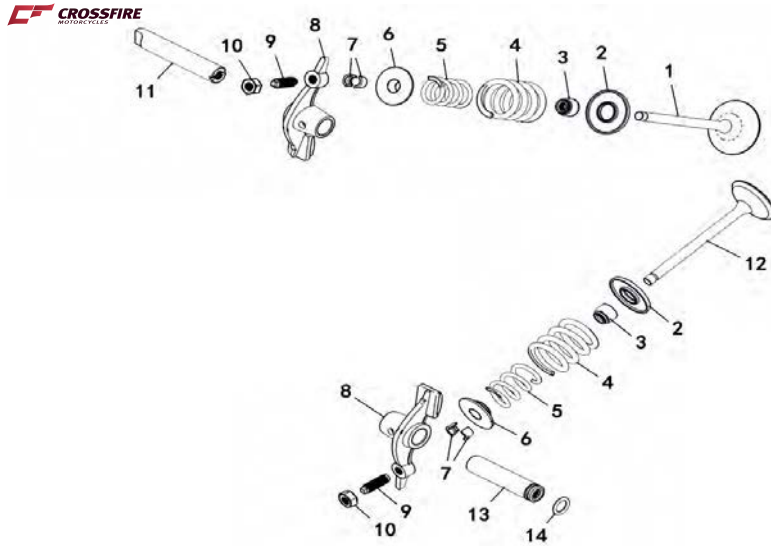
No.	PART No.	DESCRIPTION	QTY
1	25772	CYLINDER HEAD ASSY	1
2	11820	BOLT M6X12	1
3	22810	GASKET 6	1
4	10014	BOLT STUD M8X25	2
5	22408	O-RING 95X3.3	1
6	25604	BREATHER ASSY	1
7	71358	CLIP 13MM	2
8	22423	PIPE BREATHER1	1
9	10008Y	BOLT SOCKET HEAD M6X20	7
10	22412	O-RING 57.5X2.3	2
11	22410	VALVE COVER INTAKE SIDE	1
12	22411	VALVE COVER EXHAUST SIDE	1
13	22901	THERMOSTAT	1
14	22902	THERMOSTAT COVER	1
15	22914	HOSE CLAMP2	2
16	22915	HOSE1	1
17	10085	SOCKET HEAD BOLT M6X25	2
18	22414	NUT CROWN M8	4
19	22415	WASHER PLATE 8	4
20	22419	PLUG SPARK-NGK DR8EA	1
21	35095	WATER TEMPERATURE SENSOR	1
22	11596	BOLT FLANGE M6X130	2
23	22417	PIN DOWEL 14X16	2
24	25773	GASKET CYLINDER HEAD1	1
25	25774	CYLINDER	1
26	22421	GASKET CYLINDER	1
27	22422	PIN DOWEL 10X14	2

E02 CRANKSHAFT COMP



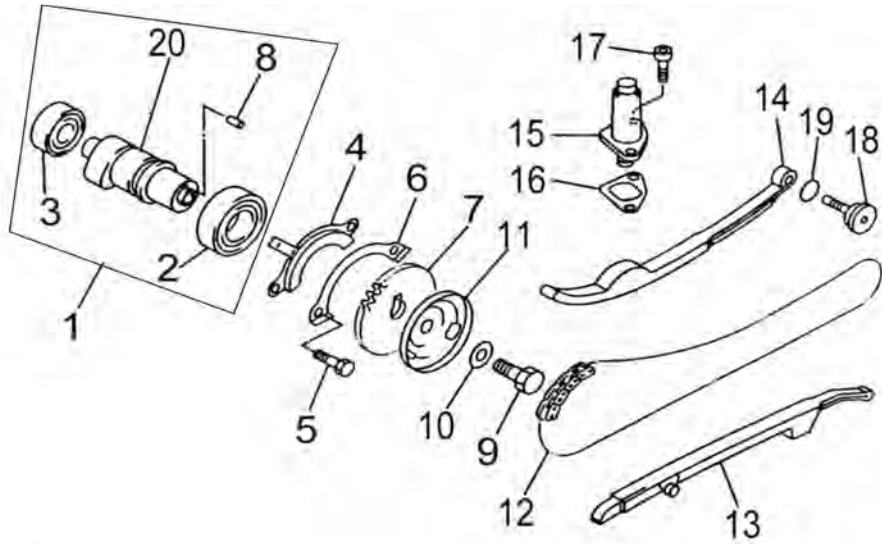
No.	PART No.	DESCRIPTION	QTY
1	25775	CRANKSHAFT ASSY	1
2	22504	KEY WOODRUFF	1
3	25776	PISTON	1
4	22508	CLIP	2
5	25777	PISTON PIN	1
6	25778	PISTON RING ASSY	1
7	22503	WASHER PLATE 16	1
8	22502	NUT M16X1	1
9	25779	BALABCE SHAFT ASSY	1

E03 VALVE



No.	PART No.	DESCRIPTION	QTY
1	22601	INTAKE VALVE	1
2	22603	SEAT SPRING VALVE	2
3	22606	SEAL VALVE STEM	2
4	22605	SPRING VALVE OUTER	2
5	22604	SPRING VALVE INNER	2
6	22607	RETAINER SPRING VALVE	2
7	22608	COTTER VALVE	4
8	22609	ROCKER ARM VALVE	2
9	22613	ADJUSTING SCREW VALVE	2
10	22614	NUT M6X0.75	2
11	22611	INTAKE ROCKER SHAFT	1
12	22602	EXHAUST VALVE	1
13	22610	EXHAUST ROCKER SHAFT	1
14	22612	O-RING 9X2	1

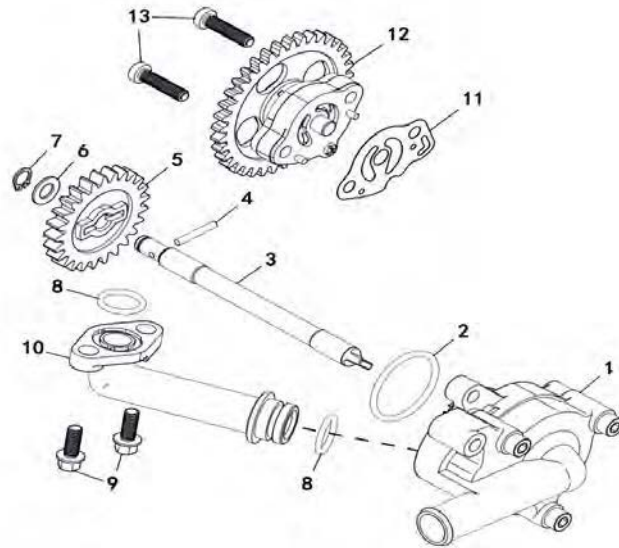
E04 CAMSHAFT CHAIN



CROSSFIRE
MOTORCYCLES

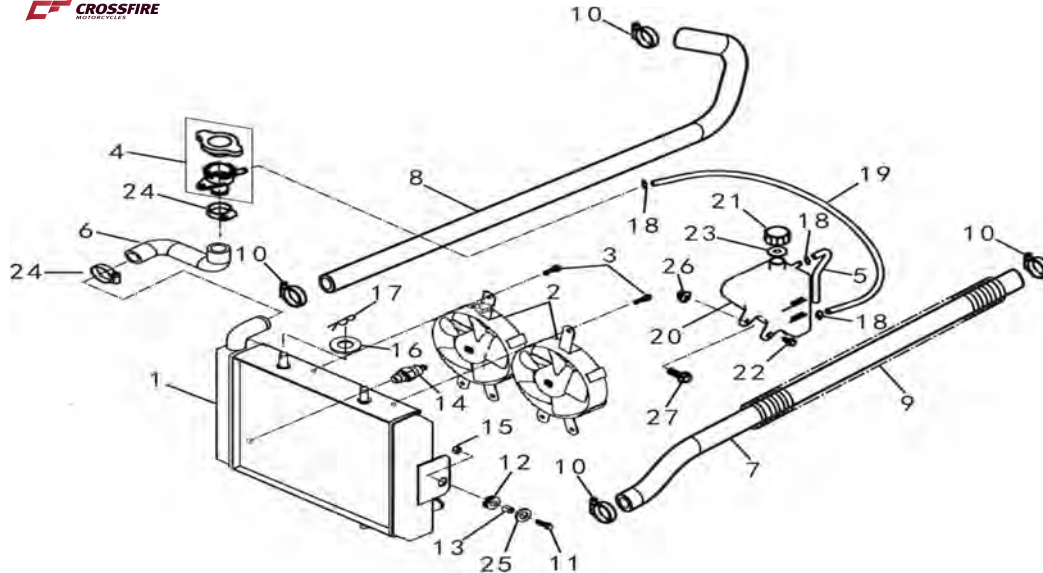
No.	PART No.	DESCRIPTION	QTY
1	22701	CAMSHAFT ASSY1	1
2*	10012	BEARING	1
3*	10013	BEARING(B6202Z)	1
4	22704	PLATE	1
5	11626	BOLT M6X12	2
6	22706	LOCK WASHER	1
7	22707	CAM CHAIN SPROCKET	1
8*	10024	DOWEL PIN B4X10	1
9	10025	BOLT M10X1.25X25	1
10	22710	WASHER PLATE 10	1
11	22711	BREATHER PLATE2	1
12	22712	CHAIN	1
13	22713	GUIDE STOPPER1	1
14	22714	GUIDE STOPPER2	1
15	22715	CAM CHAIN TENSIONER ASSY	1
16	22716	GASKET TENSIONER CASE	1
17	10036	SOCKET HEAD BOLT M6X14	2
18	22718	CHAIN TENSIONER PIVOT BOLT	1
19	22719	O-RING 14.5X1.8	1
20*	22720	CAMSHAFT	1

E05 WATER PUMP & OIL PUMP



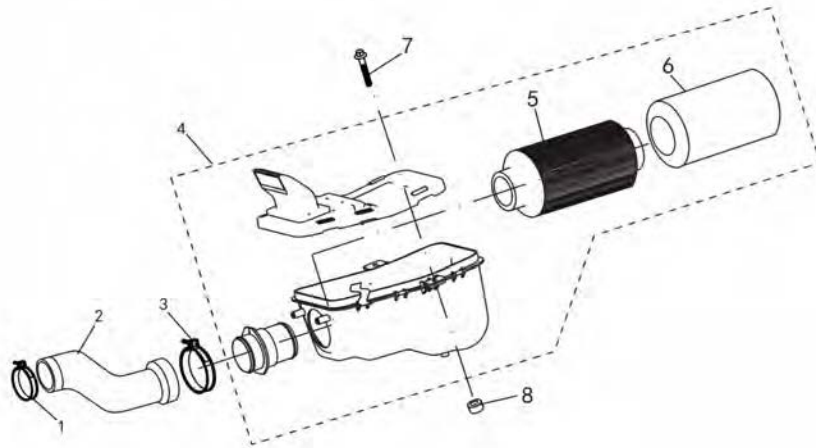
No.	PART No.	DESCRIPTION	QTY
1	22820	WATER PUMP ASSY	1
2	10049	O-RING 33.5X2.65	1
3	22812	SHAFT	1
4	10070	DOWEL PIN C3X22	1
5	22815	IMPELLER SHAFT GEAR	1
6	22814	WASHER PLATE 8	1
7	10072	CIRCLIP 8	1
8	10082	O-RING 15.5X2.5	2
9	11821	BOLT M6X15	2
10	22817a	JOINT (ADC12)	1
11	23107	GASKET	1
12	23101	OIL PUMP ASSY	1
13	11822	SCREW M6X25	2

E06 RADIATOR (EFI T3)



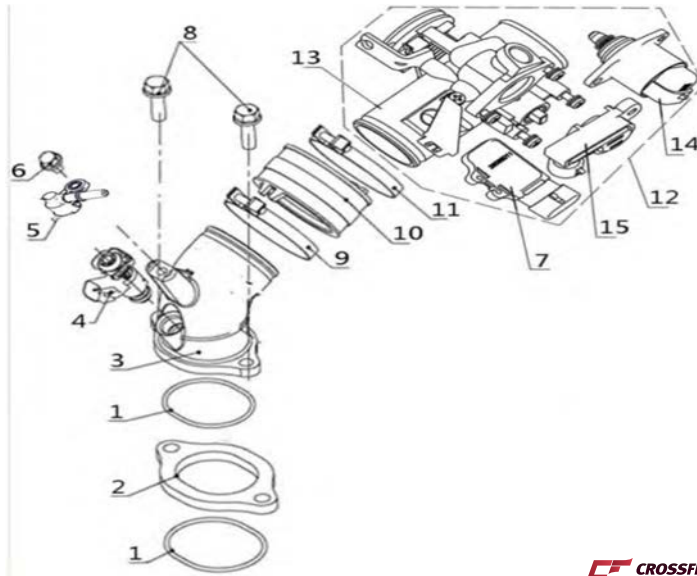
No.	PART No.	DESCRIPTION	QTY
1	22904t	RADIATOR ASSY (THICKER)	1
2	27451	BLOWER ASSY (WATERPROOF PLUG)	2
3	11127	FLANGE BOLT M6X9	6
4	22907a	SAFETY VALVE	1
5	70341	PIPE 2	1
6	22909	RADIATOR FILLER HOSE	1
7	25193	RETURN HOSE	1
8	22911	FEED HOSE	1
9	22912	COMPRESSION SPRING	2
10	70140	CLAMP 16/27	4
11	10110W	BOLT M6X20	2
12	22917	RADIATOR SIDE SUPT GROMMET	2
13	22918	COLLAR	2
14	71932	THERMOSTAT SWITCH ASSYUSED (WATERPROOF PLUG)	1
15	11475	NUT M6	2
16	10019	WASHER PLATE 10	2
17	11555	CLIP 2X20	2
18	22924	CLIP	2
19	70342	PIPE 1	1
20	70340	TANK RECOVERY	1
21	70338	CAP	1
22	10140W	BOLT FLANGE M6X12	1
23	70339	WASHER	1
24	35343	CLAMP 20/32	2
25	11090	WASHER PLATE6	2
26	11475	NUT M6	1
27	10177W	BOLT M6X40	1

E07 AIR CLEANER (EFI T3)



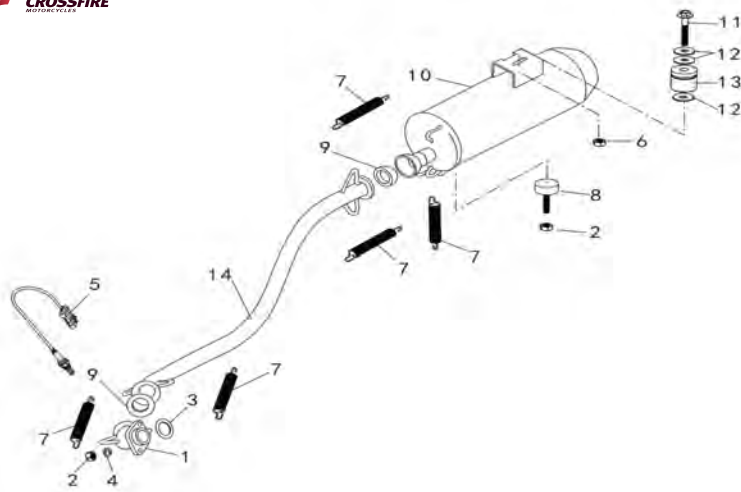
No.	PART No.	DESCRIPTION	QTY
1	27695	HOSE CLAMP C	1
2	27696	AIR CLEANER JOINT	1
3	23208	HOSE CLAMP B	1
4	25334	AIR CLEANER ASSY	1
5	23212	ELEMENT COMP AIR CLEANER	1
6	23213	FILTER COVER	1
7	10182B	BOLT M6X30	1
8	46190	RUBBER WASHER	2

E08 FUEL INJECTION ASSY



No.	PART No.	DESCRIPTION	QTY
1	23202	O-RING 35X2	2
2	27225	JOINT	1
3	25780	FEED HOSE	1
4	27698	INJECTOR	1
5	38320	INJECTOR CAP	1
6	10183W	BOLT M6X16	1
7	11444	BOLT M6X25	2
8	27901	CLIP 49	1
9	27902	JOINT,FEED HOSE	1
10	27903	CLIP 53	1
11	27857	THROTTLE BODY ASSEMBLY	1
12	25657	THROTTLE BODY	1
13	35930	THROTTLE STEPPER MOTOR	1
14	25658	THROTTLE POSITION SENSOR	1
15	25659	TEMPERATURE PRESSURE SENSOR	1

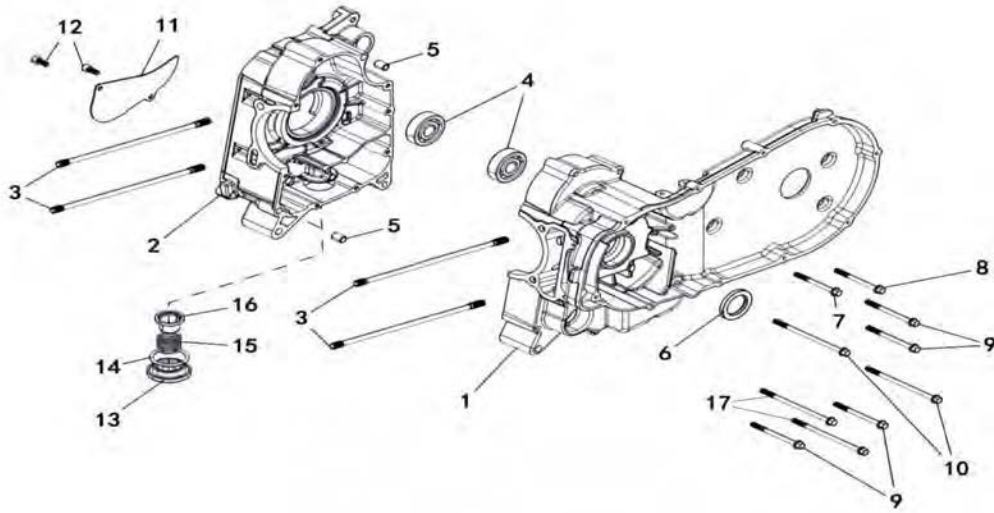
E09 EXHAUST (EFI T3)



No.	PART No.	DESCRIPTION	QTY
1	25792	EXHAUST SHORT PIPE	1
2	11455	NUT M8	4
3	23403	EXHAUST PIPE GASKET	1
4	11490	WASHER 8	2
5	70826	SENSOR	1
6	11287	NUT M10X1.25	1
7	23408	SPRING	5
8	25202	MUFFLER SUPPORT BOTTOM	1
9	27911	JOINT	2
10	25203	MUFFLER	1
11	10120d	BOLT FLANGE M10X1.25X62	1
12	11035	WASHER PLATE 10	2
13	35344	MUFFLER SUPPORT	1
14	25793	EXHAUST LONG PIPE	1

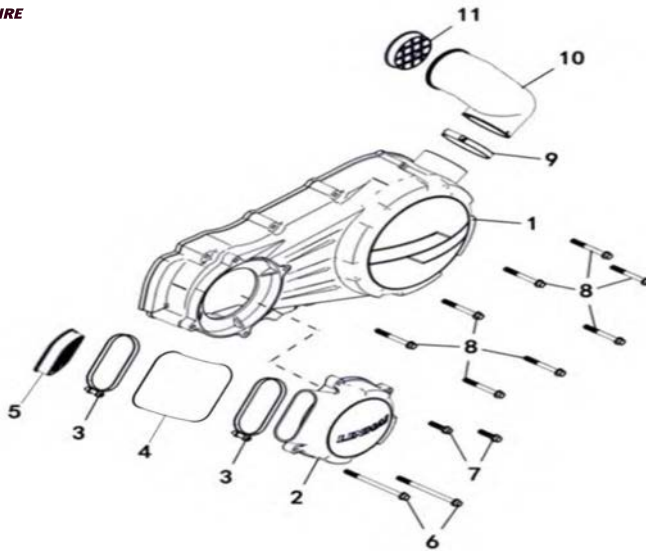
E10 CRANKCASE

CROSSFIRE
MOTORCYCLES



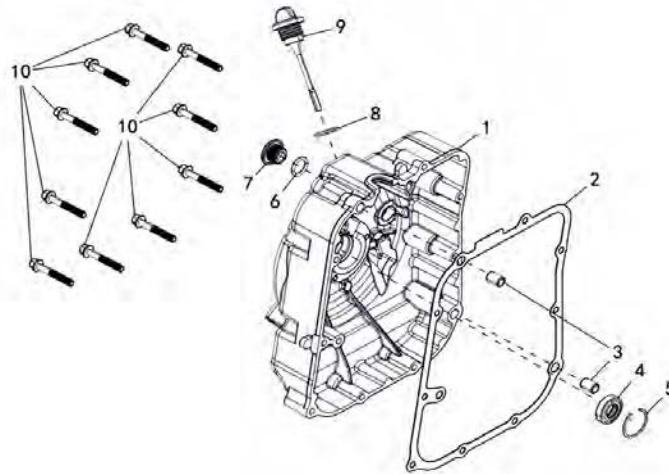
No.	PART No.	DESCRIPTION	QTY
1	25781	LEFT CRANKCASE	1
2	25782	RIGHT CRANKCASE	1
3	23511	STUD BOLT M8X253.6	4
4	10846	BEARING 6303C3	2
5	22422	PIN DOWEL 10X14	2
6	23510	OIL SEAL 30X45X5	1
7	11587	FLANGE BOLT M6X60	1
8	11824	FLANGE BOLT M6X65	1
9	11825	FLANGE BOLT M6X70	4
10	11826	FLANGE BOLT M6X100	2
11	23512	COVER CRANKCASE RIGHT	1
12	11827	SOCKET HEAD BOLT M6X14	2
13	23111	DRAIN PLUG	1
14	23112	O-RING 36X3.5	1
15	23110	COMPRESSION SPRING	1
16	23109	OIL STRAINER	1
17	11828	FLANGE BOLT M6X105	2

E11 LEFT COVER



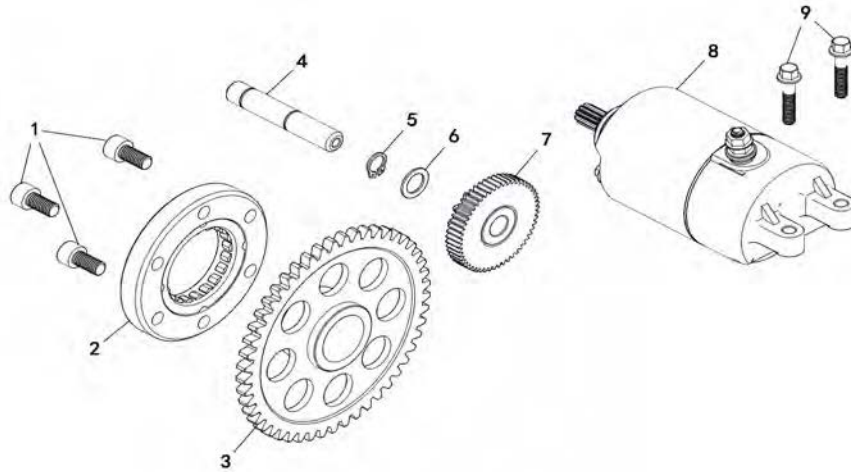
No.	PART No.	DESCRIPTION	QTY
1	47525	LEFT CRANKCASE COVER	1
2	47526	FRONT COVER	1
3	23608	HOSE CLAMP A	1
4	25783	JOINT B	1
5	23606	AIR STRAINER A	1
6	11007	FLANGE BOLT M6X95	2
7	11539	FLANGE BOLT M6X25	2
8	10918	FLANGE BOLT M6X55	8
9	23603	HOSE CLAMP B	1
10	23604	JOINT A	1
11	23605	AIR STRAINER B	1

E12 RIGHT COVER



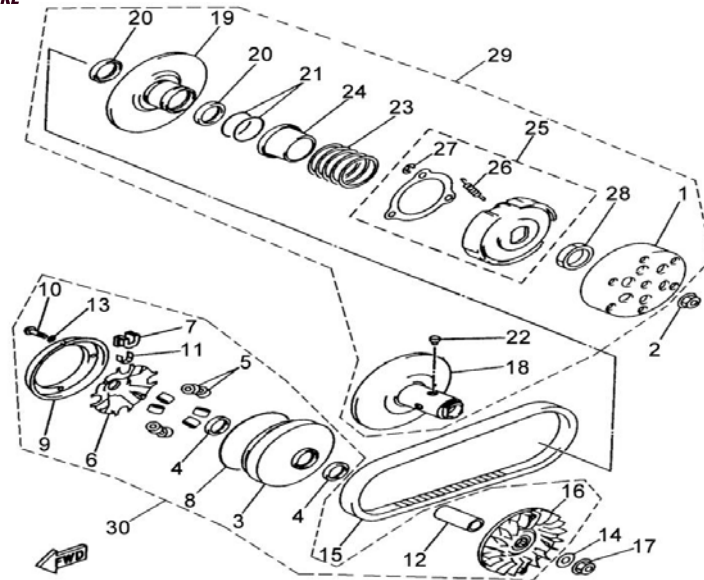
No.	PART No.	DESCRIPTION	QTY
1	47527	RIGHT CRANKCASE COVER	1
2	47528	RIGHT CRANKCASE COVER GASKET	1
3	22422	PIN DOWEL 10X14	2
4	23609	OIL SEAL14X27X6	1
5	27644	CLIP 27	1
6	10123	O-RING 14X2.65	1
7	23613	OBSERVED COVER	1
8	10122	O-RING 18X2.65	1
9	23611	OIL PLUG	1
10	11829	FLANGE BOLT M6X40	10

E13 STARTER



No.	PART No.	DESCRIPTION	QTY
1	10749	SOCKET HEAD BOLT M8X16	3
2	23706	STARTER CLUTCH	1
3	23705	GEAR REDUCTION	1
4	23702	SHAFT	1
5	11458	CIRCLIP 12	1
6	23703	WASHER 12	1
7	23701	GEAR IDLER	1
8	47531	STARTING MOTOR ASSY	1
9	10187W	FLANGE BOLT M6X40	2

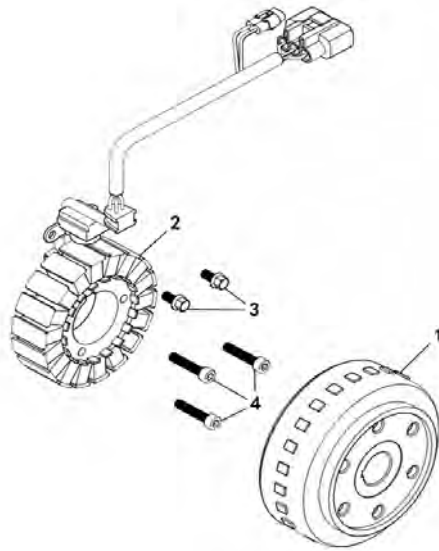
E14 CLUTCH



No.	PART No.	DESCRIPTION	QTY
1	25614	CLUTCH HOUSING COMP.	1
2	46191	NUT M14X1	1
3	27460	PRIMARY SLIDING SHEAVE COMP	1
4	23804	OIL SEAL	2
5	27461	WEIGHT	8
6	25615	CAM	1
7	27463	SLIDER	4
8	27464	O-RING 115X2.5	1
9	27465	STOPPER	1
10	11784	PAN HEAD SCREW M5X12	4
11	27466	SPACER 1	4
12	25616	COLLAR	1
13	23813	WASHER PLATE 4	4
14	47534	WASHER PLATE 14	1
15	23815	V-BELT (LOGO "MITSUBOSHI")	1
15	23817	V-BELT (LOGO "GATES") (USED FOR EXCEPT FRANCE, GERMANY CUSTOMERS)	1
16	25618	SHEAVE PRIMARY FIXED	1
17	46191	NUT M14X1	1
18	27469	SECONDARY FIXED SHEAVE COMP.INCLUDE TWO BEARINGS ONE OIL SEAL AND ONE CIRCLIP	1
19	27470	SECONDARY SLIDING SHEAVE	1
20	23820	OIL SEAL47X41X4	2
21	27471	O-RING 46.2X2	2
22	27472	PIN GUIDE	4
23	27473	COMPRESSION SPRING	1
24	27474	SEAT SECONDARY SPRING	1
25	25619	CLUTCH CARRIER ASSY	1
26	25643	CLUTCH WEIGHT SPRING 1	3
27	10133	CIRCLIP 8	3
28	23928	NUT M36X1.5	1
29	25620	DRIVEN ASSY COMPLETE	1
30	25621	DRIVE ASSY COMPLETE	1

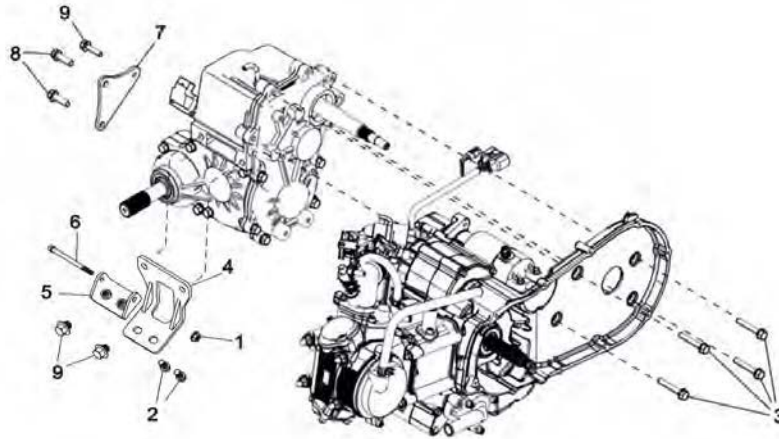
E15 GENERATOR (EFI T3)

CROSSFIRE
MOTORCYCLES



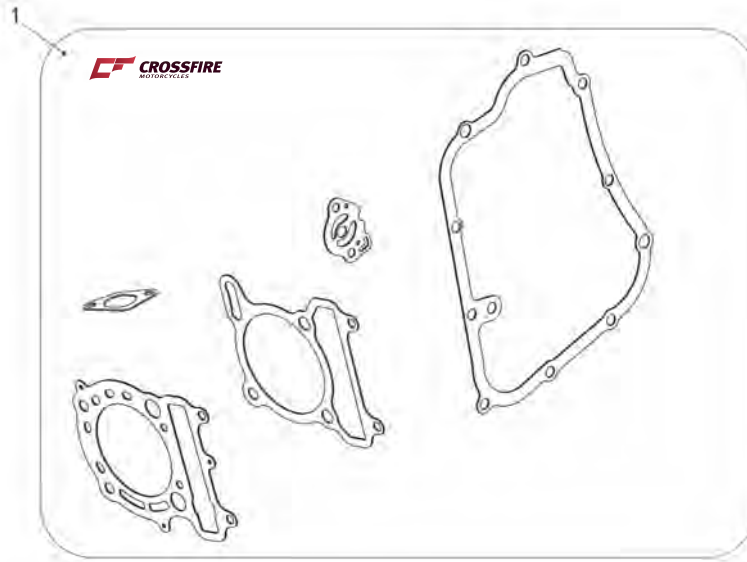
No.	PART No.	DESCRIPTION	QTY
1	47529	ROTOR ASSY	1
2	47530	STATOR ASSY	1
3	11827	BOLT M6X12	2
4	11633	SOCKET HEAD BOLT M6X30	3

E16 ENGINE & TRANSMISSION ASSY



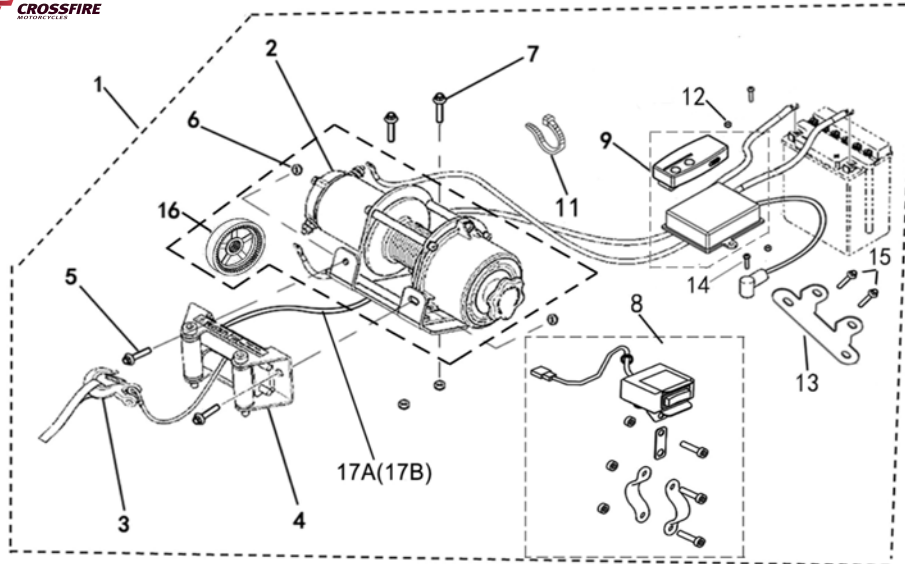
No.	PART No.	DESCRIPTION	QTY
1	11834	JAM NUT(RIGHT)	1
2	11835	BOLT M10X1.25X28	2
3	11830	BOLT M8X55	4
4	25785	ENGINE CONNECTING PLATE 1	1
5	25786	ENGINE CONNECTING PLATE 2	1
6	11833	BOLT M12X20	1
7	25784	ENGINE CONNECTING PLATE 3	1
8	11832	BOLT M10X1.25X28	2
9	11831	BOLT M12X20	3

E17 FRAGILE GASKET ASSY



No.	PART No.	DESCRIPTION	QTY
1	25787	GASKET ASSY	1
1	25773	GASKET CYLINDER HEAD1	1
	22421	GASKET CYLINDER	1
	22716	GASKET TENSIONER CASE	1
	47528	RIGHT CRANKCASE COVER GASKET	1
	23107	GASKET	1

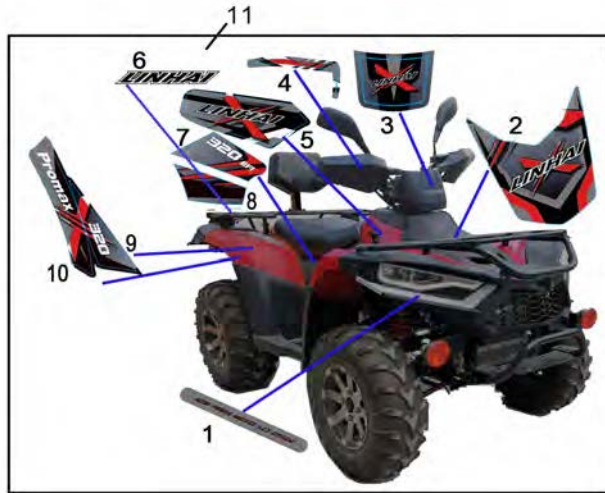
E18 WINCH



No.	PART No.	DESCRIPTION	QTY
1	73543	TRACTOR ASSY	1
2	73544	TRACTOR	1
3	73545	TOW HOOK	1
4	73546	SLIDEWAY	1
5	11492	HEXAGON FLANGE BOLT M8×20	2
6	10794	PREVAILING TORQUE TYPE ALL-METAL HEXAGON NUT M8	4
7	11466	HEXAGON FLANGE BOLT M8×25	2
8	36492	SWITCH	1
9	80483	CONTROLLER AND REMOTE CONTROL (ORDER WITH REMOTE CONTROL (4CF-77533-00))(LENGTH OF THE POSITIVE WIRE CONNECTING THE POWER SUPPLY IS 1350MM)	1
11	11334	TIE	1
12	11711	NUT 5	2
13	37126	CONTROLLER BRACKET (FOR T3 EFI)	1
14	11640	BOLT M5×25	2
15	11097	BOLT M6×16(FOR T3 EFI)	2
16	80461	PLATE OF WINCH	1
17A	35943	WIREROPE	1
17B	35944	NYLON ROPE	1

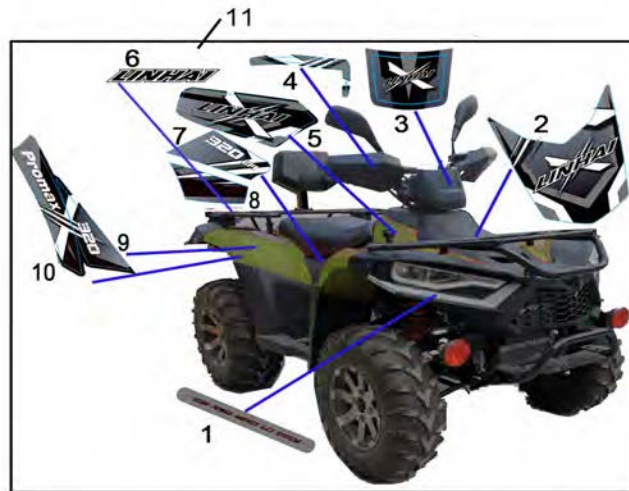
E19 DECALS

1

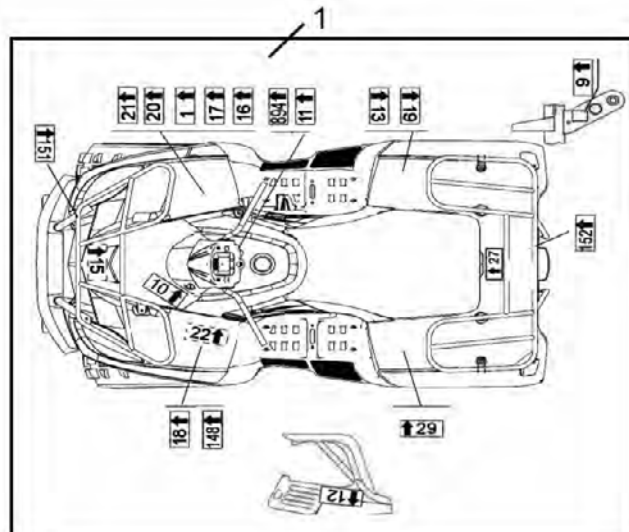


No.	PART No.	DESCRIPTION	QTY
11	80571	DECALS ASSY	1

2



No.	PART No.	DESCRIPTION	QTY
11	80572	DECALS ASSY	1



No.	PART No.	DESCRIPTION	QTY
1	80463	WARNING DECALS ASSY(T3)	1